



US00D944925S

(12) **United States Design Patent**
Stoler

(10) **Patent No.:** **US D944,925 S**
(45) **Date of Patent:** **** Mar. 1, 2022**

(54) **FAUCET SPRAYHEAD**
(71) Applicant: **DELTA FAUCET COMPANY,**
Indianapolis, IN (US)
(72) Inventor: **Benjamin Stoler,** Carmel, IN (US)
(73) Assignee: **DELTA FAUCET COMPANY,**
Indianapolis, IN (US)
(**) Term: **15 Years**

D476,396 S * 6/2003 Hanna D23/238
D476,720 S * 7/2003 Hanna D23/238
D514,665 S * 2/2006 Lindholm D23/238
D532,870 S * 11/2006 Lobermeier D23/238
D534,623 S * 1/2007 Fritz D23/238
D534,625 S * 1/2007 Kemp D23/232
D579,516 S * 10/2008 Hsu D23/223
D609,308 S * 2/2010 Fritz D23/238
D639,909 S * 6/2011 Pendleton D23/226
D645,121 S * 9/2011 Fritz D23/238
D645,943 S * 9/2011 Downey D23/255
D665,877 S * 8/2012 Fritz D23/238
D752,717 S * 3/2016 Eads D23/238

(Continued)

(21) Appl. No.: **29/746,398**
(22) Filed: **Aug. 13, 2020**
(51) **LOC (13) Cl.** **23-01**
(52) **U.S. Cl.**
USPC **D23/226**
(58) **Field of Classification Search**
USPC D23/213, 214, 223, 226, 228, 229, 230,
D23/238, 239, 240, 241, 242, 249, 250,
D23/255, 257
CPC B05B 1/16; B05B 1/1618; B05B 1/18;
B05B 1/185; B05B 15/62; B05B 15/652;
F16K 31/60; F16K 31/607; E03C 1/02;
E03C 1/04; E03C 1/0401; E03C 1/0402;
E03C 1/0404; E03C 1/0405; E03C
1/0408; E03C 1/06; E03C 1/063; E03C
1/066; E03C 2001/0414; E03C
2001/0415; Y10T 137/9464
See application file for complete search history.

(56) **References Cited**
U.S. PATENT DOCUMENTS

5,145,114 A * 9/1992 Monch B05B 1/1618
239/126
5,167,431 A * 12/1992 Maifredi B05B 1/18
285/243
5,361,431 A * 11/1994 Freier E03C 1/0401
137/218
D444,849 S * 7/2001 Hsiao D23/223

OTHER PUBLICATIONS

Delta Faucet Cassidy with Pull Out Sprayer 4197-AR-DST, Apr. 3, 2013, Amazon, site visited Aug. 2, 2021: <https://www.amazon.com/dp/B00CDT9PKC/> (Year: 2013).*

(Continued)

Primary Examiner — Jack Reickel
Assistant Examiner — Bobby W Jones, II
(74) *Attorney, Agent, or Firm* — Nirav D. Parikh; Edgar A. Zarins

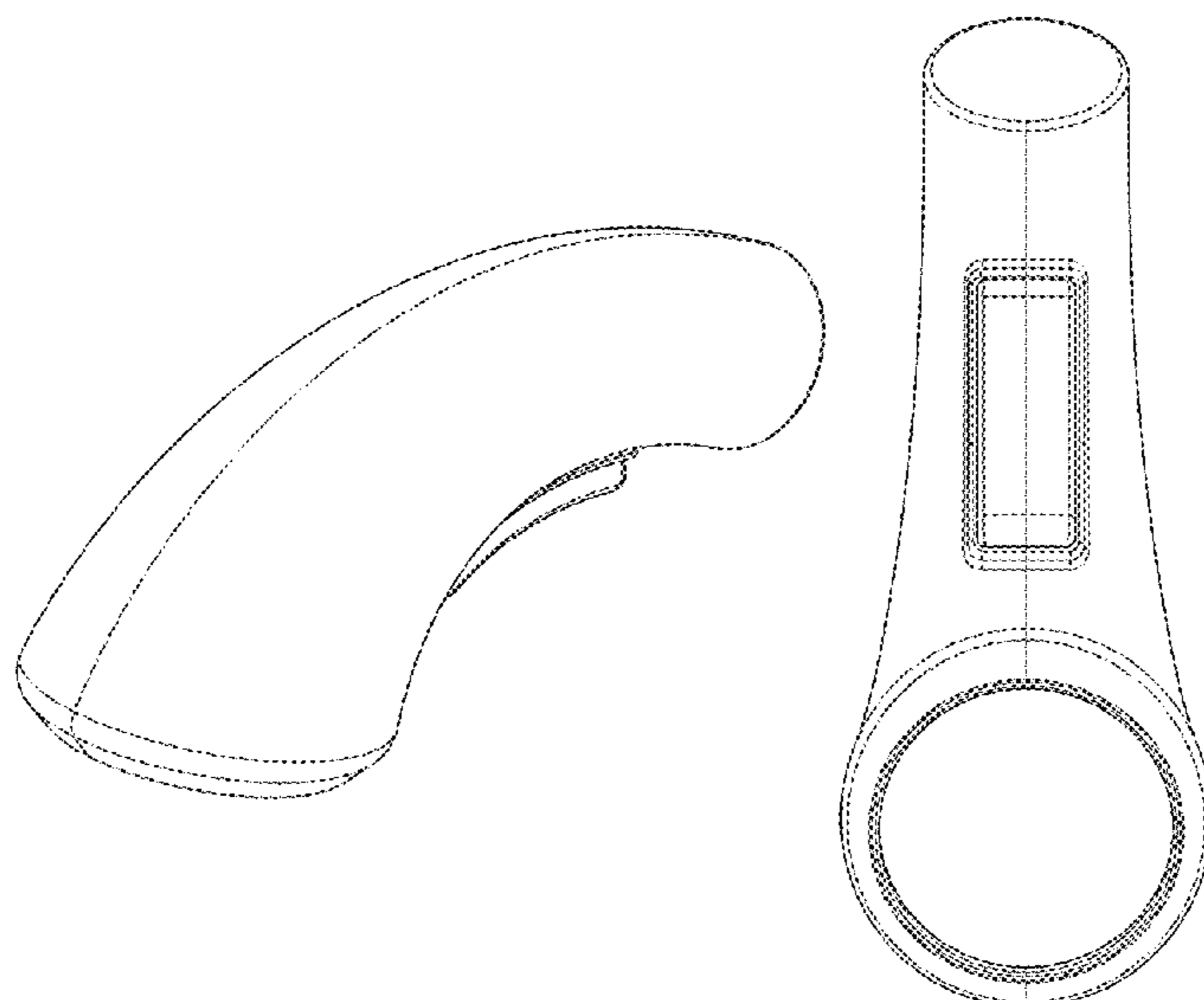
(57) **CLAIM**

The ornamental design for a faucet sprayhead, as shown and described.

DESCRIPTION

FIG. 1 is a front perspective view of a faucet sprayhead showing my new design;
FIG. 2 is a rear perspective view thereof;
FIG. 3 is a front elevational view thereof;
FIG. 4 is a left side view thereof;
FIG. 5 is a rear view thereof;
FIG. 6 is a right side view thereof;
FIG. 7 is a top plan view thereof; and,
FIG. 8 is a bottom view thereof.

1 Claim, 4 Drawing Sheets



(56)

References Cited

U.S. PATENT DOCUMENTS

D785,138 S * 4/2017 Ho D23/226
D809,108 S * 1/2018 Georgeson D23/255
D816,802 S * 5/2018 Tsai D23/238
2011/0049273 A1* 3/2011 Huang B05B 1/1618
239/588
2011/0186162 A1* 8/2011 Farag E03C 1/04
137/801
2013/0333109 A1* 12/2013 Li E03C 1/0402
4/695
2017/0342692 A1* 11/2017 Hu E03C 1/0412
2019/0143347 A1* 5/2019 Li E03C 1/0409
239/558
2019/0186111 A1* 6/2019 Zeng E03C 1/04

OTHER PUBLICATIONS

Pfister LF-538-5LCY, Dec. 1, 2011, Amazon, site visited Aug. 2,
2021: <https://www.amazon.com/dp/B01DYX0POK/> (Year: 2011).*
Ikebana Pull Down Faucet, Jan. 14, 2021, Amazon, site visited Aug.
2, 2021: <https://www.amazon.com/dp/B08T1GS87R/> (Year: 2021).*

* cited by examiner

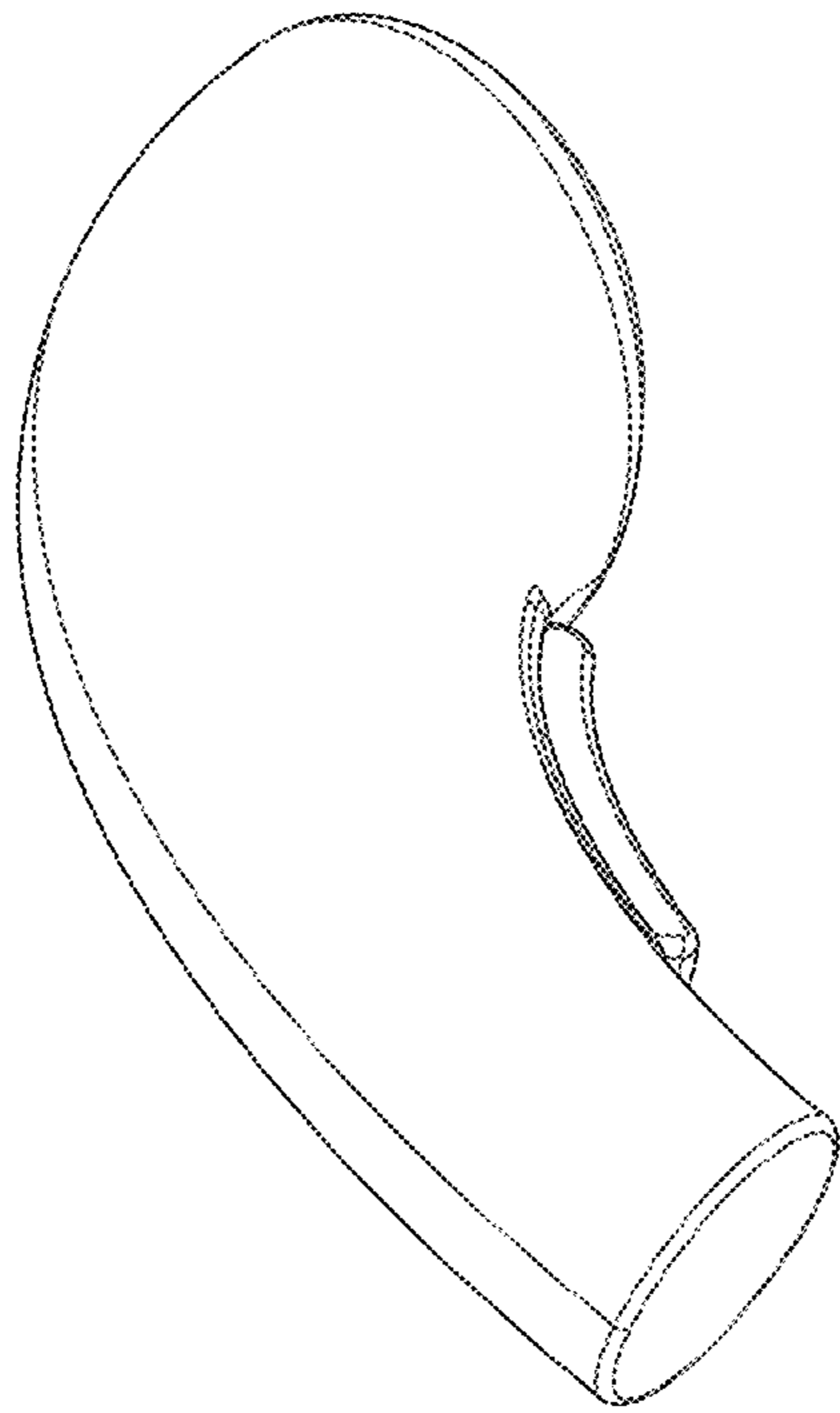


FIG - 2

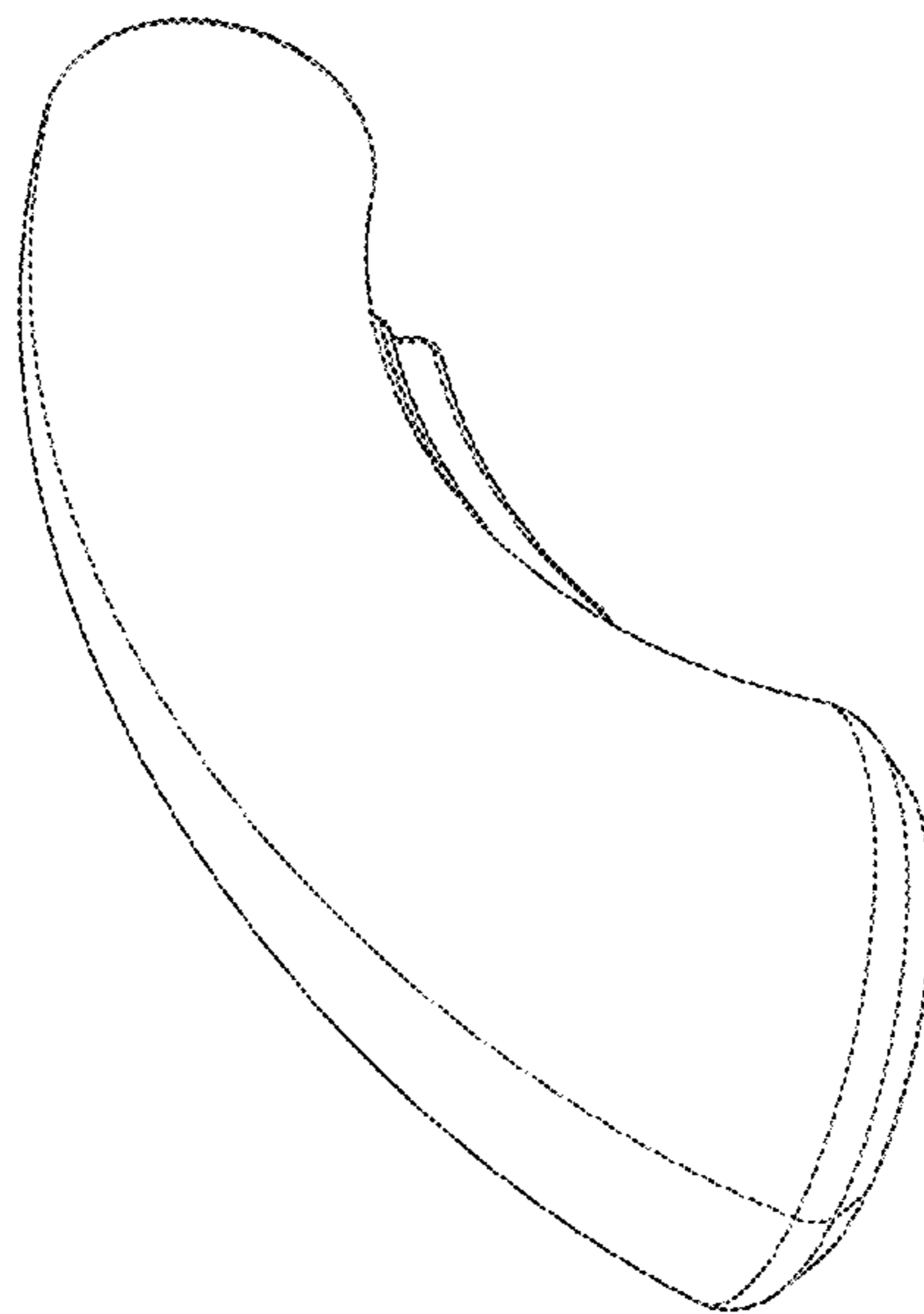


FIG - 1

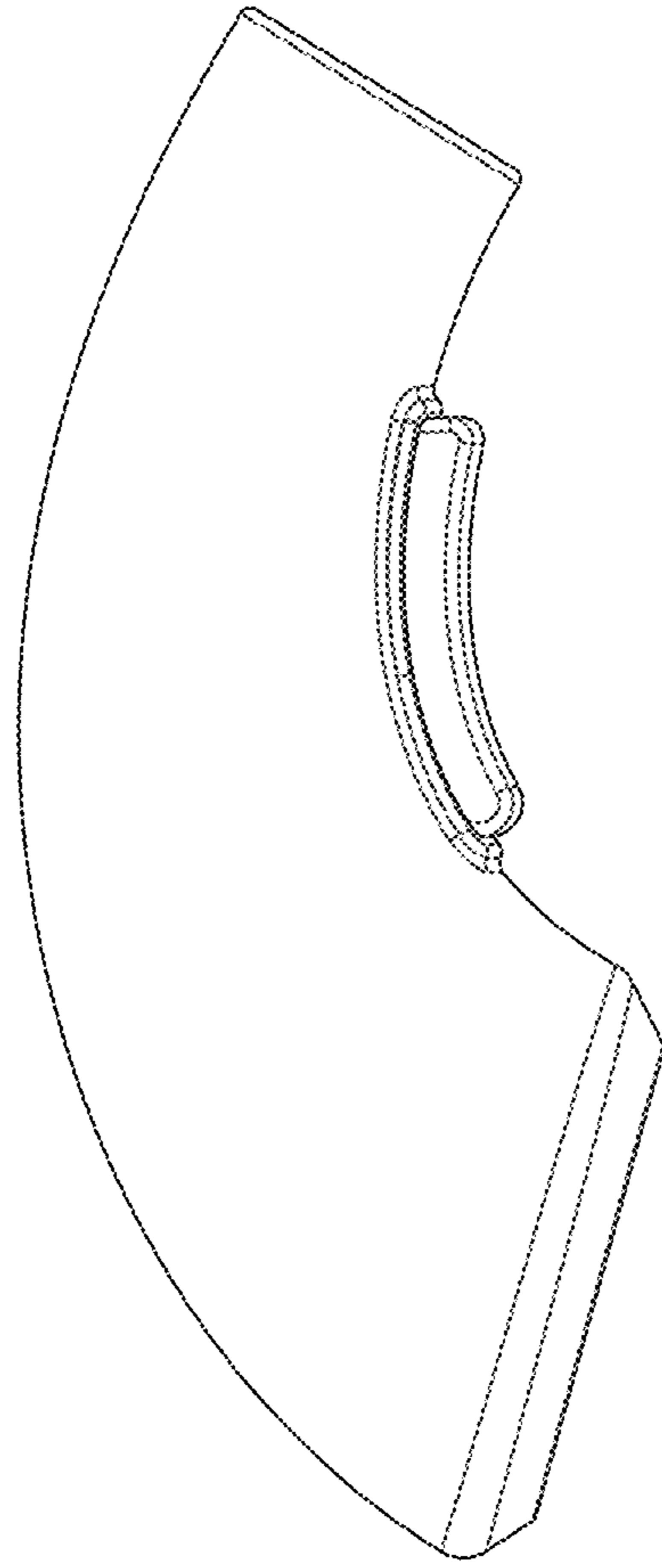


FIG - 4

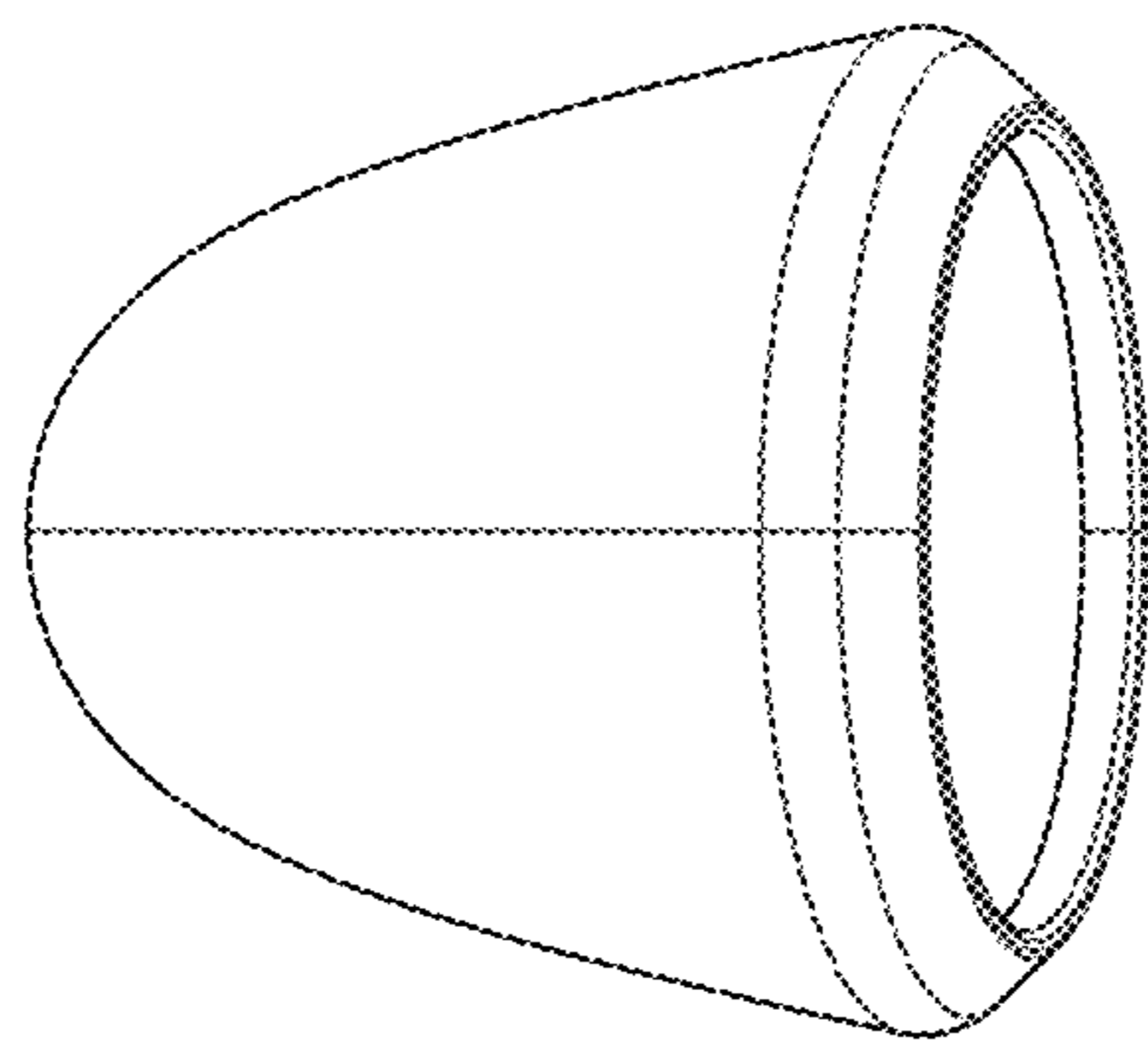


FIG - 3

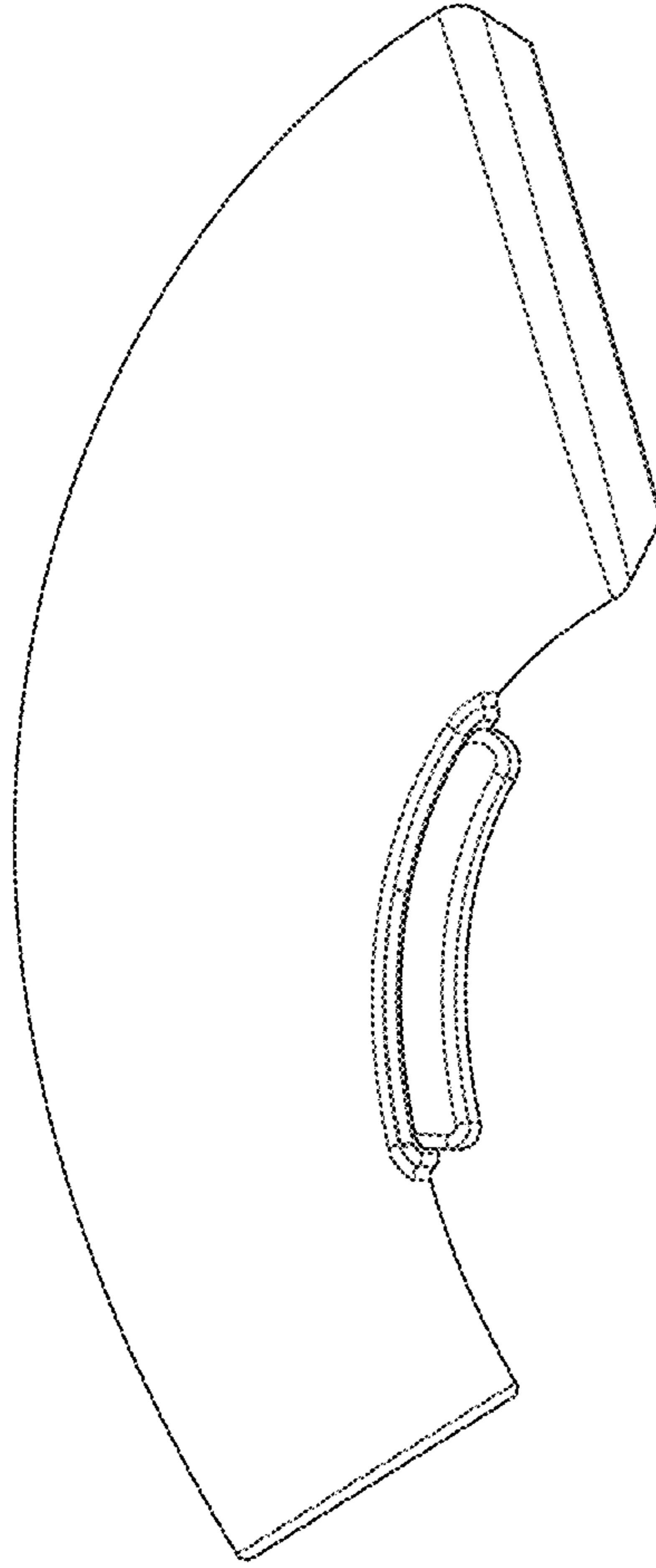


FIG - 6

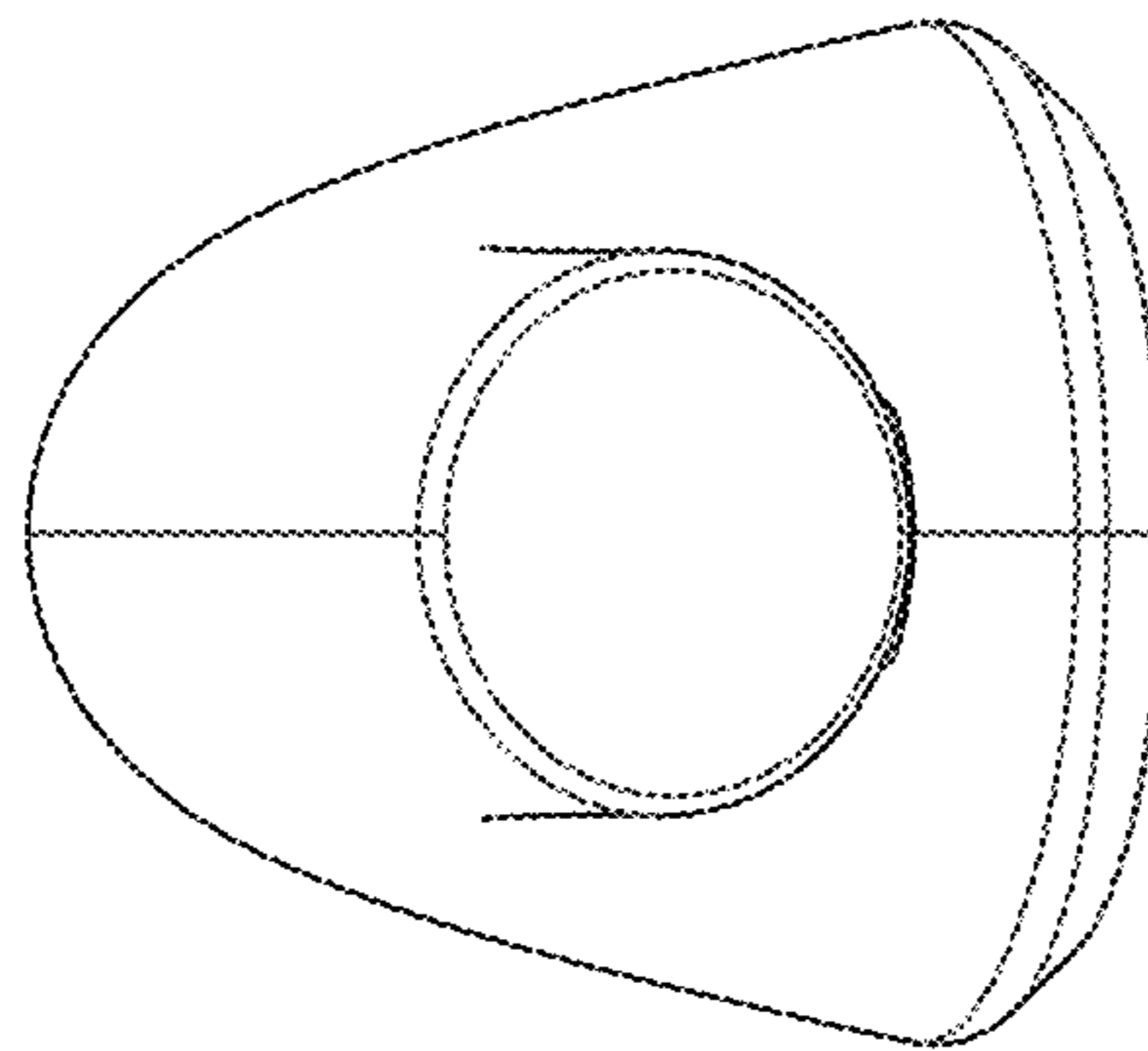


FIG - 5

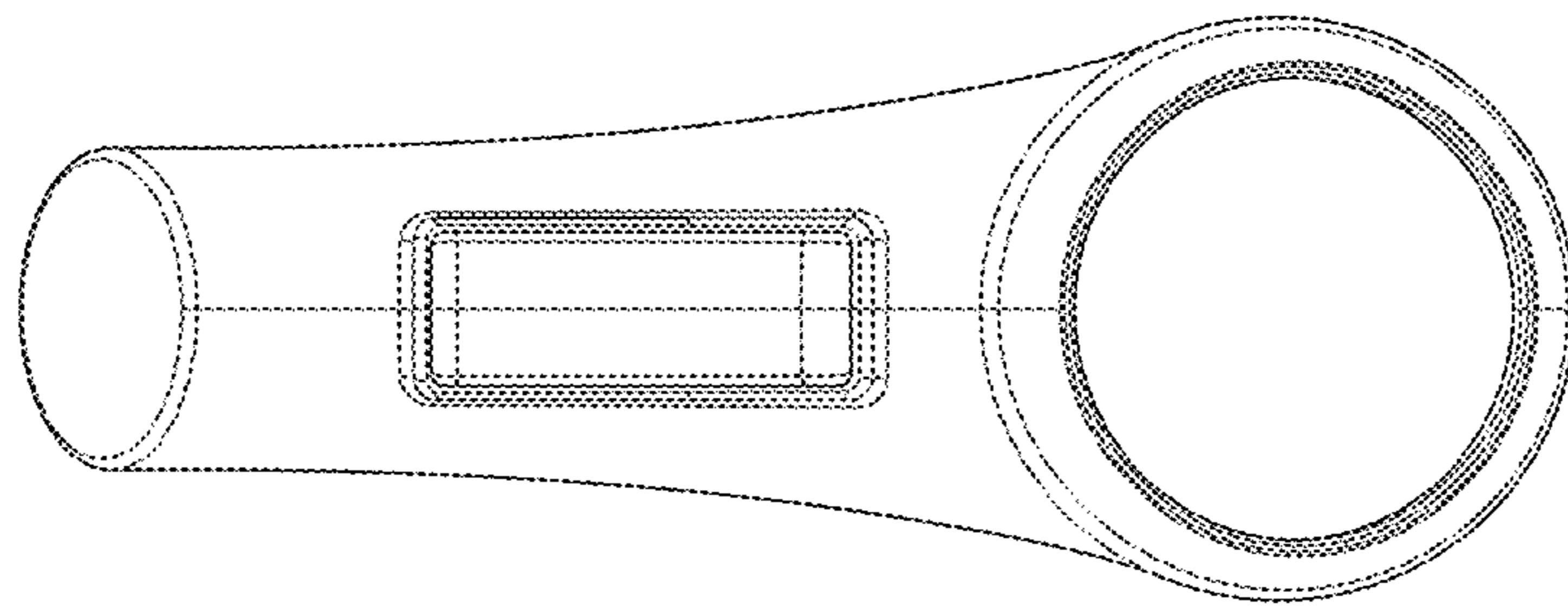


FIG - 8

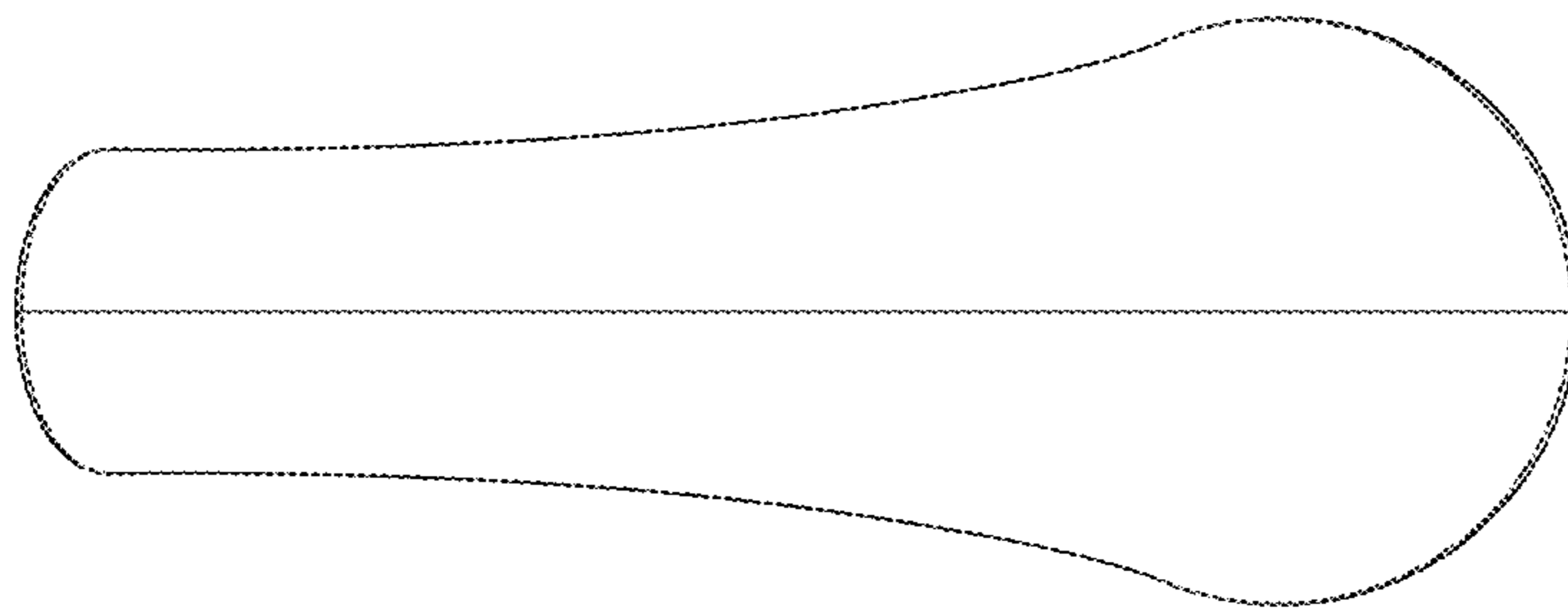


FIG - 7