



US00D944924S

(12) **United States Design Patent** (10) **Patent No.:** **US D944,924 S**  
**McDonnell et al.** (45) **Date of Patent:** **\*\* Mar. 1, 2022**

(54) **DUAL SPRAYER WITH SCREW CONNECTION AND FOAM SPRAYER ATTACHMENT**

(71) Applicant: **For Life Products, LLC**, Miramar, FL (US)

(72) Inventors: **Joseph A. McDonnell**, Miramar, FL (US); **Christopher Deherrera**, Chicago, IL (US)

(73) Assignee: **For Life Products, LLC**, Middleton, WI (US)

(\*\*) Term: **15 Years**

(21) Appl. No.: **29/646,925**

(22) Filed: **May 8, 2018**

(51) **LOC (13) Cl.** ..... **23-01**

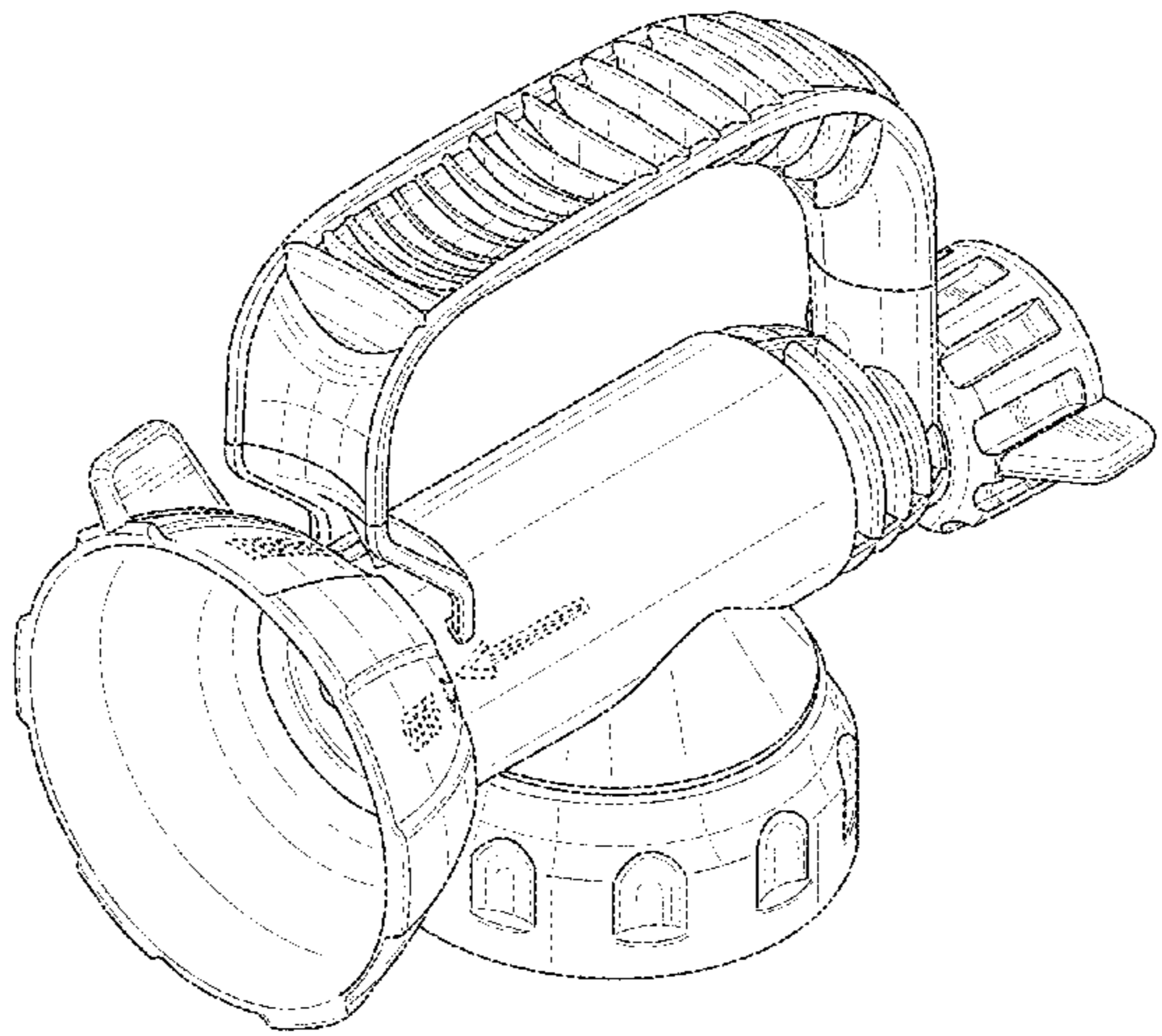
(52) **U.S. Cl.**  
USPC ..... **D23/226**

(58) **Field of Classification Search**  
USPC ..... D23/207, 213, 214, 215, 223, 224, 225, D23/226, 229, 230  
CPC ..... A61H 9/0021; A61H 33/00; B05B 1/00; B05B 1/14; B05B 1/185; B05B 1/08; B05B 1/02; B05B 1/26; B05B 12/002; B05B 1/18; B05B 9/01  
See application file for complete search history.

D358,865 S \* 5/1995 Englhard ..... D23/213  
5,544,810 A 8/1996 Horvath, Jr. et al.  
5,609,299 A 3/1997 Foster et al.  
5,887,761 A 3/1999 Foster et al.  
D431,068 S \* 9/2000 Beaver ..... D23/213  
D433,095 S \* 10/2000 Beaver ..... D23/213  
D441,832 S 5/2001 DiMatteo  
D445,872 S \* 7/2001 Ketcham ..... D23/225  
6,283,385 B1 9/2001 Beaver et al.  
D451,581 S \* 12/2001 Shanklin ..... D23/213  
6,345,773 B1 2/2002 Shanklin et al.  
6,378,785 B1 4/2002 Dodd  
6,425,534 B2 7/2002 Ketcham et al.  
6,471,141 B2 10/2002 Smith et al.  
D468,801 S \* 1/2003 Hubmann ..... D23/225  
D474,256 S \* 5/2003 Hubmann ..... D23/213  
D474,265 S 5/2003 Love et al.  
6,604,546 B1 8/2003 Gilmore  
D480,124 S 9/2003 Hubmann et al.  
6,619,318 B2 9/2003 Dalhart et al.  
6,772,966 B2 8/2004 Foster et al.  
D498,289 S 11/2004 Chen  
D519,602 S \* 4/2006 Dodd ..... D23/213  
7,063,277 B2 6/2006 Englhard et al.  
D532,862 S 11/2006 Chung  
D533,918 S 12/2006 Dodd  
7,188,786 B2 3/2007 Dodd  
7,237,728 B1 7/2007 Laible  
7,281,673 B2 10/2007 Burnworth et al.  
7,328,857 B2 2/2008 Englhard et al.  
7,350,722 B2 \* 4/2008 Shanklin ..... B05B 7/2443  
222/484  
7,407,117 B2 8/2008 Dodd  
7,513,442 B2 4/2009 Dodd  
7,631,819 B2 \* 12/2009 Shanklin ..... B05B 7/2443  
137/893  
7,661,604 B1 2/2010 MacLean-Blevins  
D615,614 S 5/2010 Tullney et al.  
7,866,626 B1 1/2011 MacLean-Blevins  
D675,713 S 2/2013 Christensen  
D709,988 S 7/2014 Ford  
D742,999 S 11/2015 Moya et al.  
D831,791 S \* 10/2018 Tse ..... D23/213  
D851,728 S \* 6/2019 Tse ..... D23/213  
D859,584 S \* 9/2019 Ramsuer ..... D23/213  
10,888,882 B2 \* 1/2021 Eurippini ..... B05B 1/14  
10,953,413 B2 \* 3/2021 des Jardins ..... B05C 5/0225  
D922,523 S \* 6/2021 Havlovitz ..... D23/223  
D922,524 S \* 6/2021 Walters ..... D23/223  
11,020,542 B2 \* 6/2021 Eilat ..... B05B 11/06  
2002/0079381 A1 6/2002 Smith et al.  
2004/0118944 A1 6/2004 Amaduzzi et al.  
2004/0140372 A1 7/2004 Englhard et al.

(56) **References Cited**  
U.S. PATENT DOCUMENTS

1,515,768 A 11/1924 Damon et al.  
2,719,704 A 10/1955 Shanklin et al.  
3,291,395 A 12/1966 Sharp  
D222,255 S 10/1971 Schmedes et al.  
3,964,689 A 6/1976 Horvath, Jr.  
D286,066 S 10/1986 Goessling et al.  
D298,848 S \* 12/1988 Chow ..... D23/213  
D319,292 S \* 8/1991 Gunzel, Jr ..... D23/213  
5,100,059 A 3/1992 Englhard et al.  
5,213,265 A 5/1993 Englhard et al.  
D339,407 S 9/1993 Miseta  
D339,408 S 9/1993 Dutcher



2004/0140373	A1	7/2004	Joseph et al.	
2005/0183719	A1	8/2005	Wuttke et al.	
2006/0091237	A1	5/2006	Dodd	
2006/0255180	A1	11/2006	Englhard et al.	
2011/0240763	A1	10/2011	Svendsen et al.	
2021/0046495	A1*	2/2021	Sillince .....	B05B 1/14
2021/0078019	A1*	3/2021	Tapocik .....	B05B 1/14
2021/0188526	A1*	6/2021	Braziel .....	B05B 1/02

FOREIGN PATENT DOCUMENTS

DE	202011051147	U1	10/2011
GB	2004561	A	4/1979

OTHER PUBLICATIONS

Chemical Guys ACC\_326—Torq Foam Blaster 6 Foam Wash, Sep. 12, 2013, amazon.com, Oct. 6, 2021, URL: [https://www.amazon.com/Chemical-Guys-ACC\\_326-Ultimate-Connects/dp/B00F5MCL14?th=1](https://www.amazon.com/Chemical-Guys-ACC_326-Ultimate-Connects/dp/B00F5MCL14?th=1) (Year: 2013).\*

CarWash Foam Gun, Adjustable Hose Wash Sprayer with Adjustment Ratio Dial Foam Blaster, Jan. 15, 2020, amazon.com, Oct. 6, 2021, URL: [https://www.amazon.com/Adjustable-Sprayer-Adjustment-Ratio-Blaster/dp/B083XG2KGZ/ref=psdc\\_15718411\\_t3\\_B082SBHKN2](https://www.amazon.com/Adjustable-Sprayer-Adjustment-Ratio-Blaster/dp/B083XG2KGZ/ref=psdc_15718411_t3_B082SBHKN2) (Year: 2020).\*

“OFF Bug Control,” <http://www.off.com/en-US/Products/Pages/OFF-Backyard.aspx> (Accessed Dec. 10, 2015).

“32oz Hose-End Sprayer Krud Kutter,” <https://www.fastenal.com/products/details/0611414> (Accessed Dec. 10, 2015).

“Hose End Sprayer,” <http://sell.pakuya.com/product-info/191085/hose-end-sprayer.html> (Accessed Dec. 10, 2015).

“Liquid Hose End Sprayer,” [http://guiyo.en.alibaba.com/product/1793257365-221616123/Liquid\\_Hose\\_End\\_Sprayer.html](http://guiyo.en.alibaba.com/product/1793257365-221616123/Liquid_Hose_End_Sprayer.html) (Accessed Dec. 10, 2015).

“Fertilizing Feeder Hose End,” <https://www.chapinmfg.com/products/product:g405-fertilizing-feeder-hose-end> (Accessed Dec. 10, 2015).

“Wet and Dry Hose End Sprayer,” <http://www.hardwarestore.com/wet-and-dry-hose-end-sprayer-628748.aspx> (Accessed Dec. 10, 2015).

“32 oz Super Concentrated Non-Refillable Roof and Exterior Surface Cleaner with Hose Sprayer,” [http://www.homedepot.com/p/Spray-Forget-32-oz-Super-Concentrated-Non-Refillable-Roof-and-Exterior-Surface-Cleaner-with-Hose-Sprayer-2-Pack-SFSRC-2Q/20208617?AID=10368321&PID=3348536&SID=popshops&cm\\_mmc=CJ\\_-3348536\\_-10368321&cj=true](http://www.homedepot.com/p/Spray-Forget-32-oz-Super-Concentrated-Non-Refillable-Roof-and-Exterior-Surface-Cleaner-with-Hose-Sprayer-2-Pack-SFSRC-2Q/20208617?AID=10368321&PID=3348536&SID=popshops&cm_mmc=CJ_-3348536_-10368321&cj=true) (Accessed Dec. 15, 2015).

“E-Z House Wash Hose End 56 oz.,” <http://www.homearmor.com/product/e-z-wash-hose-end> (Accessed Jan. 2016).

“Liquid-Plumr Clorox 17 oz.,” <http://www.harwareandtools.com/clorox-00216-liquid-plumr-17-ounce-foam-udjb-5169.html> (Accessed Dec. 10, 2015).

“Resolve Oxi-Action Dual Power Pre-Treat Laundry Stain Remover,” <http://rbnainfo.com/productpro/ProductSearch.do?brandID=28&productLineID=502&searchType=PL&template=1> (Accessed Dec. 10, 2015).

“Dual Chamber Sprayer Matrix ASR,” <http://www.jondon.com/dual-chamber-sprayer-for-matrix-asr.html> (Accessed Dec. 10, 2015).

“Red Relief Stain Magic Dual Chamber Trigger Sprayer,” [http://www.proschoice.com/html/red\\_r\\_dual\\_chamber.html](http://www.proschoice.com/html/red_r_dual_chamber.html) (Accessed Dec. 10, 2015).

“Liquid-Plumr Foaming Clog Fighter,” <https://www.liquidplumr.com/products/foaming-clog-fighter> (Accessed Dec. 10, 2015).

Office Action dated Oct. 17, 2019, issued in corresponding U.S. Appl. No. 15/974,246.

Notice of Allowance dated Oct. 7, 2020, issued in corresponding U.S. Appl. No. 15/974,246.

Office Action dated Jul. 17, 2020, issued in corresponding U.S. Appl. No. 15/974,246.

\* cited by examiner

Primary Examiner — Jack Reickel  
 Assistant Examiner — Keith J Wilson

(74) Attorney, Agent, or Firm — Merchant & Gould P.C.

(57) CLAIM

The ornamental design for a dual sprayer with screw connection and foam sprayer attachment, as shown and described.

DESCRIPTION

FIG. 1 is an upper/front, left-side perspective view of a dual sprayer with screw connection and foam sprayer attachment; FIG. 2 is an upper/rear, left-side perspective view of the dual sprayer with screw connection and foam sprayer attachment shown in FIG. 1, without the foam sprayer attachment; FIG. 3 is a lower/front, left-side perspective view of the dual sprayer with screw connection and foam sprayer attachment shown in FIG. 1, without the foam sprayer attachment; FIG. 4 is a front perspective view of the dual sprayer with screw connection and foam sprayer attachment shown in FIG. 1, without the foam sprayer attachment; FIG. 5 is another front perspective view of the dual sprayer with screw connection and foam sprayer attachment shown in FIG. 1, without the foam sprayer attachment; FIG. 6 is a rear, left-side perspective view of the dual sprayer with screw connection and foam sprayer attachment shown in FIG. 1, without the foam sprayer attachment; FIG. 7 is a right-side view of the dual sprayer with screw connection and foam sprayer attachment shown in FIG. 1, without the foam sprayer attachment; FIG. 8 is a left-side view of the dual sprayer with screw connection and foam sprayer attachment shown in FIG. 1, without the foam sprayer attachment; FIG. 9 is an upper view of the dual sprayer with screw connection and foam sprayer attachment shown in FIG. 1, without the foam sprayer attachment; FIG. 10 is a lower view of the dual sprayer with screw connection and foam sprayer attachment shown in FIG. 1, without the foam sprayer attachment; FIG. 11 is a front view of the dual sprayer with screw connection and foam sprayer attachment shown in FIG. 1, without the foam sprayer attachment; FIG. 12 is a front view of the dual sprayer with screw connection and foam sprayer attachment shown in FIG. 1, with a diverter on the water discharge tube, without the foam sprayer attachment; FIG. 13 is a rear view of the dual sprayer with screw connection and foam sprayer attachment shown in FIG. 1, without the foam sprayer attachment; FIG. 14 is a cross-sectional, right-side view of the dual sprayer with screw connection and foam sprayer attachment shown in FIG. 1, without the foam sprayer attachment; FIG. 15 is a left-side view of the dual sprayer with screw connection and foam sprayer attachment shown in FIG. 1; FIG. 16 is a left-side view of the dual sprayer with screw connection and foam sprayer attachment shown in FIG. 1; FIG. 17 is a right-side view of the dual sprayer with screw connection and foam sprayer attachment shown in FIG. 1; FIG. 18 is a left-side view of the dual sprayer with screw connection and foam sprayer attachment shown in FIG. 1; and, FIG. 19 is a right-side view of the dual sprayer with screw connection and foam sprayer attachment shown in FIG. 1. The broken lines in FIG. 1-13 represent unclaimed portions of a dual sprayer with screw connection and foam sprayer attachment. The broken lines in FIG. 15-19 represent both

environment and unclaimed portions of a dual sprayer with screw connection and foam sprayer attachment. All broken lines form no part of the claimed design.

**1 Claim, 19 Drawing Sheets**

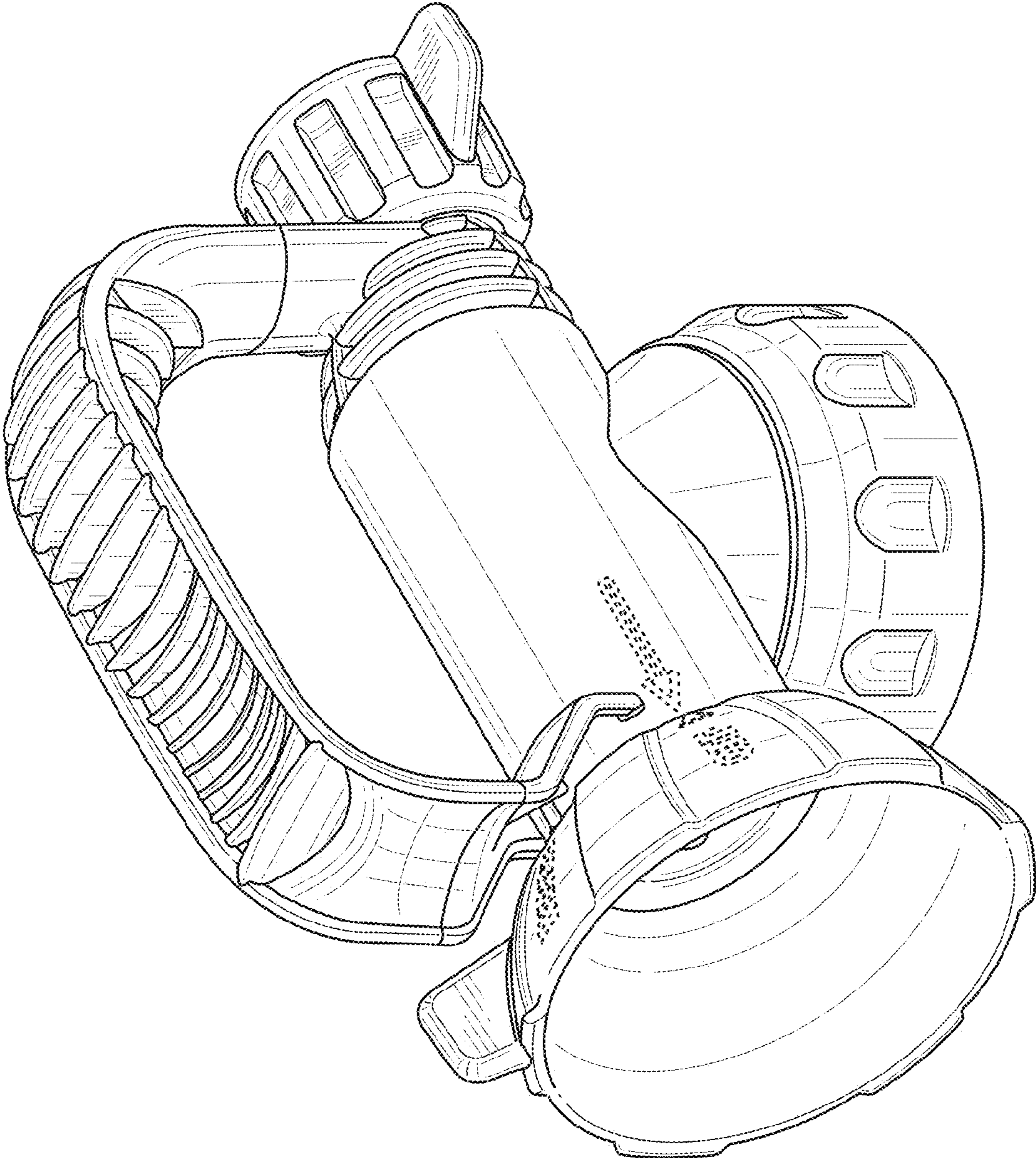


FIG. 1

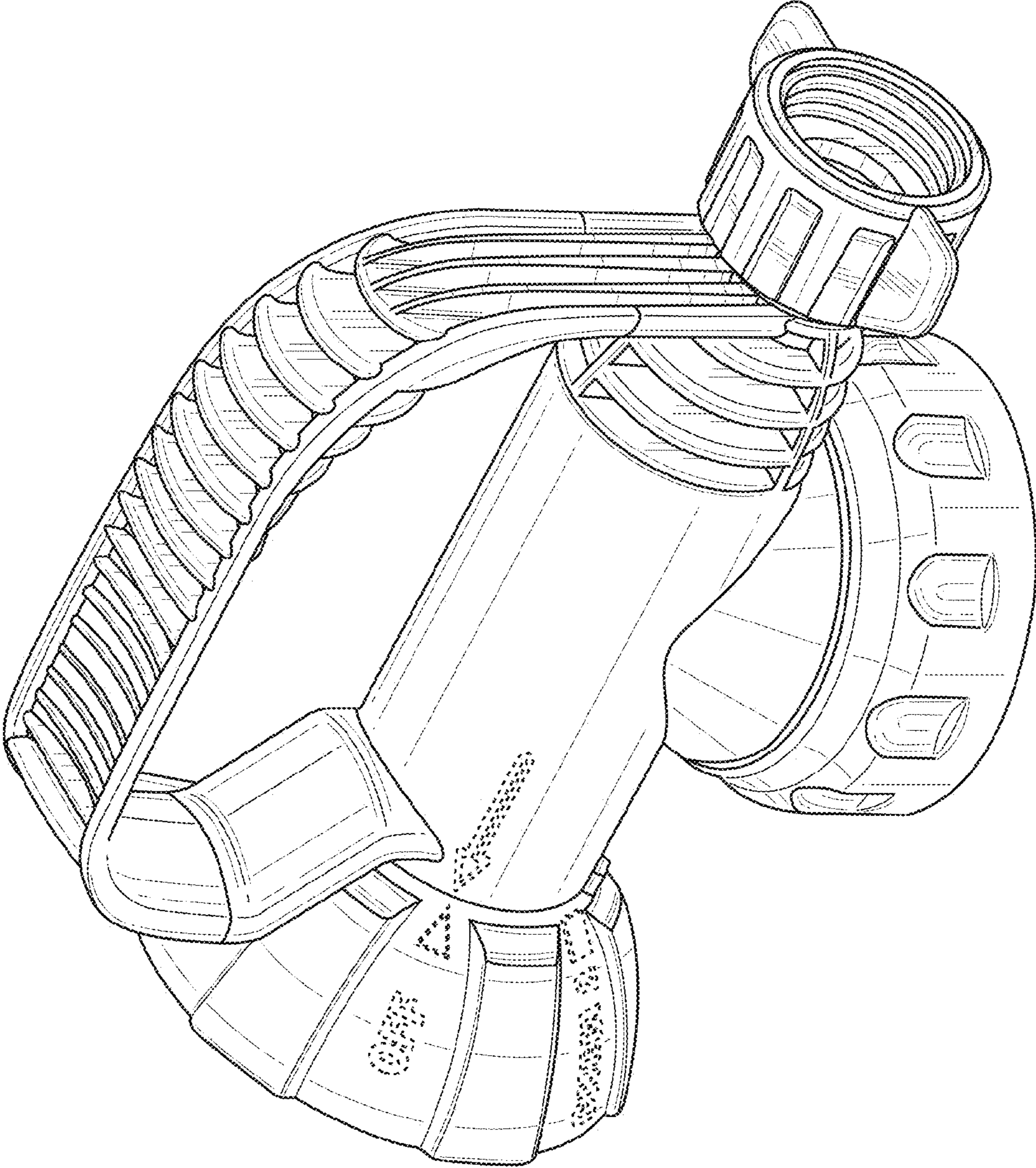


FIG. 2

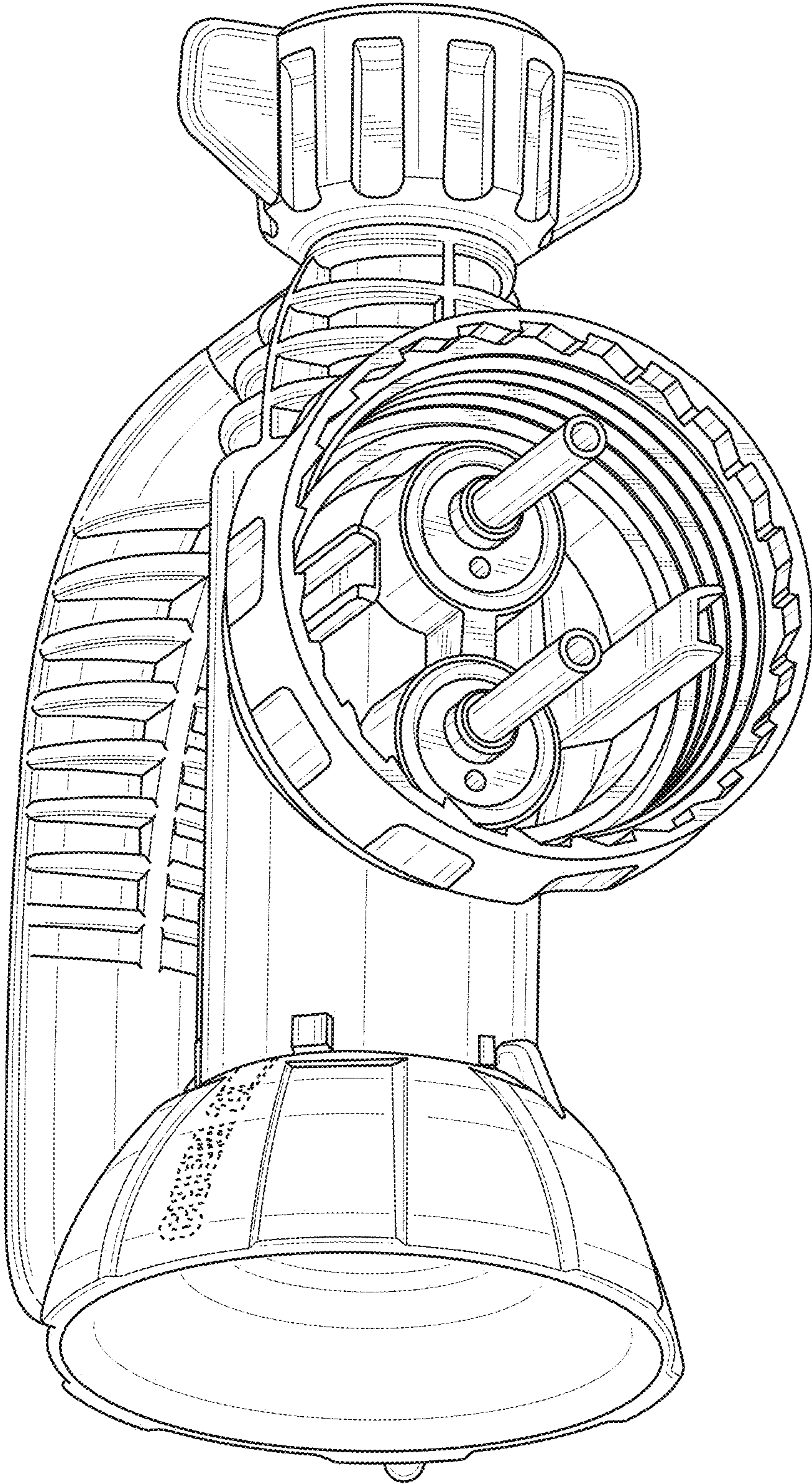
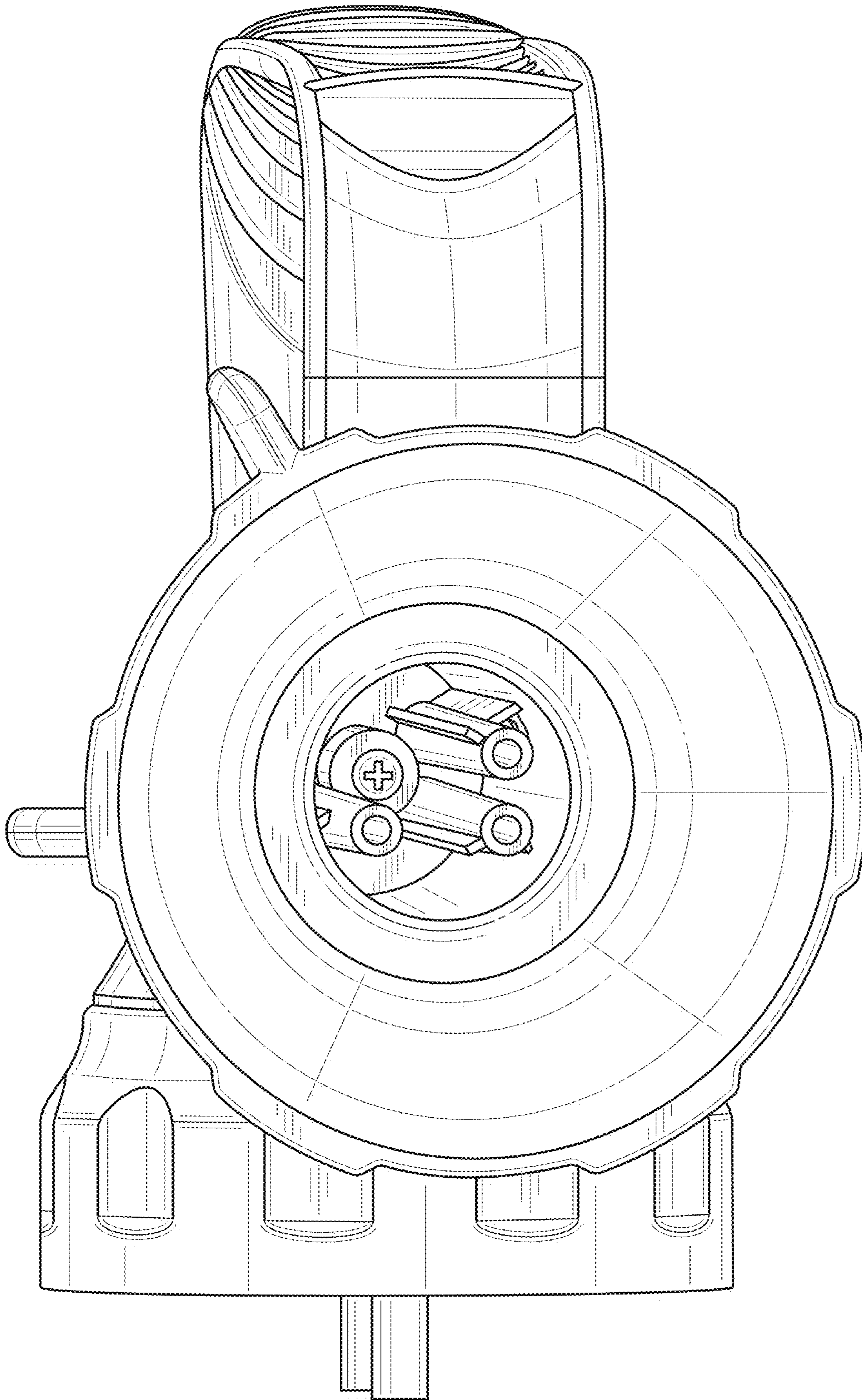
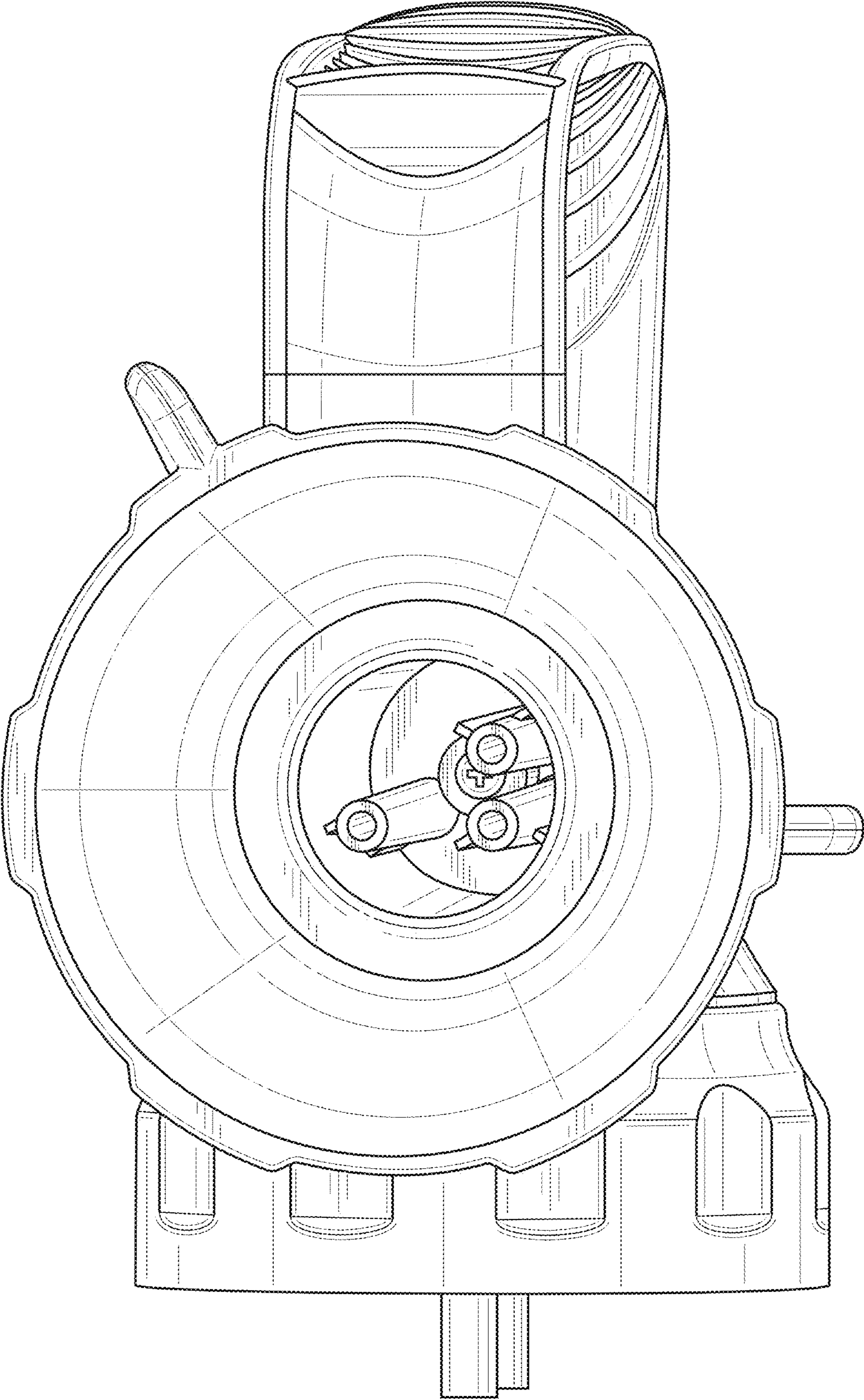


FIG. 3

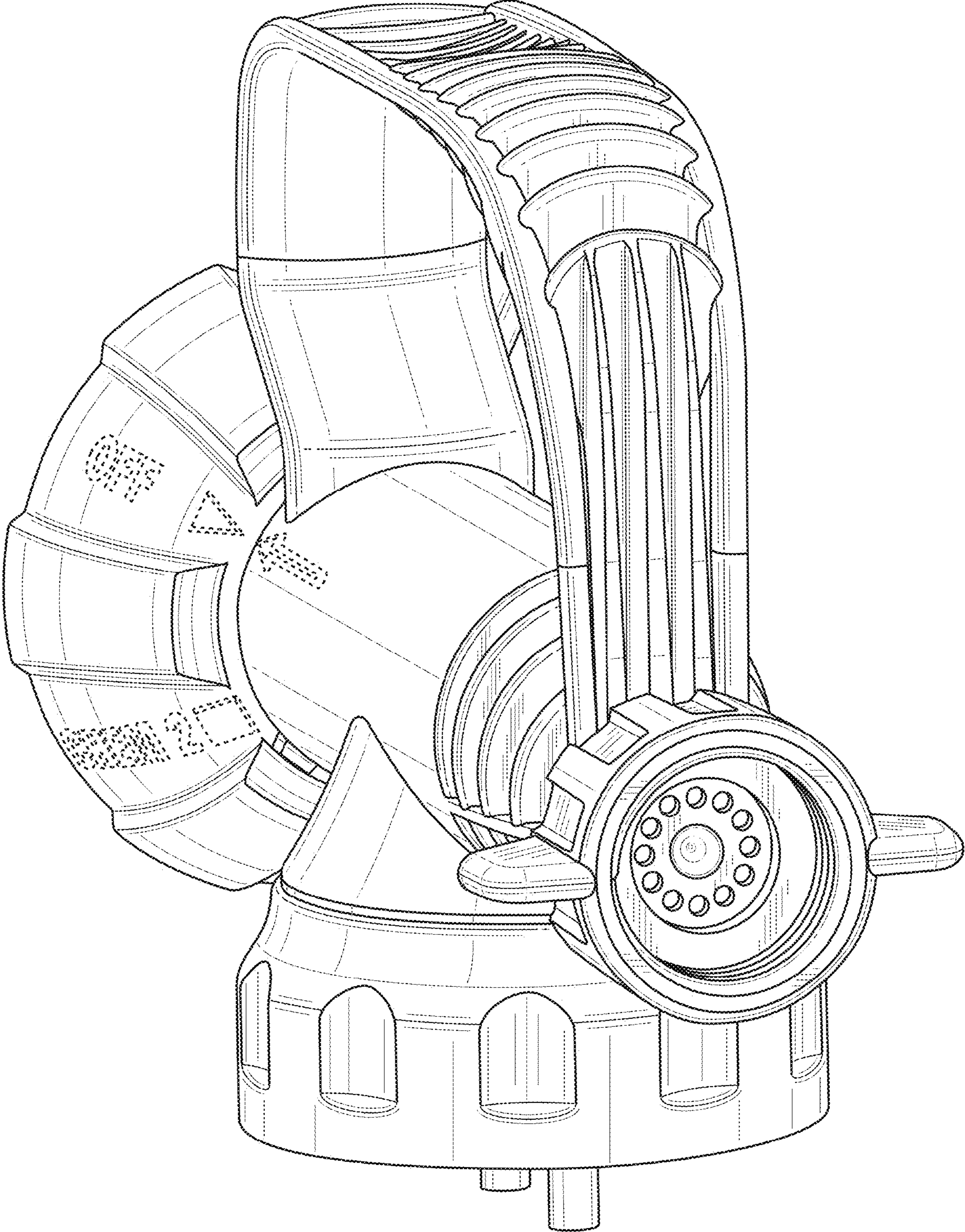


**FIG. 4**



**FIG. 5**





**FIG. 6**

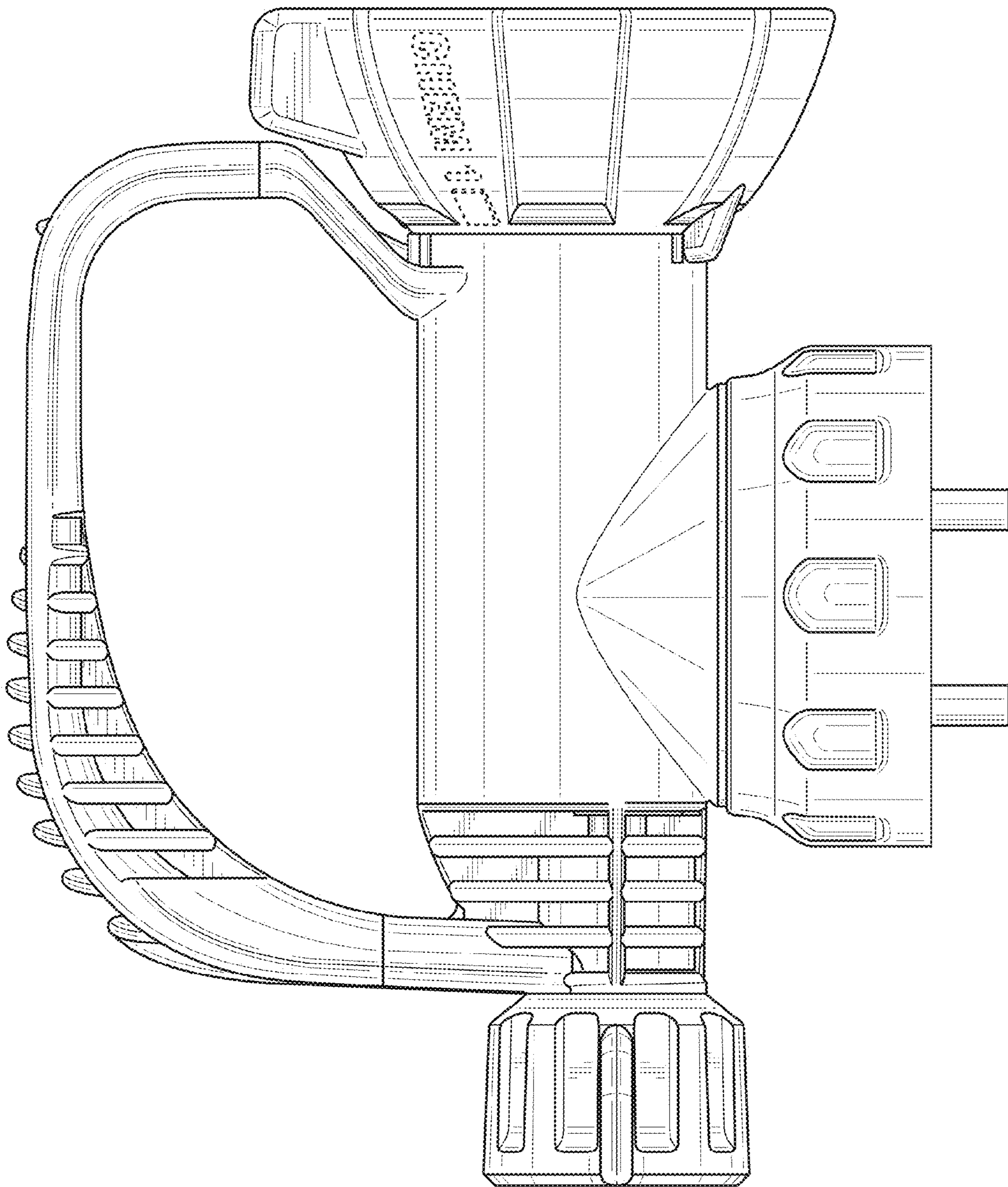


FIG. 7

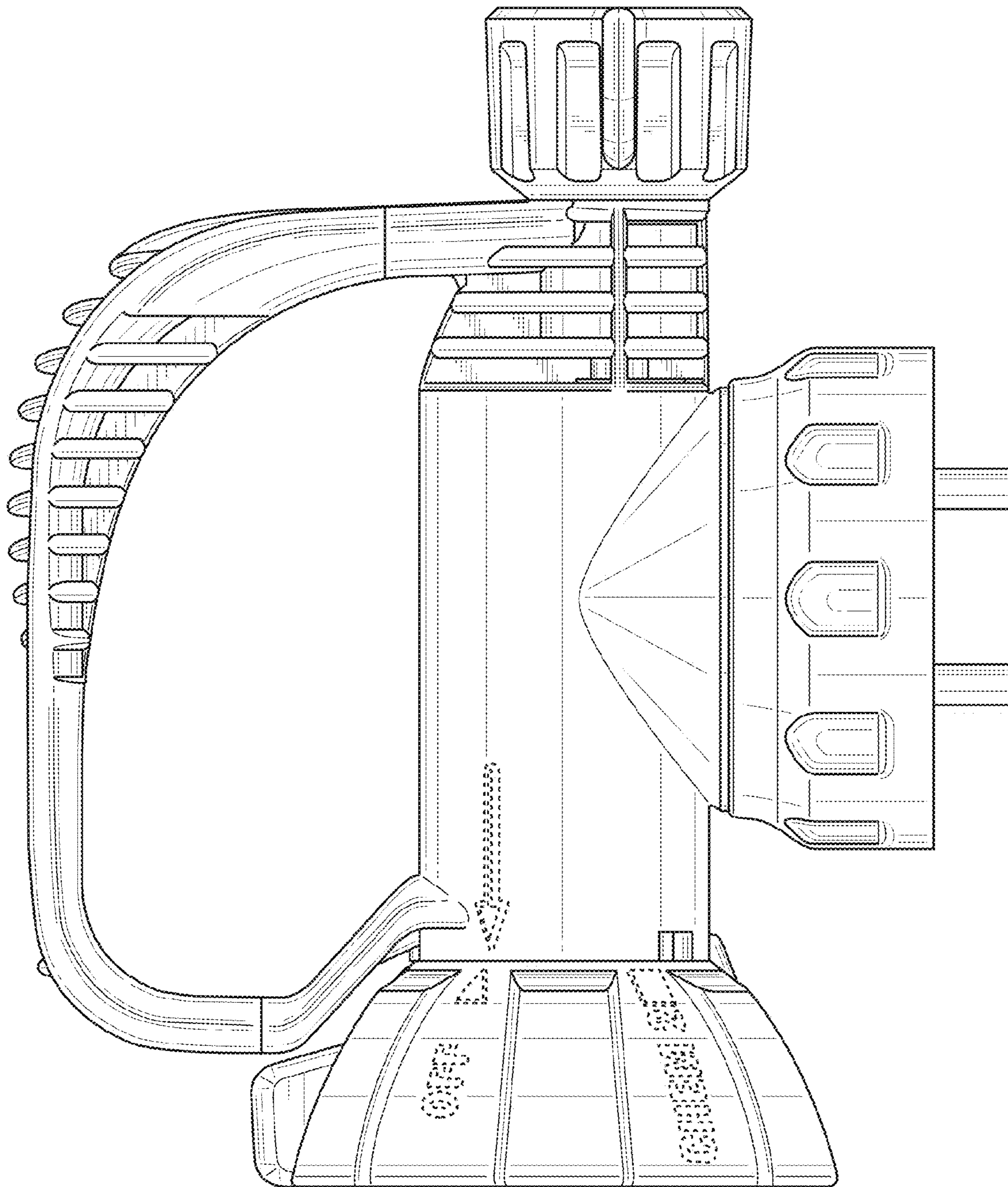


FIG. 8

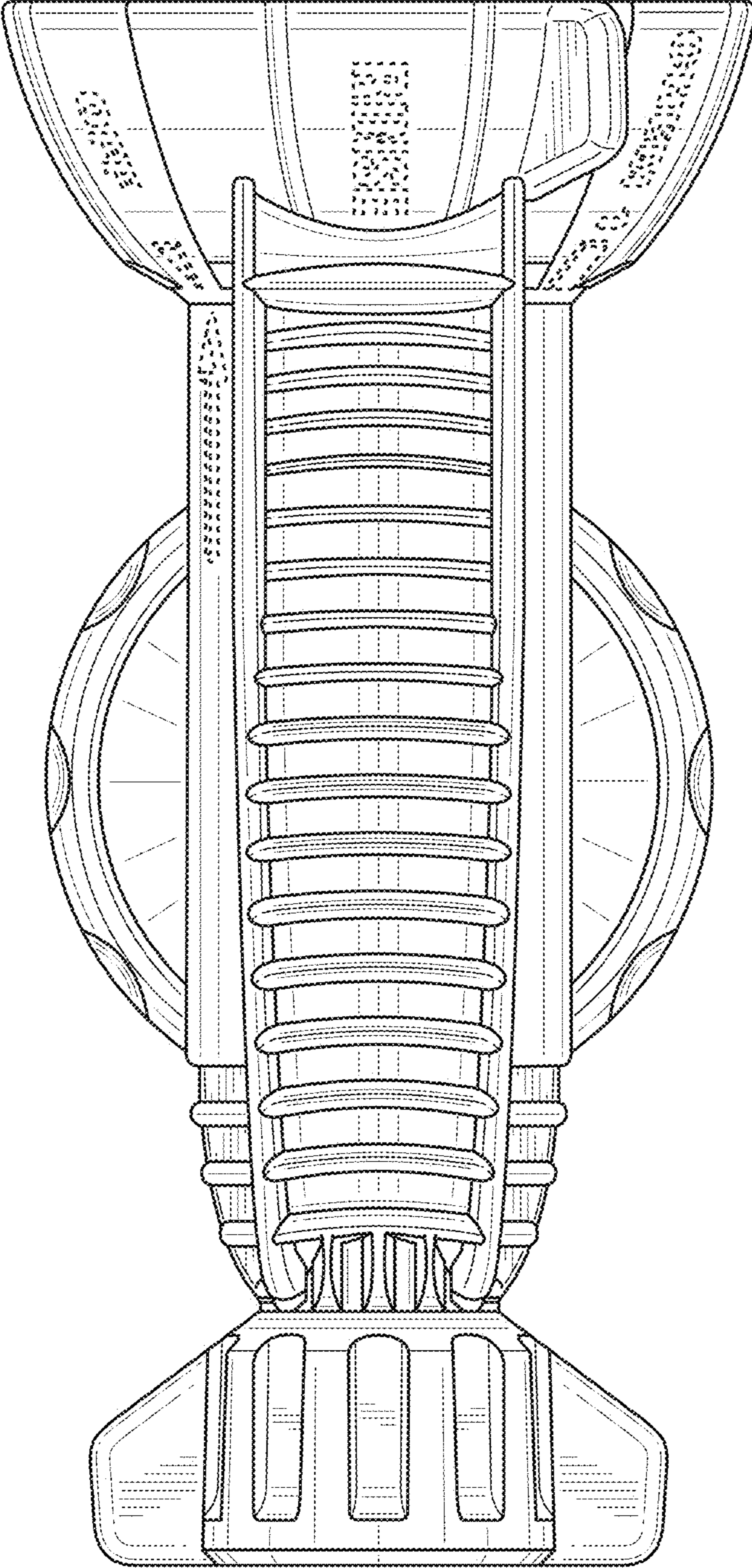
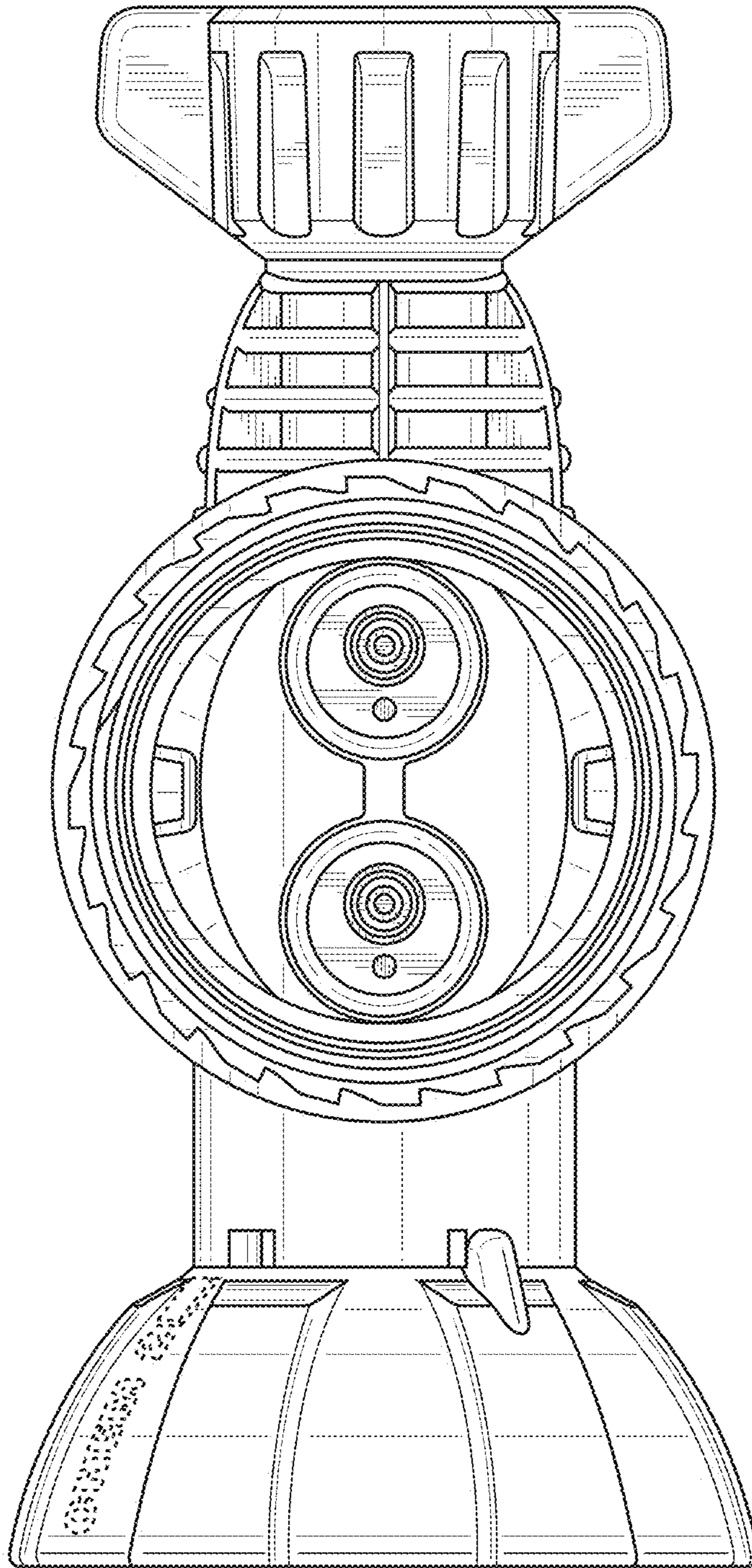
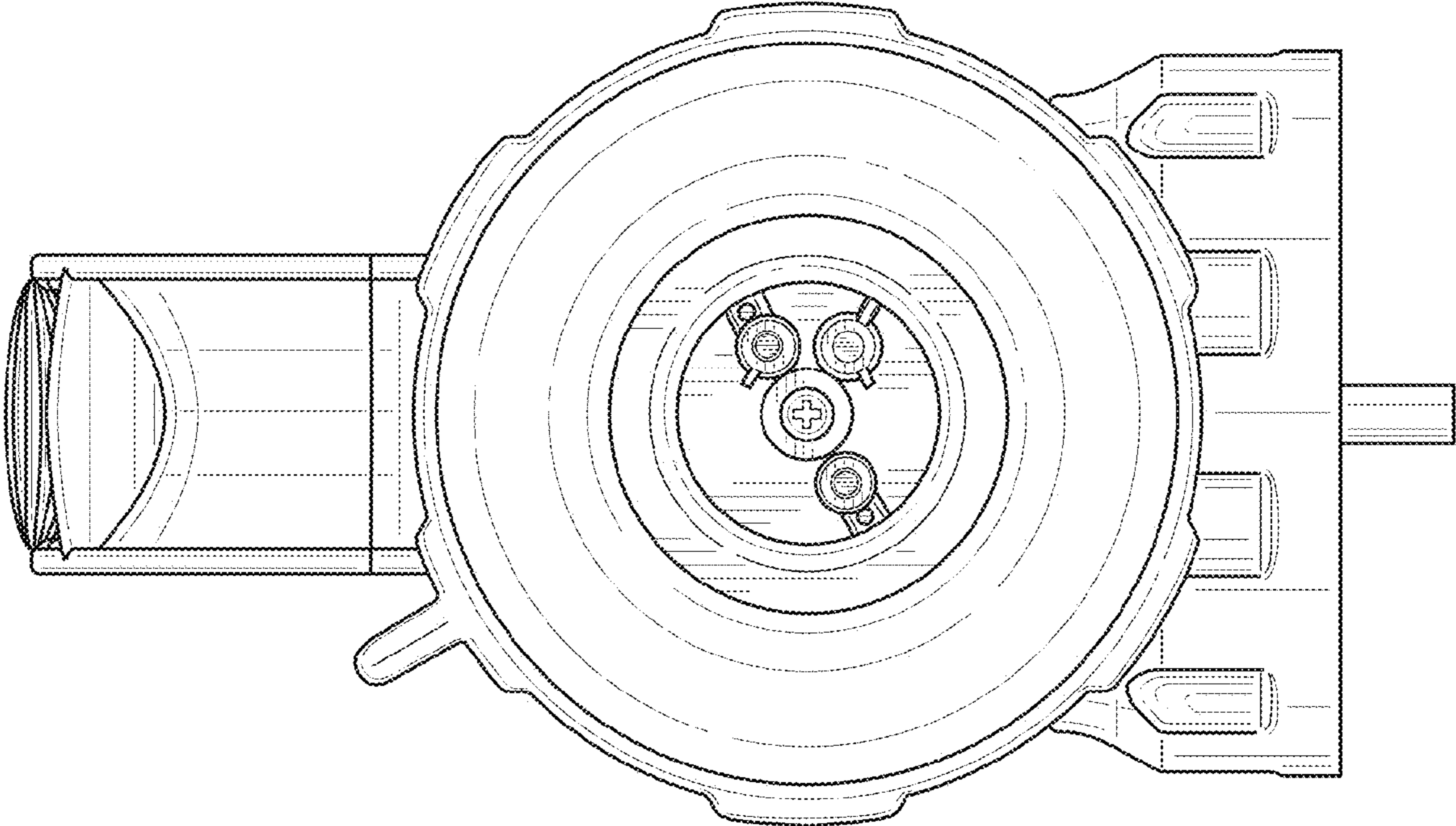


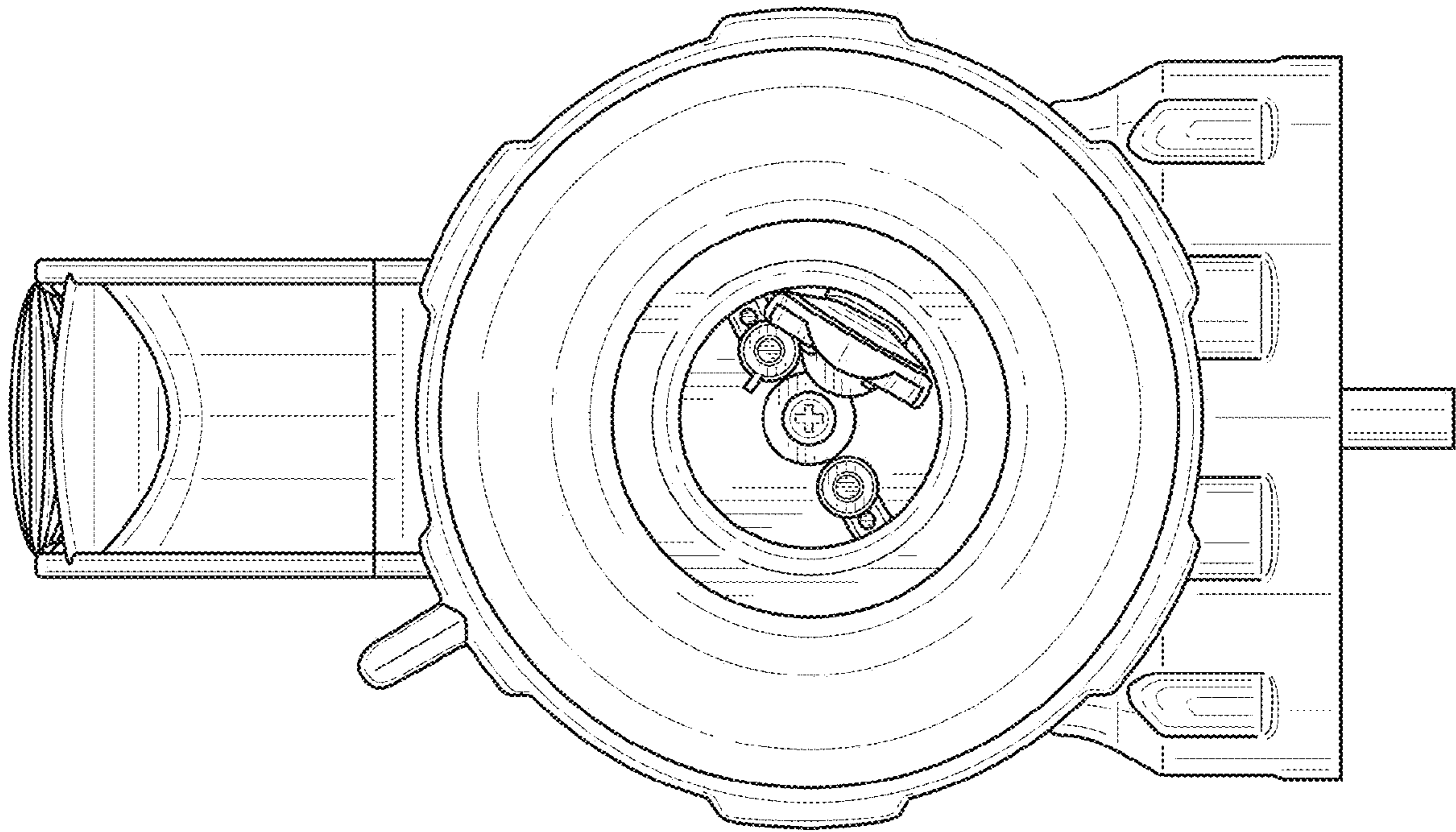
FIG. 9



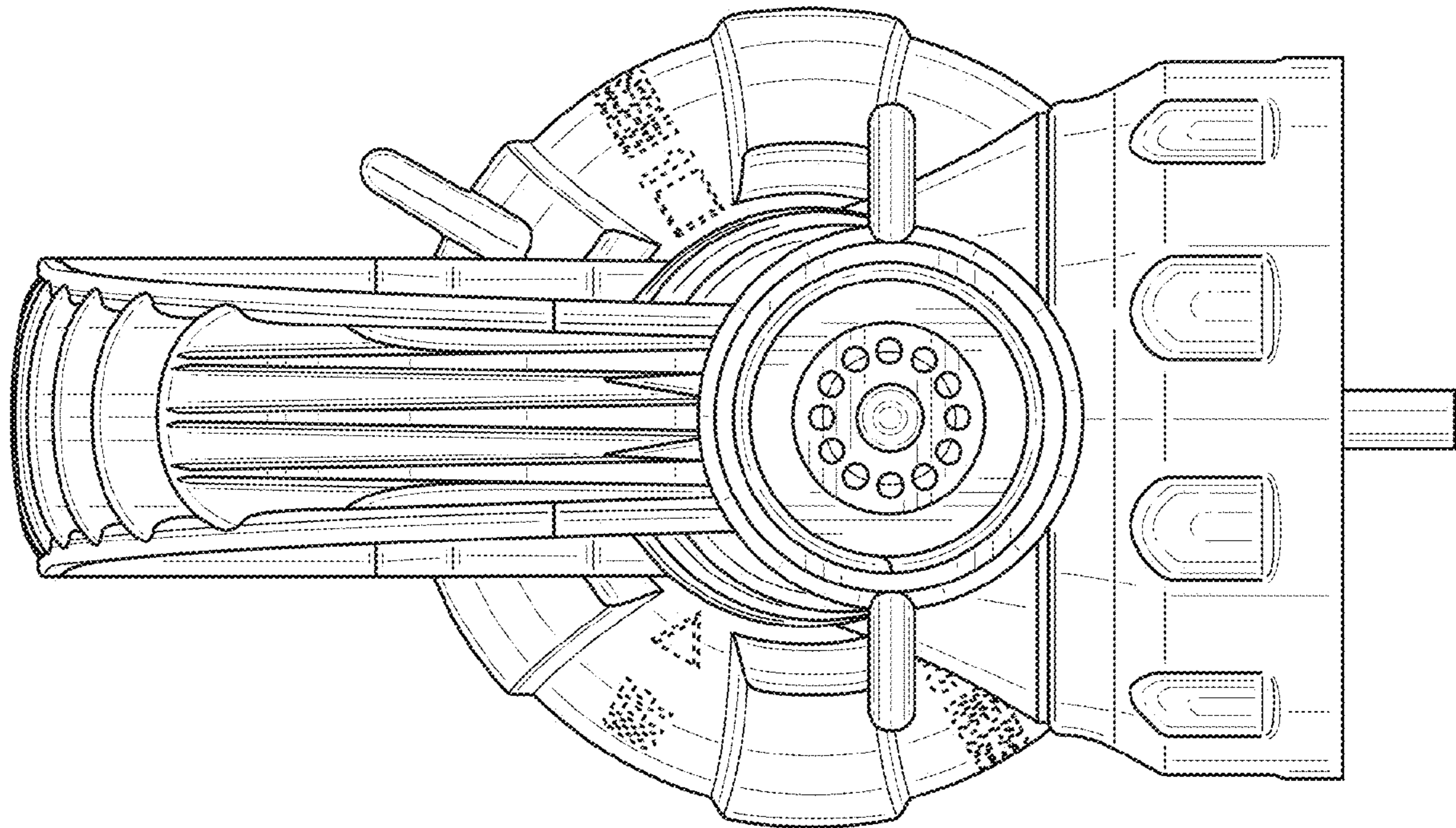
**FIG. 10**



**FIG. 11**



**FIG. 12**



**FIG. 13**



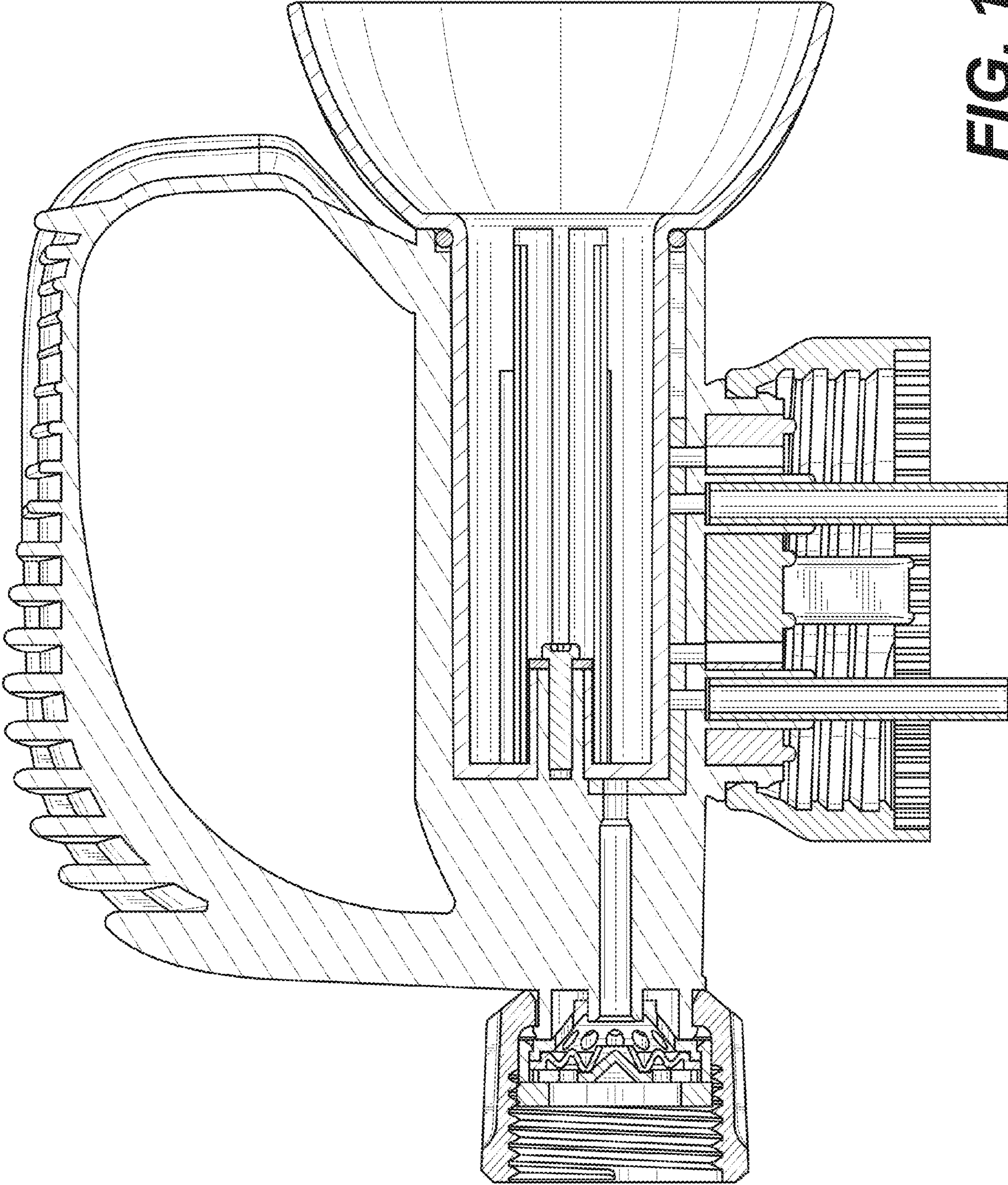
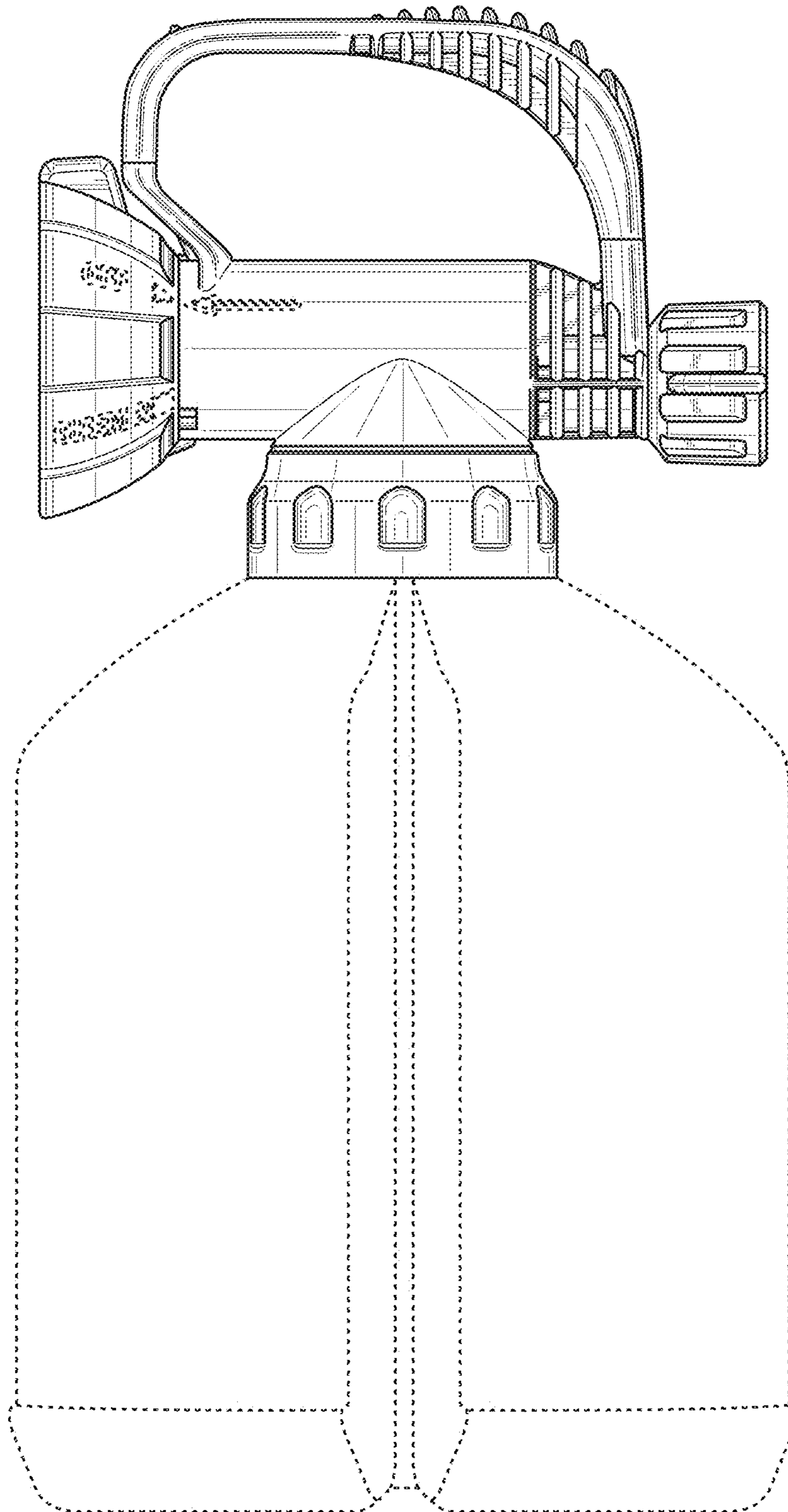
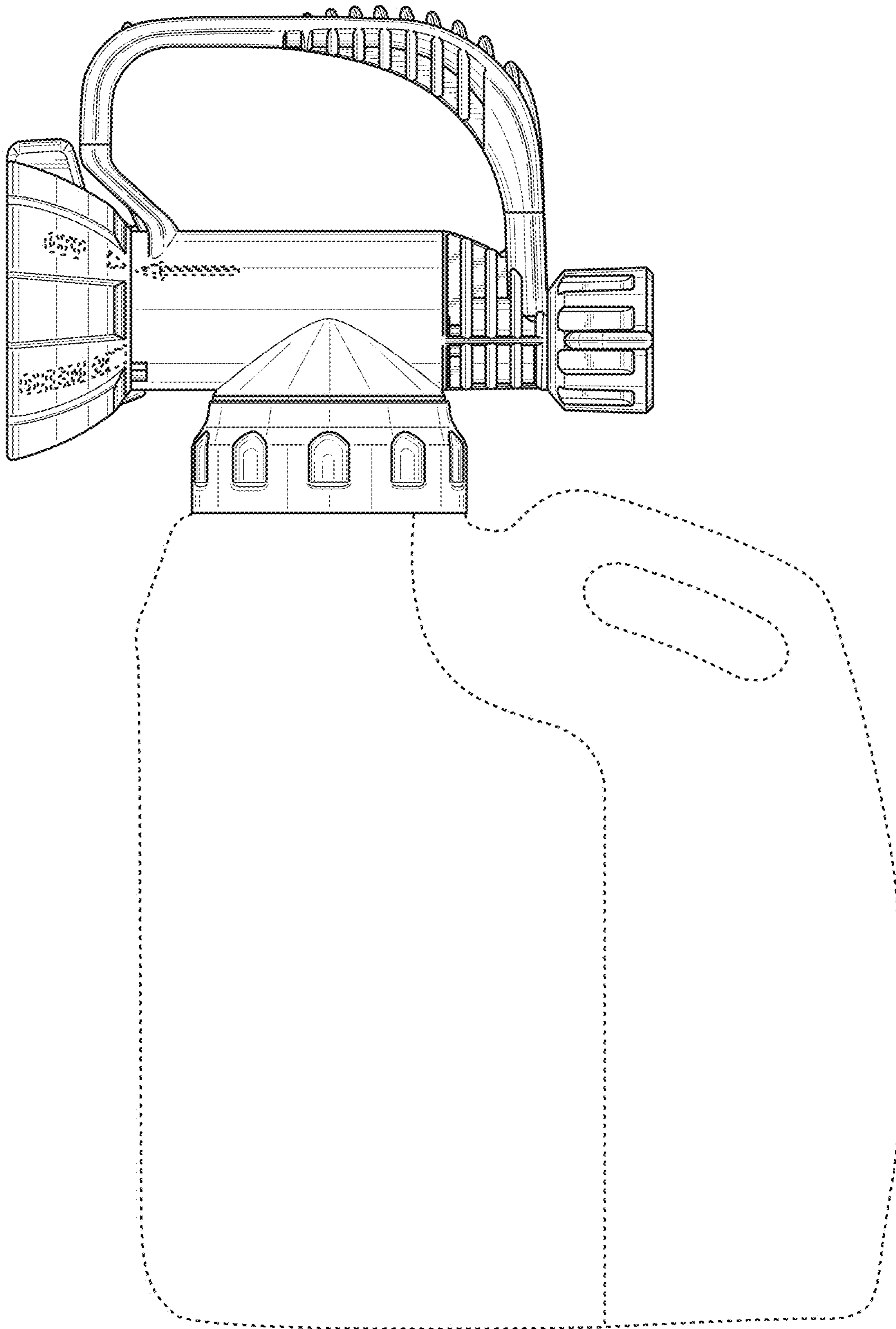


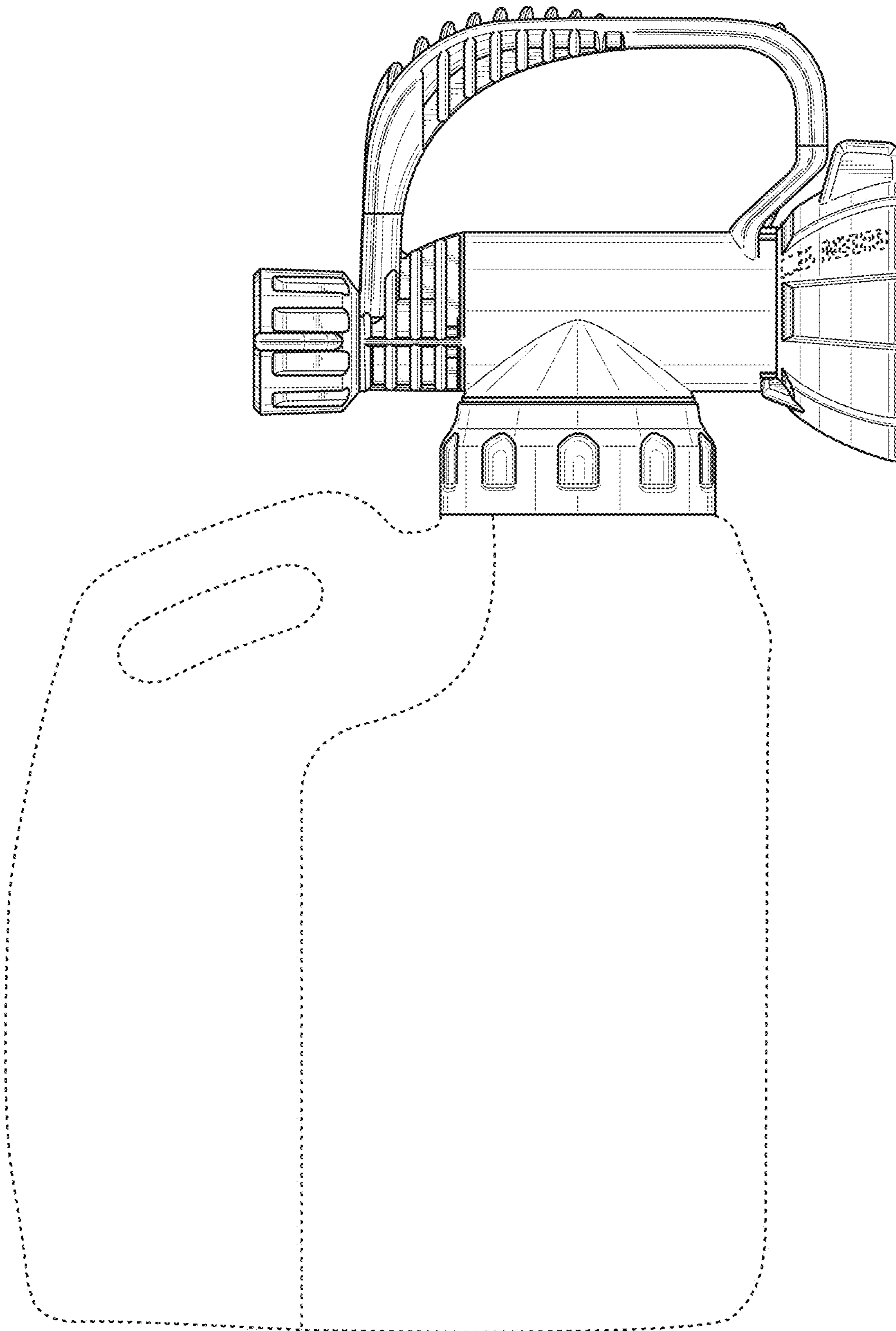
FIG. 14



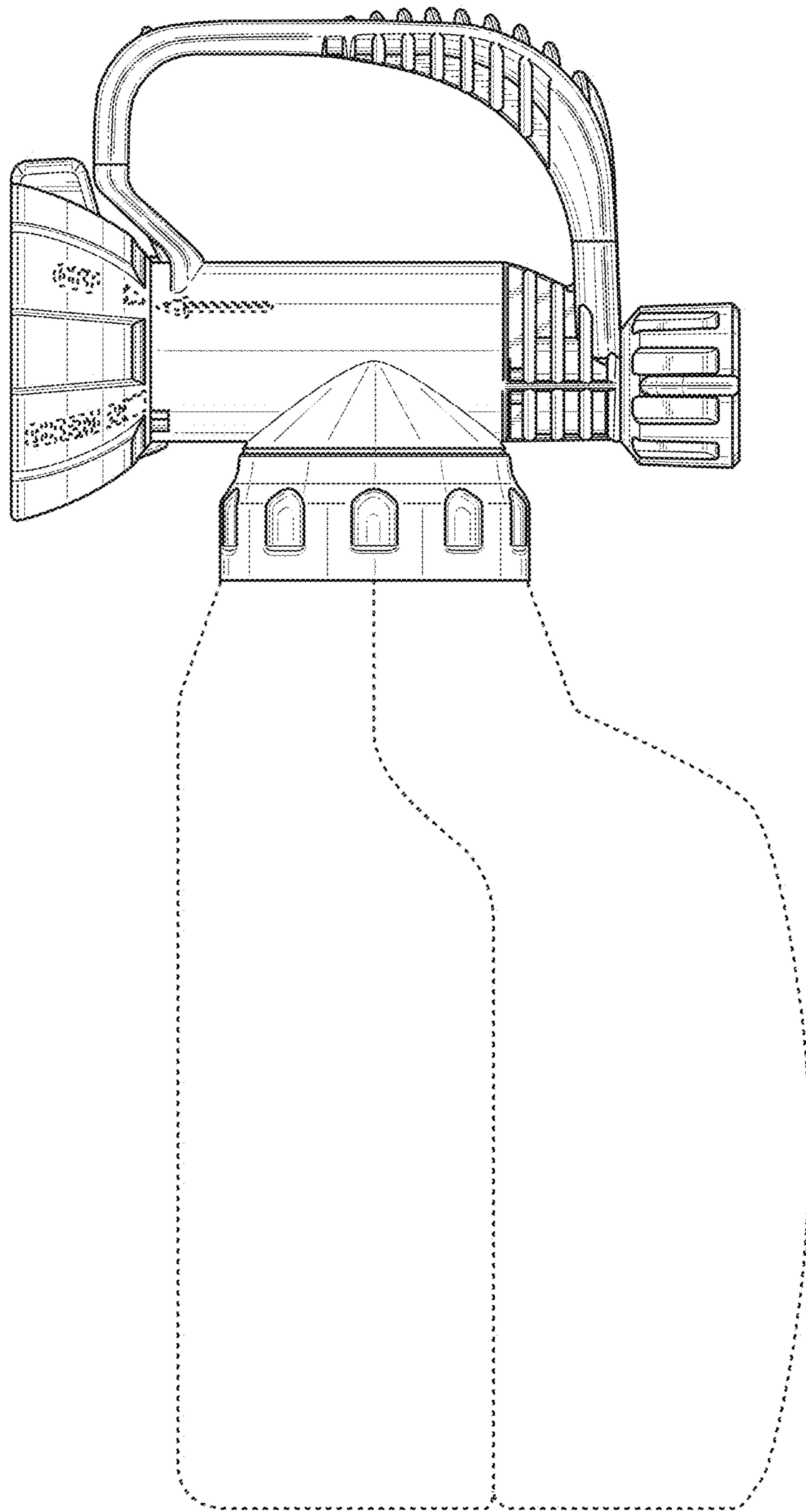
**FIG. 15**



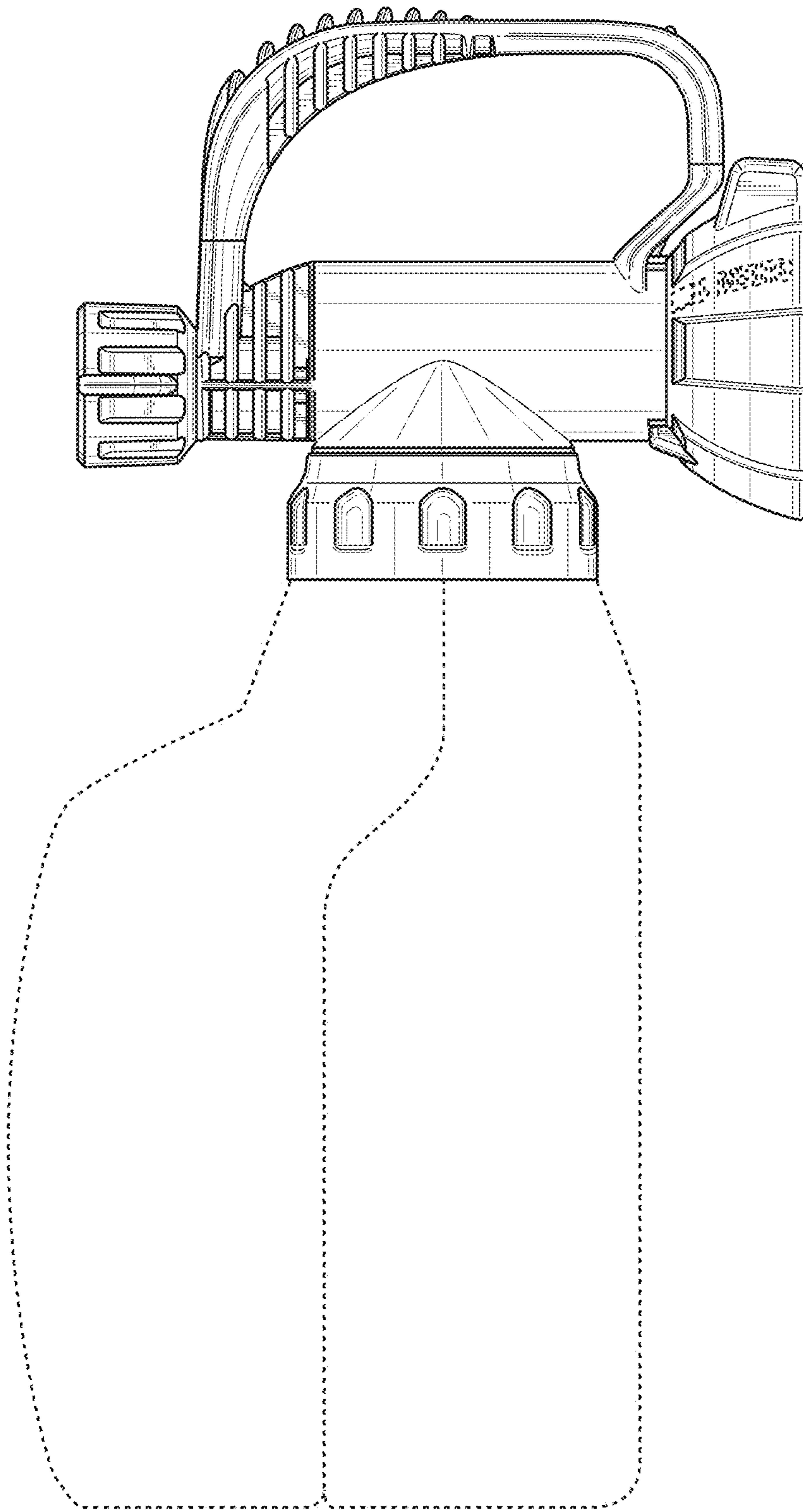
**FIG. 16**



**FIG. 17**



**FIG. 18**



**FIG. 19**