



US00D944923S

(12) **United States Design Patent**
Yu et al.

(10) **Patent No.:** **US D944,923 S**
(45) **Date of Patent:** **** Mar. 1, 2022**

(54) **SHOWER HEAD**

(71) Applicant: **SINYU TECHNOLOGY (FUJIAN) CO., LTD.**, Fujian (CN)

(72) Inventors: **Zhangjun Yu**, Longhai (CN);
Shaoming Gao, Longhai (CN);
Shengda Yu, Longhai (CN)

(73) Assignee: **SINYU TECHNOLOGY (FUJIAN) CO., LTD.**, Longhai (CN)

(**) Term: **15 Years**

(21) Appl. No.: **29/755,440**

(22) Filed: **Oct. 20, 2020**

(51) **LOC (13) Cl.** **23-01**

(52) **U.S. Cl.**
USPC **D23/223**

(58) **Field of Classification Search**
USPC D23/213, 223, 224, 226, 228, 229, 238,
D23/239, 240, 241, 242, 250
CPC B05B 1/16; B05B 1/1618; B05B 1/18;
E03C 1/0401; E03C 1/0405; E03C
1/0408; E03C 1/066; E03C 2001/0415
See application file for complete search history.

(56) **References Cited**

U.S. PATENT DOCUMENTS

D326,311 S *	5/1992	Lenci	D23/213
D610,231 S *	2/2010	Wu	D23/223
D694,361 S *	11/2013	Schoenherr	D23/223
D697,177 S *	1/2014	Schoenherr	D23/223
9,004,380 B2 *	4/2015	Qi	B05B 1/18 239/432
9,227,202 B2 *	1/2016	Yu	B05B 1/18
D778,401 S *	2/2017	Schoenherr	D23/223
D779,039 S *	2/2017	Hanna	D23/223
D779,043 S *	2/2017	Hanna	D23/229
9,687,859 B2 *	6/2017	Kajuch	B05B 1/1654
D841,125 S *	2/2019	Lai	D23/223

D844,749 S *	4/2019	Cocks	D23/223
D869,607 S *	12/2019	Seum	D23/223
D885,521 S *	5/2020	Hayner	D23/223
D897,495 S *	9/2020	Schoenherr	D23/213
2012/0233768 A1 *	9/2012	Kull	E03C 1/0409 4/615

(Continued)

FOREIGN PATENT DOCUMENTS

CN 305829558 * 2/2020

OTHER PUBLICATIONS

Kohler Awaken K-72415-2BZ, Feb. 20, 2017, Amazon, site visited Nov. 1, 2021: <https://www.amazon.com/dp/B06WVH3PJ2/> (Year: 2017).*

(Continued)

Primary Examiner — Jack Reickel
Assistant Examiner — Bobby W Jones, II
(74) *Attorney, Agent, or Firm* — Booth Udall Fuller, PLC

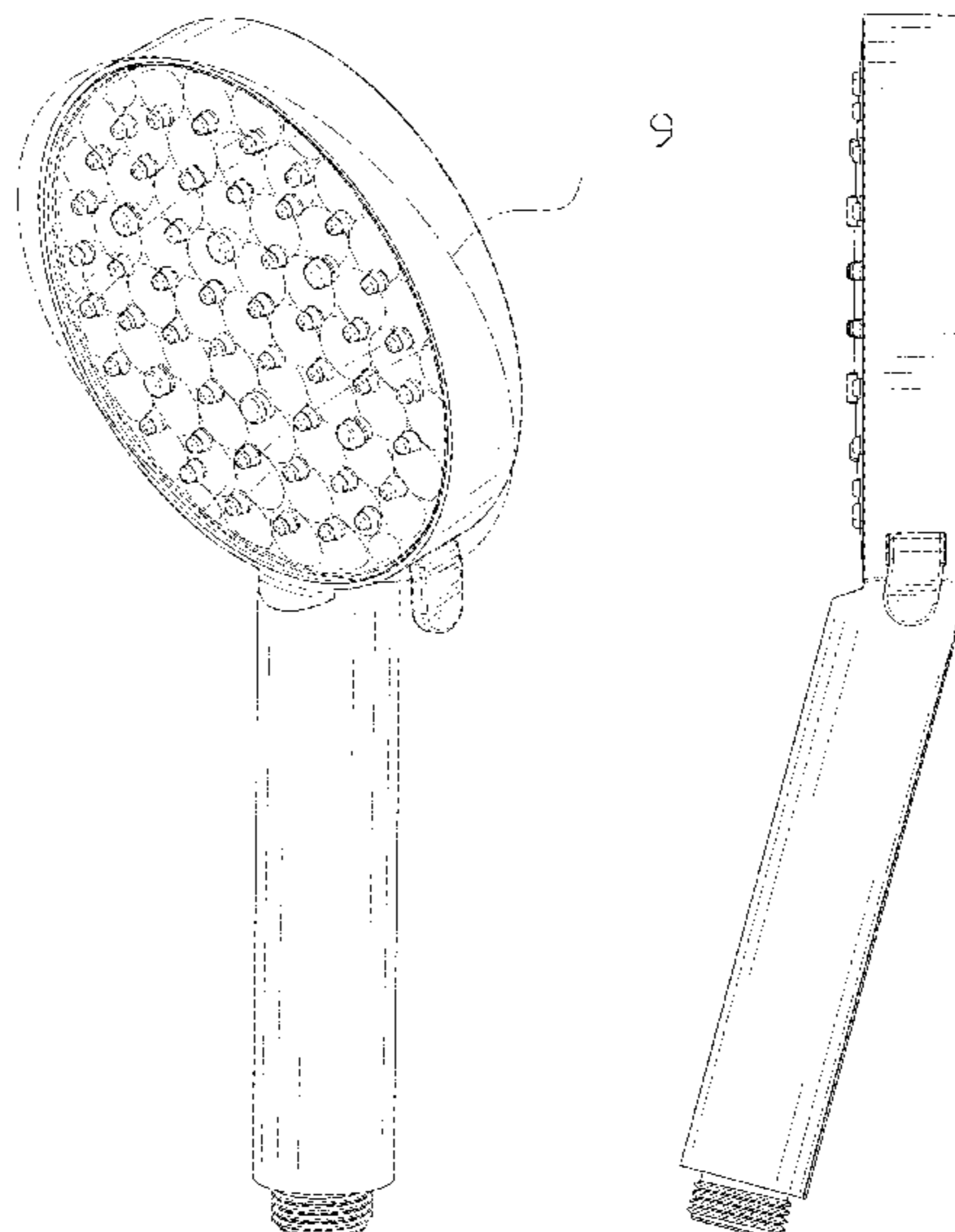
(57) **CLAIM**

We claim the ornamental design for a shower head, as shown and described.

DESCRIPTION

FIG. 1 is a front perspective view for a shower head; FIG. 2 is a rear perspective view thereof; FIG. 3 is a front view thereof; FIG. 4 is a back view thereof; FIG. 5 is a right side view thereof; FIG. 6 is a left side view thereof; FIG. 7 is a top view thereof; FIG. 8 is a bottom view thereof; and, FIG. 9 is a partially enlarged view of enlargement section 9 in FIG. 1 to emphasize the shower head spray nozzles. The broken lines in the Figures represent portions of the article which form no part of the claimed design.

1 Claim, 9 Drawing Sheets



(56)

References Cited

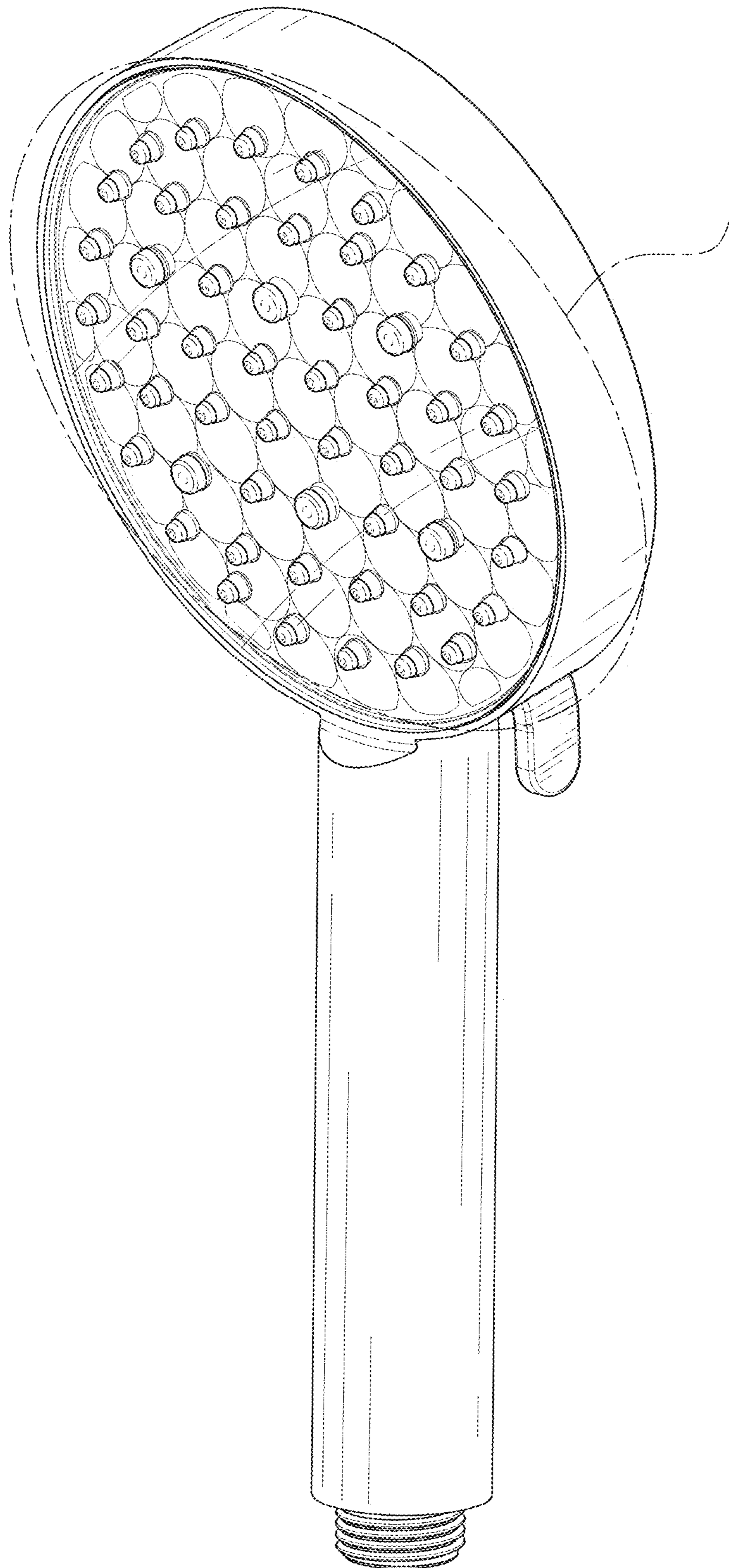
U.S. PATENT DOCUMENTS

2012/0325353 A1* 12/2012 Zhou B05B 1/1618
137/625
2013/0119160 A1* 5/2013 Yu B05B 1/18
239/532
2014/0151466 A1* 6/2014 Cutler B05B 1/185
239/548
2014/0306033 A1* 10/2014 Qi B05B 1/18
239/432
2016/0074883 A1* 3/2016 Zhou B05B 1/1636
239/442
2019/0085990 A1* 3/2019 Kinle B05B 12/002
2019/0126295 A1* 5/2019 Kington B05B 1/16
2019/0151866 A1* 5/2019 Lu B05B 1/18
2019/0299224 A1* 10/2019 Wu E03C 1/06
2020/0122166 A1* 4/2020 Farley E03C 1/0409

OTHER PUBLICATIONS

BELZN Hand Held Shower Head, Jan. 8, 2019, Amazon, site visited
Nov. 1, 2021: <https://www.amazon.com/dp/B07MC6D9FF/> (Year:
2019).*

* cited by examiner



9

FIG. 1

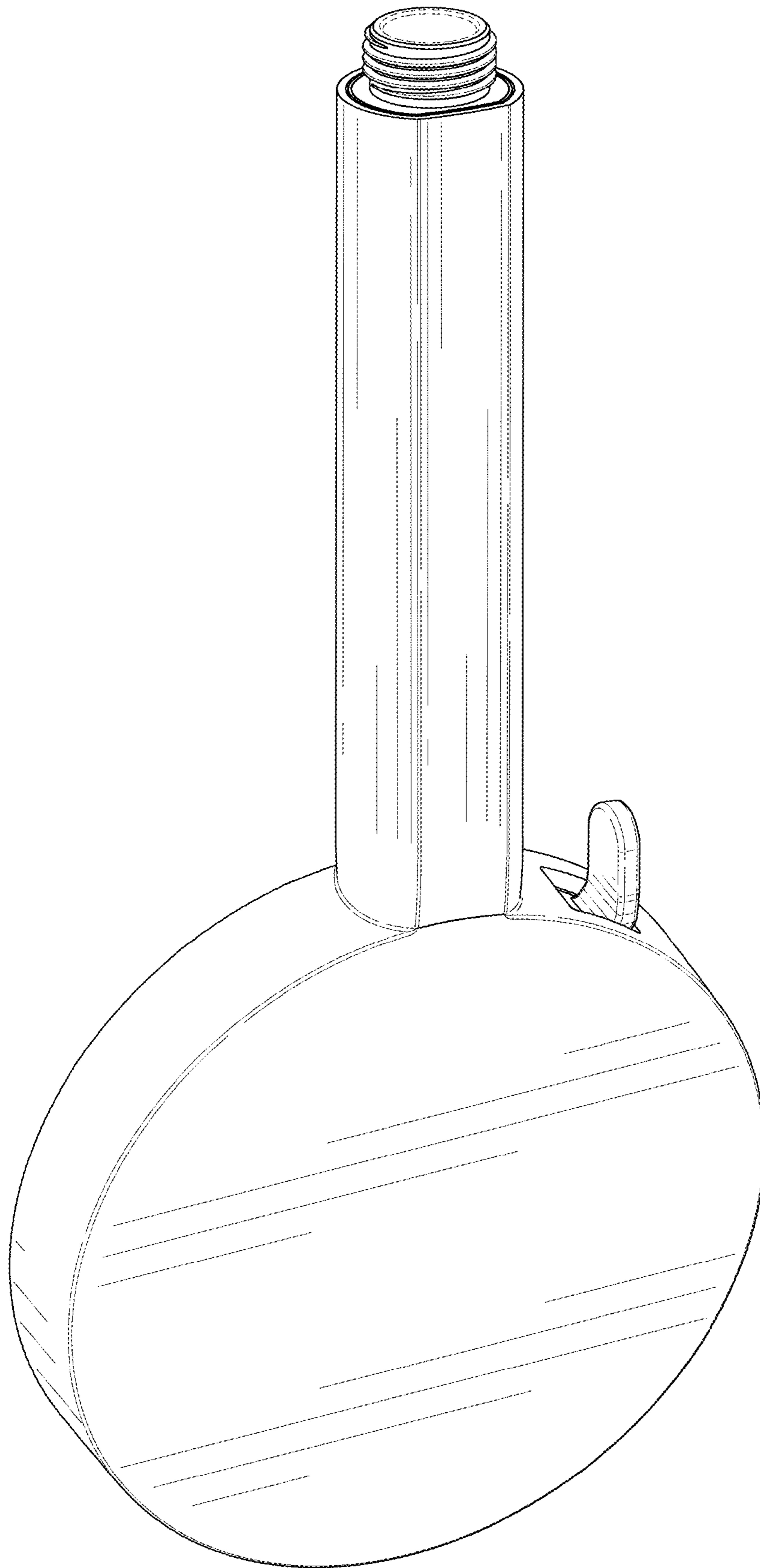


FIG. 2

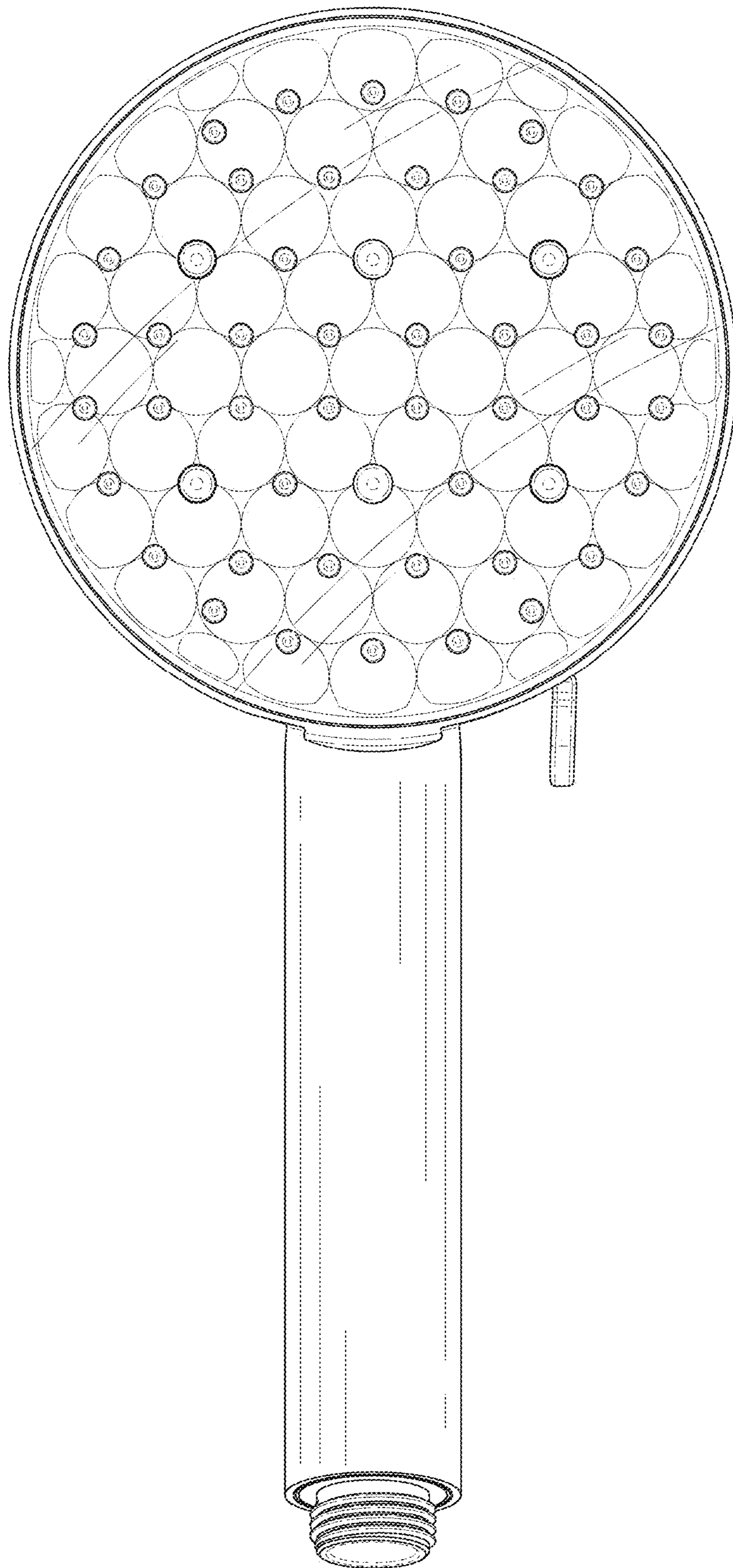


FIG. 3

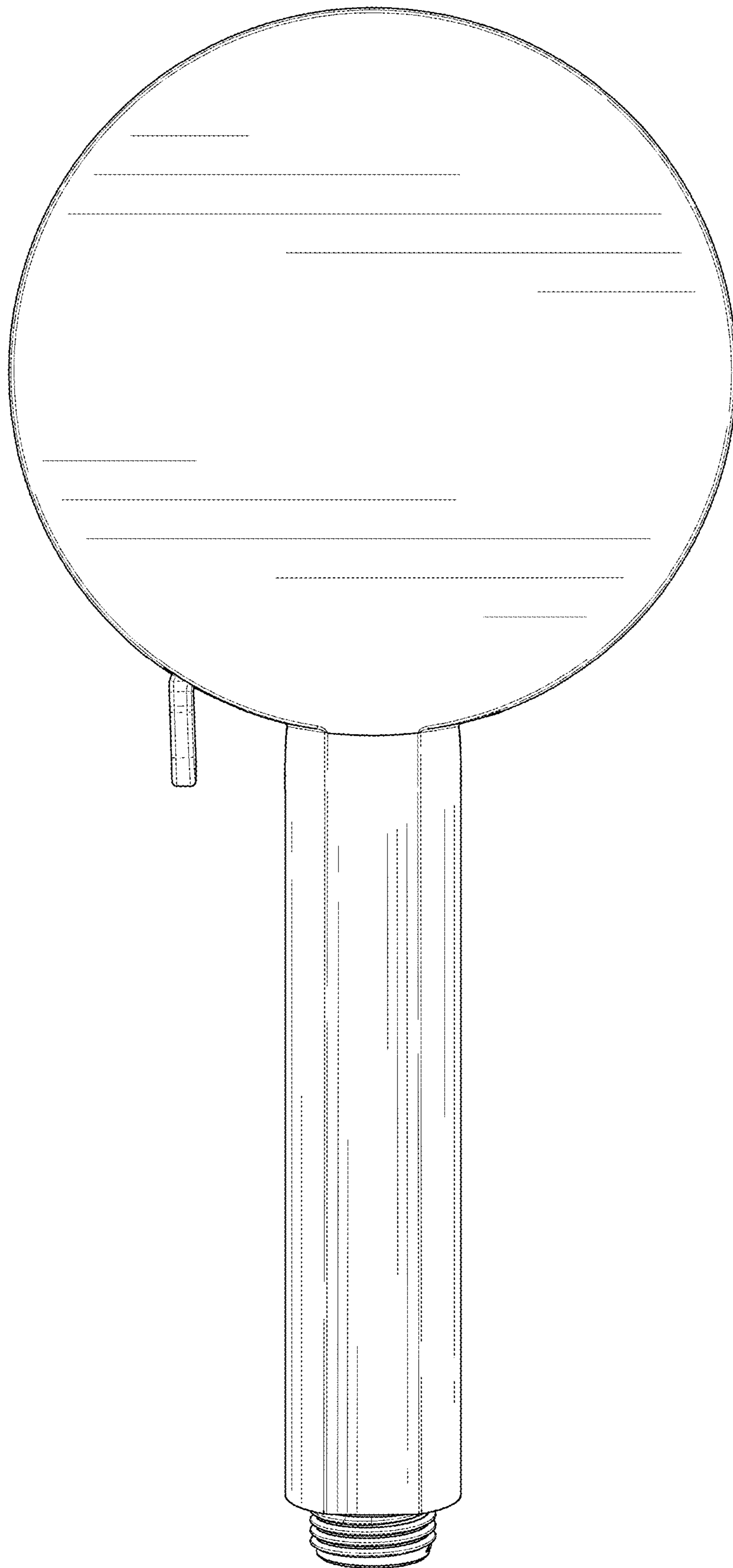


FIG. 4

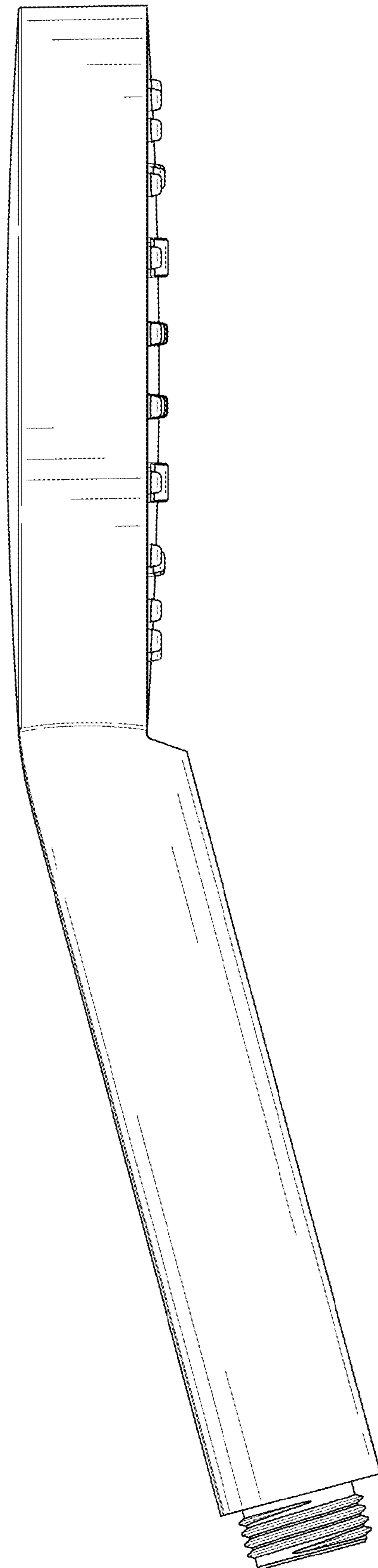


FIG. 5

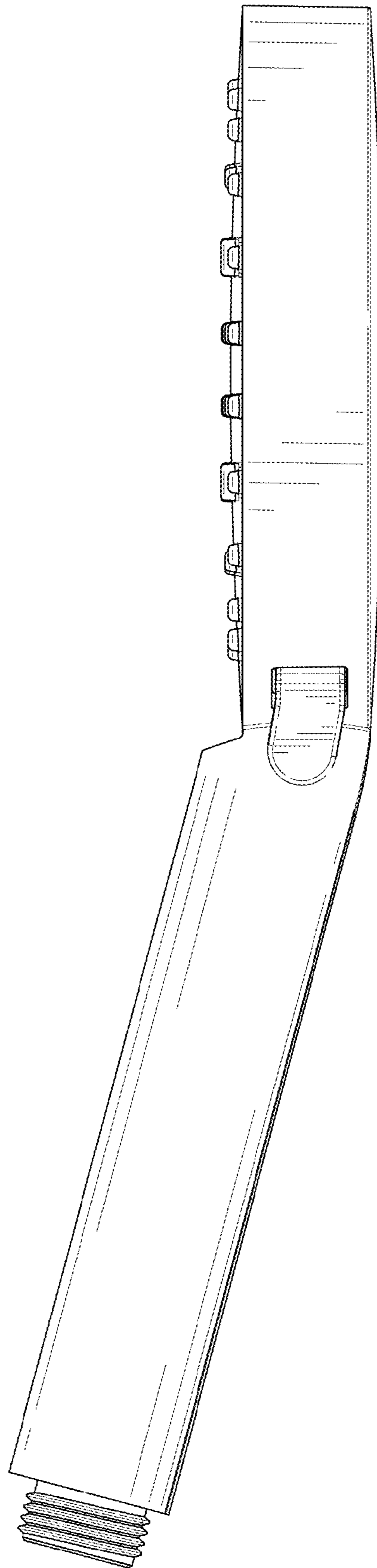


FIG. 6

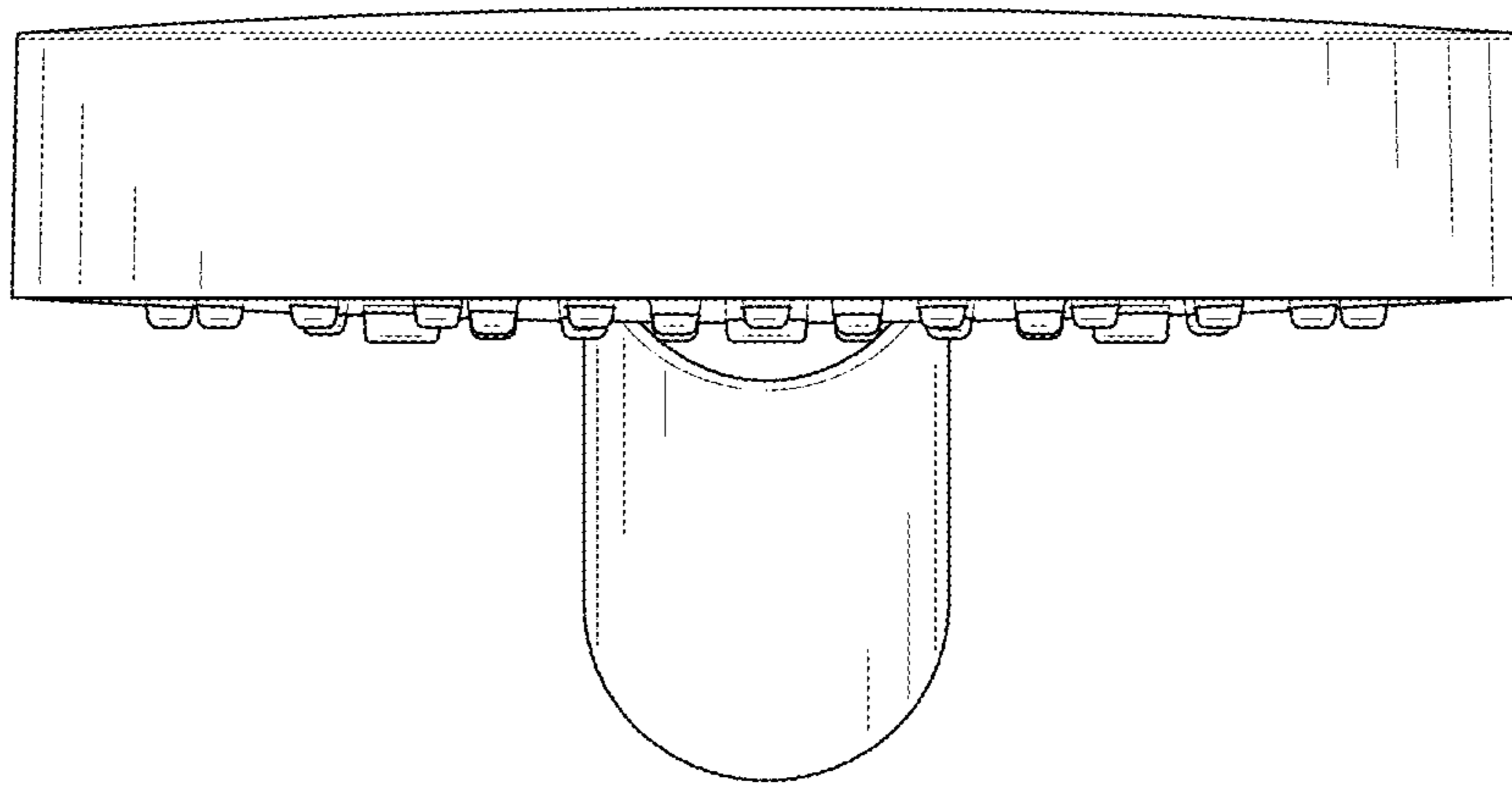


FIG. 7

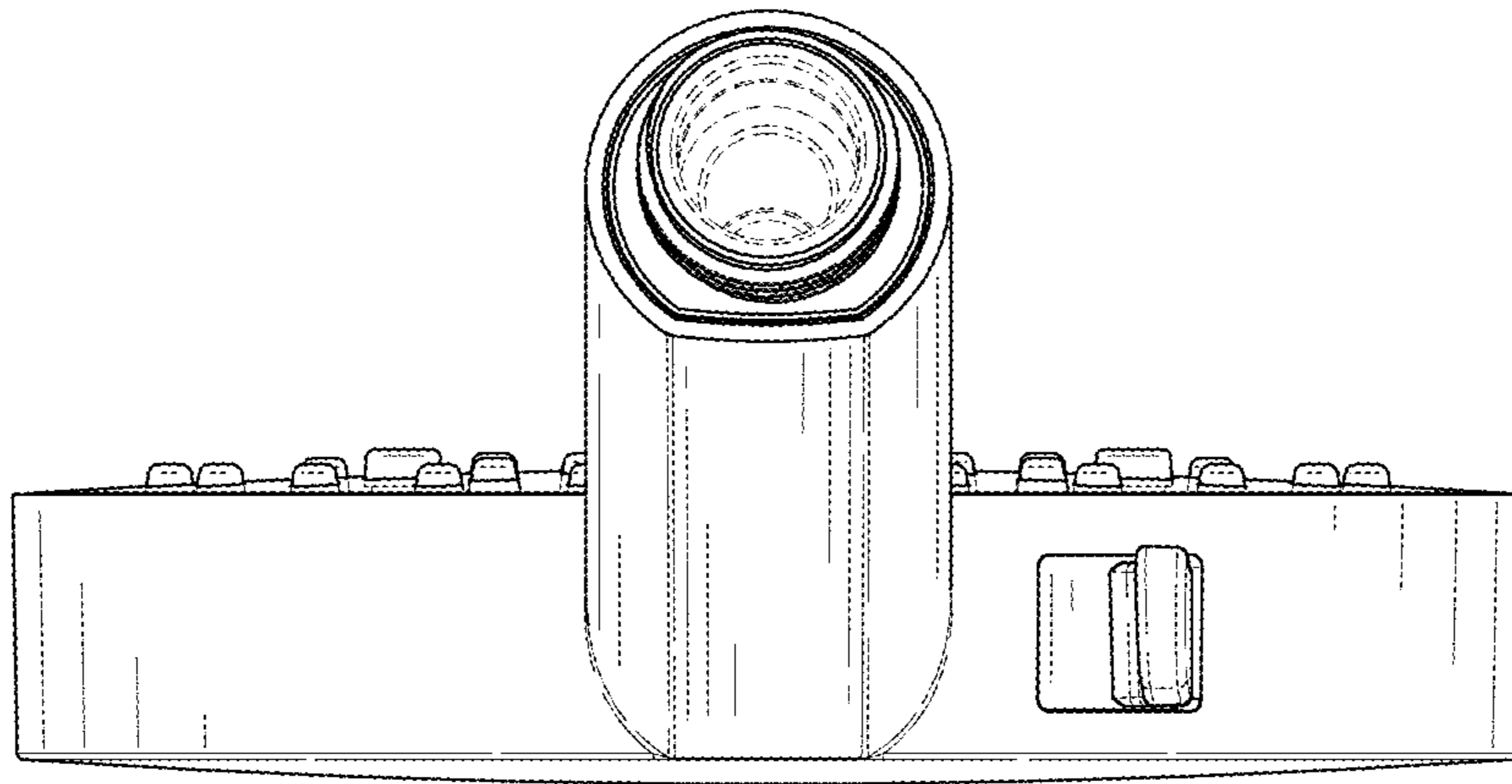


FIG. 8

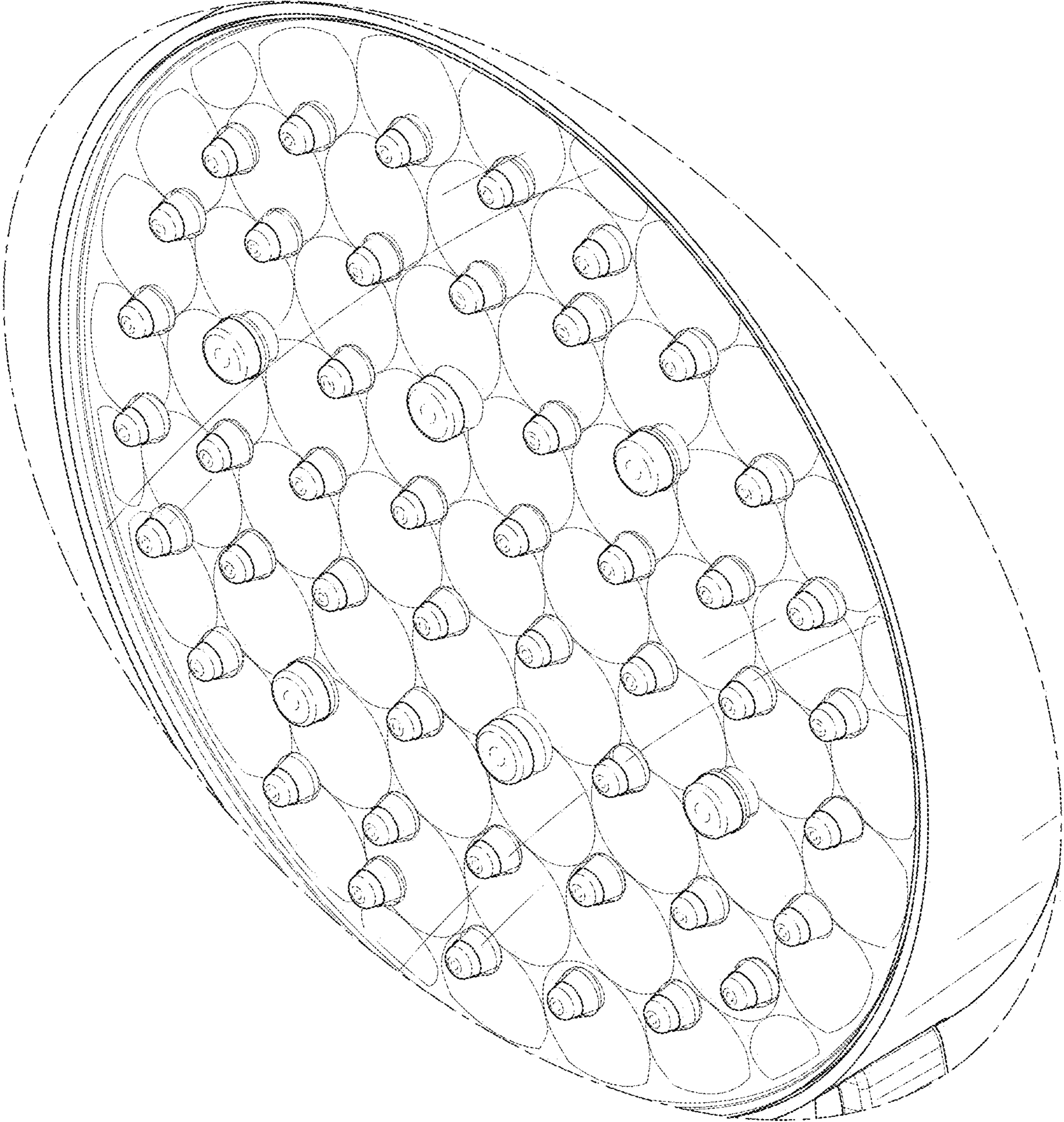


FIG. 9