



US00D944920S

(12) **United States Design Patent**
Lai et al.

(10) **Patent No.:** **US D944,920 S**
(45) **Date of Patent:** **** Mar. 1, 2022**

(54) **FAUCET AERATOR**

OTHER PUBLICATIONS

(71) Applicant: **KYLIN Sanitary Technology (Xiamen) Co., Ltd.**, Xiamen (CN)

(72) Inventors: **Cungui Lai**, Xiamen (CN); **Jiahao Du**, Xiamen (CN); **Denghui Bai**, Xiamen (CN); **Qingshuang Li**, Xiamen (CN)

(**) Term: **15 Years**

(21) Appl. No.: **29/763,228**

(22) Filed: **Dec. 22, 2020**

(51) **LOC (13) Cl.** **23-01**

(52) **U.S. Cl.**
USPC **D23/213**

(58) **Field of Classification Search**
USPC D23/213, 214, 215, 223, 224, 226, 229,
D23/230

CPC A61H 9/0021; A61H 33/00; B05B 1/00;
B05B 1/14; B05B 1/185; B05B 1/08;
B05B 1/02; B05B 1/26; B05B 12/002;
B05B 1/18; B05B 9/01

See application file for complete search history.

(56) **References Cited**

U.S. PATENT DOCUMENTS

3,358,934 A	*	12/1967	Moen	E03C 1/084
					239/443
D293,708 S	*	1/1988	Shames	D23/230
D674,877 S	*	1/2013	Jones	D23/213
D676,525 S	*	2/2013	Jones	D23/213
D868,936 S	*	12/2019	Schurle	D23/213
D905,820 S	*	12/2020	Wei	D23/213
D933,776 S	*	10/2021	Blum	D23/213

Faucet Aerator Male Thread 360-degree Swivel, Nov. 7, 2019, amazon.com, Nov. 18, 2021, URL: <https://www.amazon.com/360-degree-Kitchen-Sink-Replacement-Nozzle-15-Inch-27UNS/dp/B07ZPTDQYJ> (Year: 2019).*

720 Degree Swivel Sink Faucet Aerator, 720° Big Angle Dual Function, Dec. 20, 2020, amazon.com, Nov. 18, 2021, URL: <https://www.amazon.com/HOTLLR-Kitchen-Aerator-function-Sprayer/dp/B08R2QSRBQ/> (Year: 2020).*

360 Degree Swivel Sink Faucet Aerator, Big Angle High Pressure Large Flow Aerator, Jun. 23, 2020, amazon.com, Nov. 18, 2020, URL: <https://www.amazon.com/Waternymph-Aerator-Function-Brushed-Nickel-Pressure/dp/B0882PFMD1> (Year: 2020).*

* cited by examiner

Primary Examiner — Jack Reickel
Assistant Examiner — Keith J Wilson

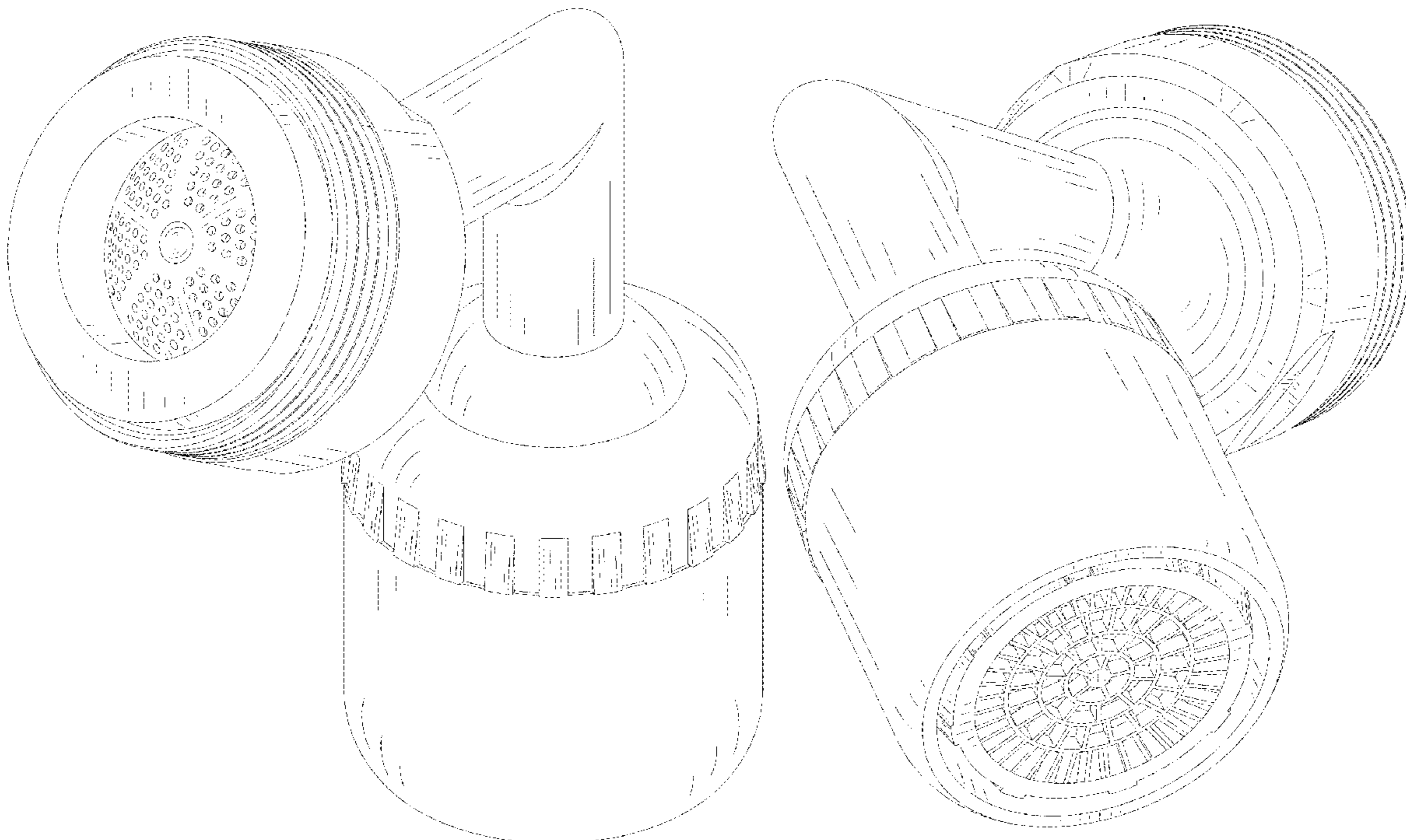
(57) **CLAIM**

The ornamental design for a faucet aerator, as shown and described.

DESCRIPTION

FIG. 1 is a top front perspective view of a faucet aerator showing the claimed design;
FIG. 2 is a bottom front perspective view thereof;
FIG. 3 is a front elevational view thereof;
FIG. 4 is a rear elevational view thereof;
FIG. 5 is a left side elevational view thereof;
FIG. 6 is a right side elevational view thereof;
FIG. 7 is a top plan view thereof; and,
FIG. 8 is a bottom plan view thereof.

1 Claim, 8 Drawing Sheets



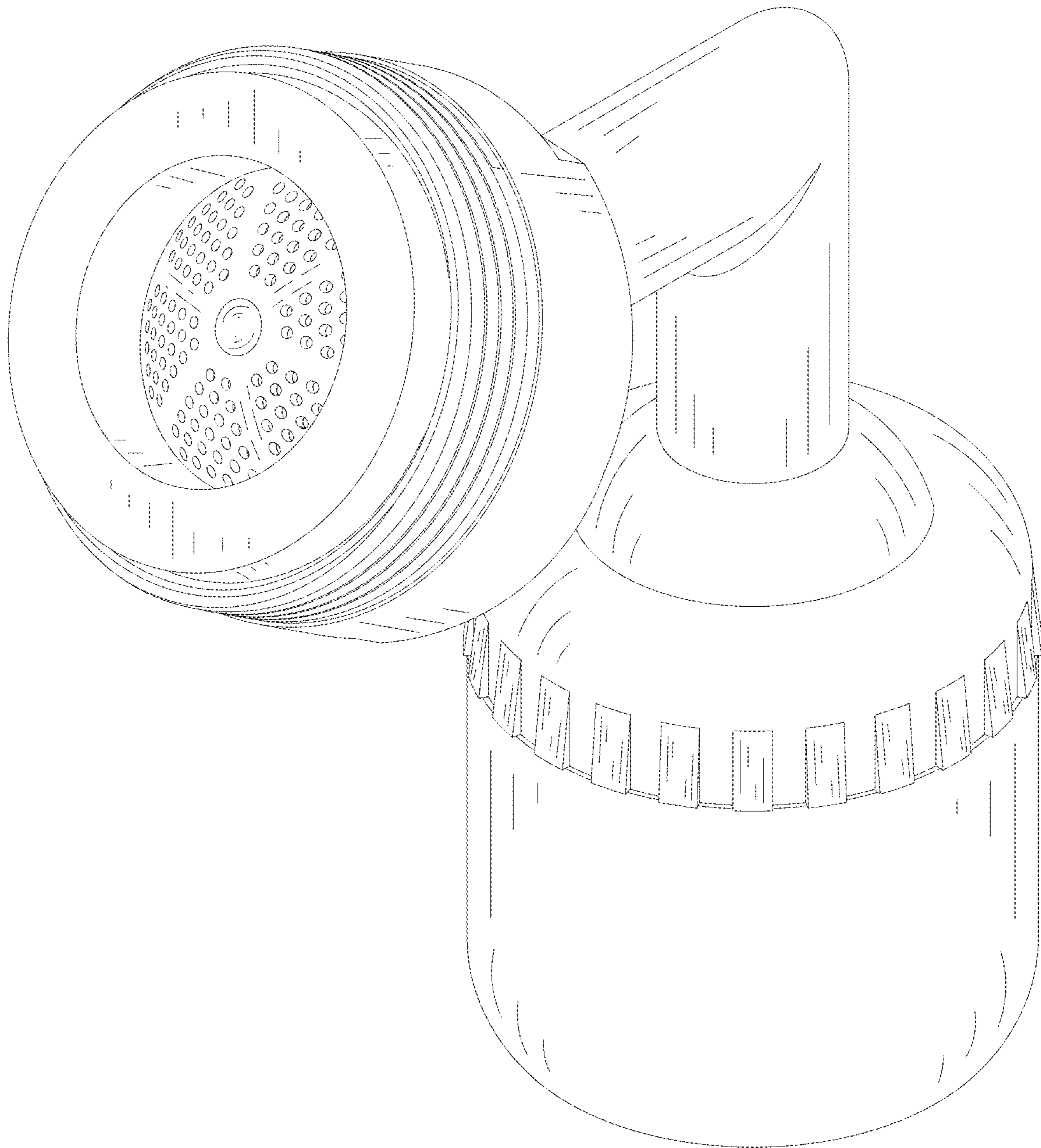


Fig. 1

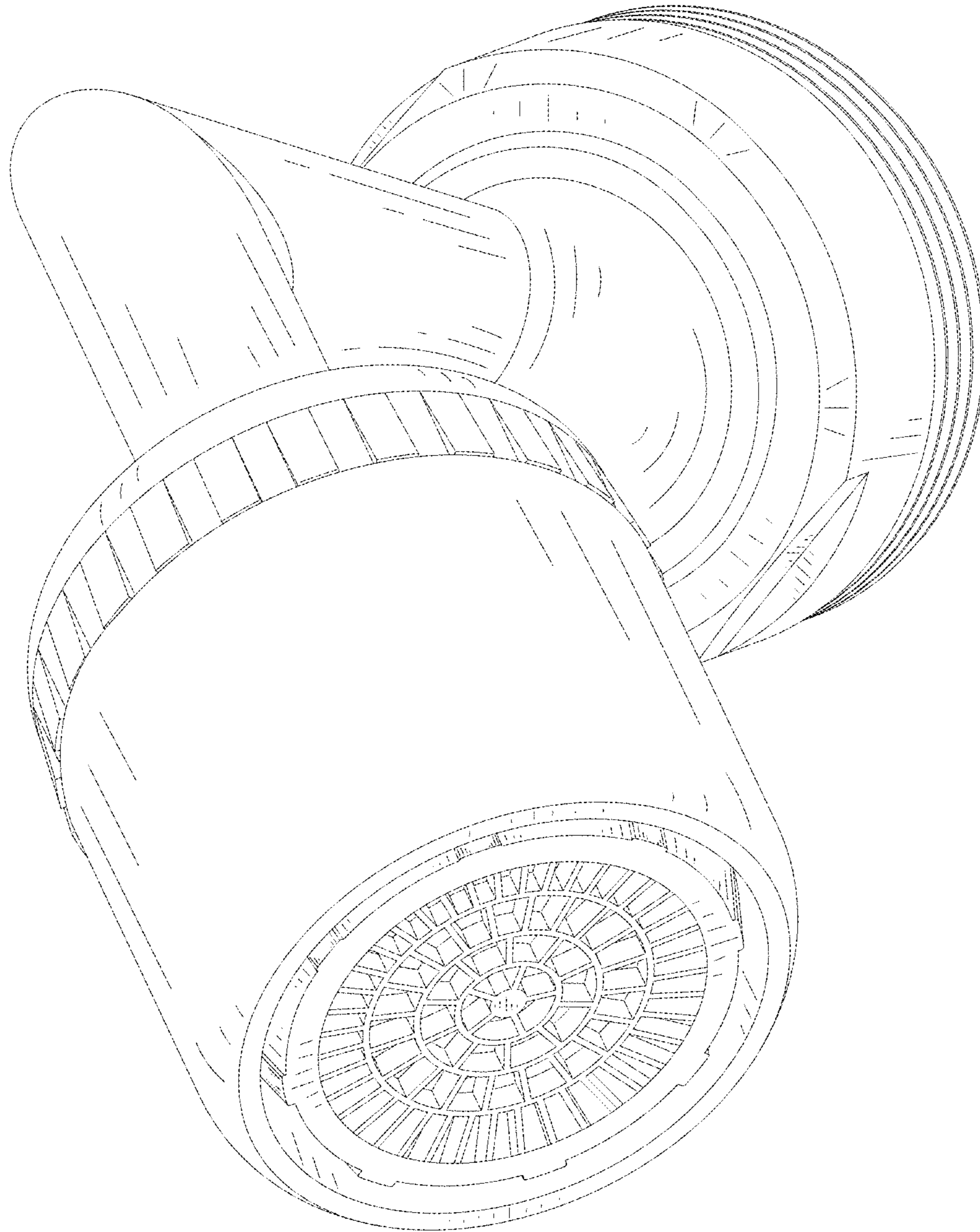


Fig. 2

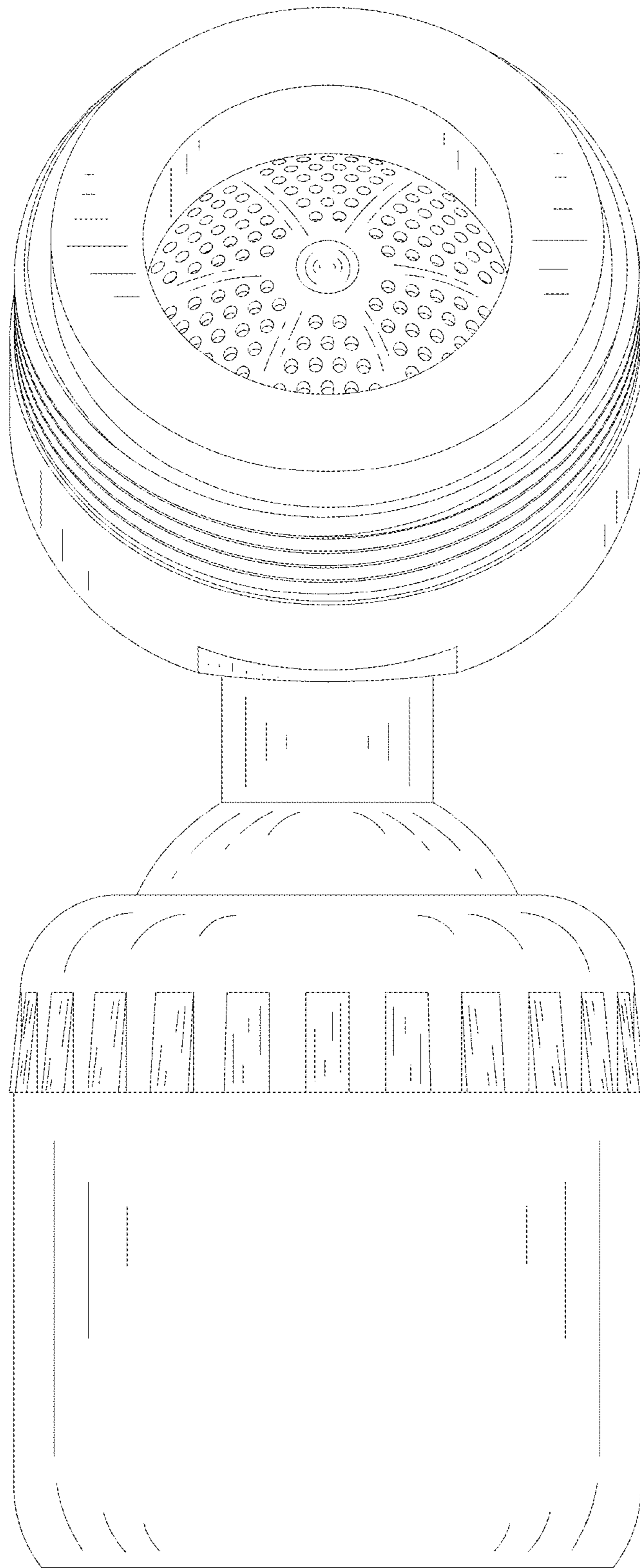


Fig. 3

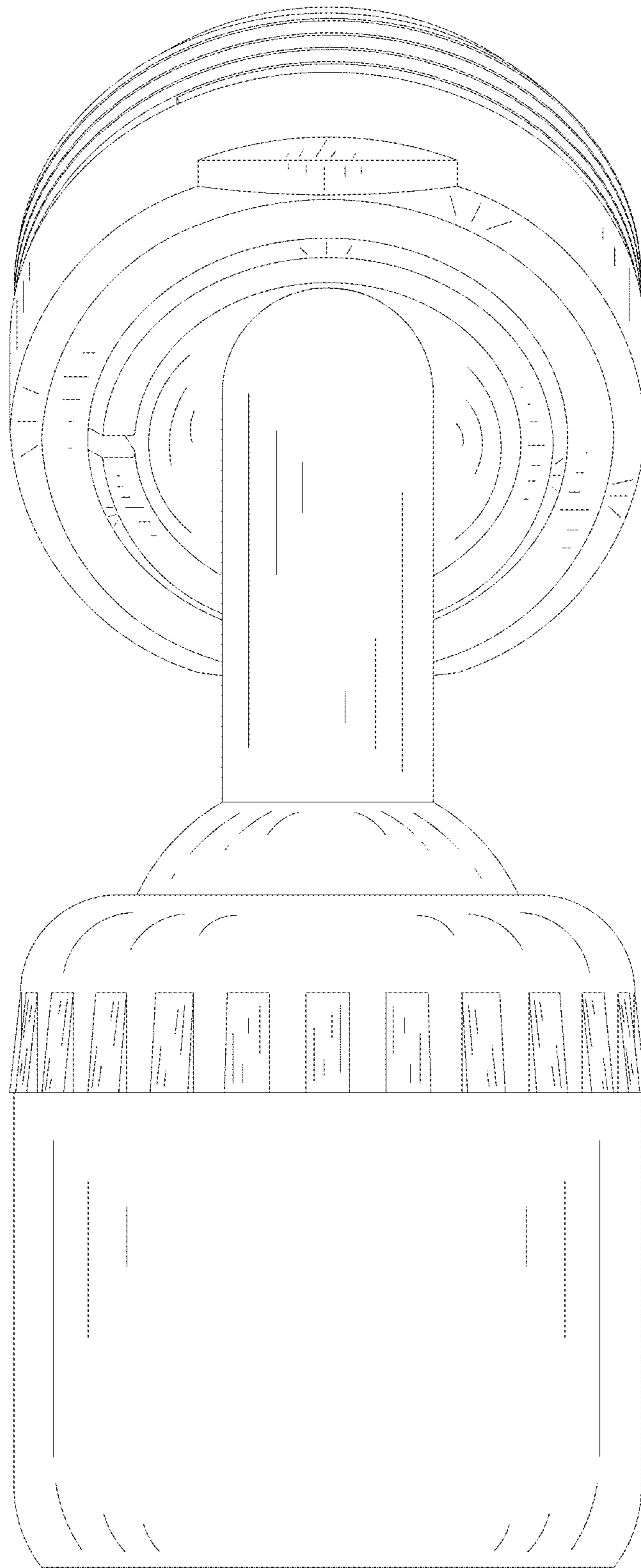


Fig. 4

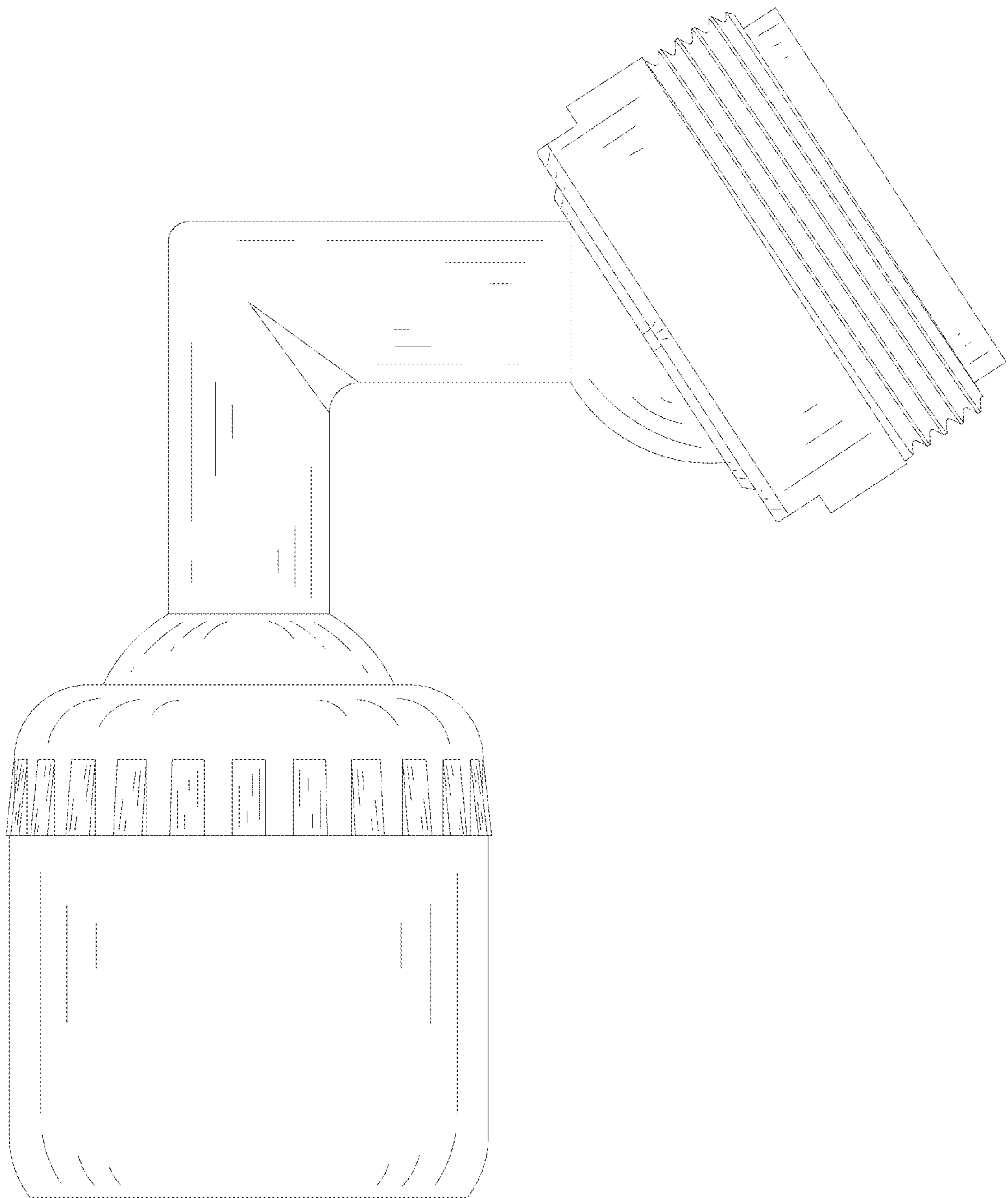


Fig. 5

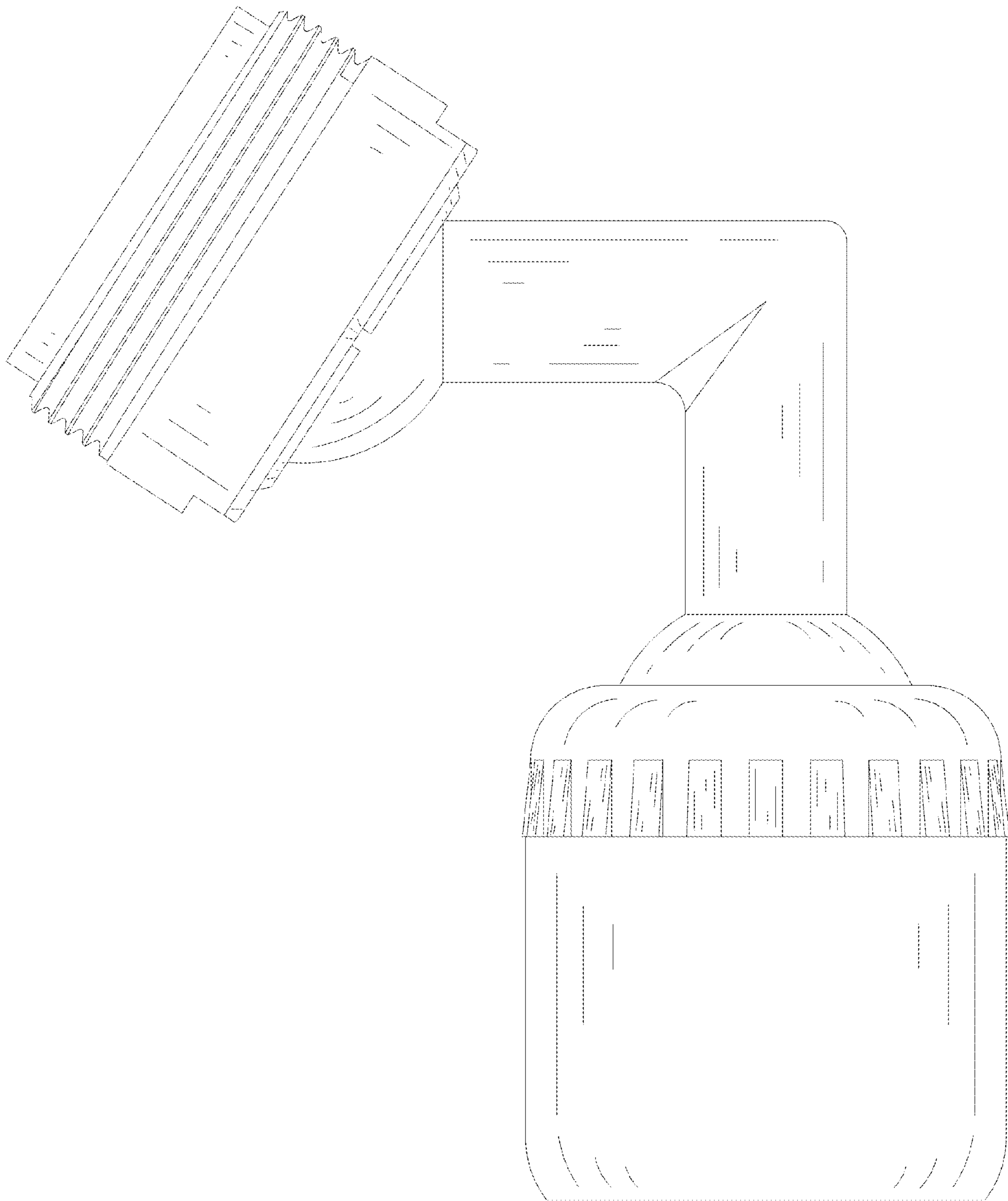


Fig. 6

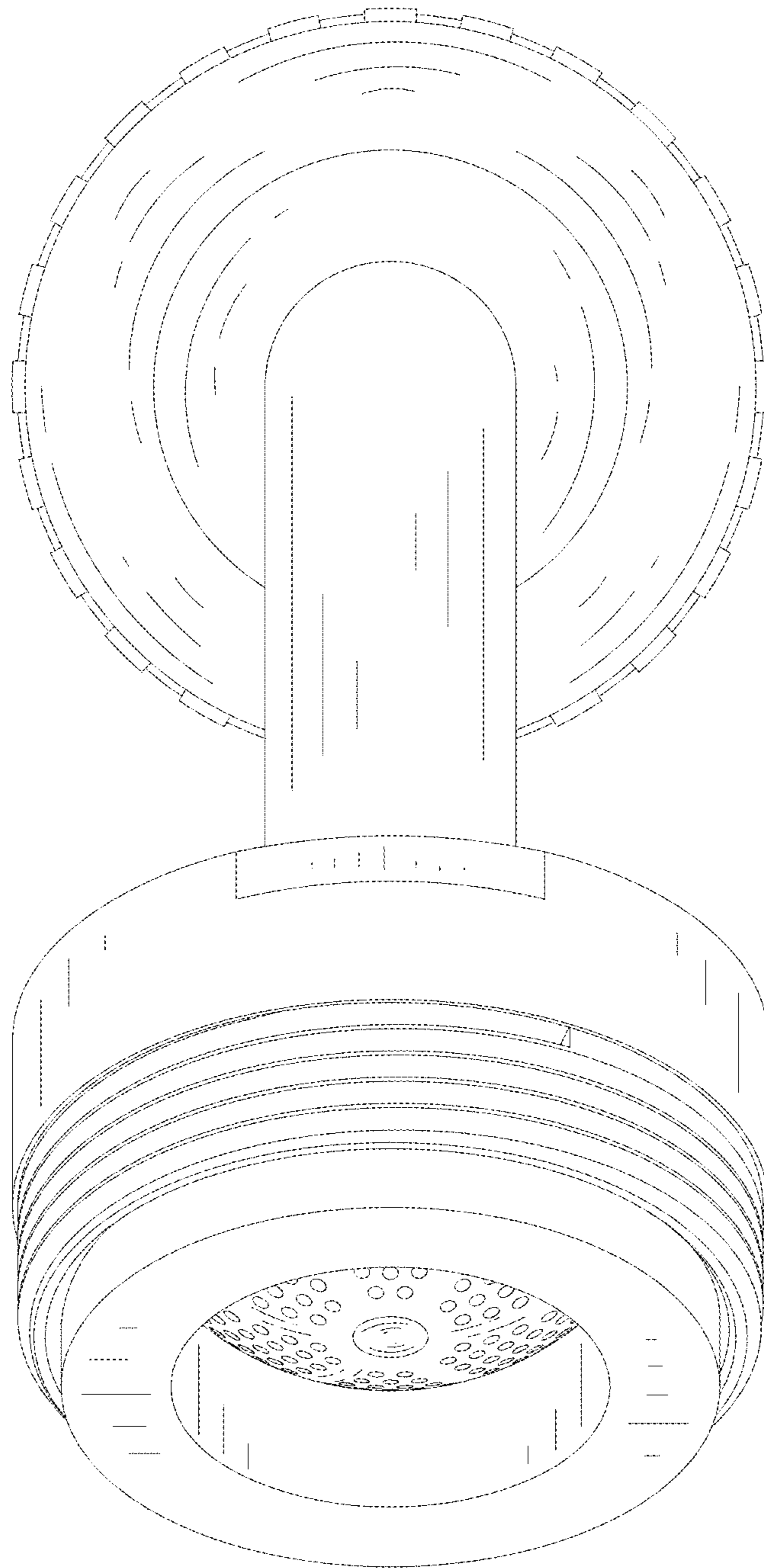


Fig. 7

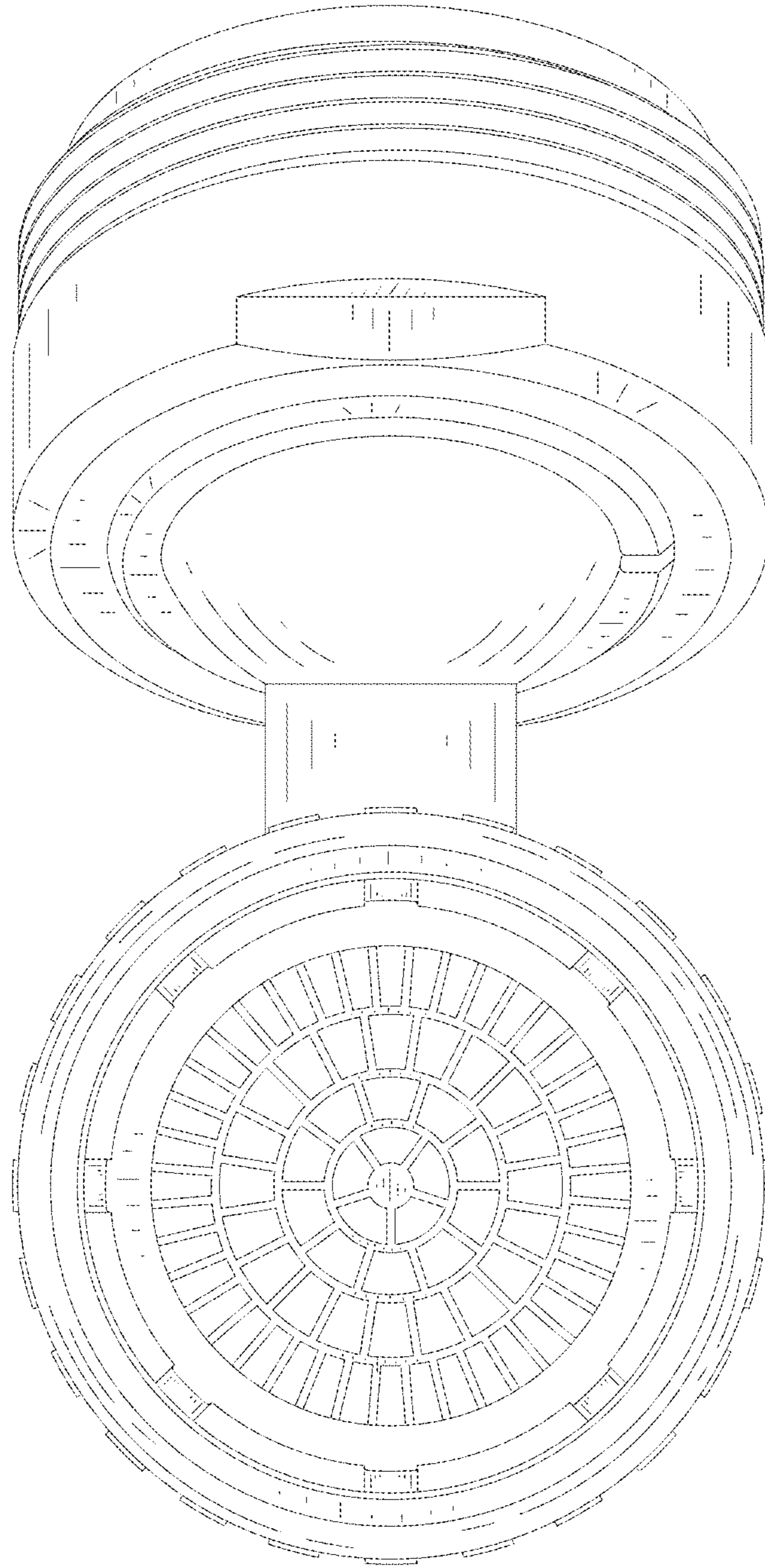


Fig. 8