

US00D944918S

(12) **United States Design Patent** (10) **Patent No.:** **US D944,918 S**  
**Jurczyszak et al.** (45) **Date of Patent:** **\*\* Mar. 1, 2022**

- (54) **FAUCET STEAM SHIELD**
- (71) Applicant: **Rheem Manufacturing Company**,  
Atlanta, GA (US)
- (72) Inventors: **Eric R. Jurczyszak**, Waterbury, CT  
(US); **Sergiu G. Mihu**, Waterbury, CT  
(US); **Christopher M. Hayden**,  
Waterbury, CT (US); **Lejsan Jusufi**,  
Waterbury, CT (US)
- (73) Assignee: **Rheem Manufacturing Company**,  
Atlanta, GA (US)
- (\*\*) Term: **15 Years**
- (21) Appl. No.: **29/650,080**
- (22) Filed: **Jun. 4, 2018**
- (51) **LOC (13) Cl.** ..... **23-01**
- (52) **U.S. Cl.**  
USPC ..... **D23/213**
- (58) **Field of Classification Search**  
USPC ..... D23/207, 213, 214, 215, 223, 224, 225,  
D23/226, 229, 230  
CPC ..... A61H 9/0021; A61H 33/00; B05B 1/00;  
B05B 1/14; B05B 1/185; B05B 1/08;  
B05B 1/02; B05B 1/26; B05B 12/002;  
B05B 1/18; B05B 9/01  
See application file for complete search history.

- D714,906 S \* 10/2014 Williams ..... D23/213
- D715,897 S \* 10/2014 Spraw ..... D23/213
- D748,223 S \* 1/2016 Williams ..... D23/213
- D758,531 S \* 6/2016 Williams ..... D23/213
- D758,552 S \* 6/2016 Rexach ..... D23/255
- D803,284 S \* 11/2017 Williams ..... D15/138

(Continued)

**OTHER PUBLICATIONS**

KES Bathroom Kitchen Faucet Head Replacement Part Pull-Out  
Spray Head Brushed Nickel, Apr. 1, 2015, amazon.com, Oct. 4,  
2021, URL: [https://www.amazon.com/Bathroom-Kitchen-Pull-Out-  
Replacement-Brushed/dp/B00VHOFVQQ](https://www.amazon.com/Bathroom-Kitchen-Pull-Out-Replacement-Brushed/dp/B00VHOFVQQ) (Year: 2015).\*

(Continued)

*Primary Examiner* — Jack Reickel  
*Assistant Examiner* — Keith J Wilson  
(74) *Attorney, Agent, or Firm* — Troutman Pepper  
Hamilton Sanders LLP

(57) **CLAIM**

The ornamental design for a faucet steam shield, as shown  
and described.

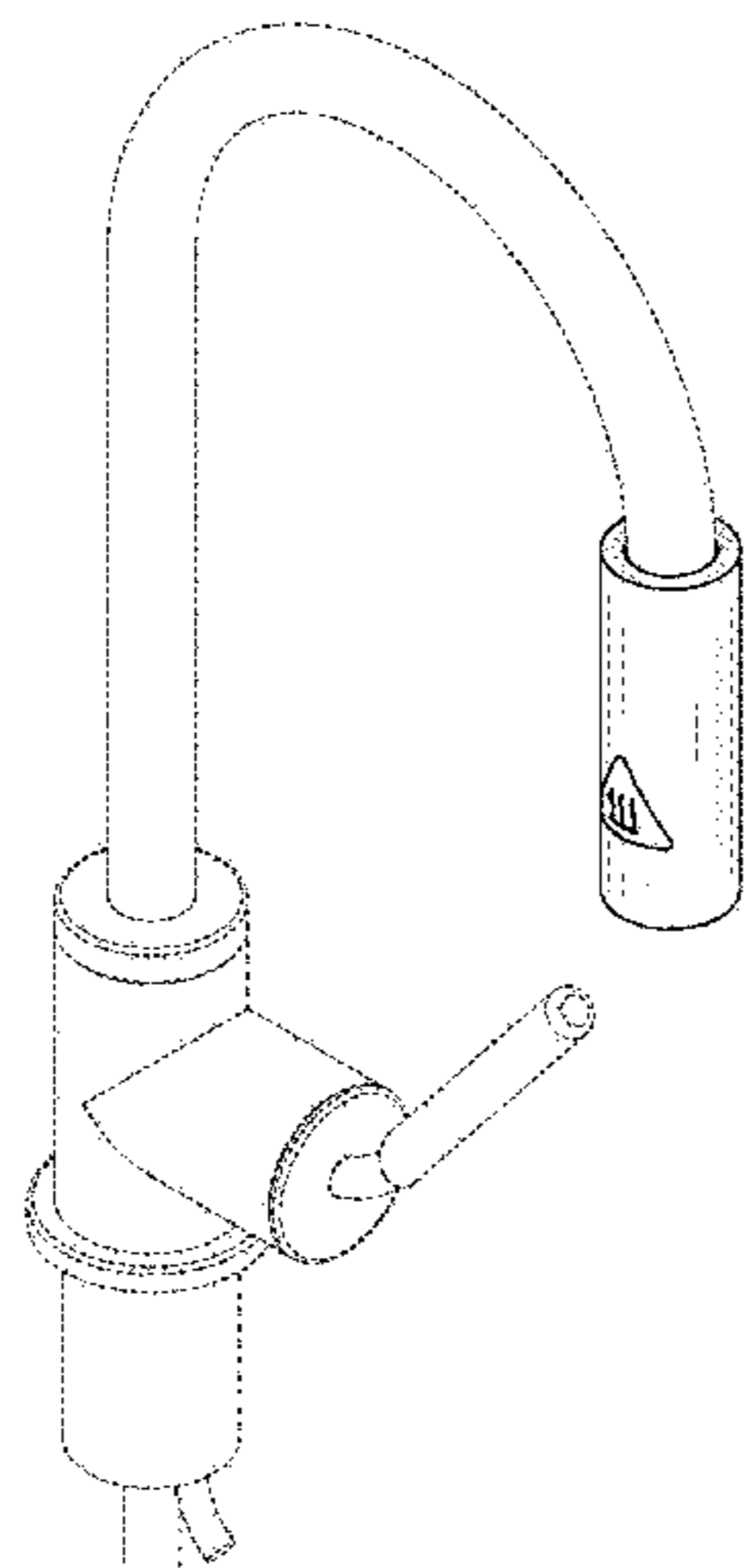
**DESCRIPTION**

FIG. 1 is a top perspective view of our new design for a  
faucet steam shield;  
FIG. 2 is a bottom perspective view thereof;  
FIG. 3 is a right side elevation view thereof;  
FIG. 4 is a left side elevation view thereof;  
FIG. 5 is a front elevation view thereof;  
FIG. 6 is a back elevation view thereof;  
FIG. 7 is a top plan view thereof; and,  
FIG. 8 is a bottom view thereof.  
The broken lines showing in FIGS. 1, 3-7 represent envi-  
ronment and the broken lines in FIGS. 2 & 8 represent  
portion of a faucet steam shield and environment and form  
no part of the claimed design.

**1 Claim, 6 Drawing Sheets**

(56) **References Cited**  
U.S. PATENT DOCUMENTS

- 4,437,103 A \* 3/1984 Ikeda ..... B41J 2/162  
239/601
- D646,761 S \* 10/2011 Sedwick ..... D23/226
- D694,853 S \* 12/2013 Williams ..... D23/213
- D714,902 S \* 10/2014 Williams ..... B05C 17/00516  
D23/213
- D714,903 S \* 10/2014 Williams ..... B05C 17/00516  
D23/213
- D714,904 S \* 10/2014 Williams ..... B05C 17/00516  
D23/213
- D714,905 S \* 10/2014 Williams ..... D23/213



(56)

**References Cited**

## U.S. PATENT DOCUMENTS

D819,169	S	*	5/2018	Osborne	.....	D23/213
D853,524	S	*	7/2019	Song	.....	D23/213
D854,651	S	*	7/2019	Verrett, Jr.	.....	D23/213
D867,523	S	*	11/2019	Tentler	.....	D23/213
D867,524	S	*	11/2019	Tentler	.....	D23/213
D876,582	S	*	2/2020	Eads	.....	D23/213
D878,519	S	*	3/2020	Abbhagen	.....	D23/213
D886,944	S	*	6/2020	Harmon	.....	D23/213
D908,187	S	*	1/2021	Tobler	.....	D23/213
D914,841	S	*	3/2021	Zhang	.....	D23/226
D914,843	S	*	3/2021	Zhang	.....	D23/226
D923,141	S	*	6/2021	Slamans	.....	D23/223
D924,355	S	*	7/2021	Diefenbach	.....	D23/213
D924,358	S	*	7/2021	Park	.....	D23/214

## OTHER PUBLICATIONS

Gordee Pull Down Spray Head for Kitchen Faucet, col. Shape 2-Function Kitchen Bathroom Sink Faucet, Jun. 26, 2019, Amazon.com, Oct. 4, 2021, URL: <https://www.amazon.com/dp/B07TLBQCFP> (Year: 2019).\*

APPASO Kitchen Faucet Pull Down Sprayer Head Replacement, 2 Function Sprayer, Apr. 19, 2019, amazon.com, Oct. 4, 2021. URL: <https://www.amazon.com/APPASO-Kitchen-Replacement-Function-APSP163BN/dp/B082NXG7SV> (Year: 2019).\*

Moen Riley Pull-Down Spray High-Arc Kitchen Faucet; Product Specification; 12/15.

Avola High Quality Brushed Nickel Solid Brass Kitchen Sink Mixer Tap with Cylindrical Dual Functional Pull Out Sprayer; Amazon; Jul. 30, 2017.

\* cited by examiner

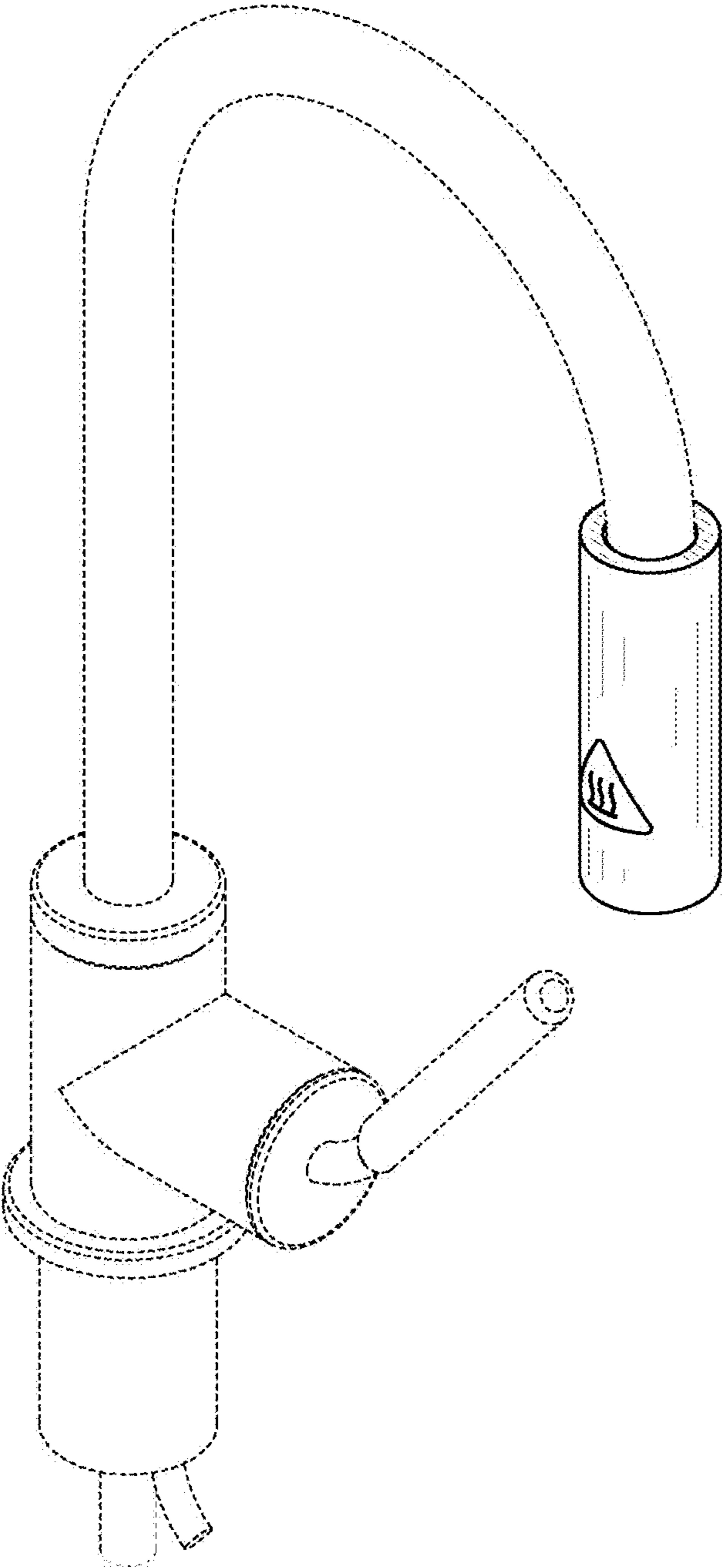


FIG. 1

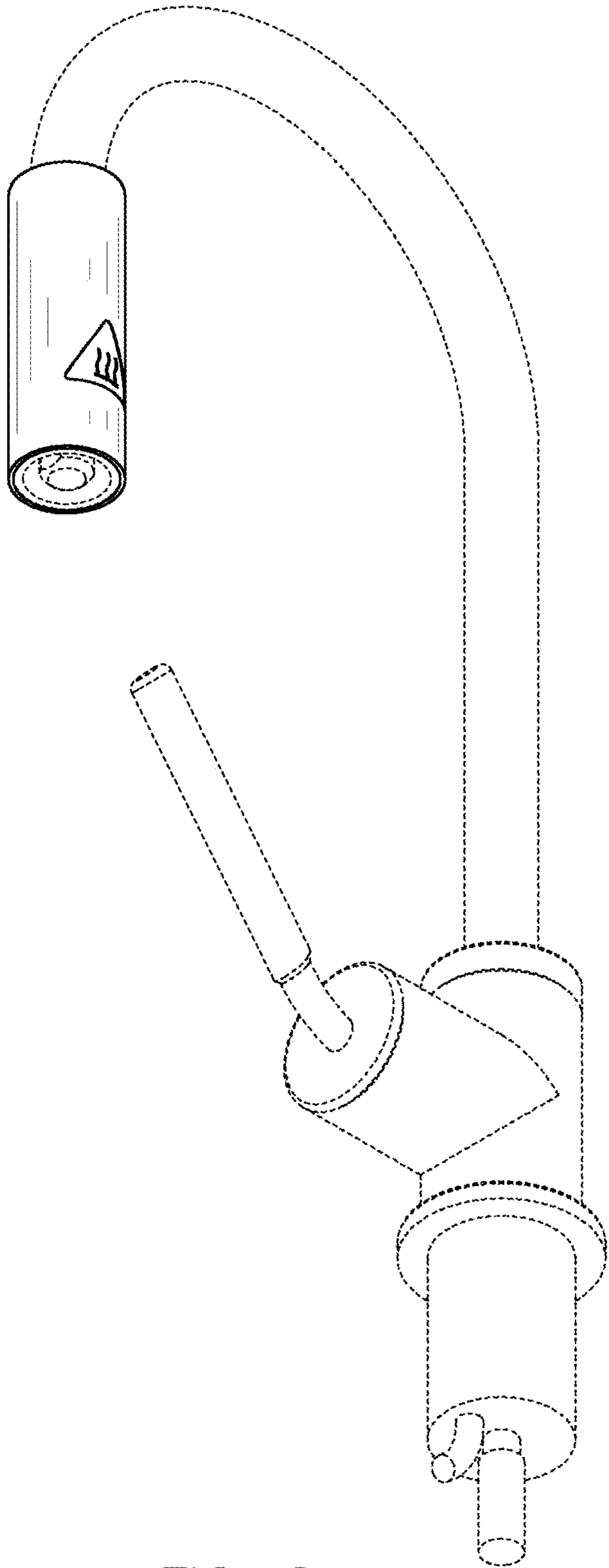


FIG. 2

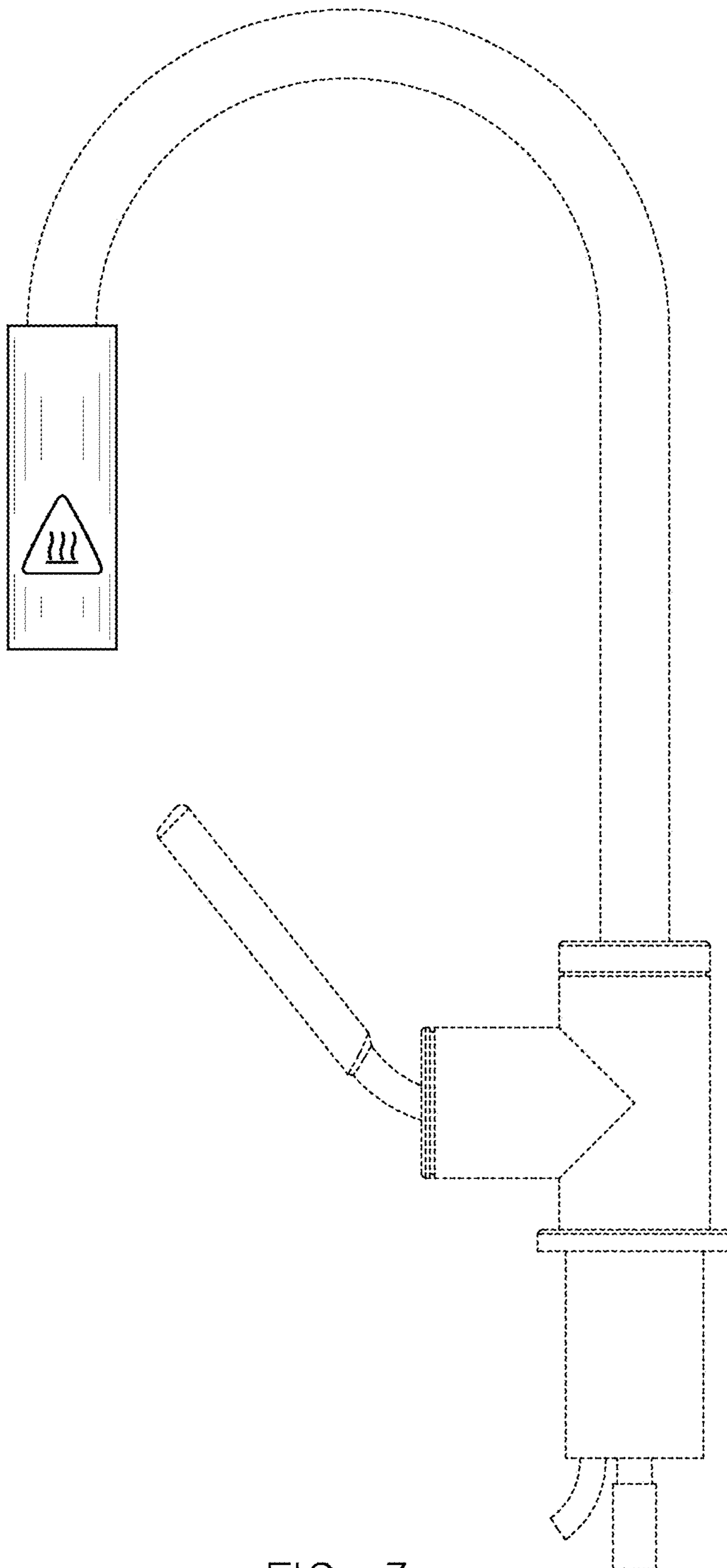


FIG. 3

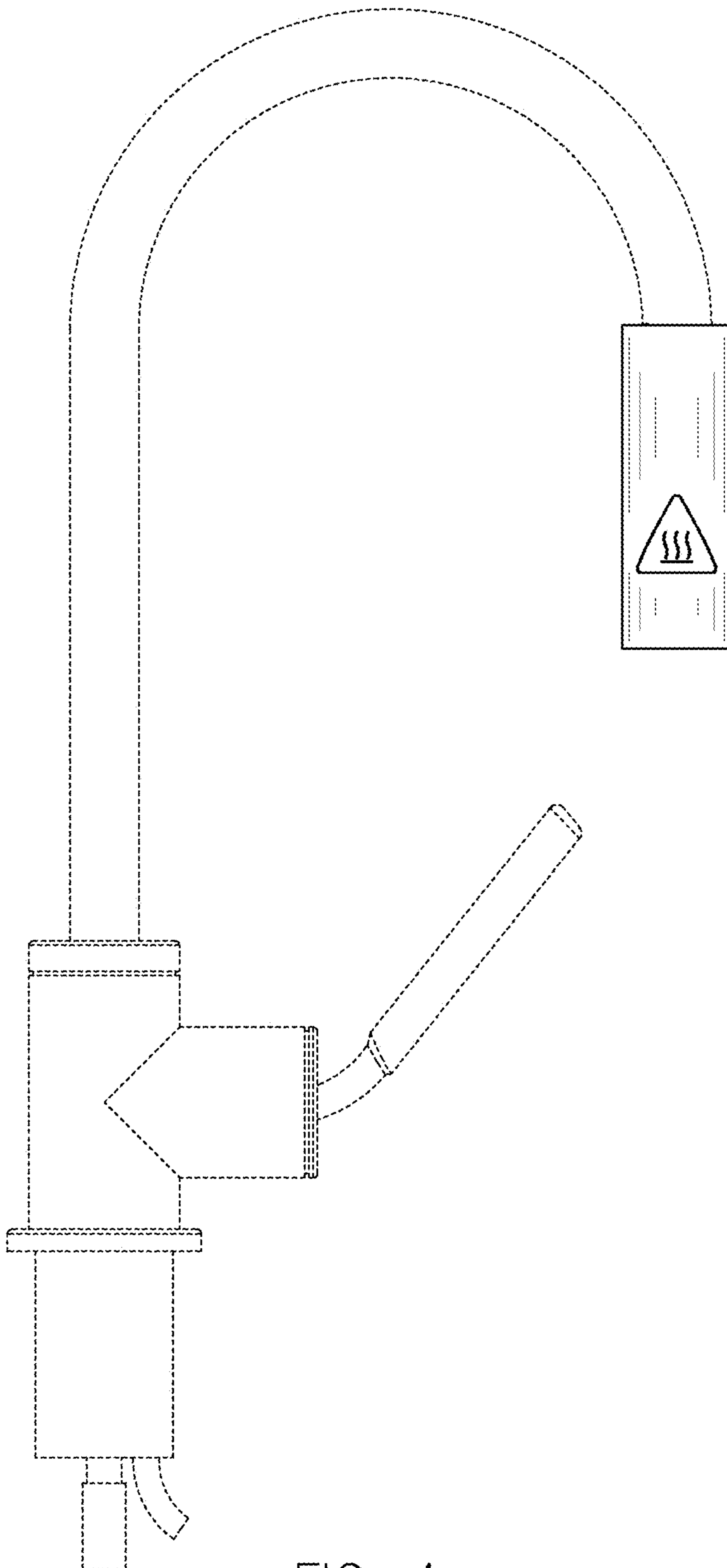


FIG. 4

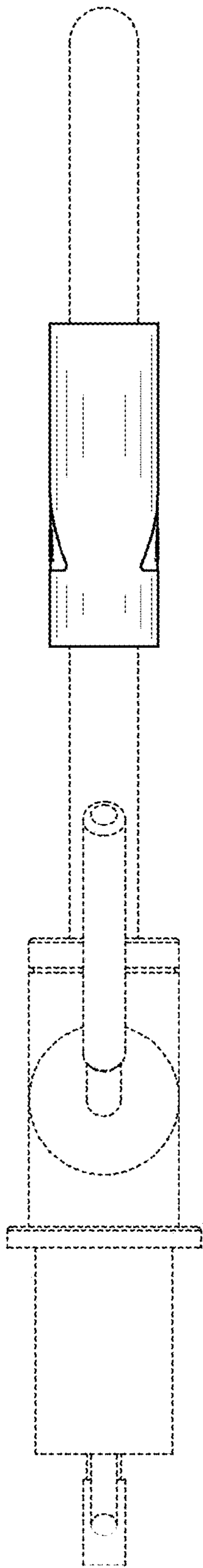


FIG. 5

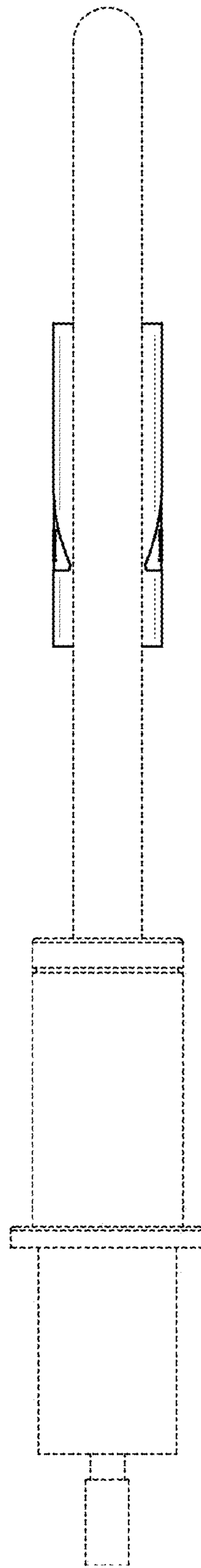


FIG. 6

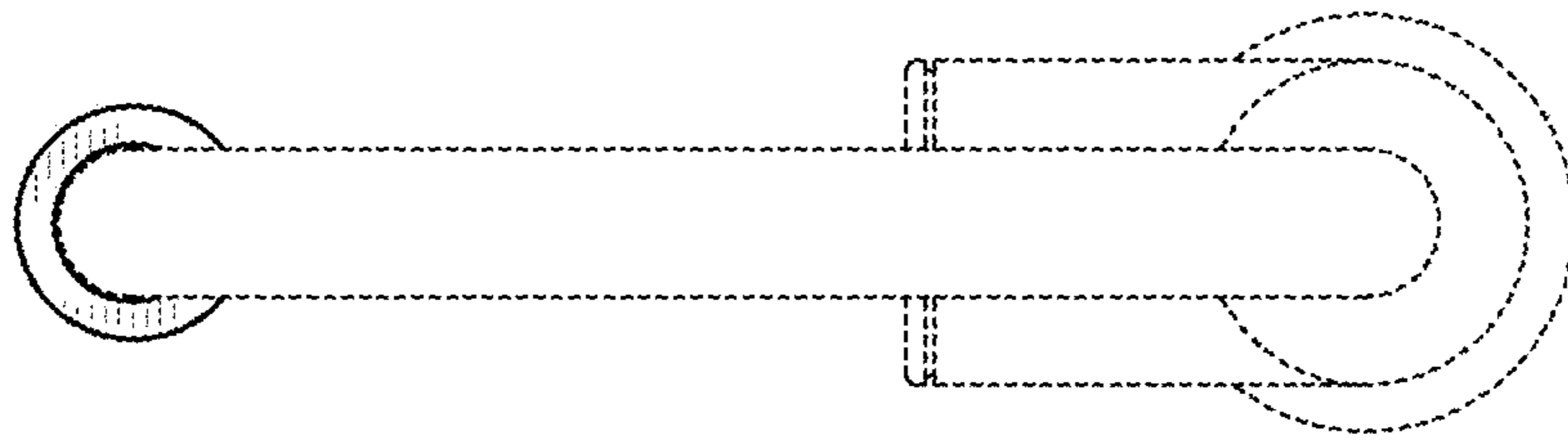


FIG. 7

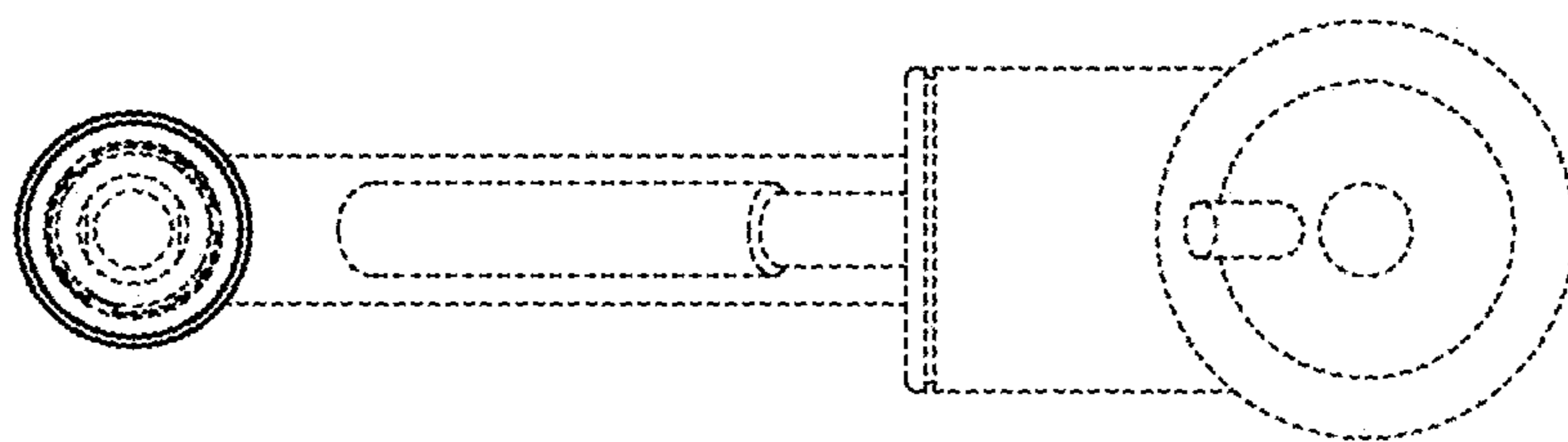


FIG. 8