



US00D944916S

(12) **United States Design Patent** (10) **Patent No.:** **US D944,916 S**  
**Chen et al.** (45) **Date of Patent:** **\*\* Mar. 1, 2022**

(54) **SOLAR FOUNTAIN**

(71) Applicant: **Giant Electric Tech Inc**, Shenzhen (CN)

(72) Inventors: **Hui Chen**, Shenzhen (CN); **Dui He**, Shenzhen (CN)

(\*\*) Term: **15 Years**

(21) Appl. No.: **29/759,997**

(22) Filed: **Nov. 27, 2020**

(30) **Foreign Application Priority Data**

May 29, 2020 (CN) ..... 202030259789.9

(51) **LOC (13) Cl.** ..... **23-01**

(52) **U.S. Cl.**  
USPC ..... **D23/201**

(58) **Field of Classification Search**  
USPC ..... D23/200, 201, 213, 214  
CPC .. A01K 7/00; A01K 7/02; B05B 17/08; F24S 25/10; F24S 25/70; Y02E 10/47  
See application file for complete search history.

(56) **References Cited**

**U.S. PATENT DOCUMENTS**

D576,249 S *	9/2008	Camacho	.....	D23/201
D604,804 S *	11/2009	VanEerden	.....	D23/214
D631,128 S *	1/2011	Laporta	.....	D23/201
D669,964 S *	10/2012	Arkalgud	.....	D23/214
D723,917 S *	3/2015	Koffel	.....	D9/447
D764,117 S *	8/2016	Fang	.....	D30/132
D793,530 S *	8/2017	Hegdahl	.....	D23/225
D820,533 S *	6/2018	Huang	.....	D30/132
D841,769 S *	2/2019	Tappeiner	.....	D23/201
D841,771 S *	2/2019	Tappeiner	.....	D23/201
D865,660 S *	11/2019	Jing	.....	D13/102
D877,855 S *	3/2020	Wei	.....	D23/201
D880,657 S *	4/2020	Brame	.....	D23/218
D899,558 S	10/2020	Wei et al.		

**OTHER PUBLICATIONS**

Gocheer Fountain found on Apr. 1, 2021 at: <https://www.amazon.com/Gocheer-Upgraded-Fountain-Birdbath-Aquarium/dp/B08SM4RTWW/> (Year: 2021).\*

Okmee Fountain found on Apr. 1, 2021 at: <https://www.amazon.com/OKMEE-Fountain-Upgraded-Powered-Aquarium/dp/B0836KW4LP/> (Year: 2020).\*

\* cited by examiner

*Primary Examiner* — Karen S Acker

*Assistant Examiner* — Jonathan E Fiencke

(57) **CLAIM**

The ornamental design for a solar fountain, as shown and described.

**DESCRIPTION**

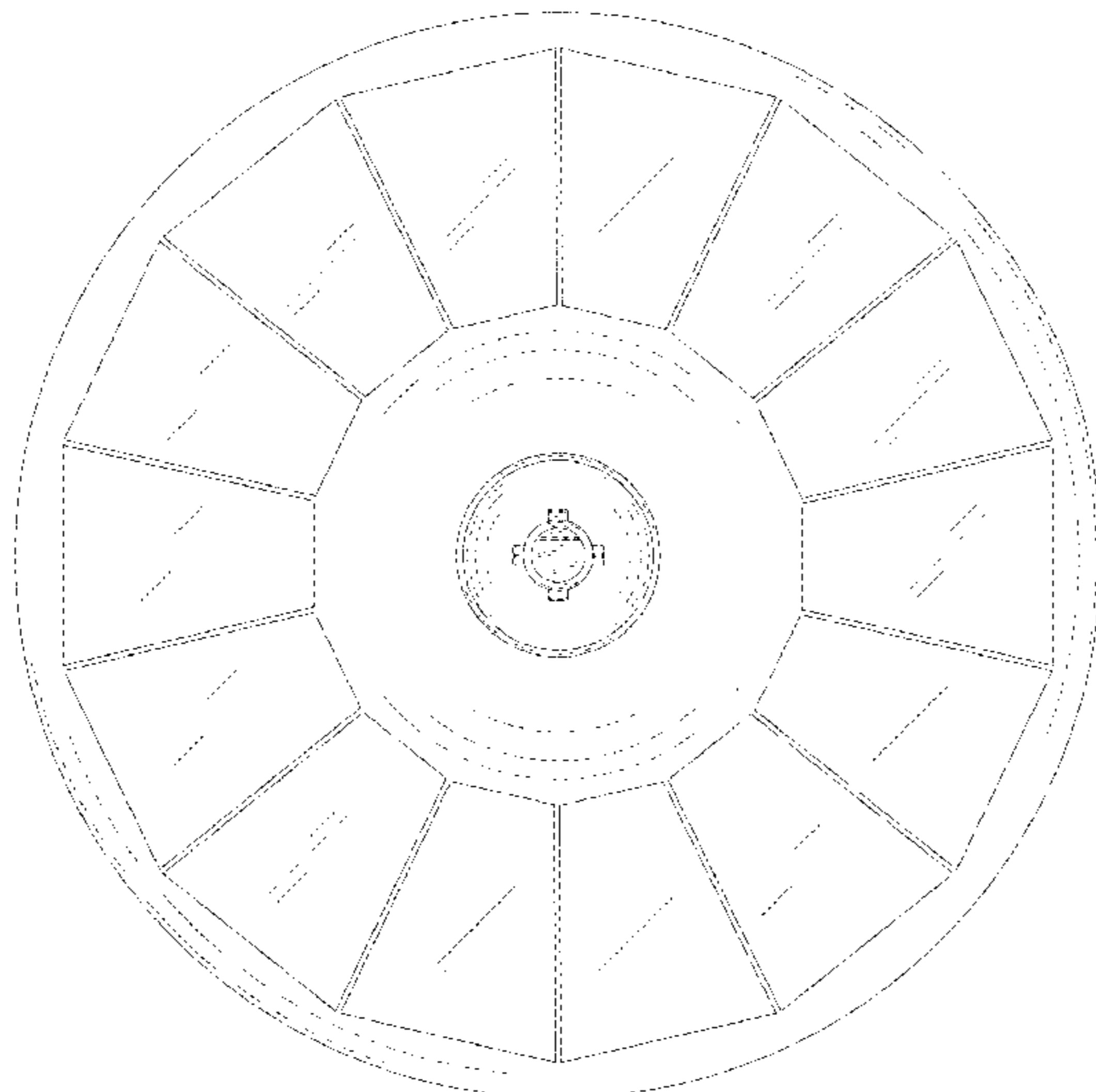
FIG. 1 is a front elevational view of a solar fountain; FIG. 2 is a rear elevational view thereof; FIG. 3 is a left side elevational view thereof; FIG. 4 is a right side elevational view thereof; FIG. 5 is a top plan view thereof; FIG. 6 is a bottom plan view thereof; FIG. 7 is a first perspective view thereof; FIG. 8 is a second perspective view thereof; FIG. 9 is a third perspective view thereof; FIG. 10 is an enlarged detail view of area 10 circumscribed within FIG. 7; and, FIG. 11 is an enlarged detail view of area 11 circumscribed within FIG. 8.

The broken line features and the broken lines and the areas within them depict portions of the solar fountain that form no part of the claimed design.

The dot dash dot broken lines in FIGS. 7-8 and FIGS. 10-11 denote the boundaries of the detail areas and form no part of the claimed design.

The oblique shading lines in the drawings are included to denote the reflective quality of surface planes on the solar fountain.

**1 Claim, 11 Drawing Sheets**



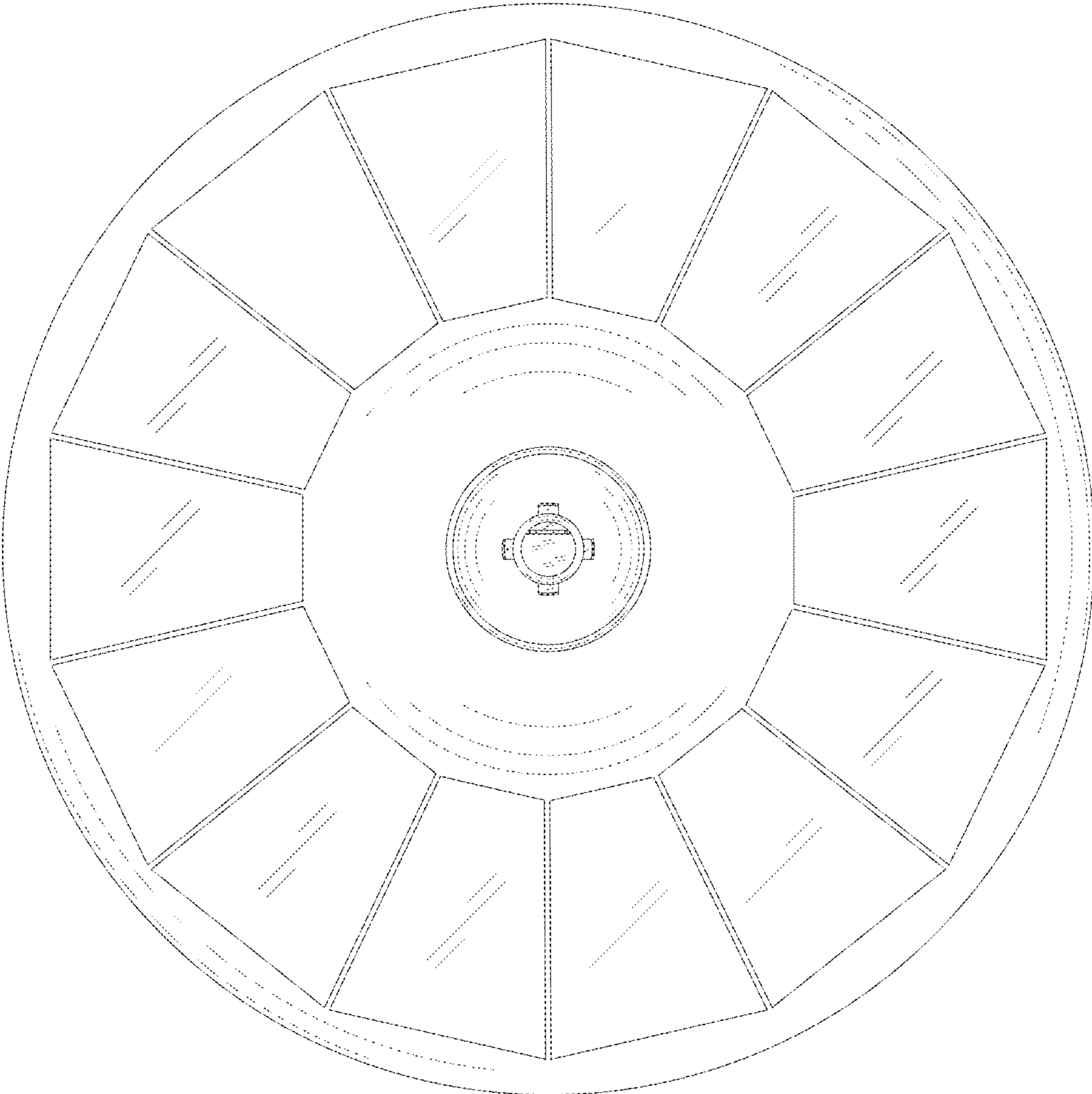


FIG.1

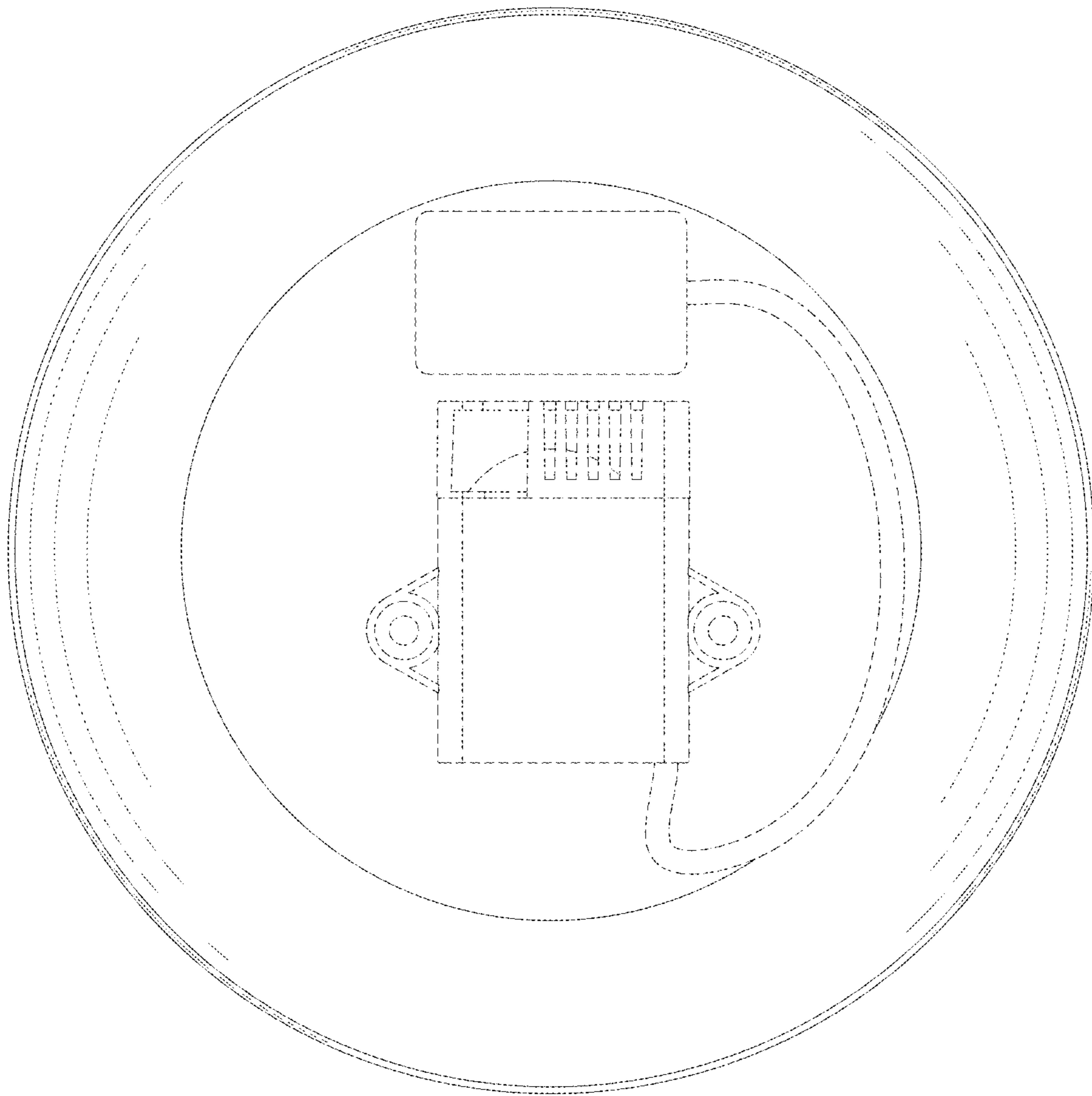


FIG.2

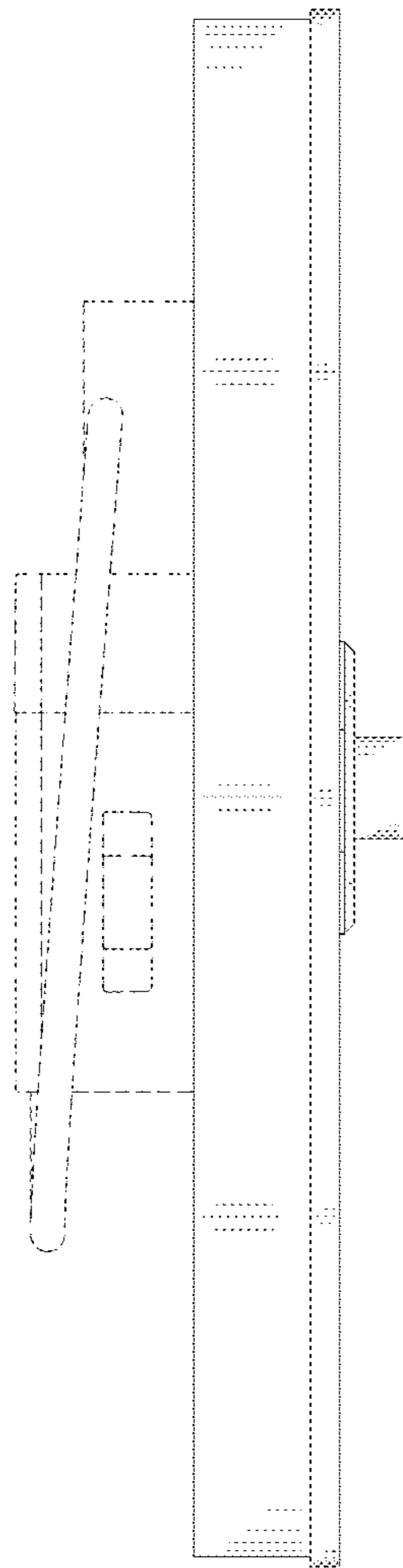


FIG.3

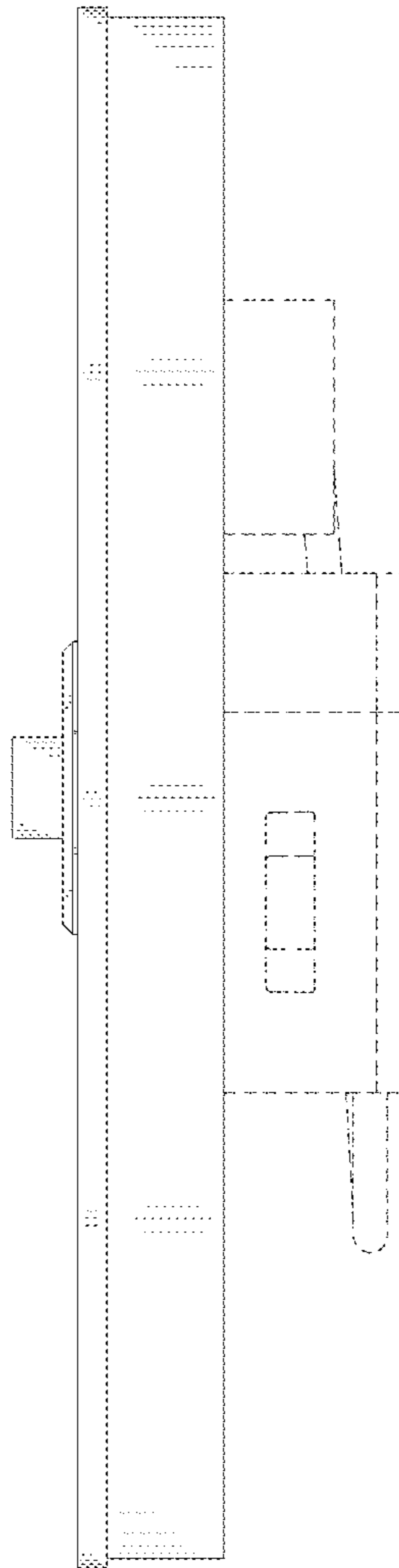


FIG.4

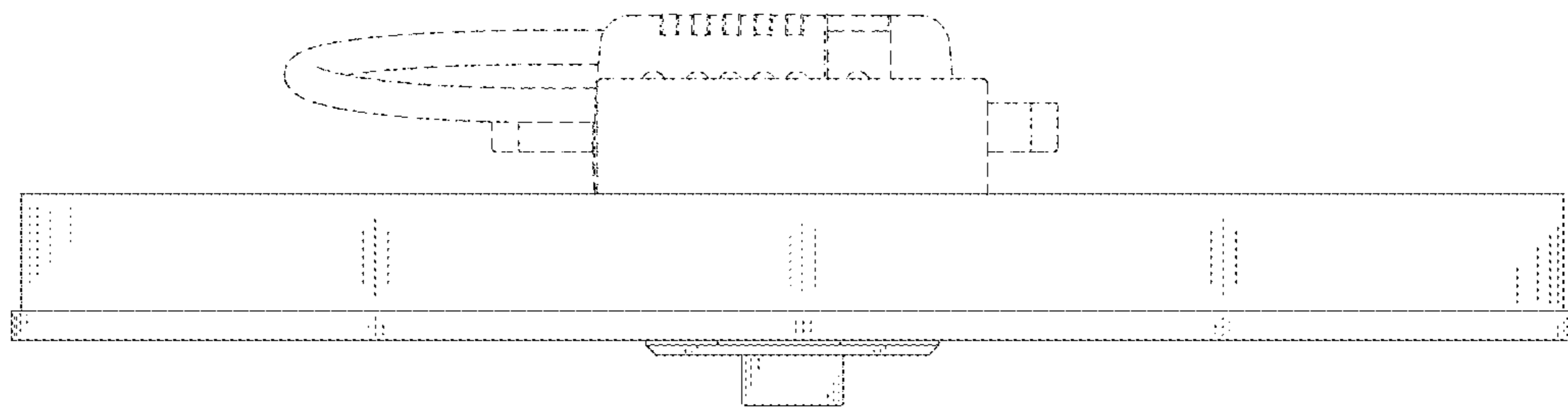


FIG.5

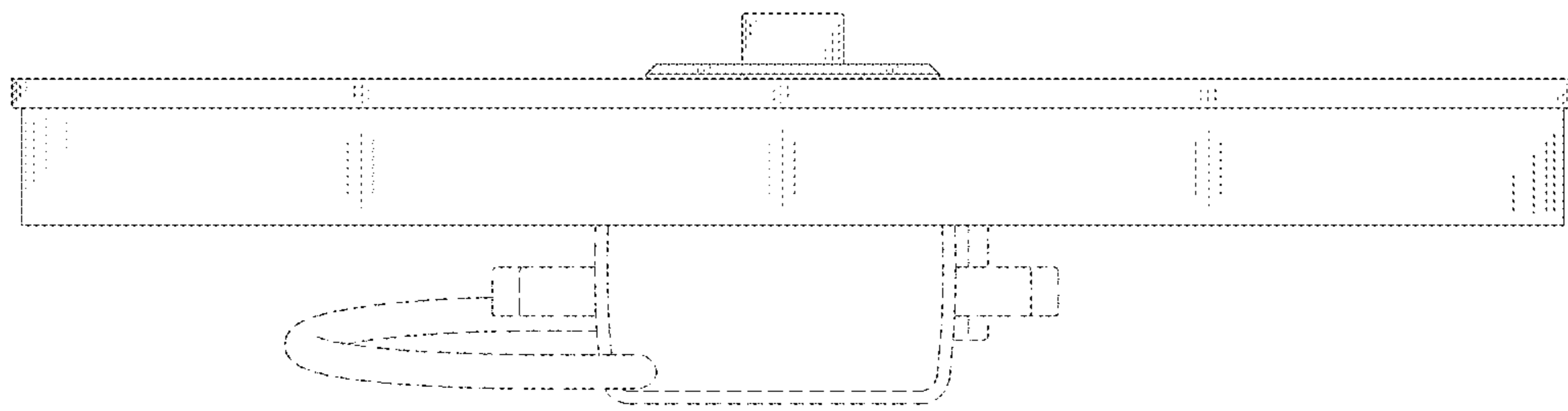


FIG.6

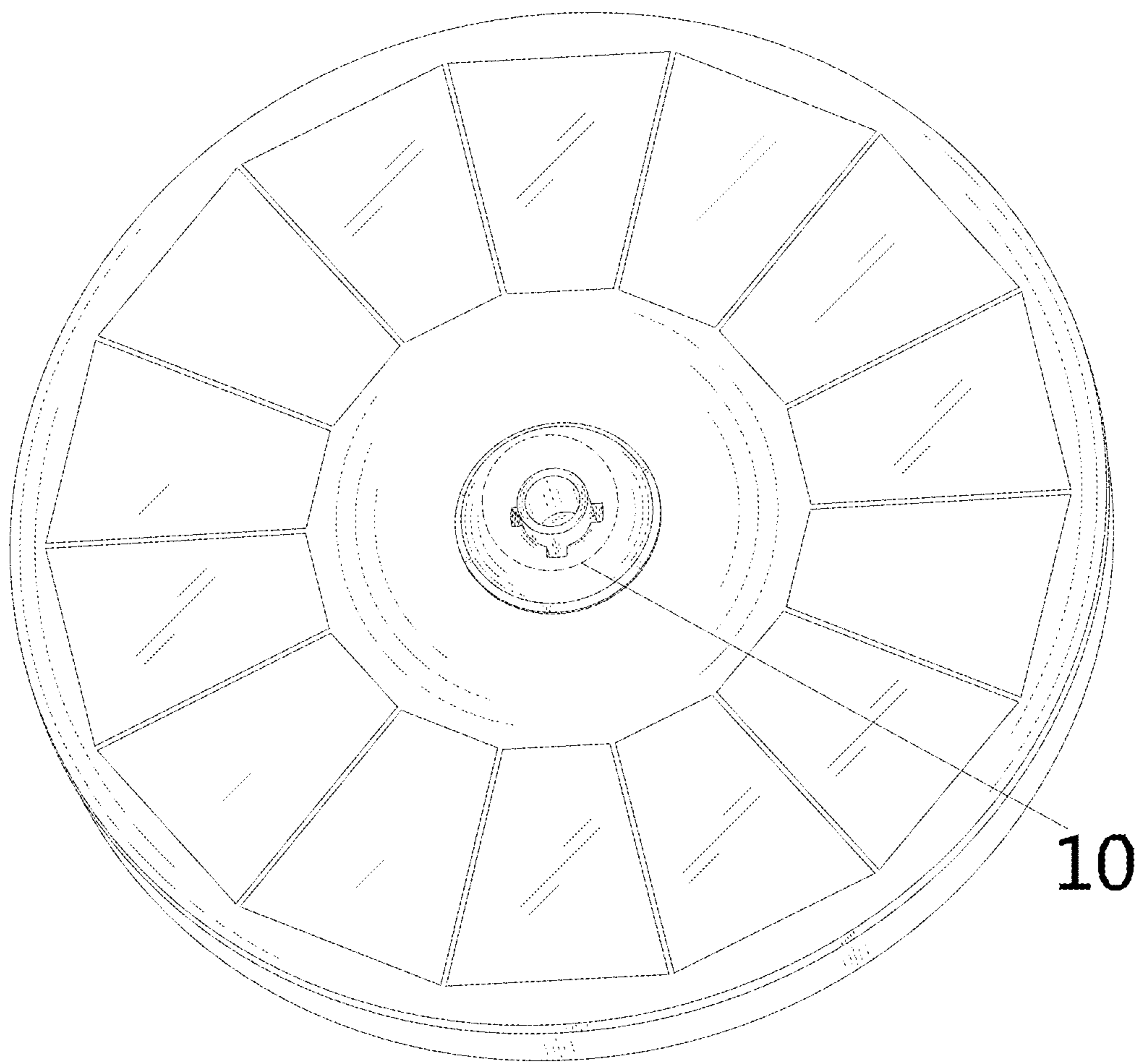


FIG.7



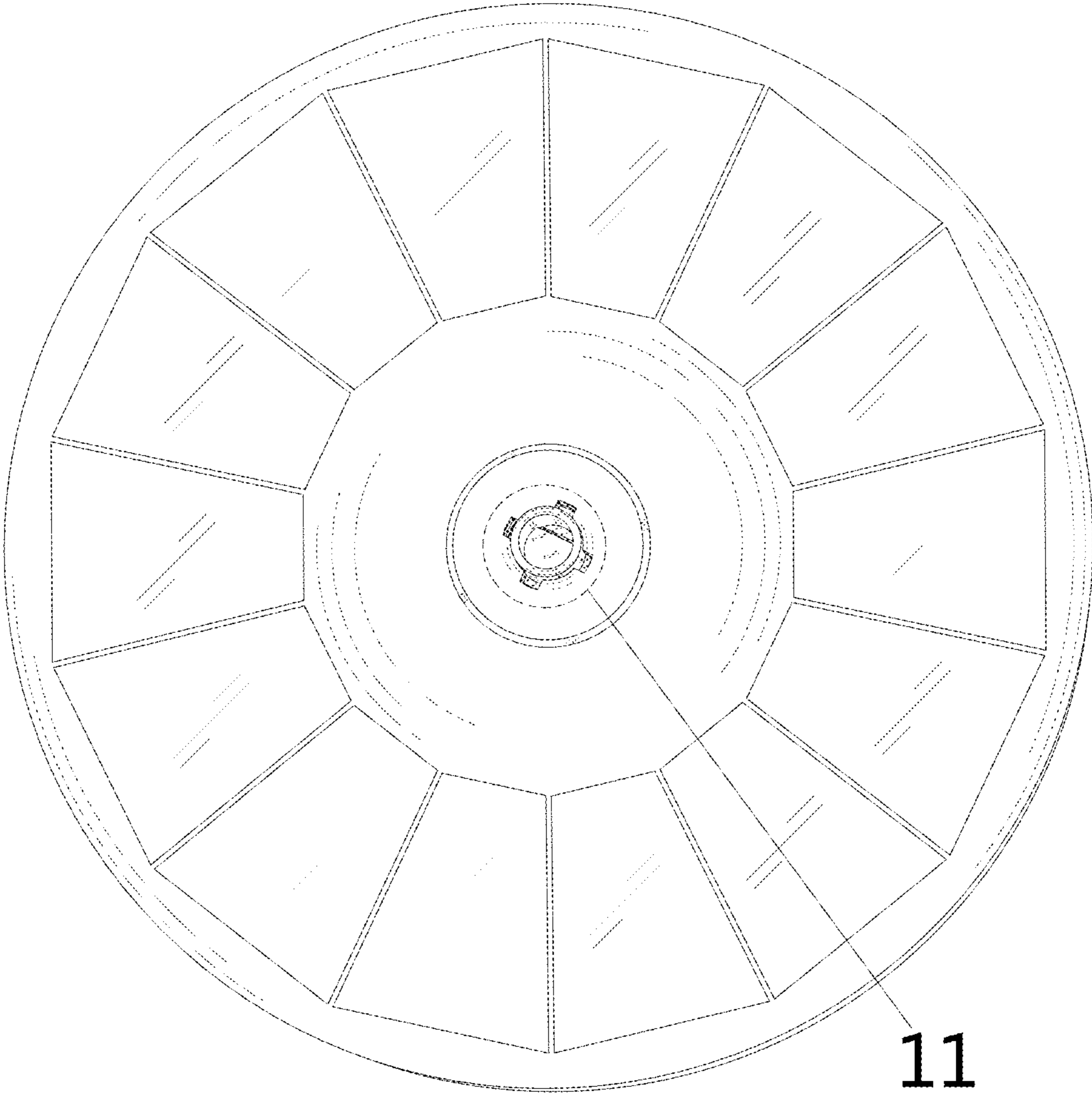


FIG. 8

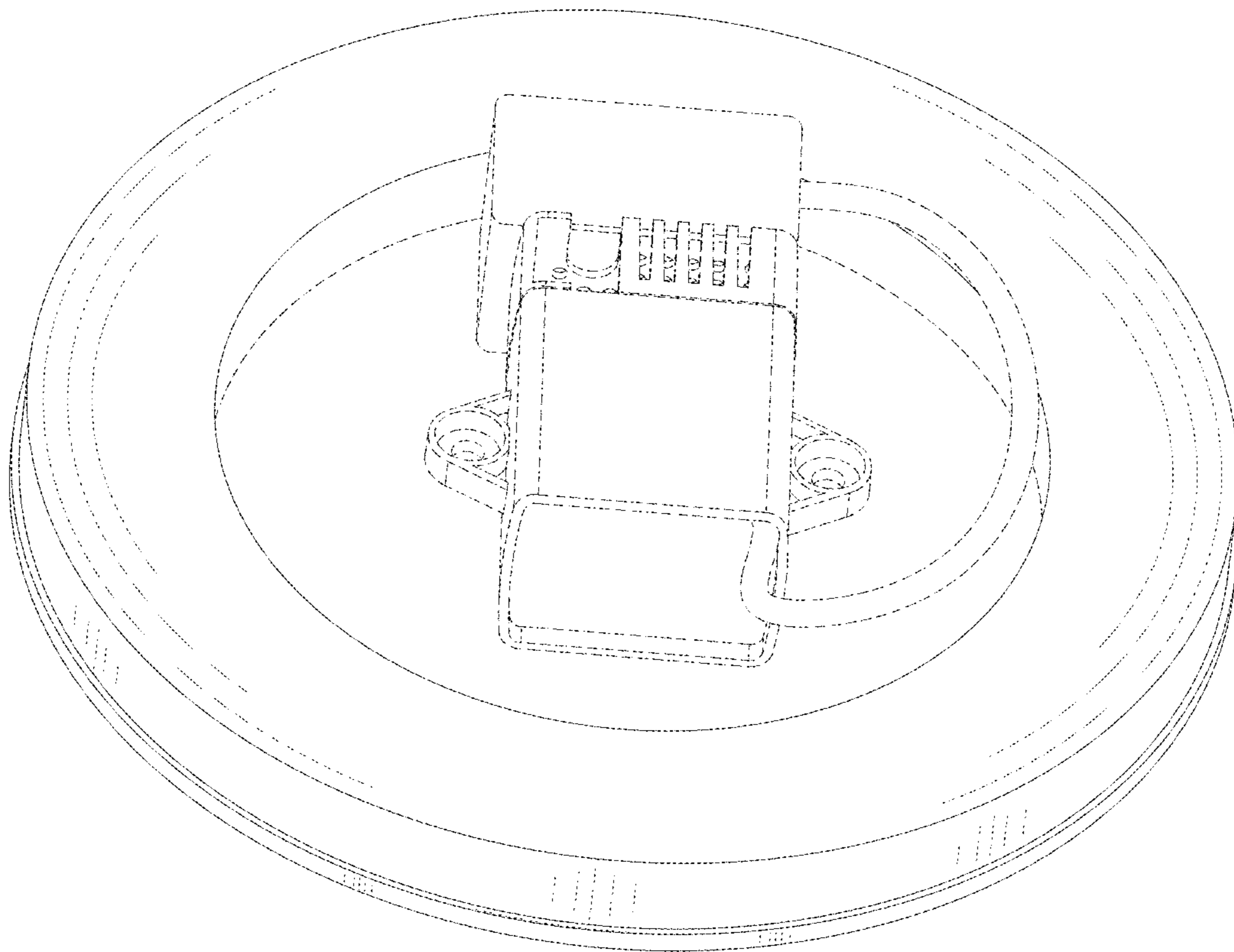


FIG.9

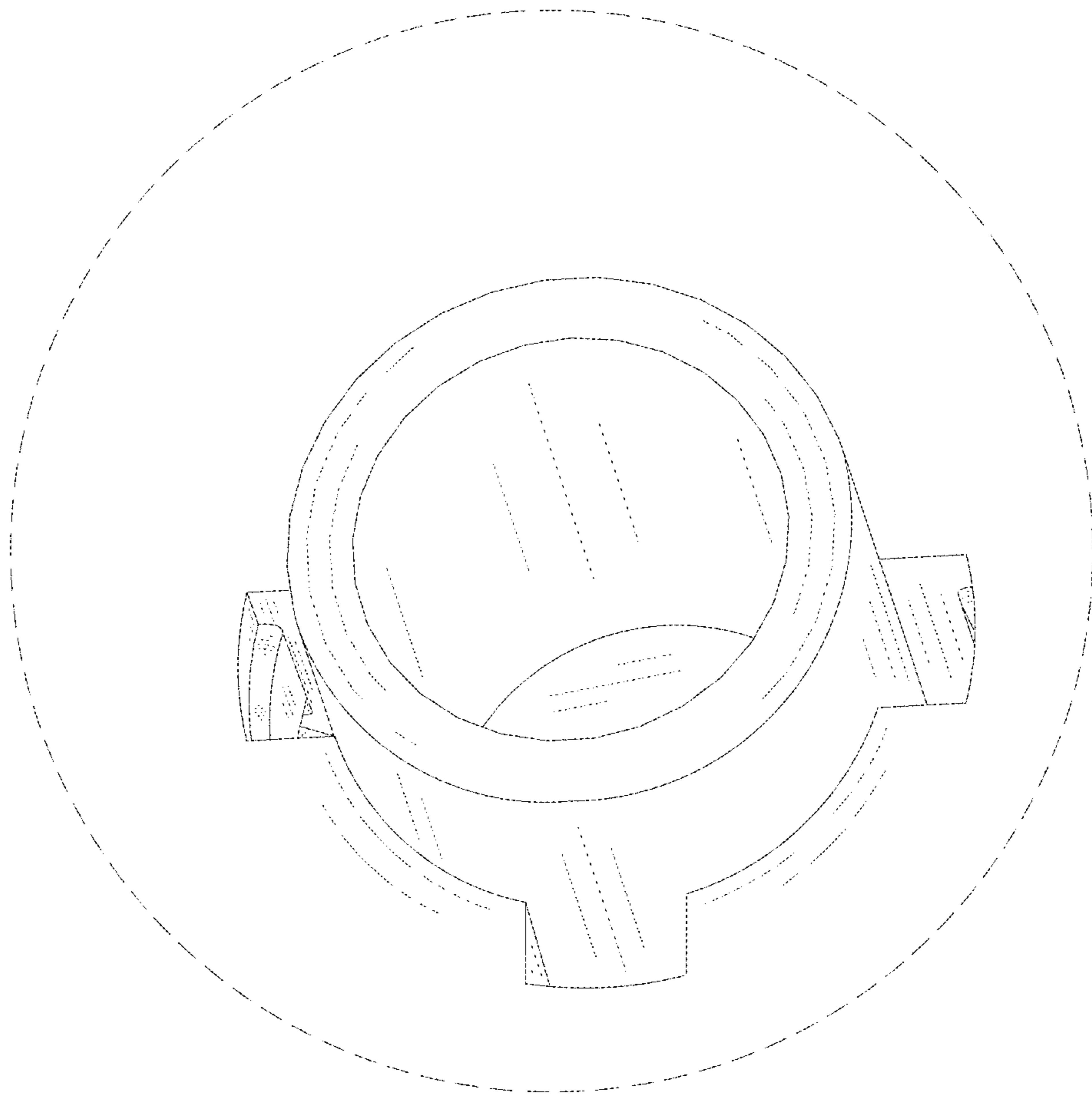


FIG.10

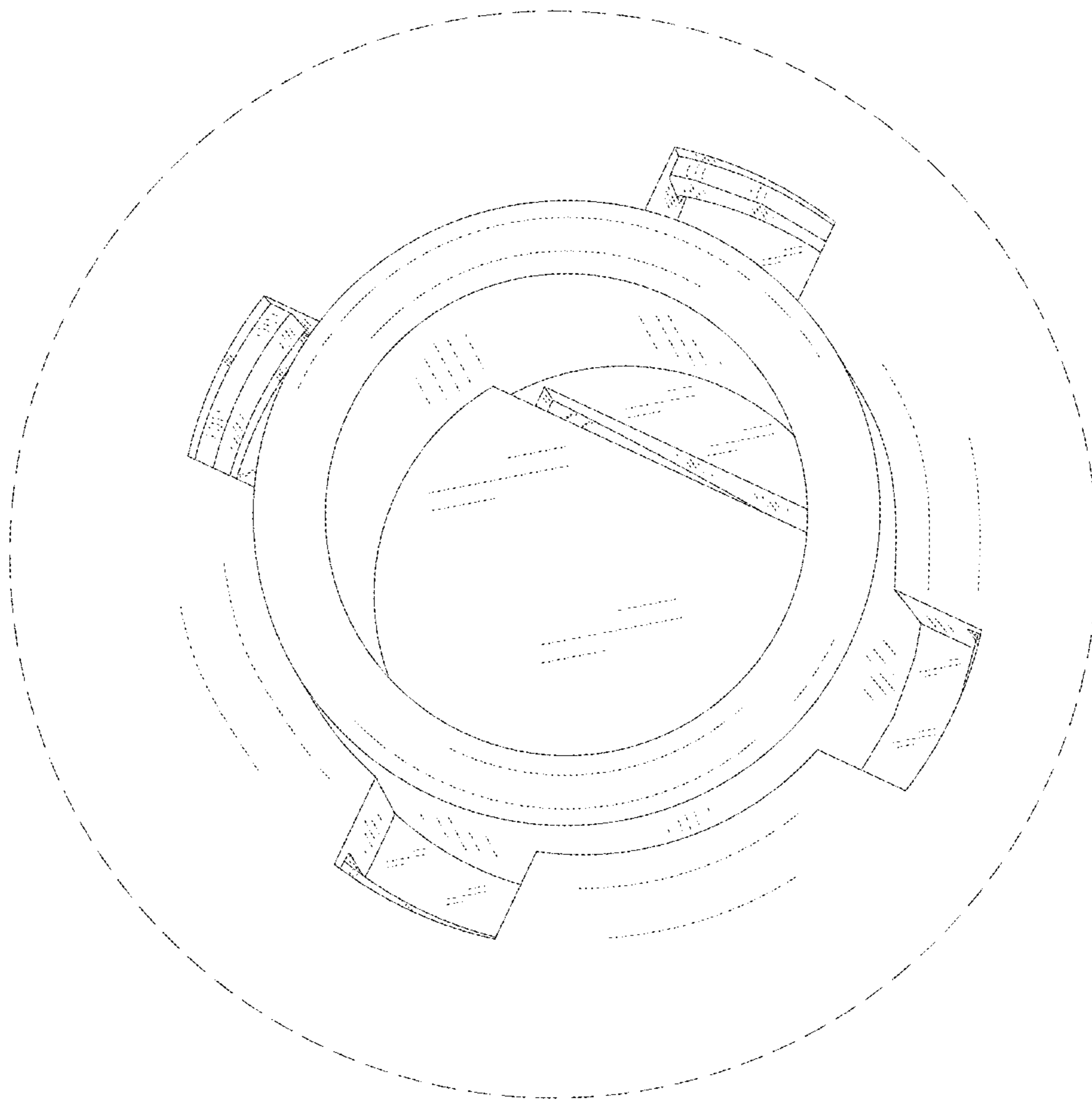


FIG.11