



US00D944915S

(12) **United States Design Patent**
Xu

(10) **Patent No.:** **US D944,915 S**

(45) **Date of Patent:** **** Mar. 1, 2022**

(54) **FISHING LINE SPOOLER**

(71) Applicant: **Shenzhen Plus Innovations Electronics Co., Ltd.**, Shenzhen (CN)

(72) Inventor: **Zebin Xu**, Hangzhou (CN)

(**) Term: **15 Years**

(21) Appl. No.: **29/794,062**

(22) Filed: **Jun. 10, 2021**

(51) **LOC (13) Cl.** **22-05**

(52) **U.S. Cl.**
USPC **D22/137**

(58) **Field of Classification Search**
USPC D22/137-140, 134; D6/552-553
CPC A01K 89/00; A01K 89/02; A01K 89/015;
B65H 49/00; B65H 49/26; Y10S 242/90;
Y10S 242/902

See application file for complete search history.

(56) **References Cited**

U.S. PATENT DOCUMENTS

D149,152 S *	3/1948	Thompson	D22/137
4,123,012 A *	10/1978	Hough	B65H 75/06 242/405.2
D290,732 S *	7/1987	Yamaguchi	D22/137
D335,523 S *	5/1993	Henslee	D22/134
D364,913 S *	12/1995	Daffern	D22/134
D377,079 S *	12/1996	Robinson	D22/134
6,073,871 A *	6/2000	Farris	A01K 89/016 242/295
D456,483 S *	4/2002	Cryer	D22/134
D483,091 S *	12/2003	Griffiths	D22/137
D685,055 S	6/2013	Deguchi		
D716,413 S	10/2014	Hosono		

D724,173 S	3/2015	Asaba		
D724,174 S	3/2015	Nago		
D725,229 S	3/2015	Deguchi et al.		
D767,083 S	9/2016	Niitsuma		
2008/0191080 A1 *	8/2008	Shalosky	A01K 89/003 242/323
2010/0012763 A1 *	1/2010	Boardman	A01K 89/003 242/423.2

OTHER PUBLICATIONS

Fishing Line Spooler . . . <https://apesurvival.com/collections/fishing/products/fishing-line-spooler> (Year: 2021).*
Berkley Portable Line Spooler Max . . . <https://www.basspro.com/shop/en/berkley-portable-line-spooler-max> (Year: 2021).*

* cited by examiner

Primary Examiner — Catherine R Oliver-Garcia
(74) *Attorney, Agent, or Firm* — Rumit Ranjit Kanakia

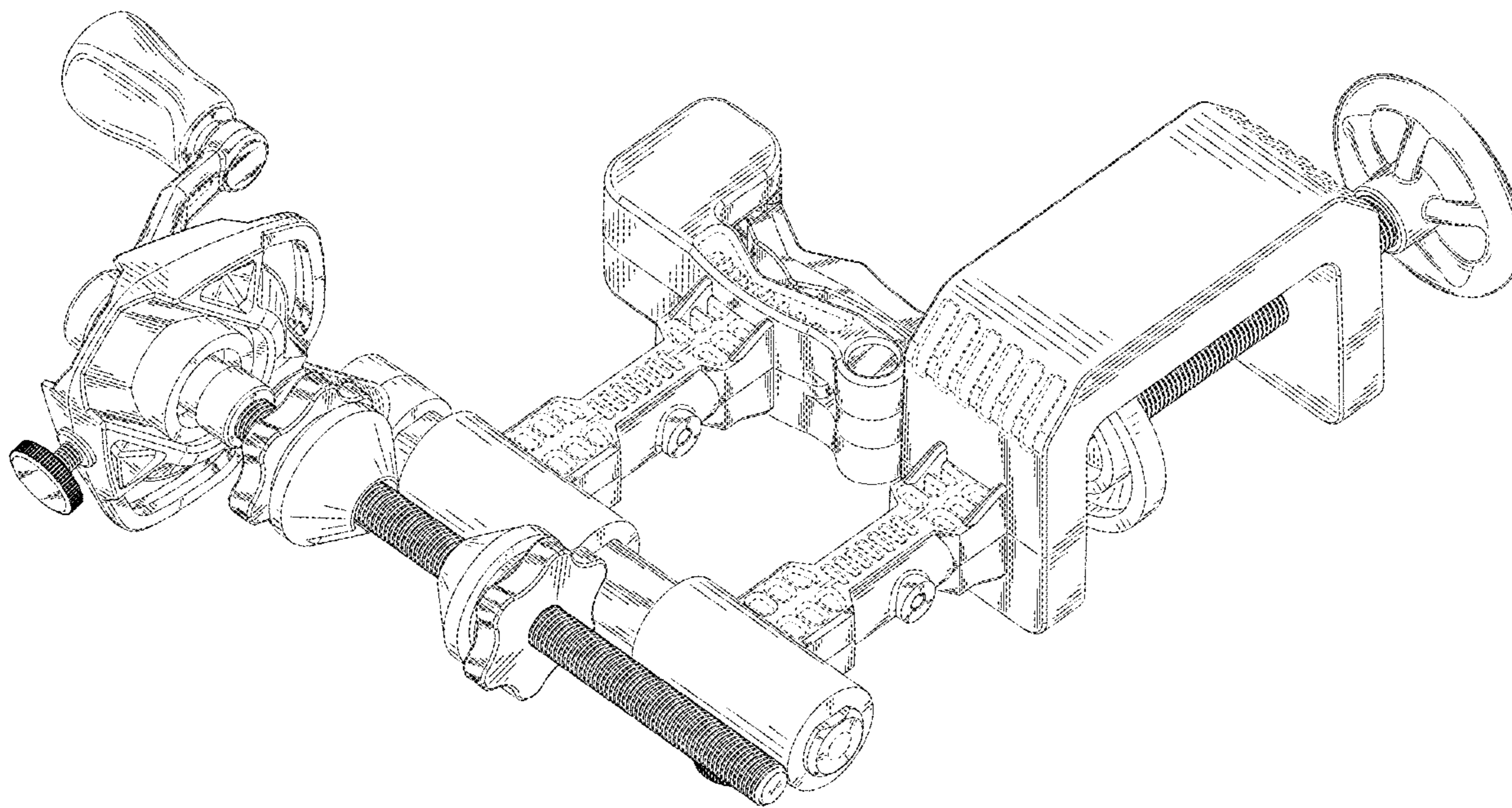
(57) **CLAIM**

I claim the ornamental design for a fishing line spooler, as shown and described.

DESCRIPTION

FIG. 1 is a Perspective view of a fishing line spooler showing my new design;
FIG. 2 is another perspective view thereof;
FIG. 3 is a front elevation view thereof;
FIG. 4 is a rear elevation view thereof;
FIG. 5 is a left side elevation view thereof;
FIG. 6 is a right side elevation view thereof;
FIG. 7 is a top plan view thereof; and,
FIG. 8 is a bottom plan view thereof.
The broken lines in the drawings depict portions of the fishing line spooler that form no part of the claimed design.

1 Claim, 8 Drawing Sheets



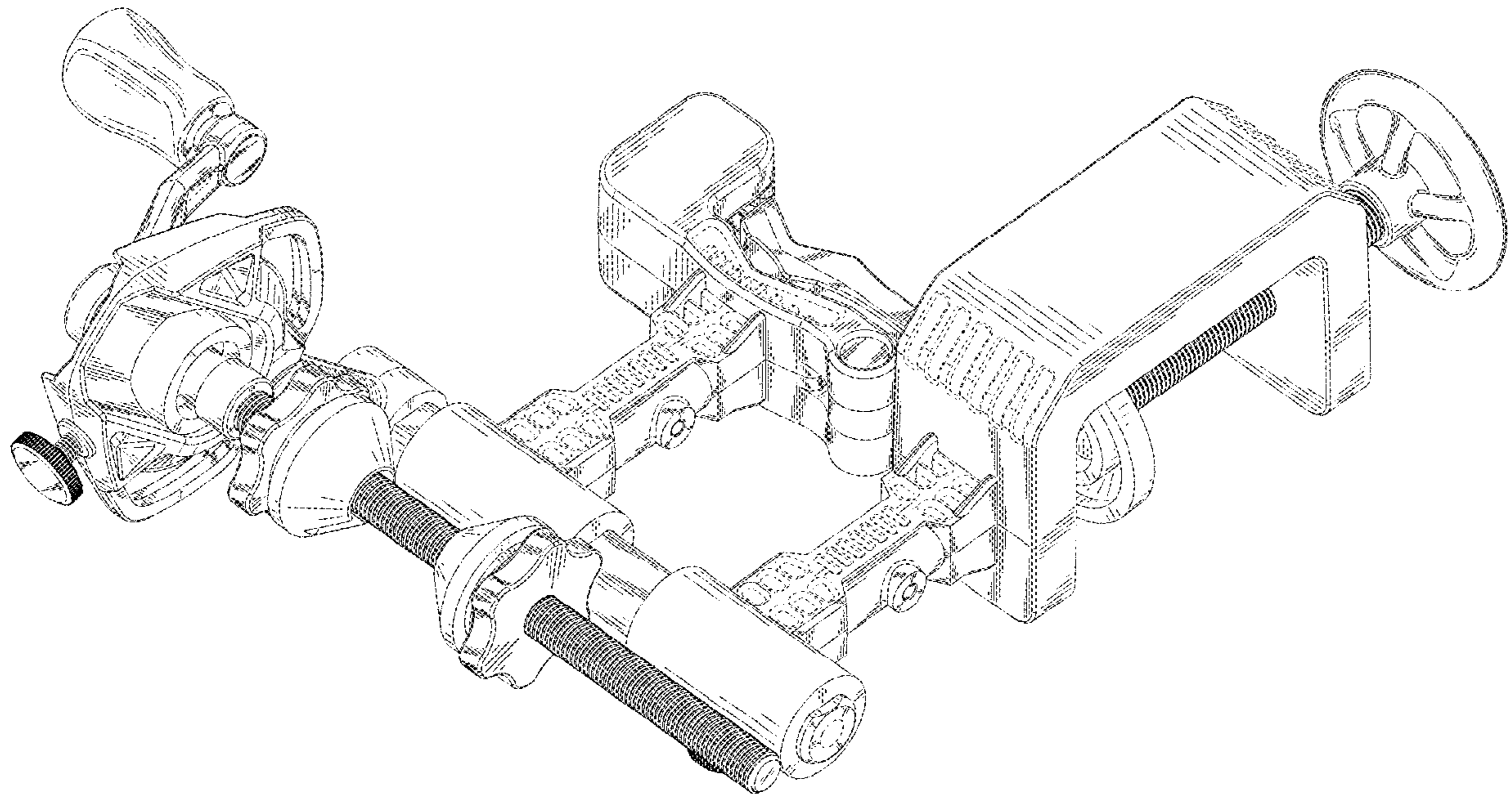


FIG. 1

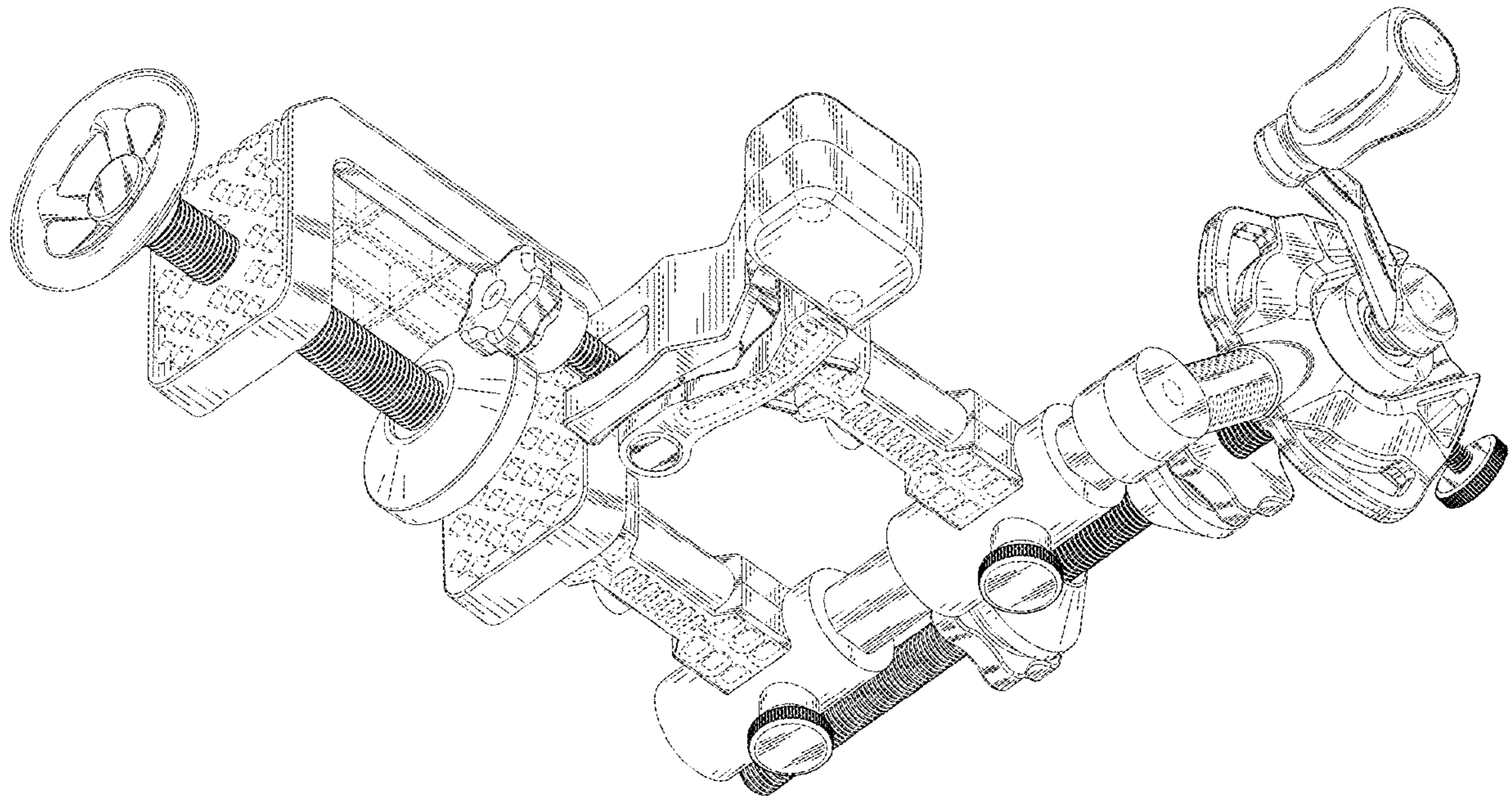


FIG. 2

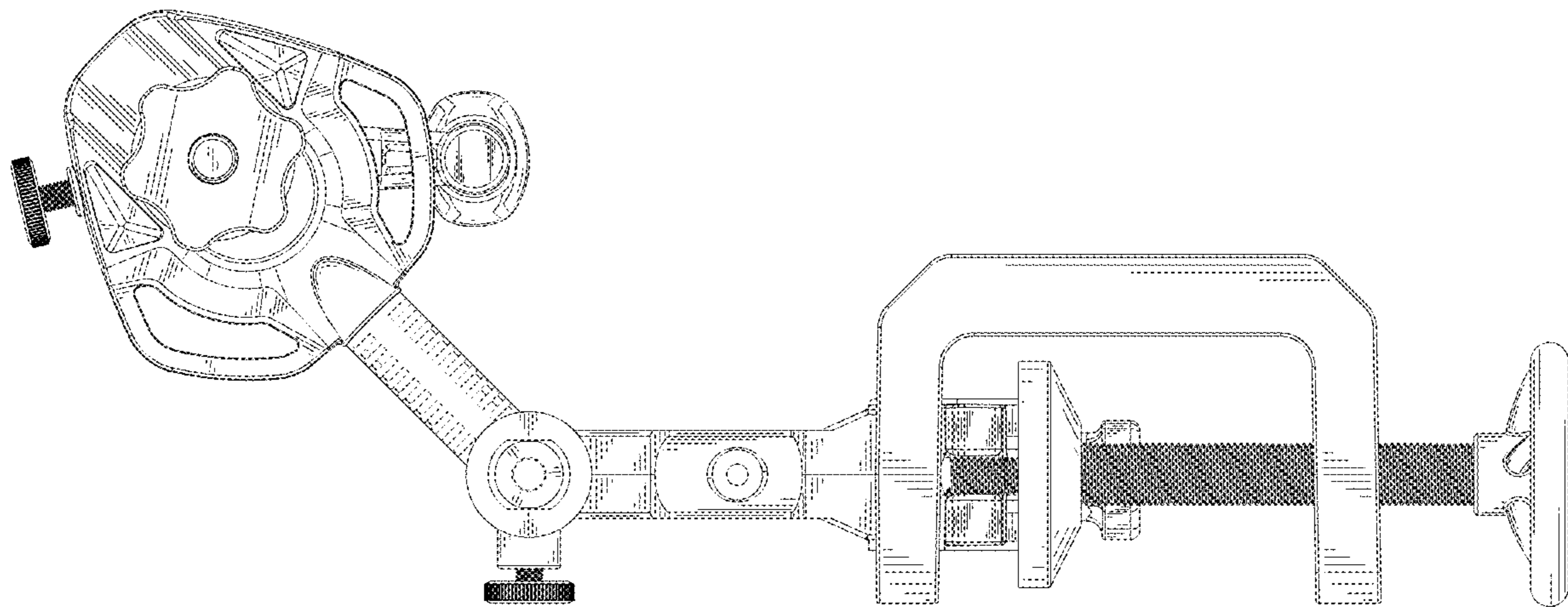


FIG. 3

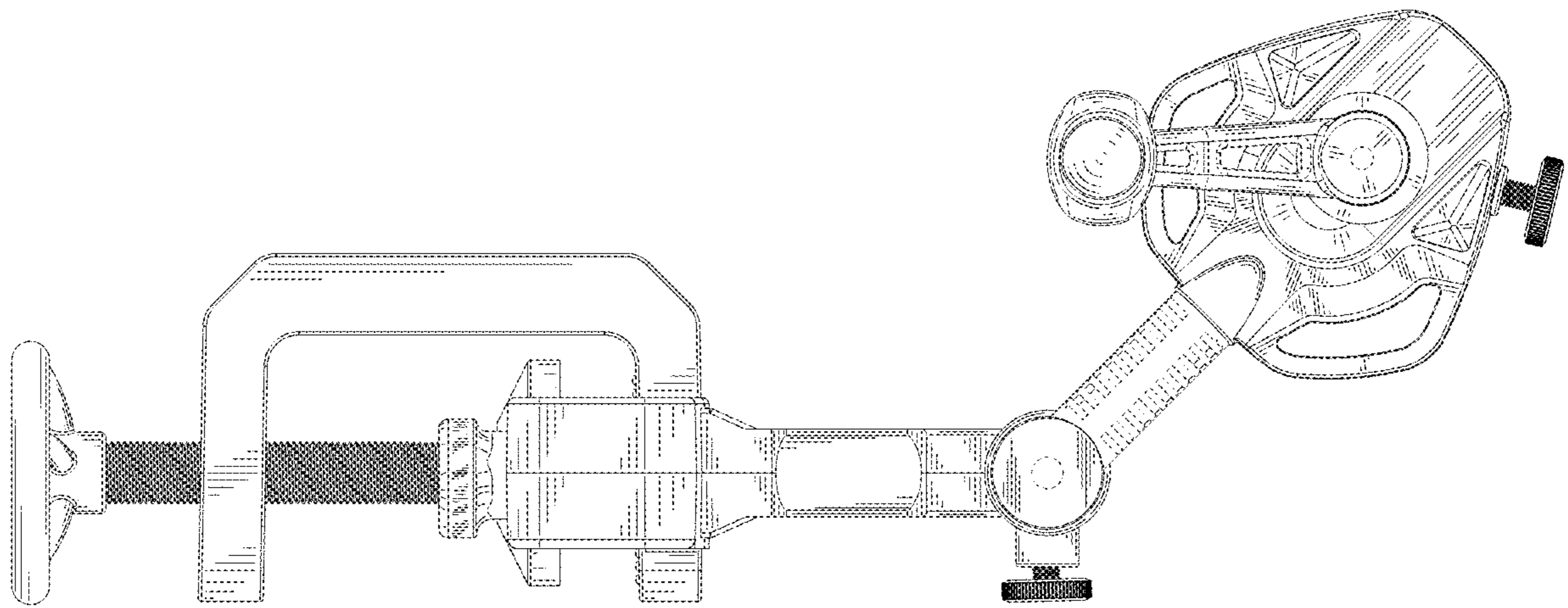


FIG. 4

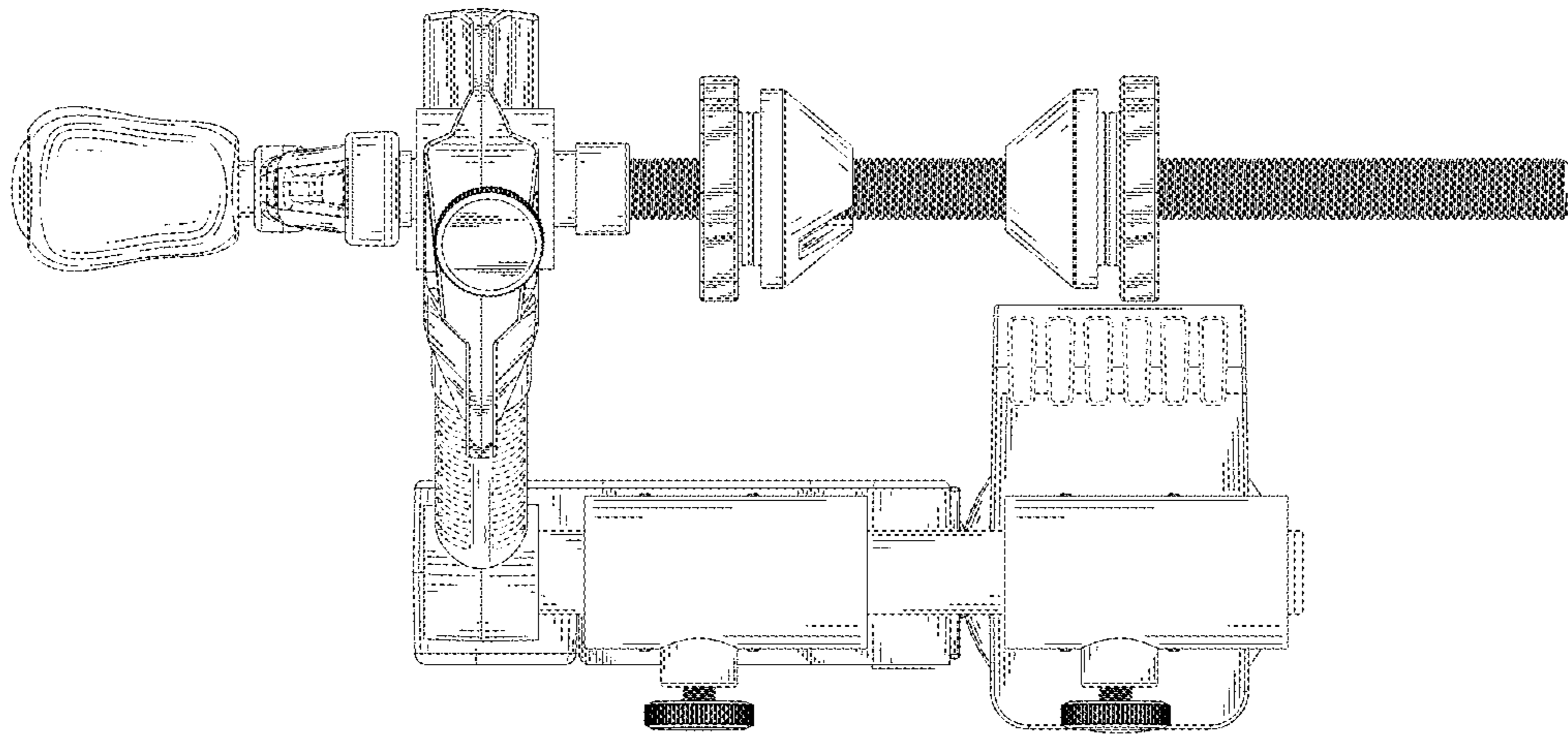


FIG. 5

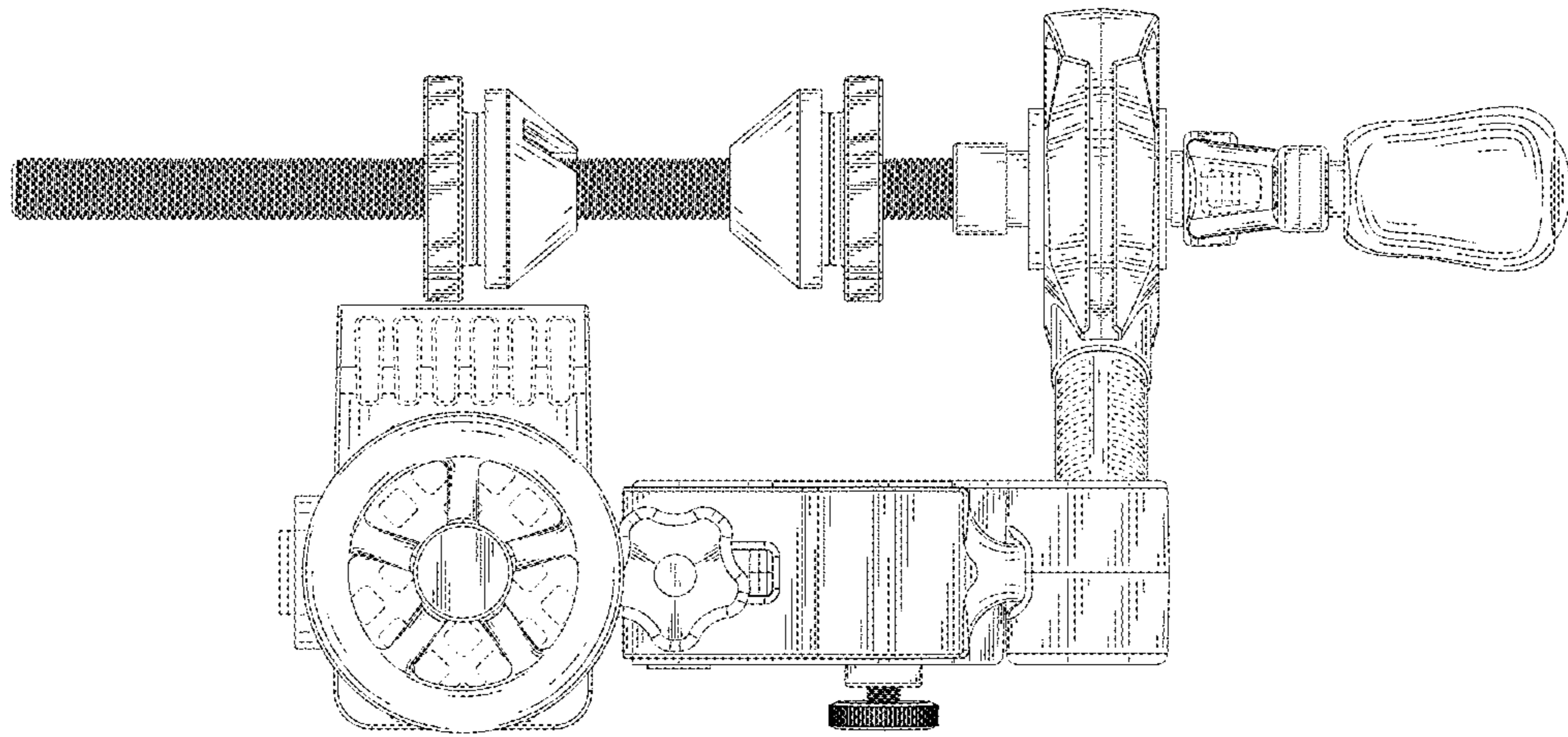


FIG. 6

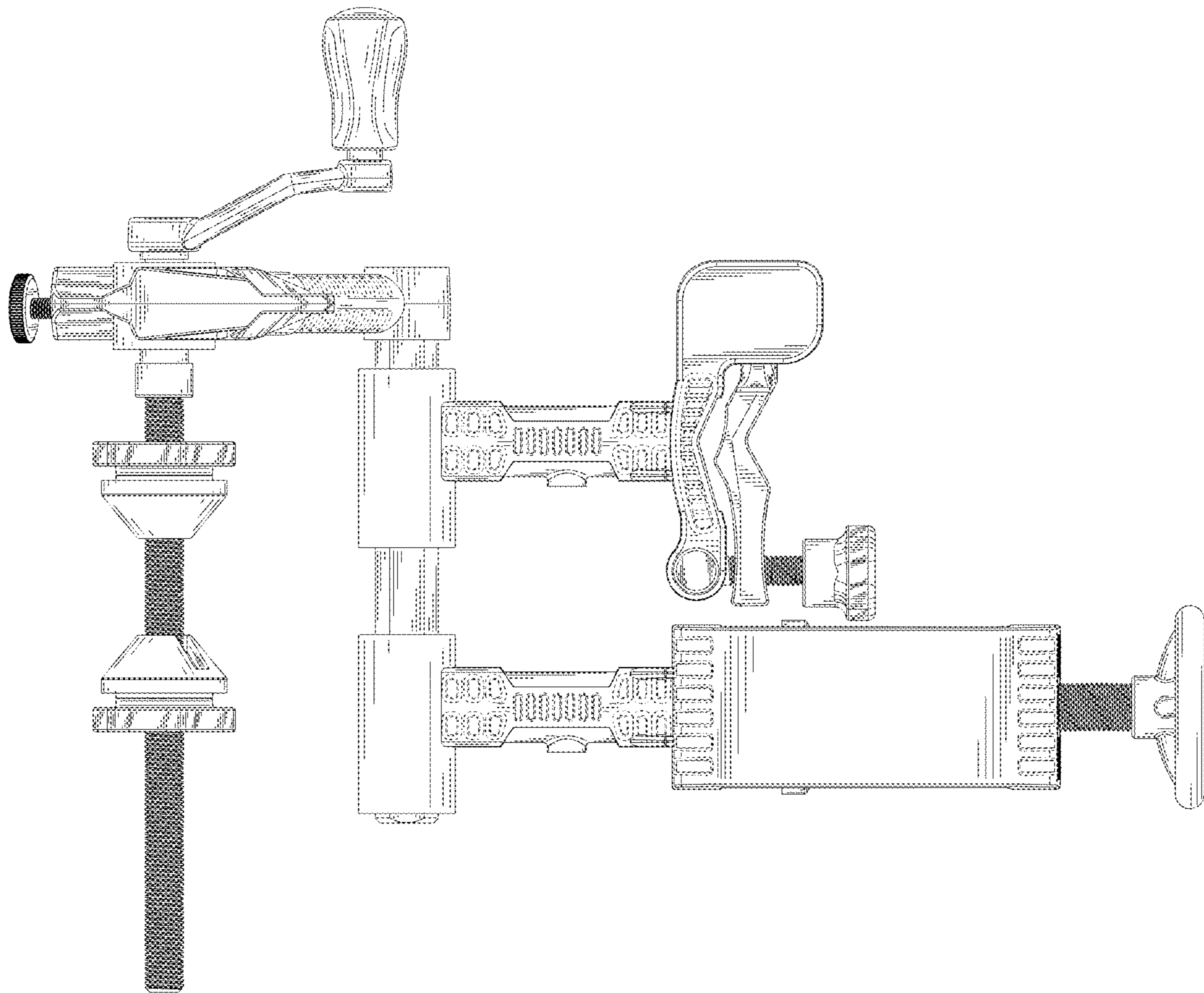


FIG. 7

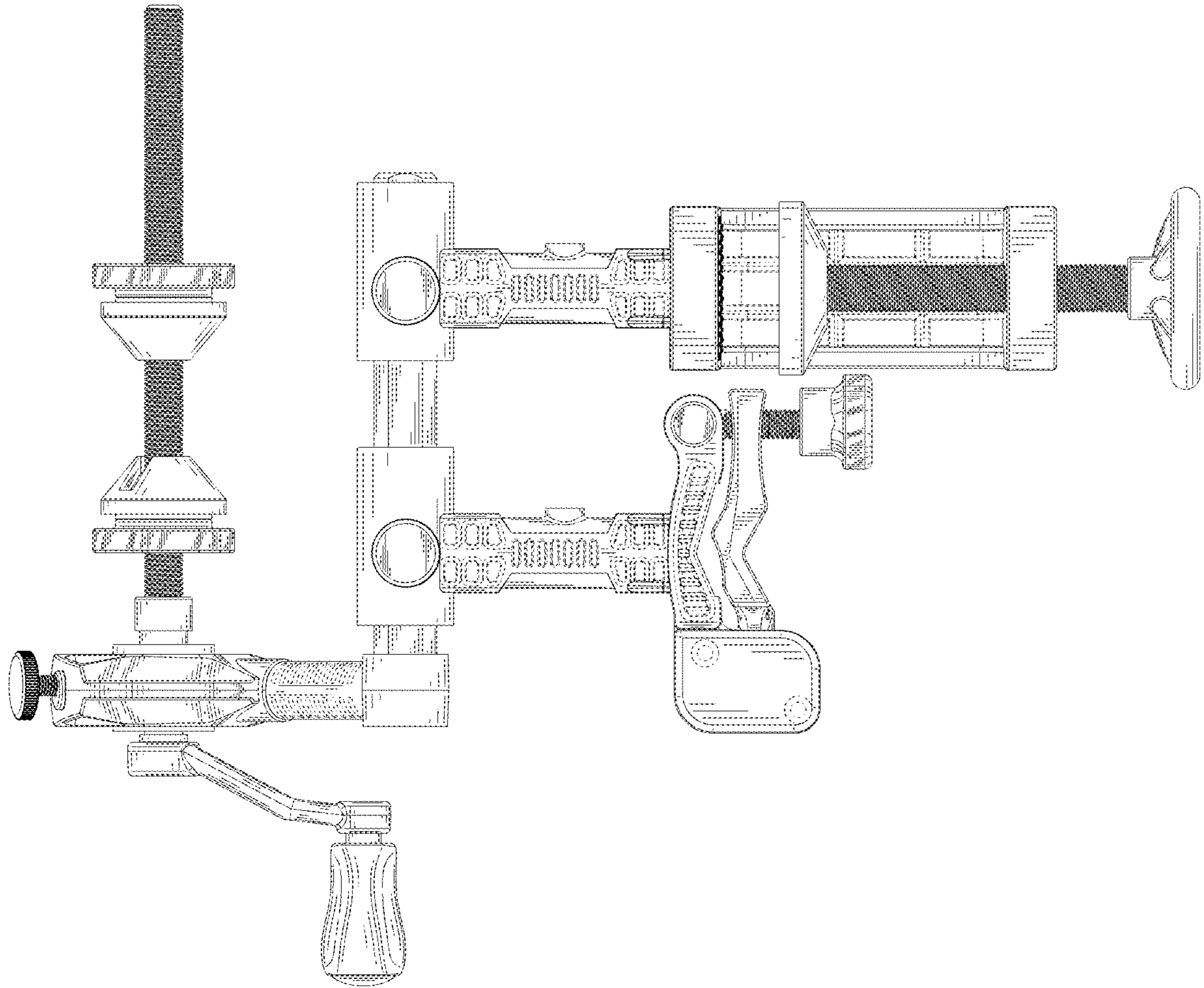


FIG. 8