



US00D944913S

(12) **United States Design Patent** (10) **Patent No.:** **US D944,913 S**
Lei (45) **Date of Patent:** **** *Mar. 1, 2022**

(54) **WATER HAMMOCK**
(71) Applicant: **Shengli Lei**, Sichuan (CN)
(72) Inventor: **Shengli Lei**, Sichuan (CN)
(73) Assignee: **HUIZHOU MIAO SI TE INDUSTRIAL CO., LTD.**, Boluo County (CN)

D705,376 S 5/2014 Rubey
D721,778 S 1/2015 Rademacher et al.
D740,386 S * 10/2015 Herter D21/803
D741,976 S 10/2015 Lagier
9,302,749 B1 * 4/2016 D'Offay B63B 7/082
D786,998 S * 5/2017 French D21/803
D861,816 S * 10/2019 Hsu D21/803
D897,473 S * 9/2020 de Grasse D21/803
2004/0058599 A1 * 3/2004 Johnson B63B 35/58
441/129
2005/0051073 A1 * 3/2005 Johnson B63B 3/08
114/266

(*) Notice: This patent is subject to a terminal disclaimer.

* cited by examiner

(**) Term: **15 Years**

Primary Examiner — Zenia I Bennett

(21) Appl. No.: **29/769,414**

(22) Filed: **Feb. 5, 2021**

(30) **Foreign Application Priority Data**

Sep. 25, 2020 (CN) 202030575149.9

(51) **LOC (13) Cl.** **21-02**

(52) **U.S. Cl.**
USPC **D21/809**

(58) **Field of Classification Search**
USPC D21/801, 803, 808, 809; D6/595, 596, D6/597, 598, 601
CPC B63B 32/20; B63B 32/22; B63B 32/51; B63B 32/54; B63B 35/58; B63B 35/607; B63B 35/613; B63B 35/62
See application file for complete search history.

(56) **References Cited**

U.S. PATENT DOCUMENTS

D636,452 S * 4/2011 Majors D21/803
8,702,461 B1 * 4/2014 d'Offay B63B 35/58
441/40

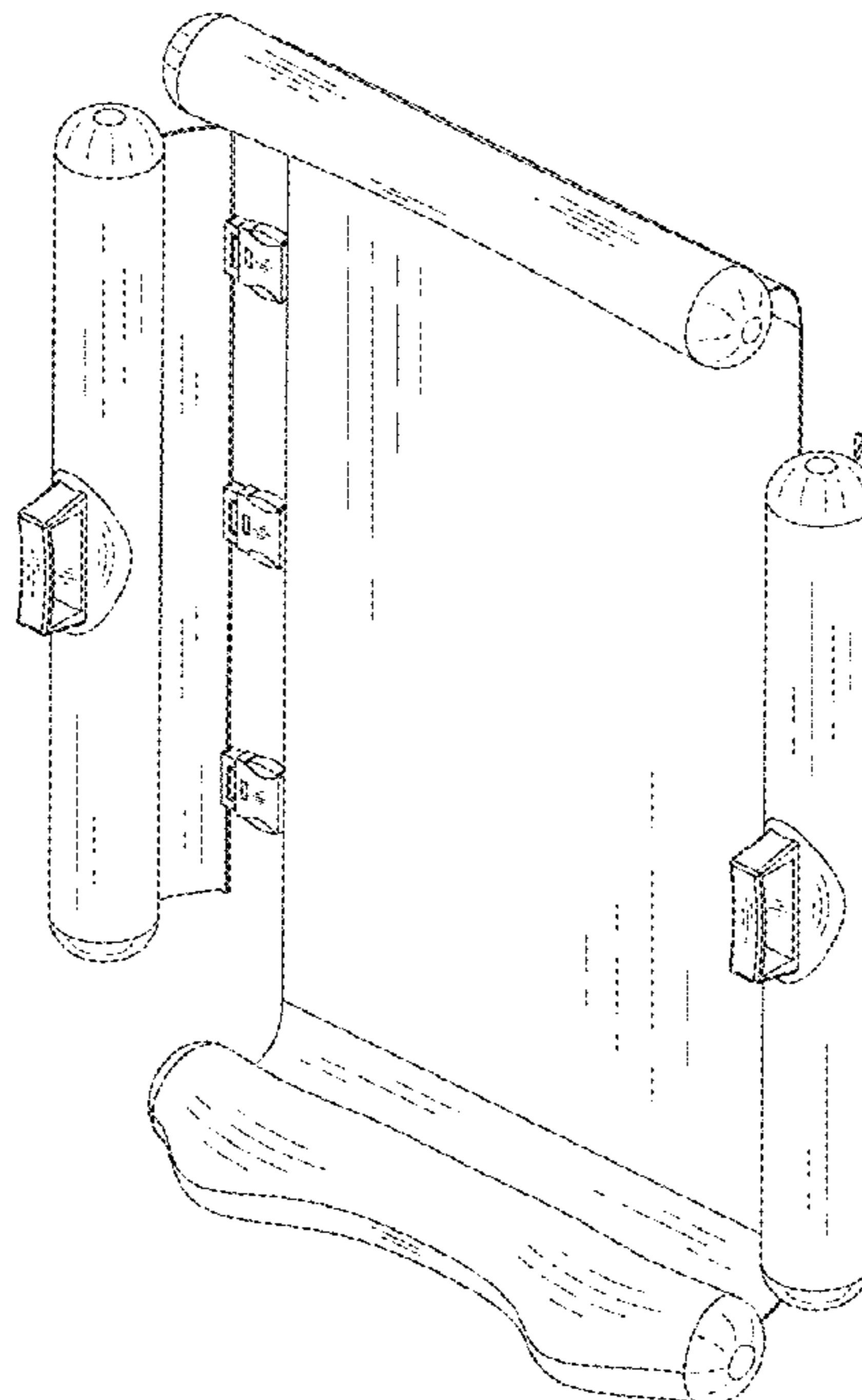
(57) **CLAIM**

The ornamental design for a water hammock, as shown and described.

DESCRIPTION

FIG. 1 is a perspective view of a water hammock showing my new design;
FIG. 2 is a front elevational view thereof;
FIG. 3 is a rear elevational view thereof;
FIG. 4 is a left side elevational view thereof;
FIG. 5 is a right side elevational view thereof;
FIG. 6 is a top plan view thereof; and,
FIG. 7 is a bottom plan view thereof.

1 Claim, 7 Drawing Sheets



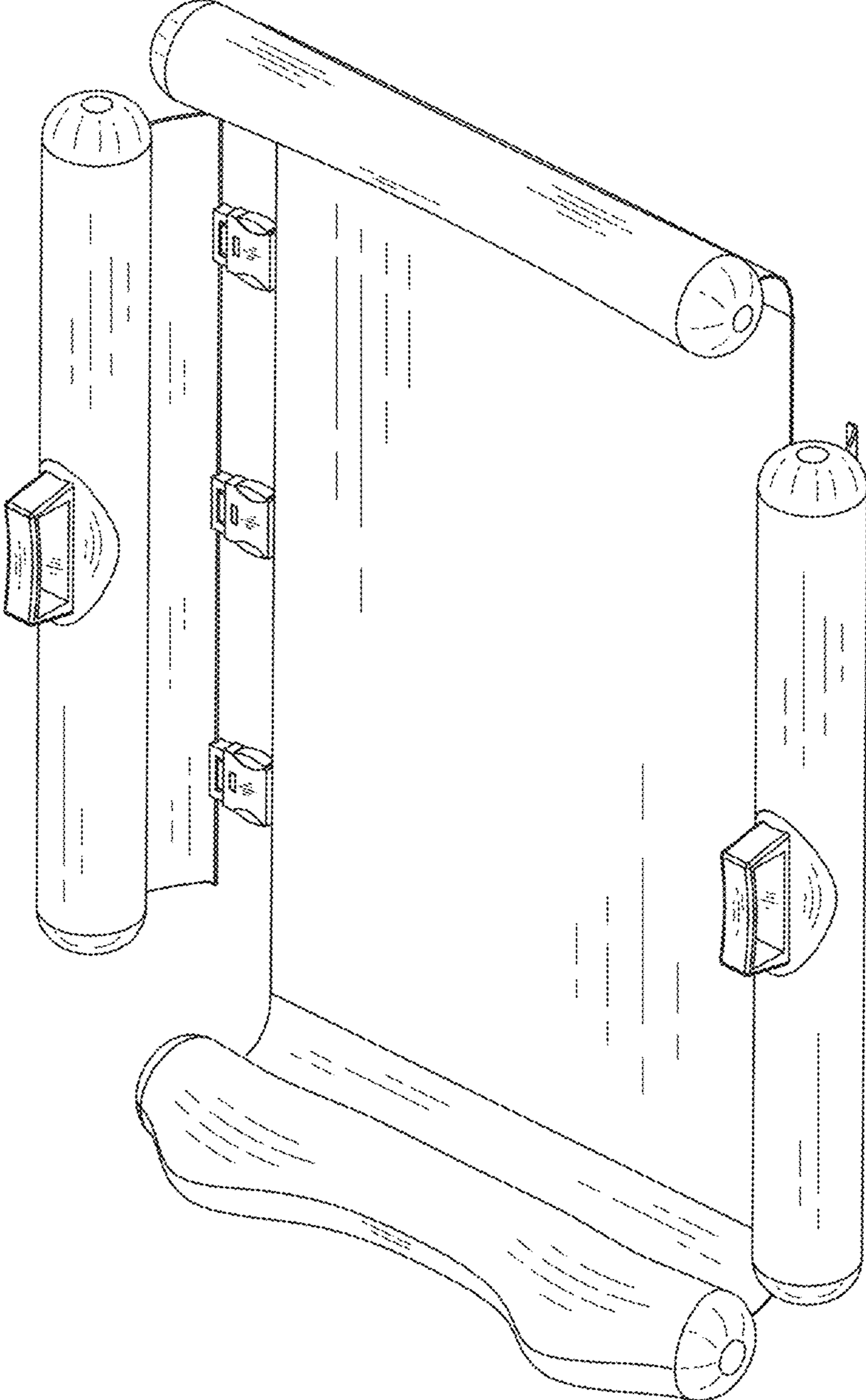


FIG.1

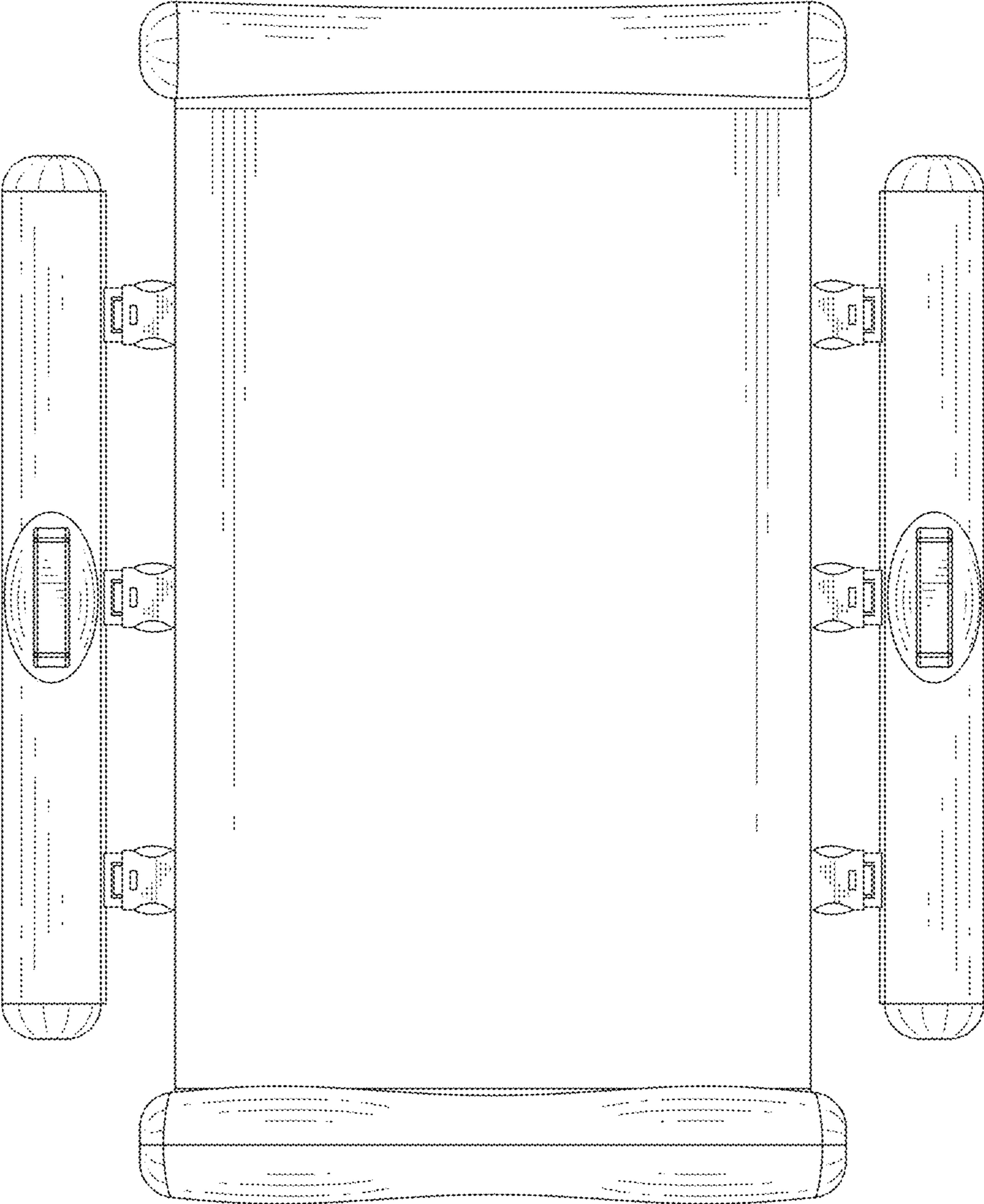


FIG.2

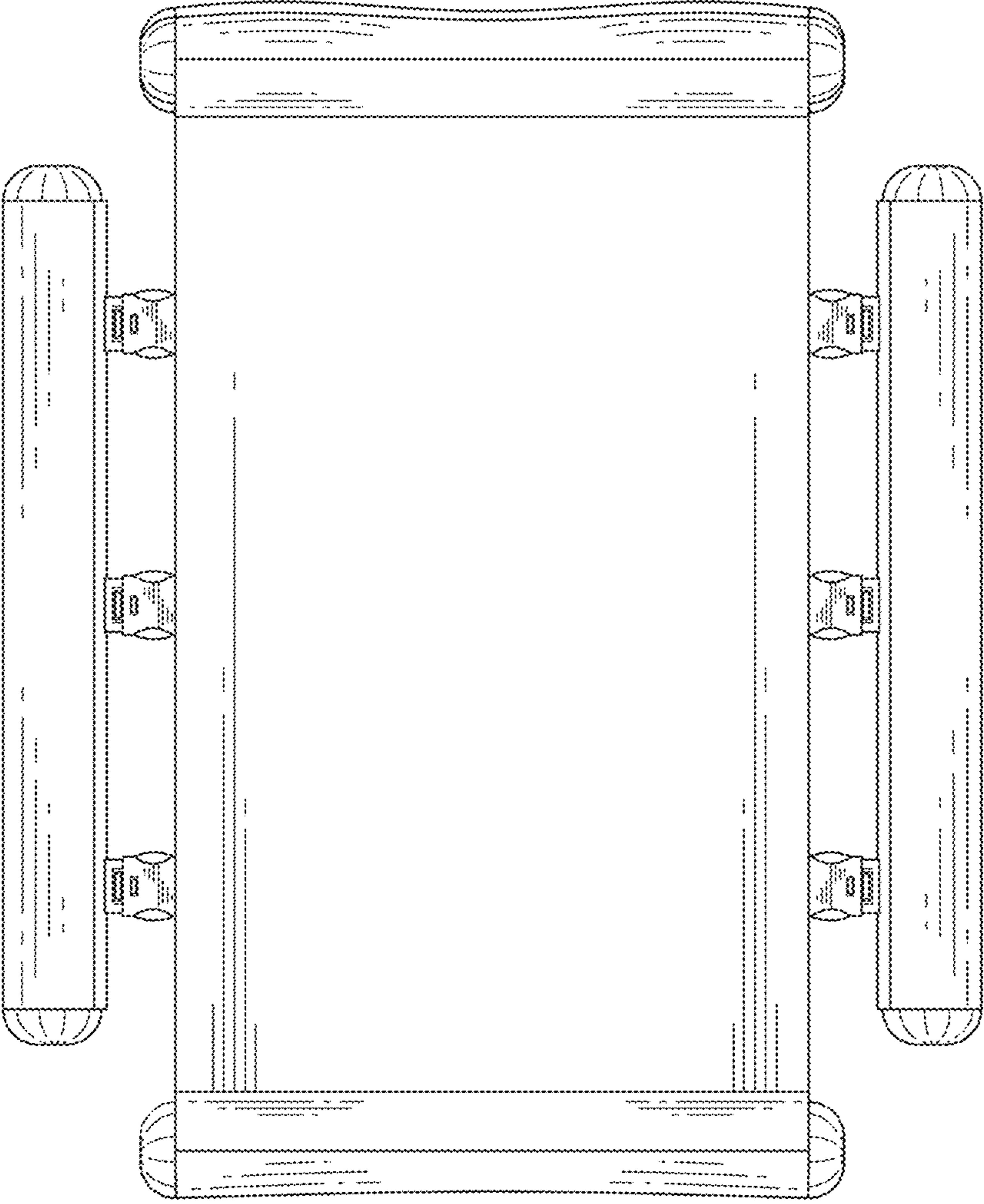


FIG.3

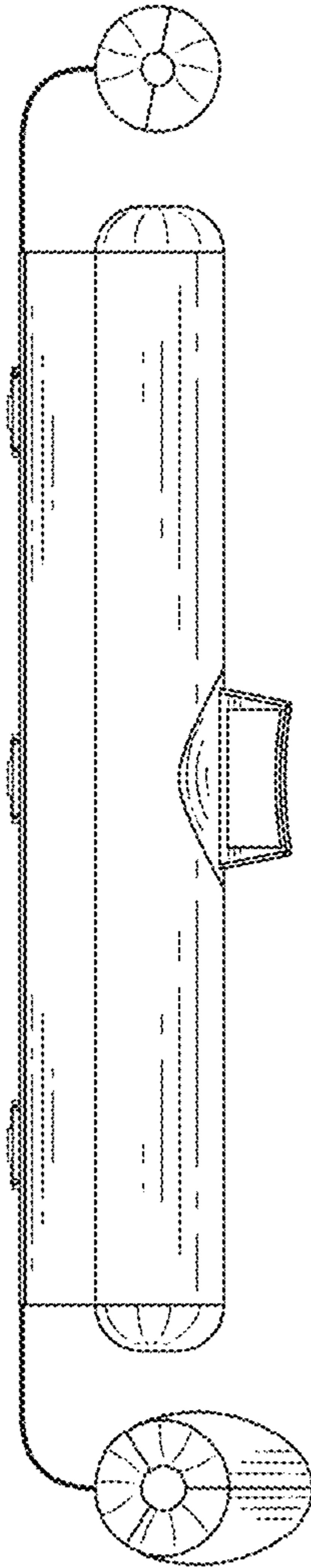


FIG.4

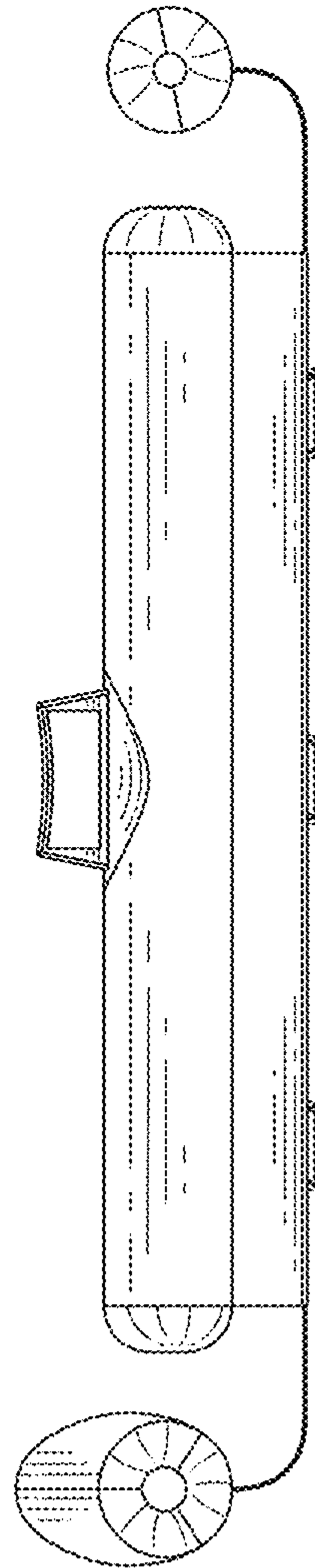


FIG.5

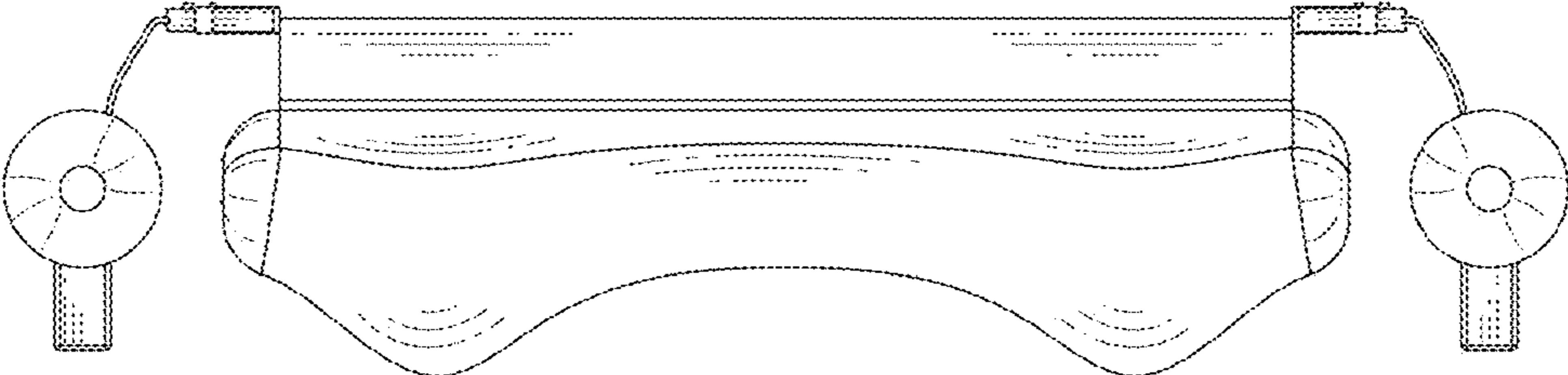


FIG.6

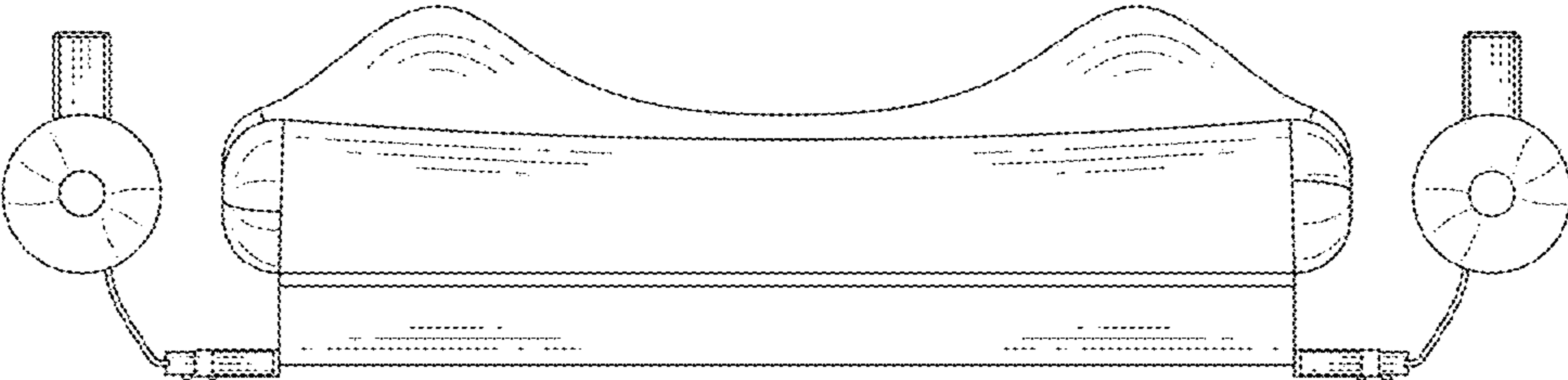


FIG.7