



US00D944911S

(12) **United States Design Patent**  
**Youk**

(10) **Patent No.:** **US D944,911 S**  
(45) **Date of Patent:** **\*\* Mar. 1, 2022**

(54) **FRAME FOR GOLF PRACTICE MAT**  
(71) Applicant: **ALPION Co., Ltd.**, Seongnam-si (KR)  
(72) Inventor: **Keenseok Youk**, Seongnam-si (KR)  
(73) Assignee: **ALPION Co., Ltd.**, Seongnam-si (KR)  
(\*\*) Term: **15 Years**  
(21) Appl. No.: **29/739,883**  
(22) Filed: **Jun. 30, 2020**

5,443,870 A \* 8/1995 Lurie ..... A63B 69/3661  
273/DIG. 13  
D389,211 S \* 1/1998 Desjardins ..... D21/792  
D415,235 S \* 10/1999 DeOliviera ..... D21/792  
D420,084 S \* 2/2000 Hooper ..... D21/792  
6,159,106 A \* 12/2000 Adams ..... A63B 69/36211  
473/265  
D590,471 S \* 4/2009 Aloisi ..... D21/792  
D731,610 S \* 6/2015 Marcy ..... D21/792  
D839,635 S \* 2/2019 Girard ..... D6/582  
2001/0034272 A1 \* 10/2001 Sobol ..... A63B 24/0021  
473/278  
2013/0288814 A1 \* 10/2013 Holland ..... A63B 69/3623  
473/278

(30) **Foreign Application Priority Data**

Mar. 13, 2020 (KR) ..... 30-2020-0011436

(51) **LOC (13) Cl.** ..... **21-02**

(52) **U.S. Cl.**  
USPC ..... **D21/792**

(58) **Field of Classification Search**  
USPC ..... D21/789, 791, 792  
CPC ..... A63B 69/36-3605; A63B 69/3608; A63B  
69/3658; A63B 69/3661-3667; A63B  
69/3691; A63B 69/3694; A63B 69/3623  
See application file for complete search history.

(56) **References Cited**

**U.S. PATENT DOCUMENTS**

3,143,350 A \* 8/1964 Lester ..... A63B 69/3661  
473/278  
4,311,312 A \* 1/1982 O'Brien ..... A63B 69/3661  
473/218  
D307,618 S \* 5/1990 Croghan ..... D21/792  
D312,117 S \* 11/1990 Duncan ..... D21/792

\* cited by examiner

*Primary Examiner* — Mitchell I. Siegel  
(74) *Attorney, Agent, or Firm* — Novick, Kim & Lee,  
PLLC; Sang Ho Lee; Hyun Woo Shin

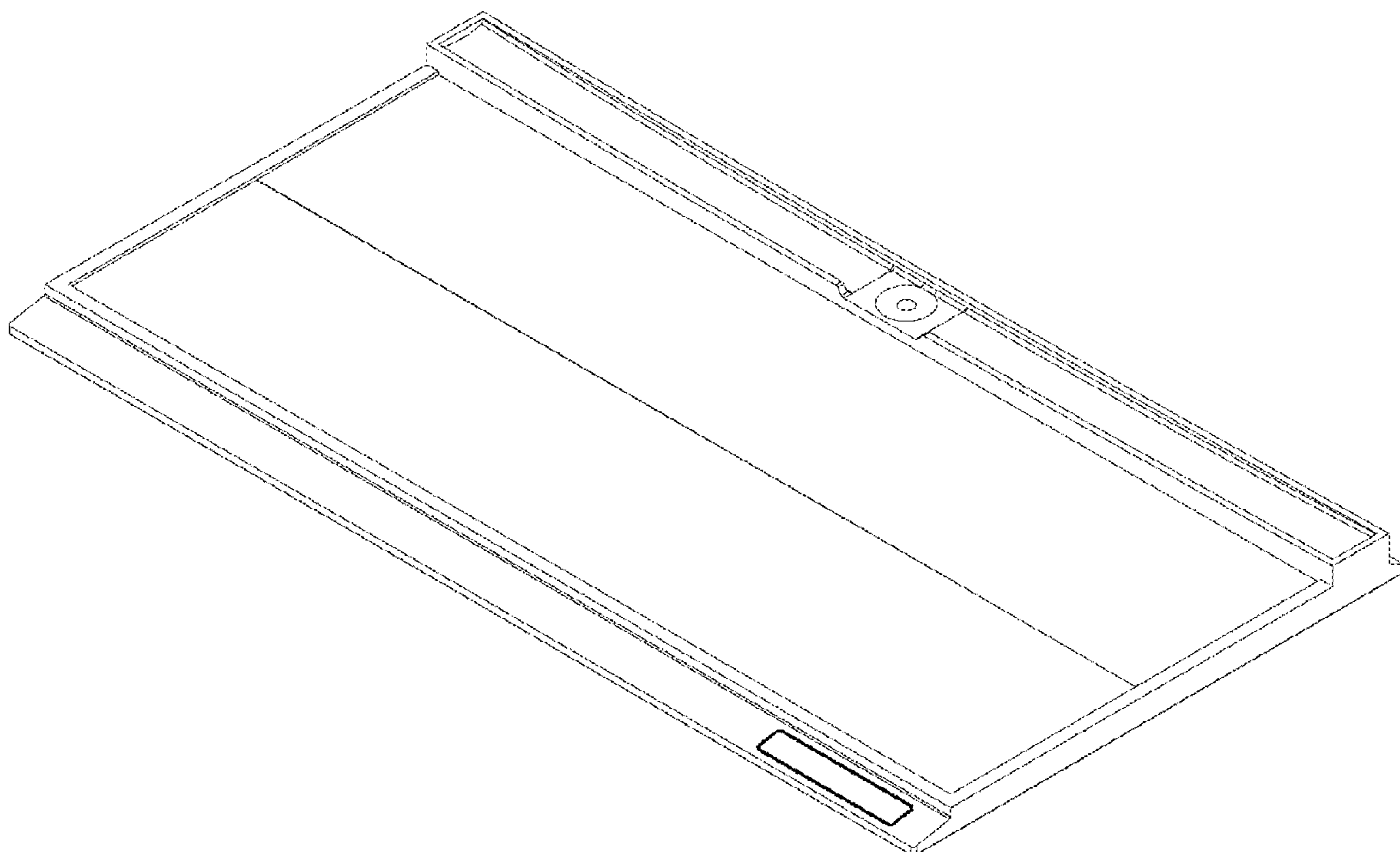
(57) **CLAIM**

I claim the ornamental design for a frame for golf practice mat, as shown and described.

**DESCRIPTION**

FIG. 1 is a top perspective view of a frame for golf practice mat, showing my new design;  
FIG. 2 is a front elevational view thereof;  
FIG. 3 is a rear elevational view thereof;  
FIG. 4 is a left side elevational view thereof;  
FIG. 5 is a right side elevational view thereof;  
FIG. 6 is a top plan view thereof;  
FIG. 7 is a bottom plan view thereof; and,  
FIG. 8 is a bottom perspective view thereof.

**1 Claim, 4 Drawing Sheets**



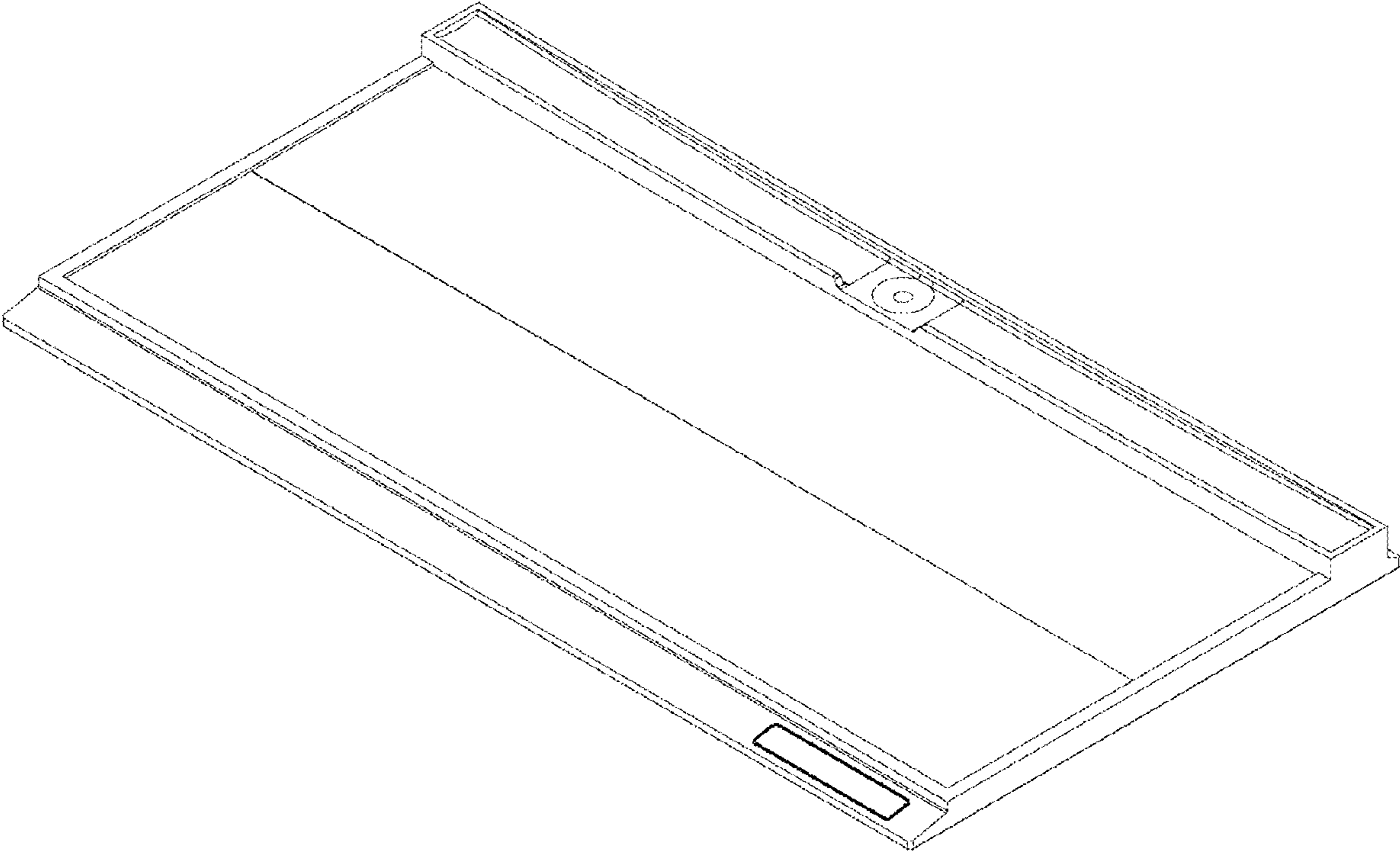
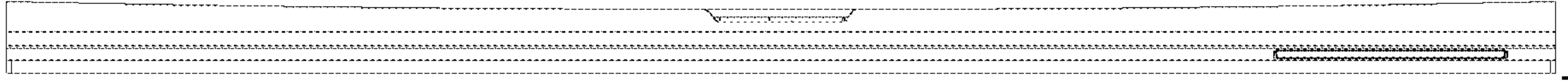
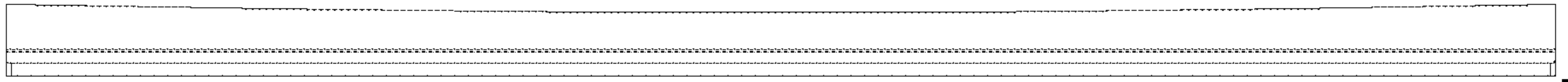


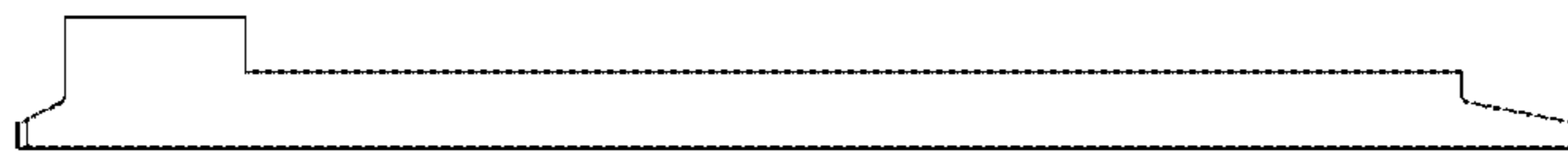
FIG. 1



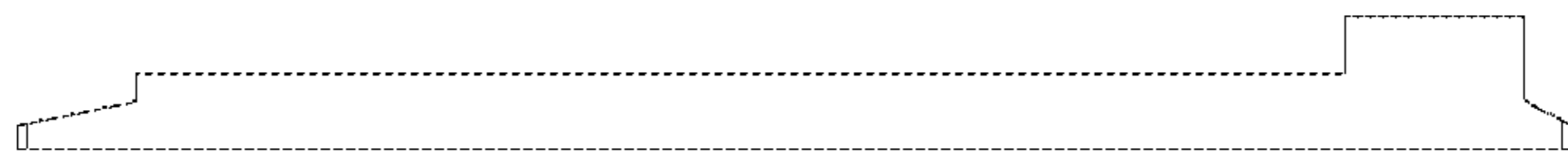
**FIG. 2**



**FIG. 3**



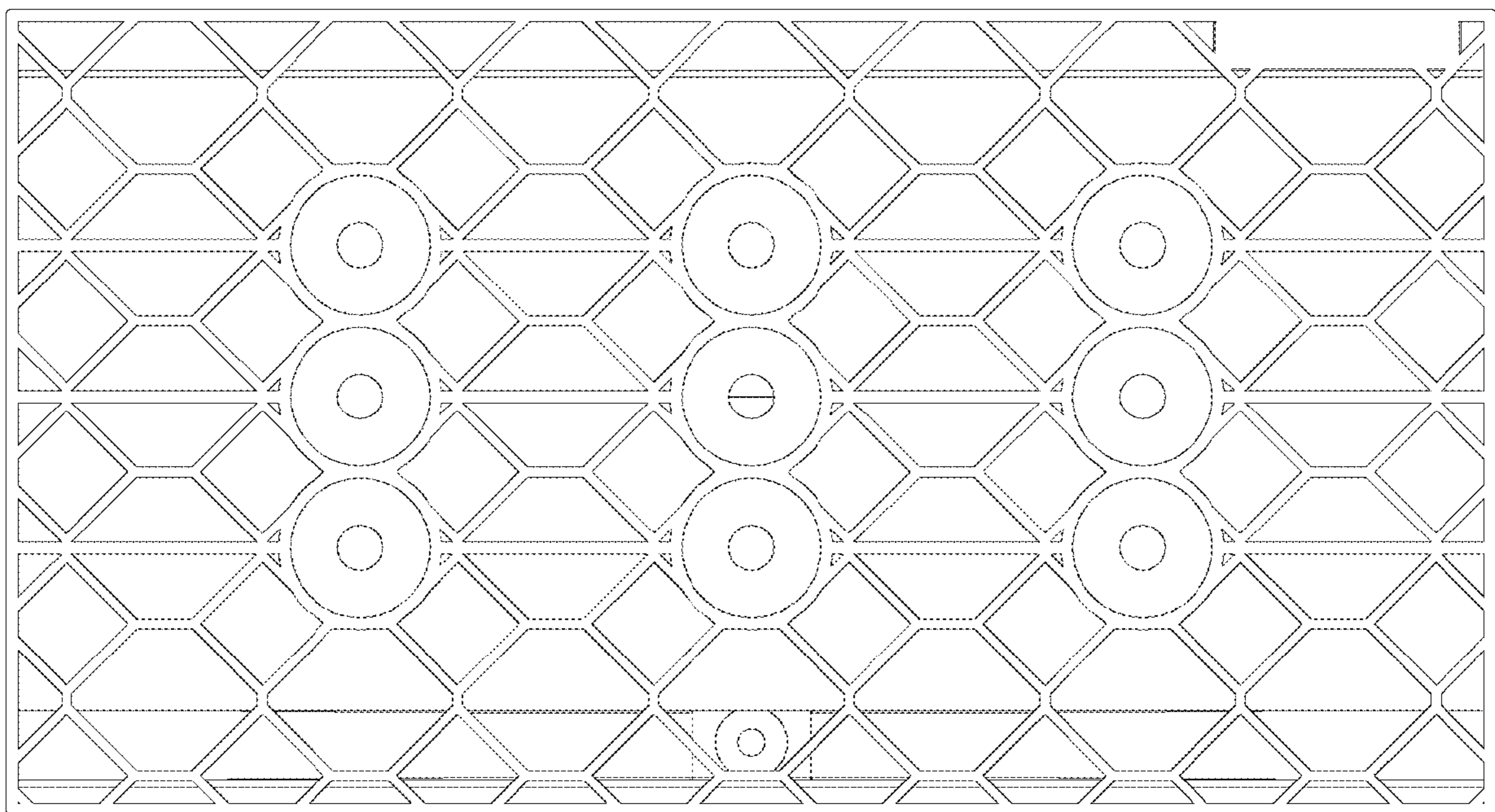
**FIG. 4**



**FIG. 5**



**FIG. 6**



**FIG. 7**

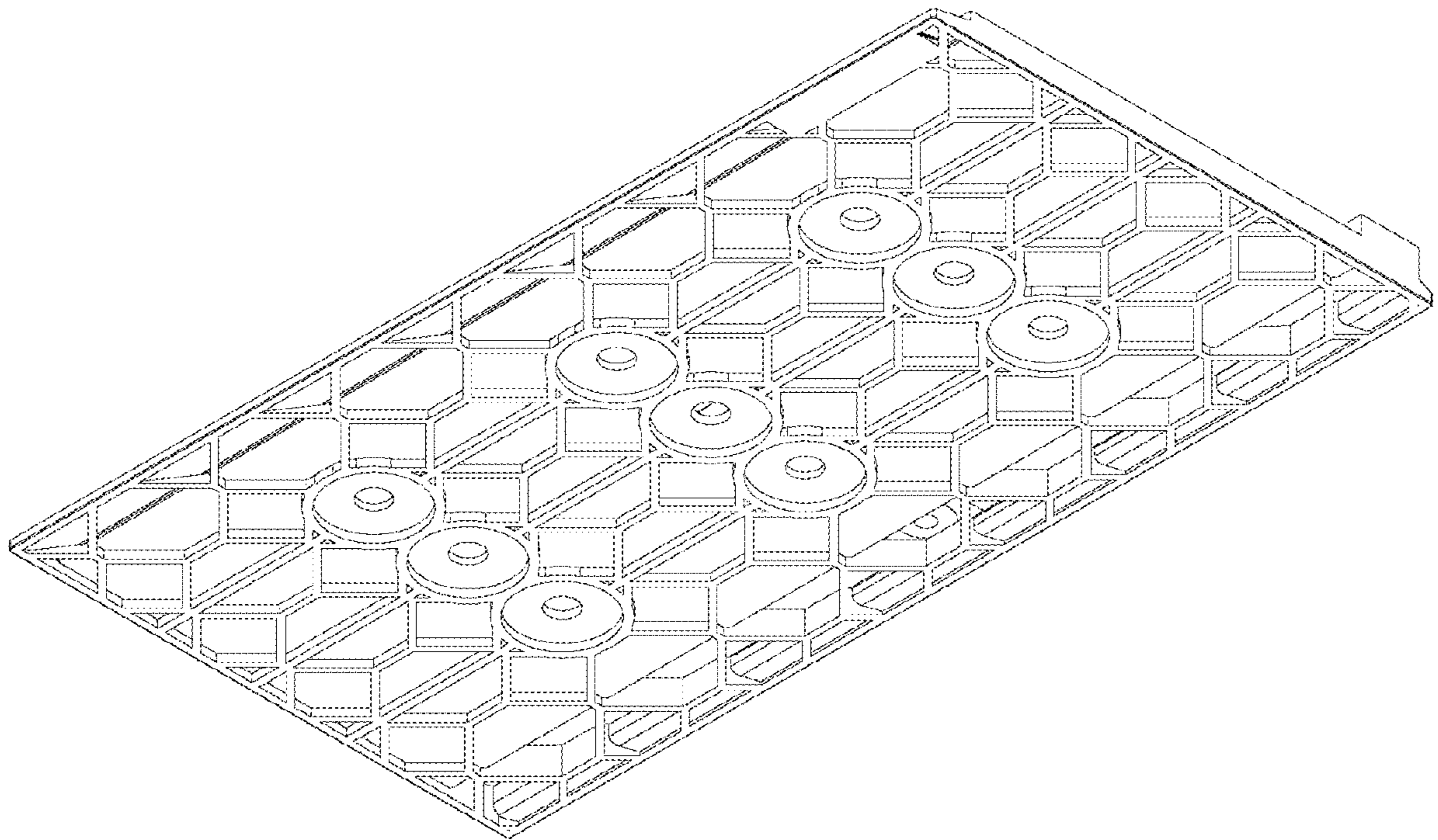


FIG. 8