



US00D944908S

(12) **United States Design Patent**
Chun et al.

(10) **Patent No.:** **US D944,908 S**

(45) **Date of Patent:** **** Mar. 1, 2022**

(54) **IRON GOLF CLUB HEAD**

(71) Applicant: **Acushnet Company**, Fairhaven, MA
(US)

(72) Inventors: **Kevin J. Chun**, Encinitas, CA (US);
Gentry Ferguson, San Marcos, CA
(US)

(73) Assignee: **Acushnet Company**, Fairhaven, MA
(US)

(**) Term: **15 Years**

(21) Appl. No.: **29/741,680**

(22) Filed: **Jul. 15, 2020**

(51) **LOC (13) Cl.** **21-02**

(52) **U.S. Cl.**
USPC **D21/747**

(58) **Field of Classification Search**
USPC D21/747-751, 759
CPC A63B 53/00; A63B 53/02; A63B 53/04;
A63B 53/047; A63B 53/0475; A63B
2053/0479; A63B 2053/0483; A63B
2053/0445; A63B 60/00; A63B 60/46
See application file for complete search history.

(56) **References Cited**

U.S. PATENT DOCUMENTS

D753,249 S * 4/2016 Song D21/749
D753,250 S * 4/2016 Song D21/749

D854,639 S * 7/2019 Chun D21/747
D866,692 S * 11/2019 Kitching, Jr. D21/747
D867,499 S * 11/2019 Kitching, Jr. D21/747
D867,500 S * 11/2019 Wolfe D21/747
D900,261 S * 10/2020 Chun D21/747
D910,128 S * 2/2021 Kitching, Jr. D21/747
D926,273 S * 7/2021 Agrella D21/747
D926,274 S * 7/2021 Agrella D21/747
D926,899 S * 8/2021 Clarke D21/747

* cited by examiner

Primary Examiner — Mitchell I. Siegel

(74) *Attorney, Agent, or Firm* — Randy K. Chang

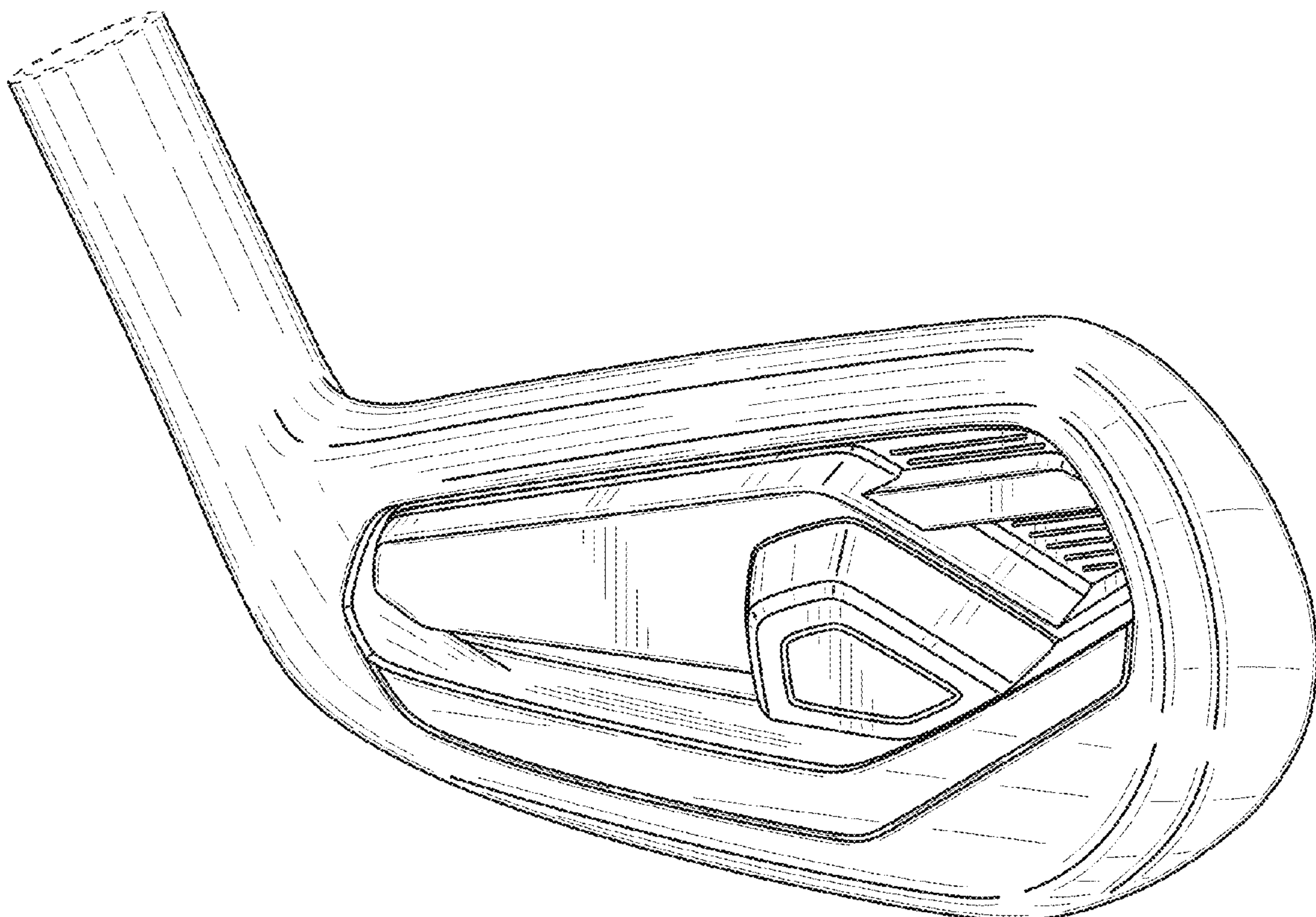
(57) **CLAIM**

The ornamental design for iron golf club head, as shown and described.

DESCRIPTION

FIG. 1 is a perspective back view of my new design for an iron golf club head;
FIG. 2 is a heel end view thereof;
FIG. 3 is a toe end view thereof;
FIG. 4 is a top plan view thereof;
FIG. 5 is a rear elevational view thereof;
FIG. 6 is a front elevation view thereof; and,
FIG. 7 is a bottom plan view thereof.
The broken lines shown form no part of the claimed design.

1 Claim, 3 Drawing Sheets



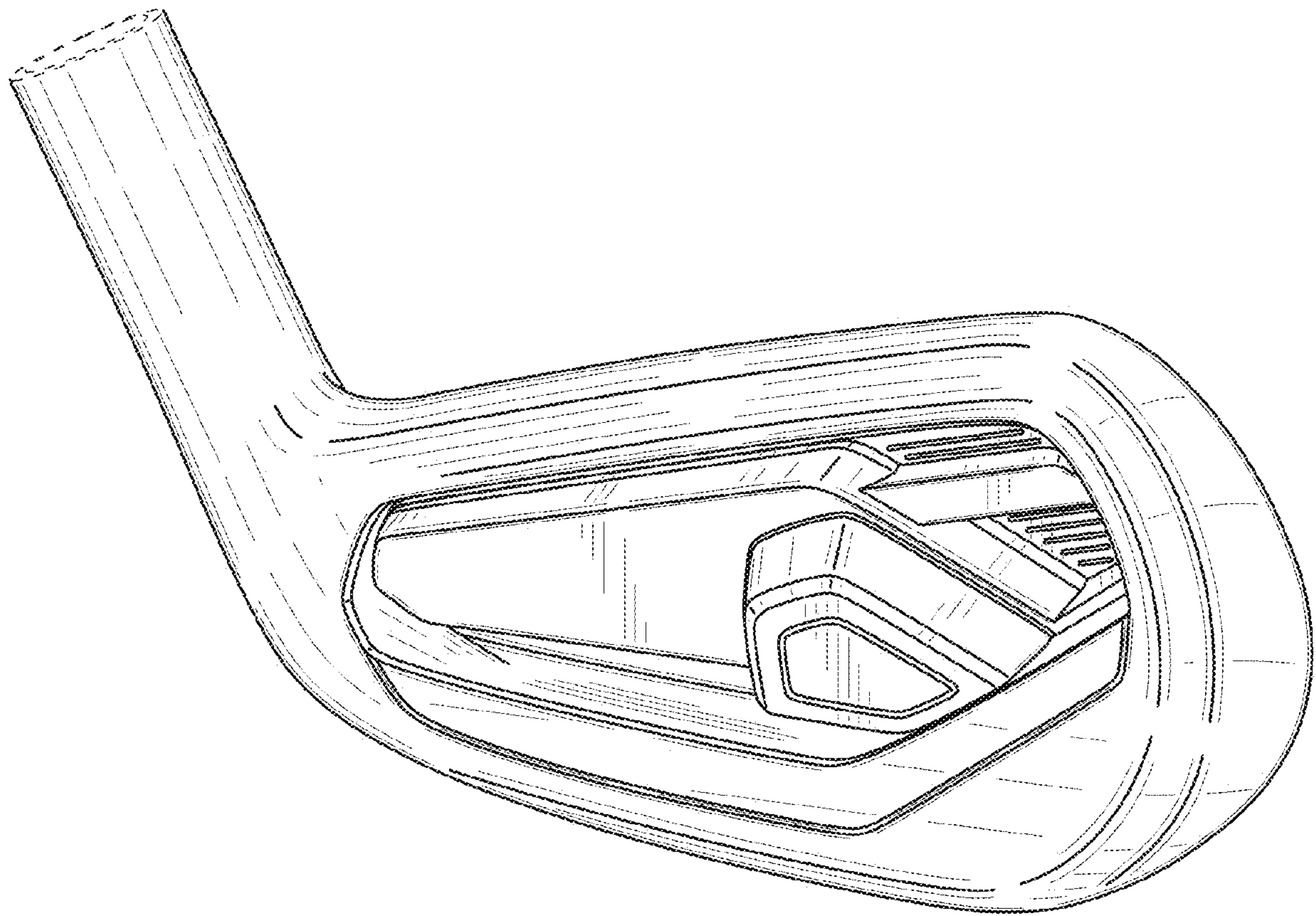


FIG. 1

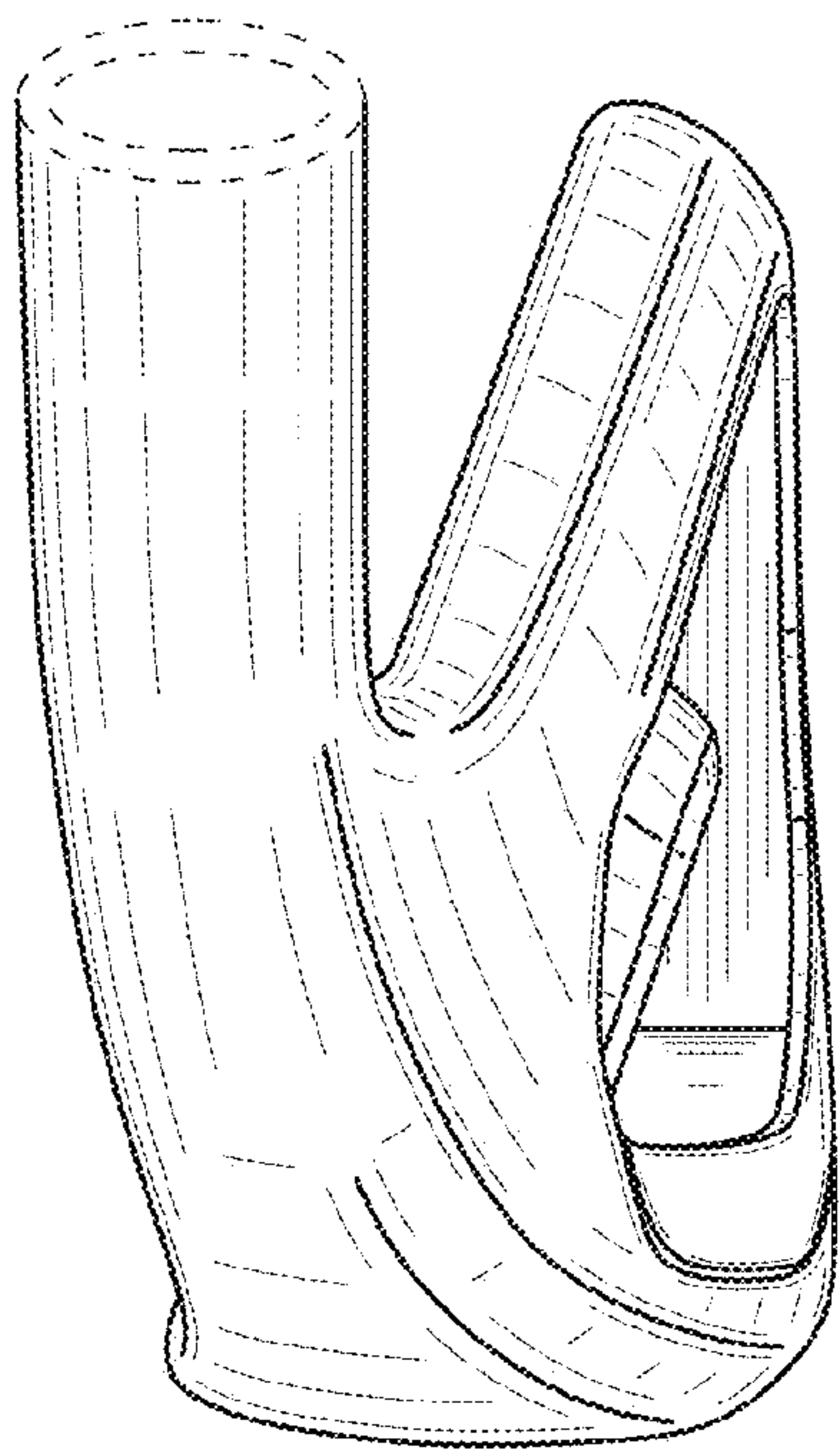


FIG. 2

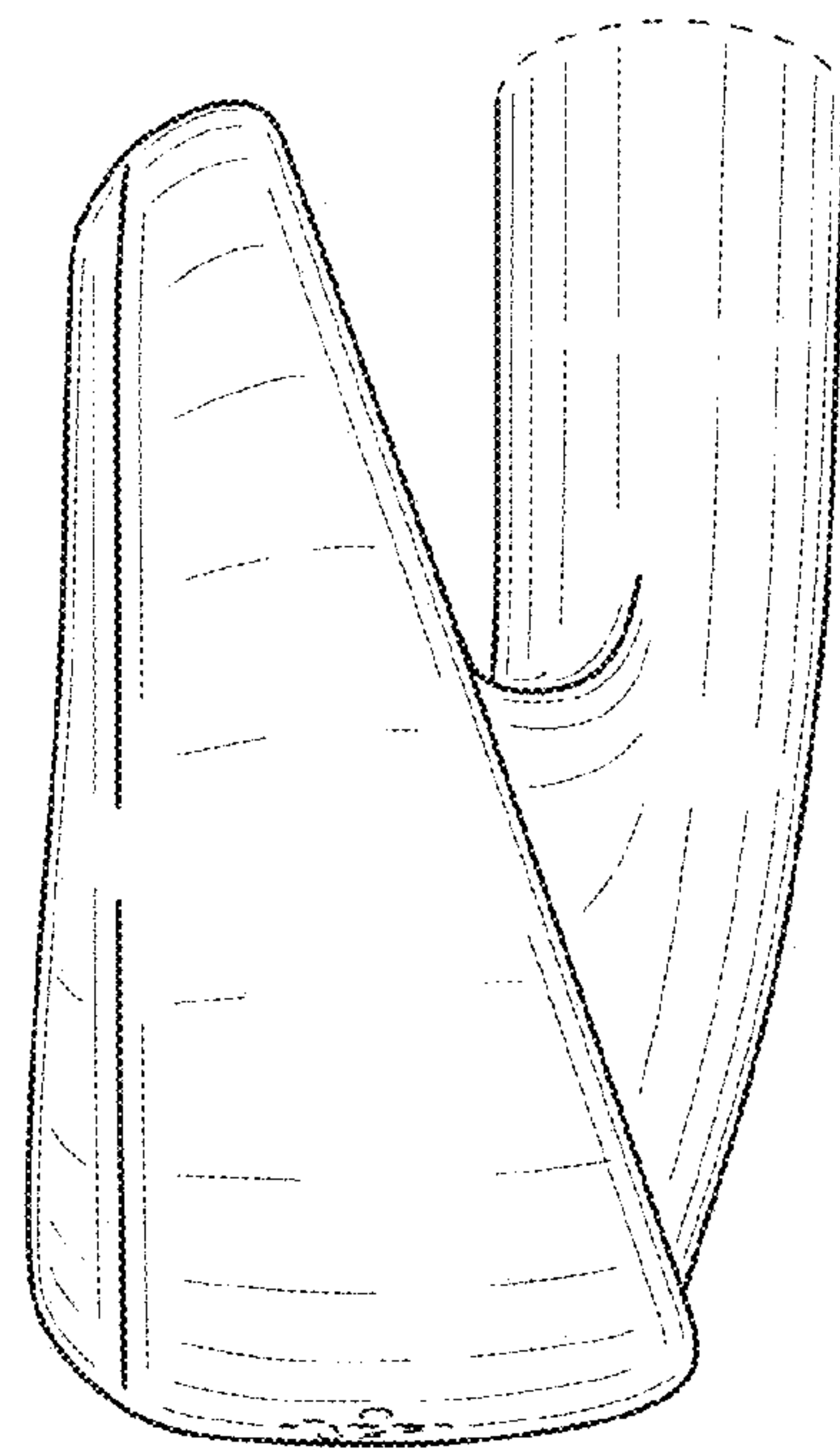


FIG. 3

FIG. 4

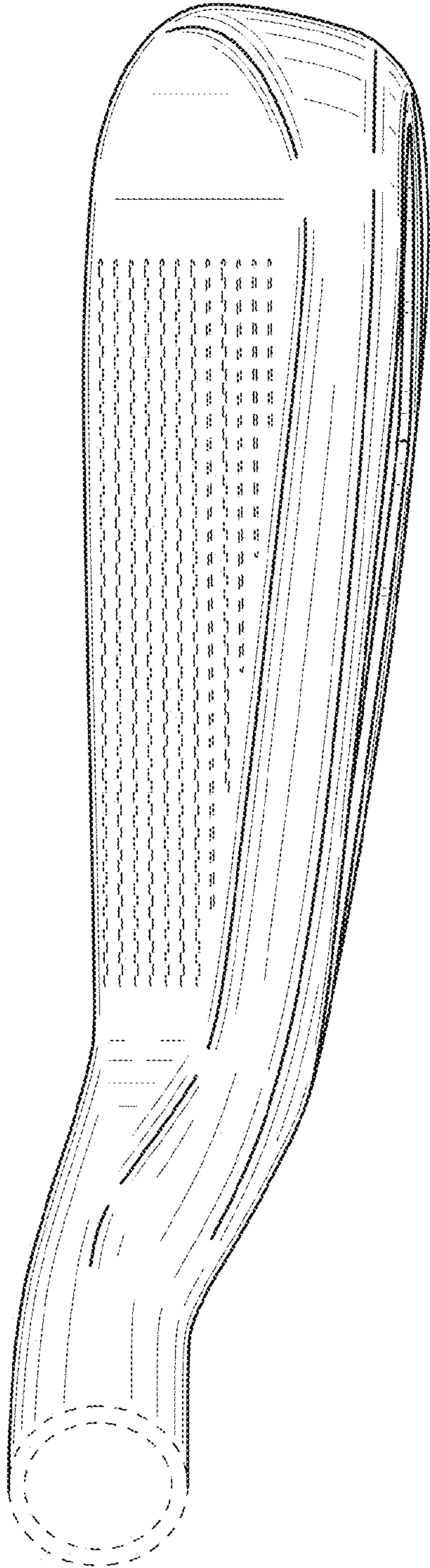
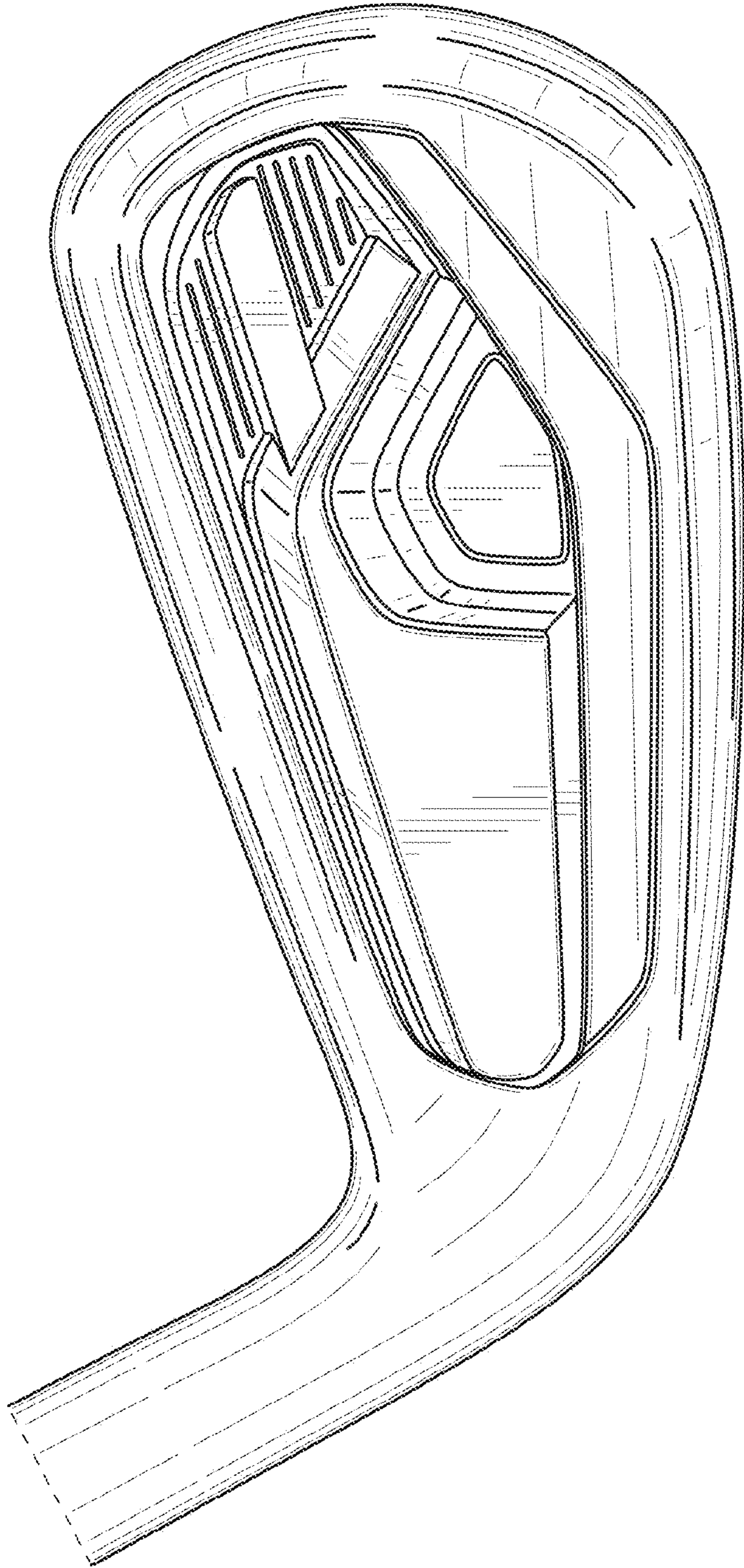


FIG. 5



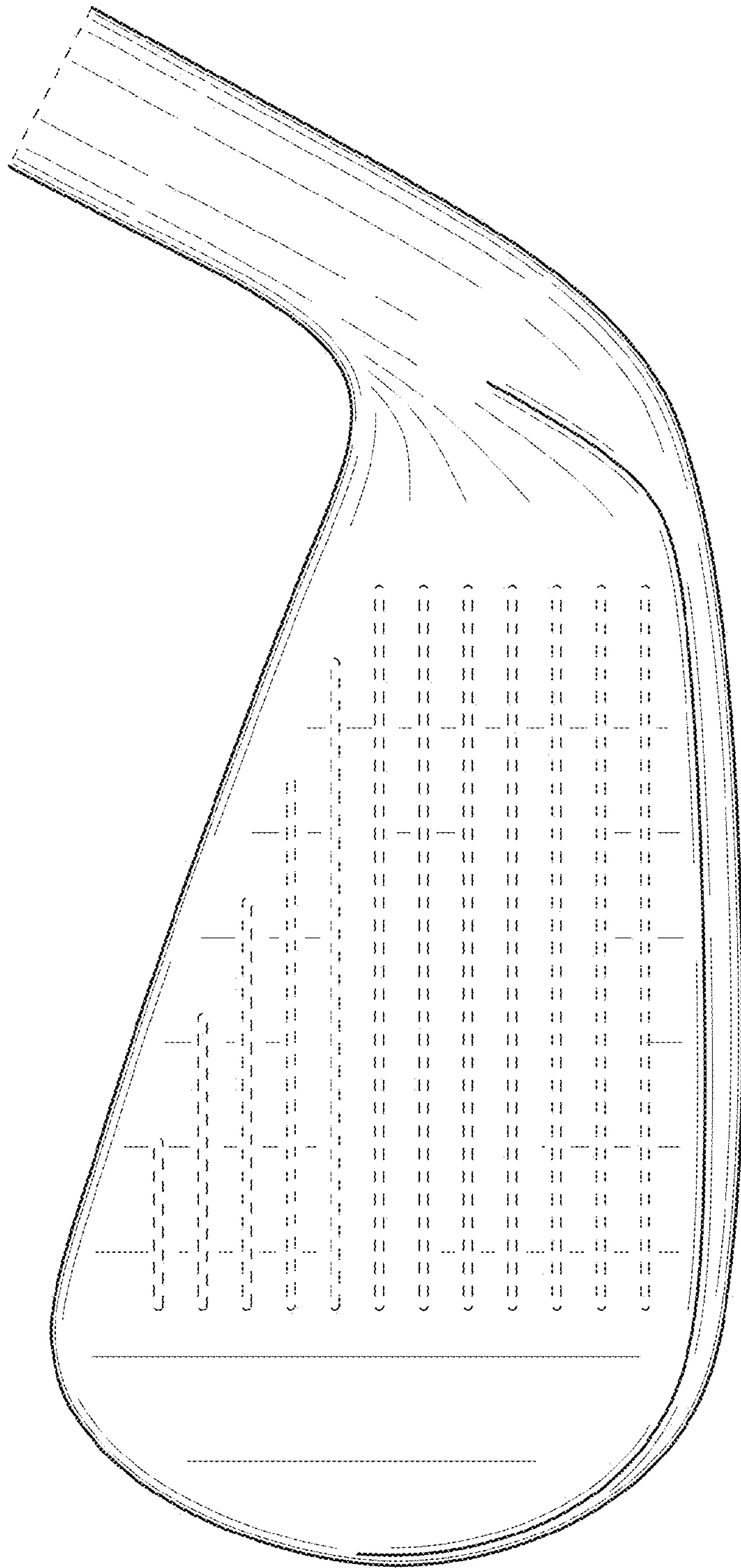


FIG. 6

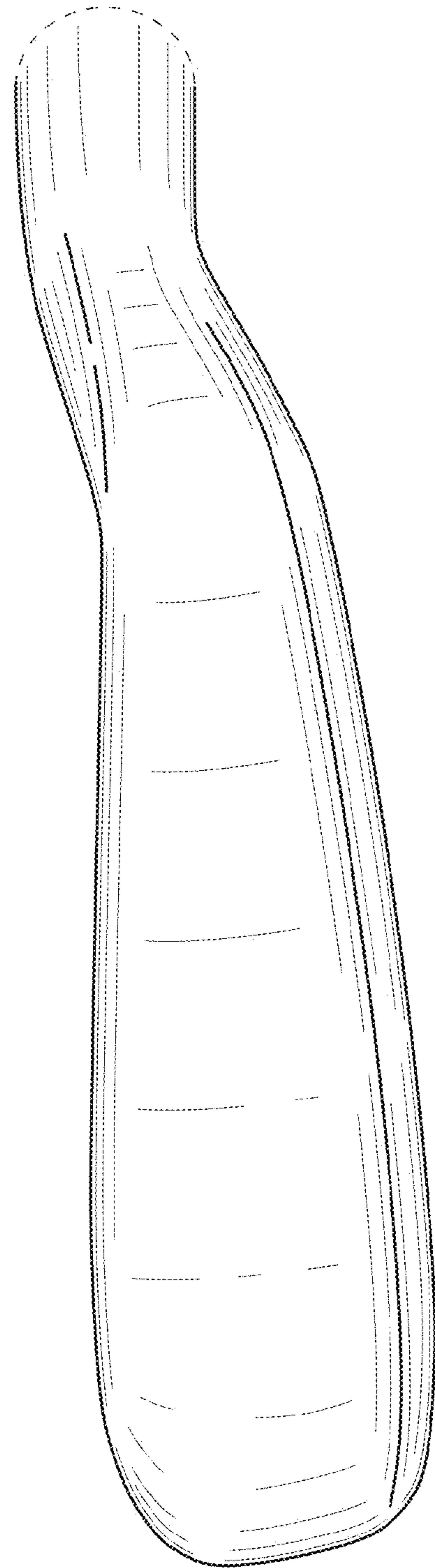


FIG. 7