



US00D944906S

(12) **United States Design Patent** (10) **Patent No.:** **US D944,906 S**
Che (45) **Date of Patent:** **** Mar. 1, 2022**

(54) **SQUAT WEDGE**

OTHER PUBLICATIONS

(71) Applicant: **QINGDAO FEELINGMODE E-COMMERCE CO., LTD.**, Qingdao (CN)

Harderwill by Harderwill dated Sep. 22, 2020. Found online [Nov. 18, 2021] https://www.amazon.com/Harderwill-Adjustable-Non-Slip-Deadlift-Stretcher/dp/B08JLLC58P/ref=sr_1_1_sspa?crd=D7WEJYU4T2YI&keywords=harderwill+squat+wedge&qid=1637158476&sprefix=harder+will+%2Caps%2C172&sr=8-1-spons&psc.*

(72) Inventor: **Wenjia Che**, Qingdao (CN)

(Continued)

(73) Assignee: **QINGDAO FEELINGMODE E-COMMERCE CO., LTD.**, Qingdao (CN)

Primary Examiner — Ryan Harvey

(**) Term: **15 Years**

(57) **CLAIM**

(21) Appl. No.: **29/768,885**

The ornamental design for a squat wedge, as shown and described.

(22) Filed: **Feb. 2, 2021**

DESCRIPTION

(51) **LOC (13) Cl.** **21-02**

(52) **U.S. Cl.**
USPC **D21/694**

(58) **Field of Classification Search**
USPC D21/662, 685, 686, 694; D6/601; D12/106; 482/91, 148
CPC A63B 2023/006; A63B 21/4039; A63B 21/0004; A63B 21/0601; A63B 21/4015; A63B 21/00047; A63B 23/0405; A63B 21/0442; A63B 21/4034; A63B 21/4035; A63B 23/03525; A63B 2023/0411; A61H 1/0266; B60T 3/00

FIG. 1 is a perspective view of a first component of a squat wedge showing my new design;
FIG. 2 is another perspective view thereof;
FIG. 3 is a front elevational view thereof;
FIG. 4 is a rear elevational view thereof;
FIG. 5 is a left side elevational view thereof;
FIG. 6 is a right side elevational view thereof;
FIG. 7 is a top plan view thereof;
FIG. 8 is a bottom plan view thereof;
FIG. 9 is an enlarged view of portion 9 shown in FIG. 2;
FIG. 10 is a perspective view of a second component of the squat wedge showing my new design;
FIG. 11 is another perspective view thereof;
FIG. 12 is a front elevational view thereof;
FIG. 13 is a rear elevational view thereof;
FIG. 14 is a left side elevational view thereof;
FIG. 15 is a right side elevational view thereof;
FIG. 16 is a top plan view thereof;
FIG. 17 is a bottom plan view thereof;
FIG. 18 is an enlarged view of portion 18 shown in FIG. 11; and,
FIG. 19 is a perspective view of the squat wedge where the first component and the second component are combined to form the squat wedge.

See application file for complete search history.

(56) **References Cited**

U.S. PATENT DOCUMENTS

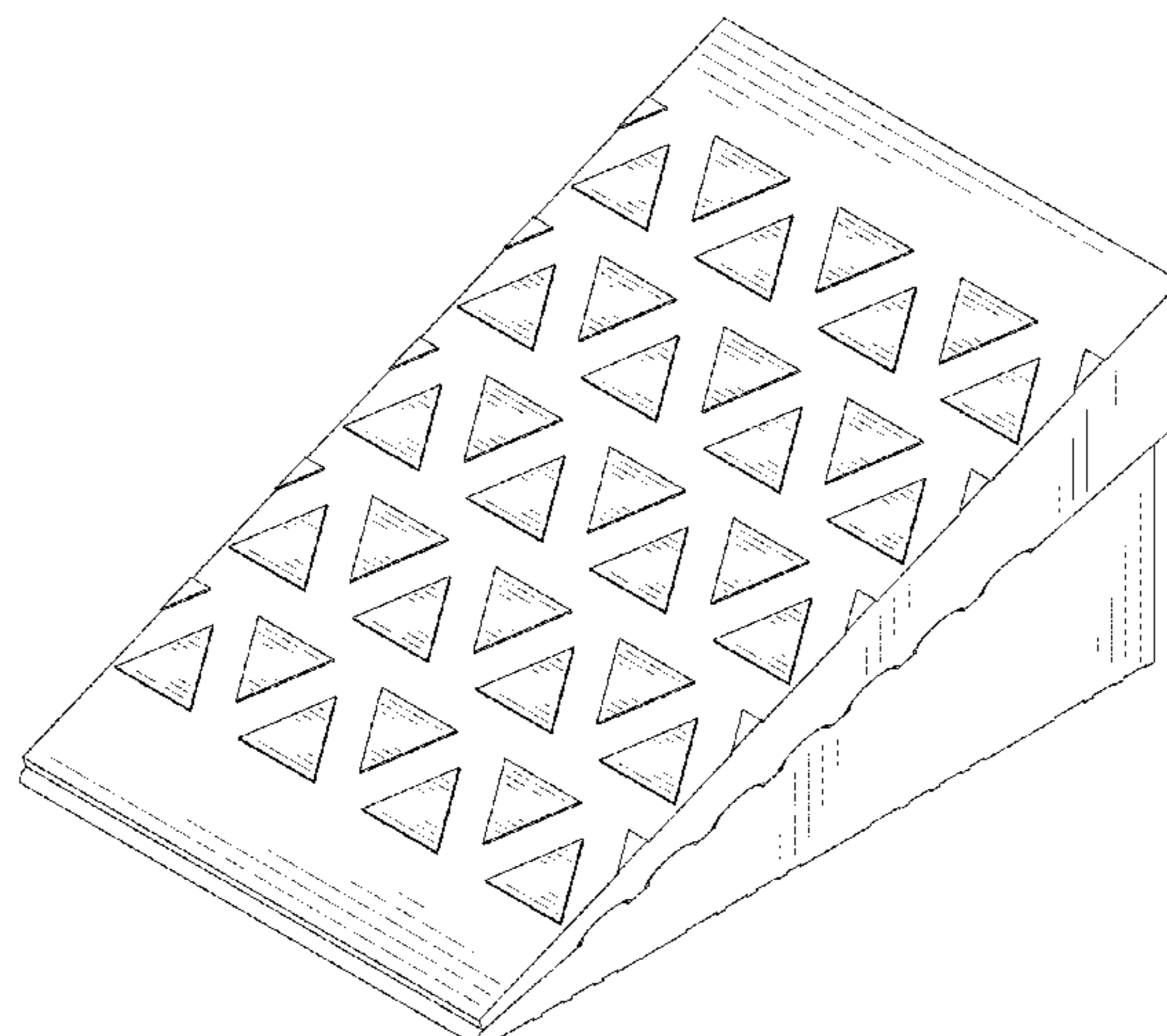
3,664,466 A * 5/1972 Rotheiser B60T 3/00 188/32
D298,266 S * 10/1988 Reyneke D21/685
D302,450 S * 7/1989 Zutler D21/685
D359,323 S * 6/1995 Ross D21/685

(Continued)

FOREIGN PATENT DOCUMENTS

DE 4429521 A1 * 2/1996 B60T 3/00
EP 1300305 A2 * 4/2003 B60T 3/00

1 Claim, 19 Drawing Sheets



(56)

References Cited

U.S. PATENT DOCUMENTS

D446,676	S *	8/2001	Mayes	D6/601
D565,131	S *	3/2008	Decker	D21/686
D675,267	S *	1/2013	Jamison, Jr.	D21/686
D681,751	S *	5/2013	Meyer-Hayoz	D21/686
D778,373	S *	2/2017	Gossett	D21/685
D918,776	S *	5/2021	Angel	D12/106
2009/0192028	A1 *	7/2009	Shank	A63B 26/00 482/148
2014/0274589	A1 *	9/2014	Harkins	A63B 21/00047 482/91
2017/0087406	A1 *	3/2017	Duffy	A63B 21/0442
2017/0291055	A1 *	10/2017	Madion	A63B 21/4039
2018/0207470	A1 *	7/2018	Duffy	A63B 23/0405
2019/0290955	A1 *	9/2019	Duffy	A63B 21/055
2020/0324149	A1 *	10/2020	Meyer	B25F 1/00

OTHER PUBLICATIONS

“13" Large Yoga Foam Wedge, Slant Board, Calf Stretcher, Improve Lower Leg Strength, Stability, Incline Wedge, Knee Pad, Back Support, Footrest Cushion, Physical Therapy, One Pair”, Retrieved Jan. 25, 2021]. Retrieved from Internet, <https://www.amazon.com/Stretcher-Improve-Strength-Stability-Foot-Rest/dp/B07BGX788X/ref>.

“Small Compact Comfortable Dense Foam Incline Compact Stretch Wedge—Calf, Wrist—14.5 Deg”, Retrieved Jan. 25, 2021]. Retrieved from Internet, <https://www.amazon.com/Comfortable-Dense-Incline-Compact-Stretch/dp/B0166705Y6/ref>.

* cited by examiner

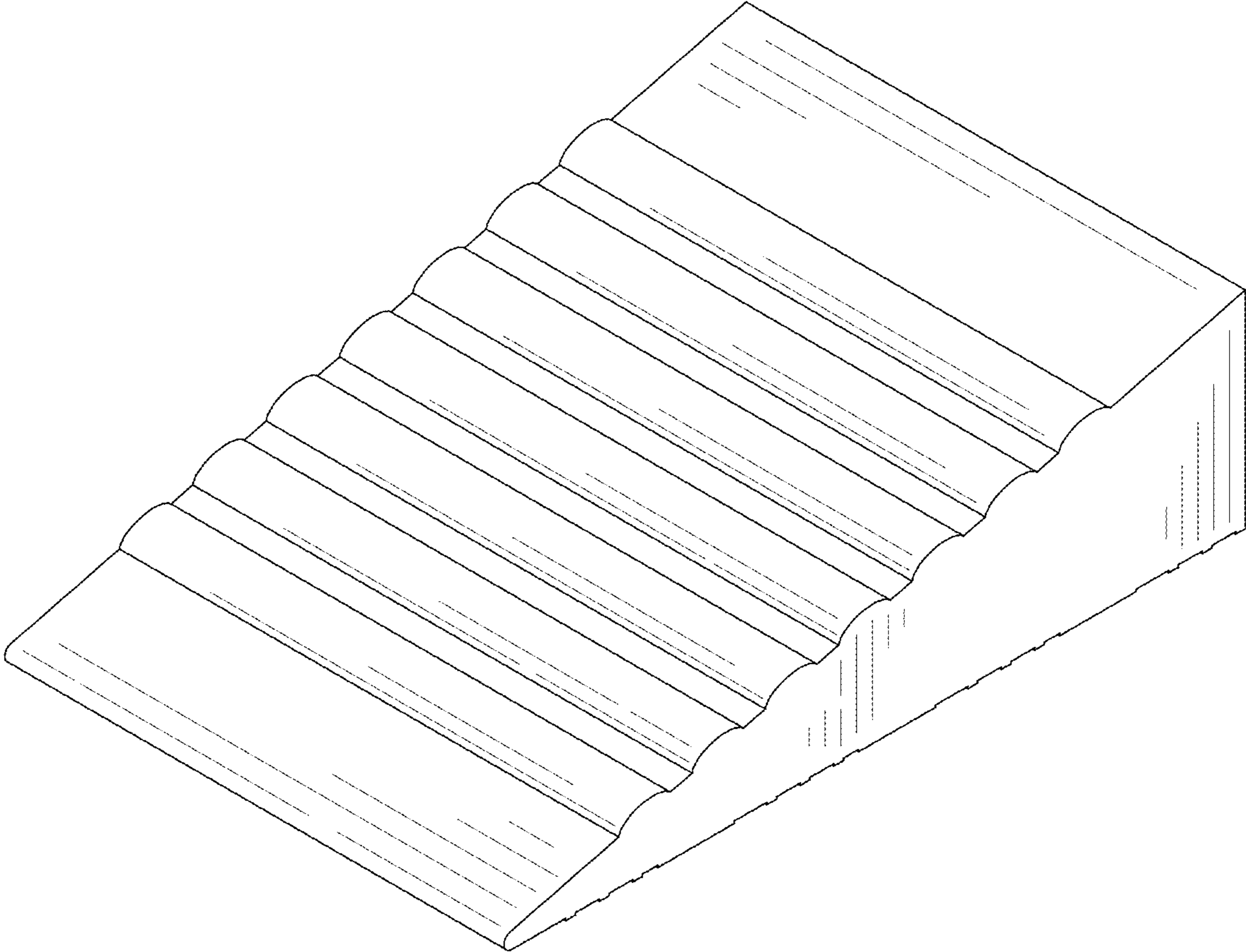


FIG. 1

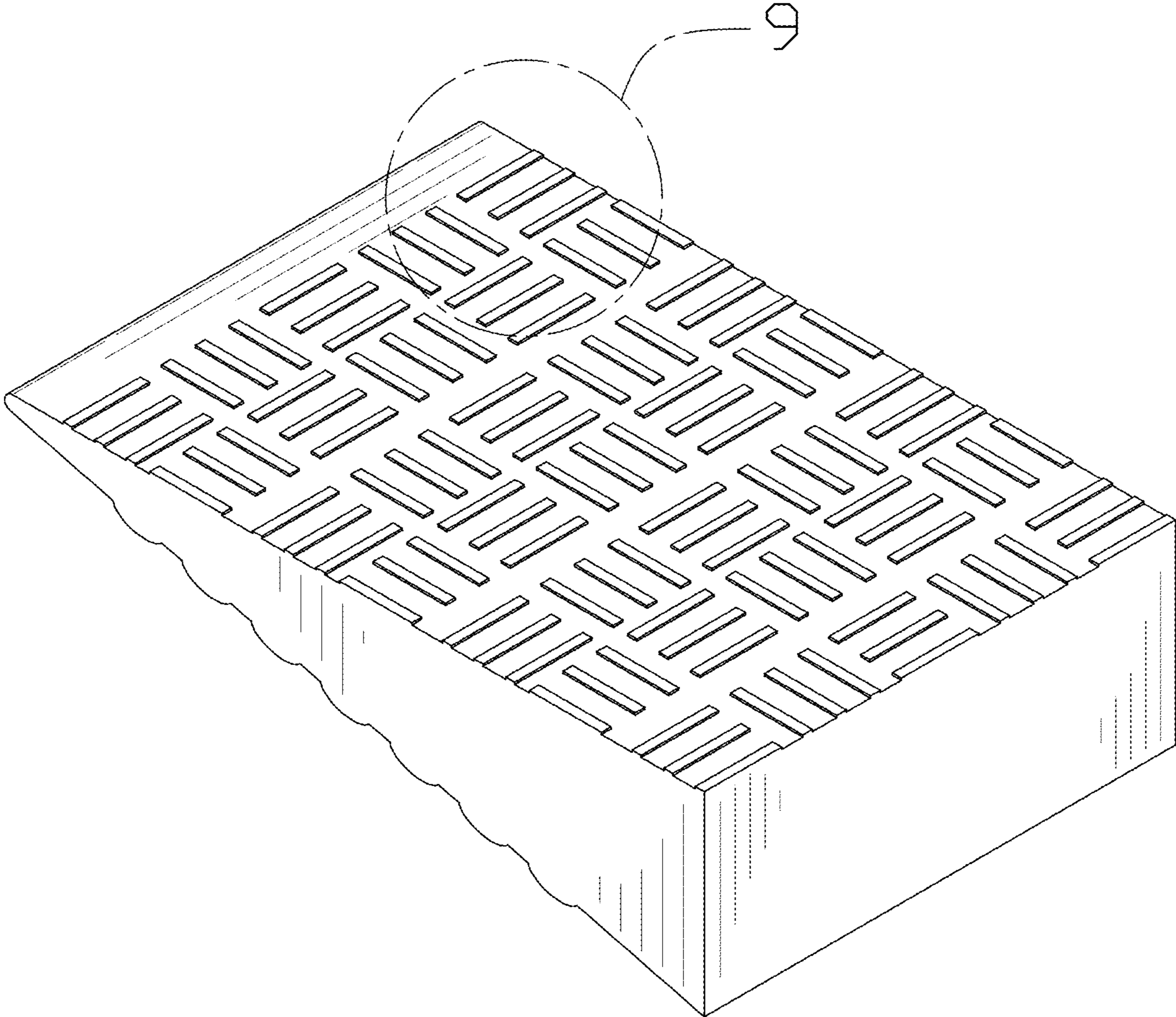


FIG. 2

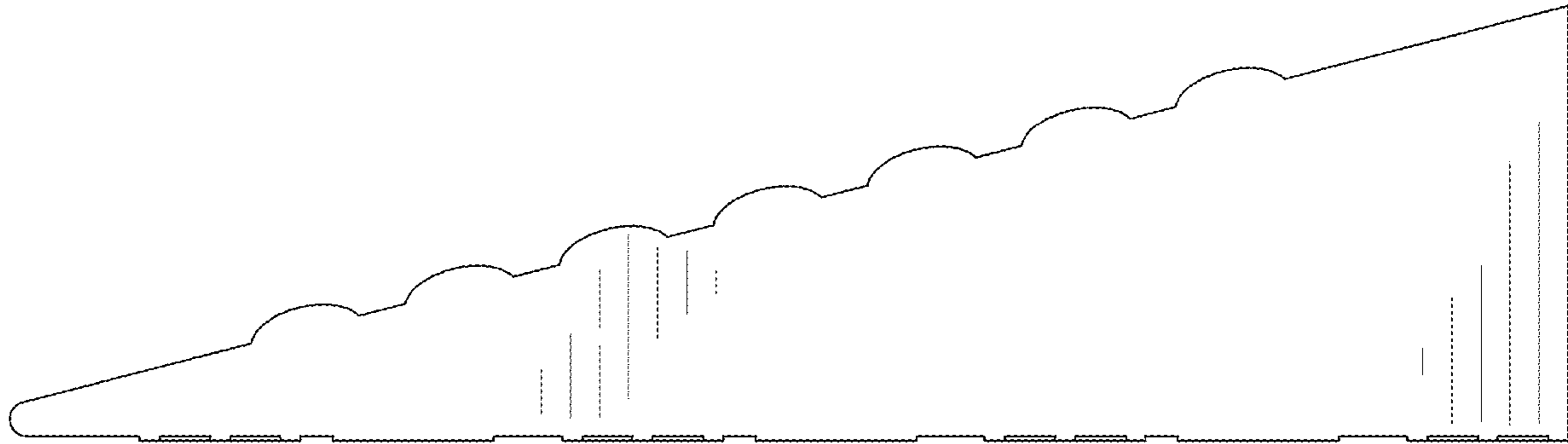


FIG. 3

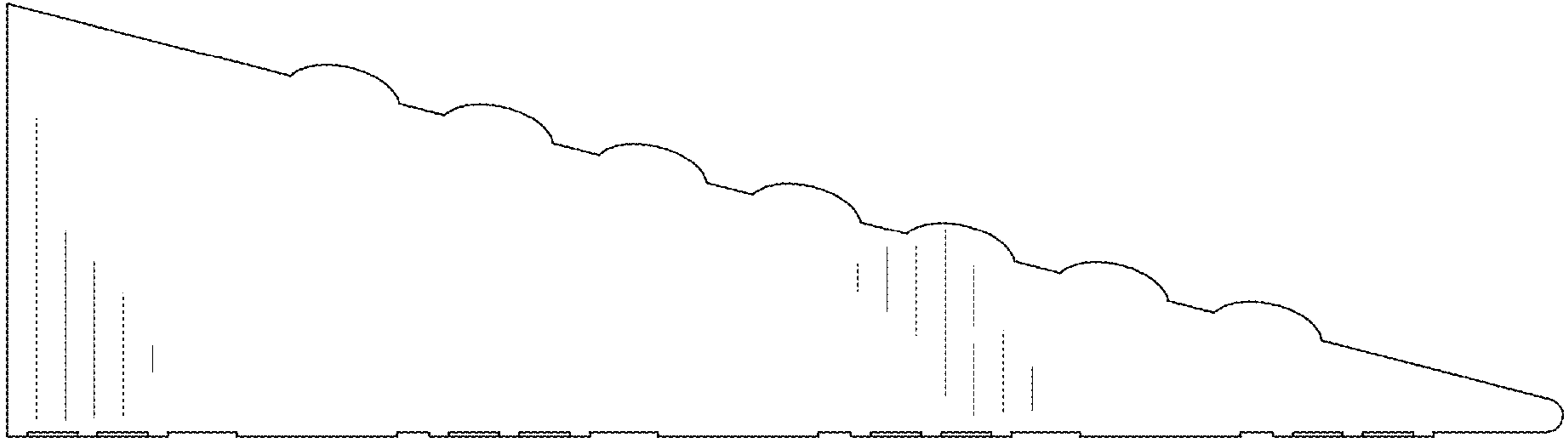


FIG. 4

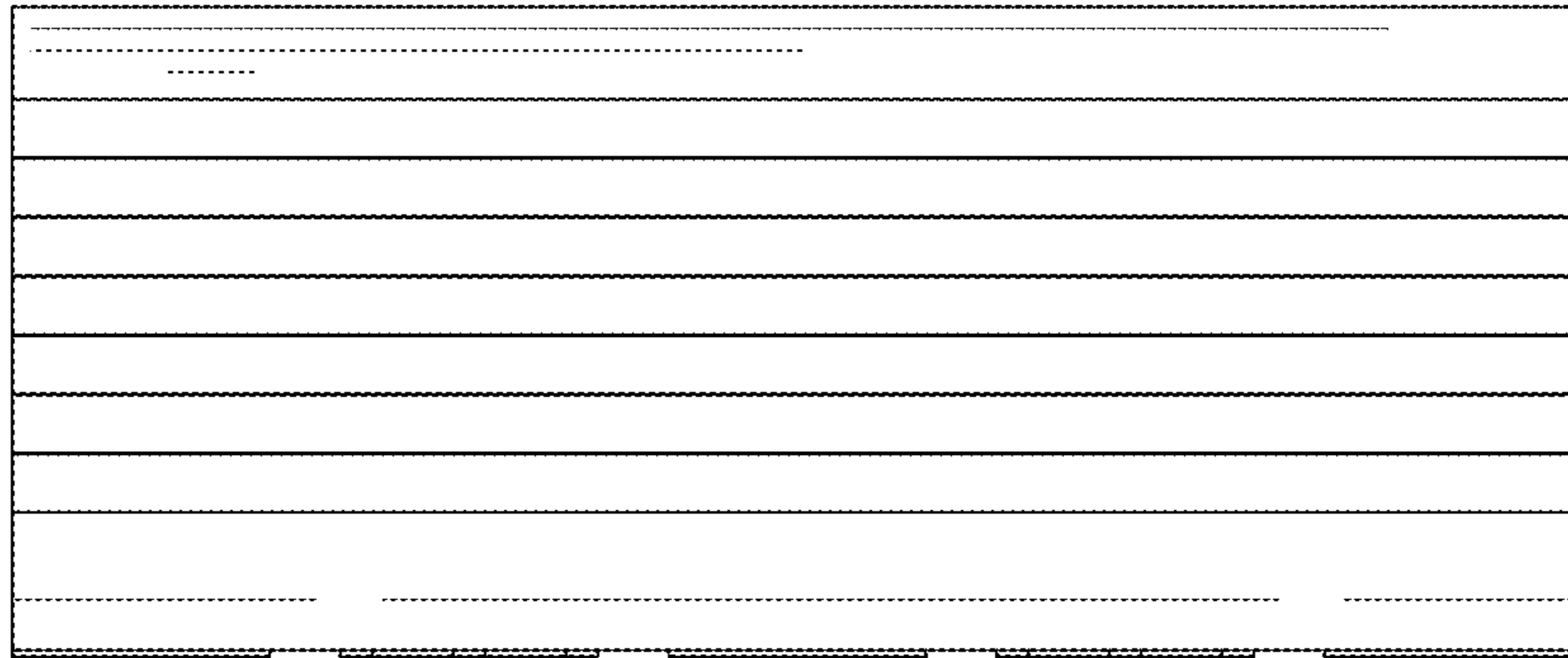


FIG. 5

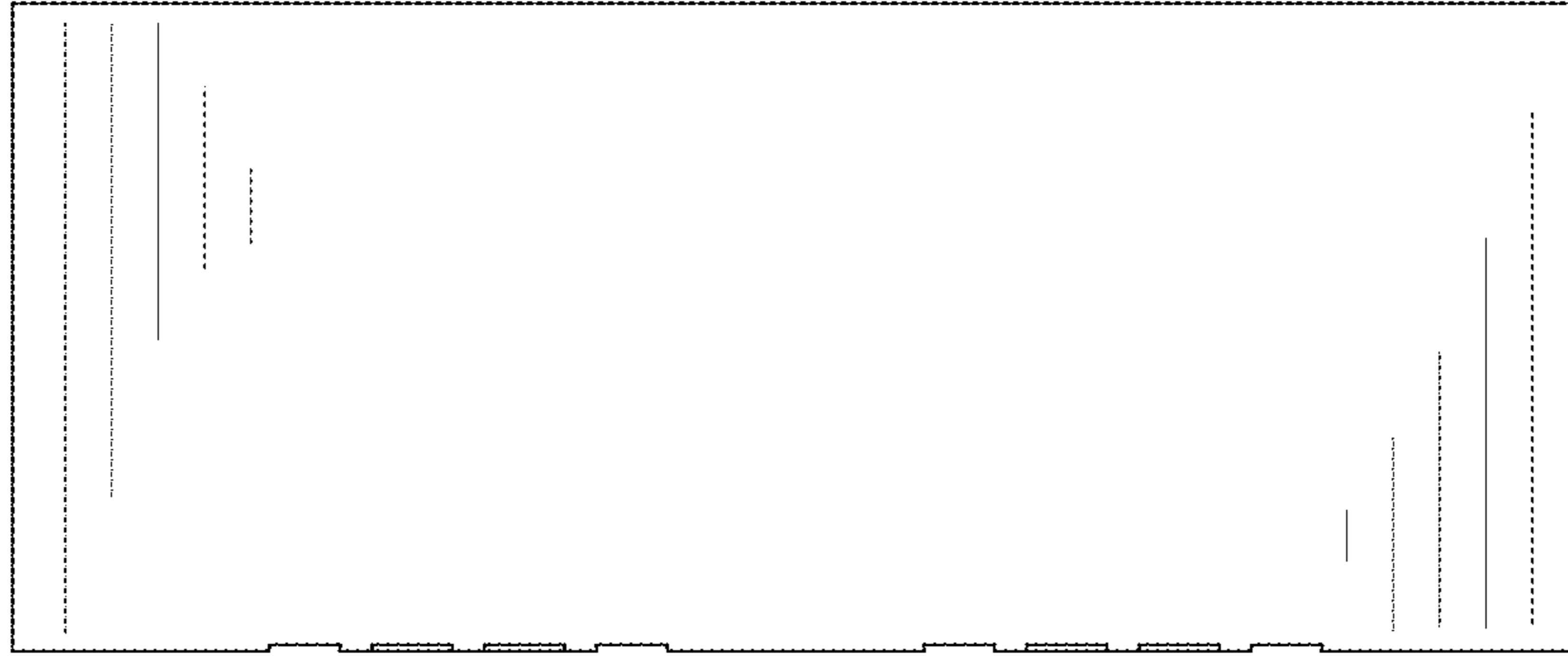


FIG. 6

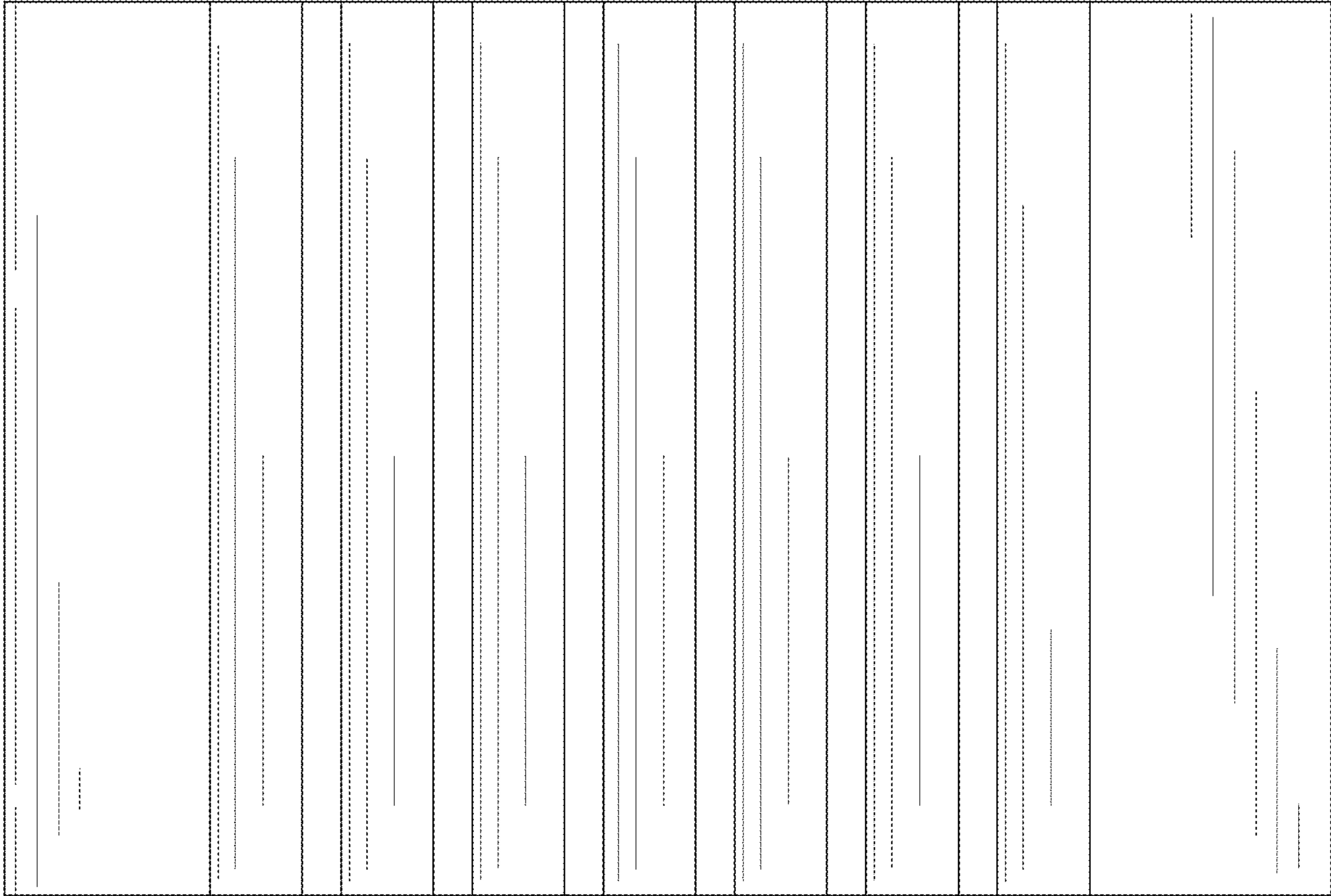


FIG. 7

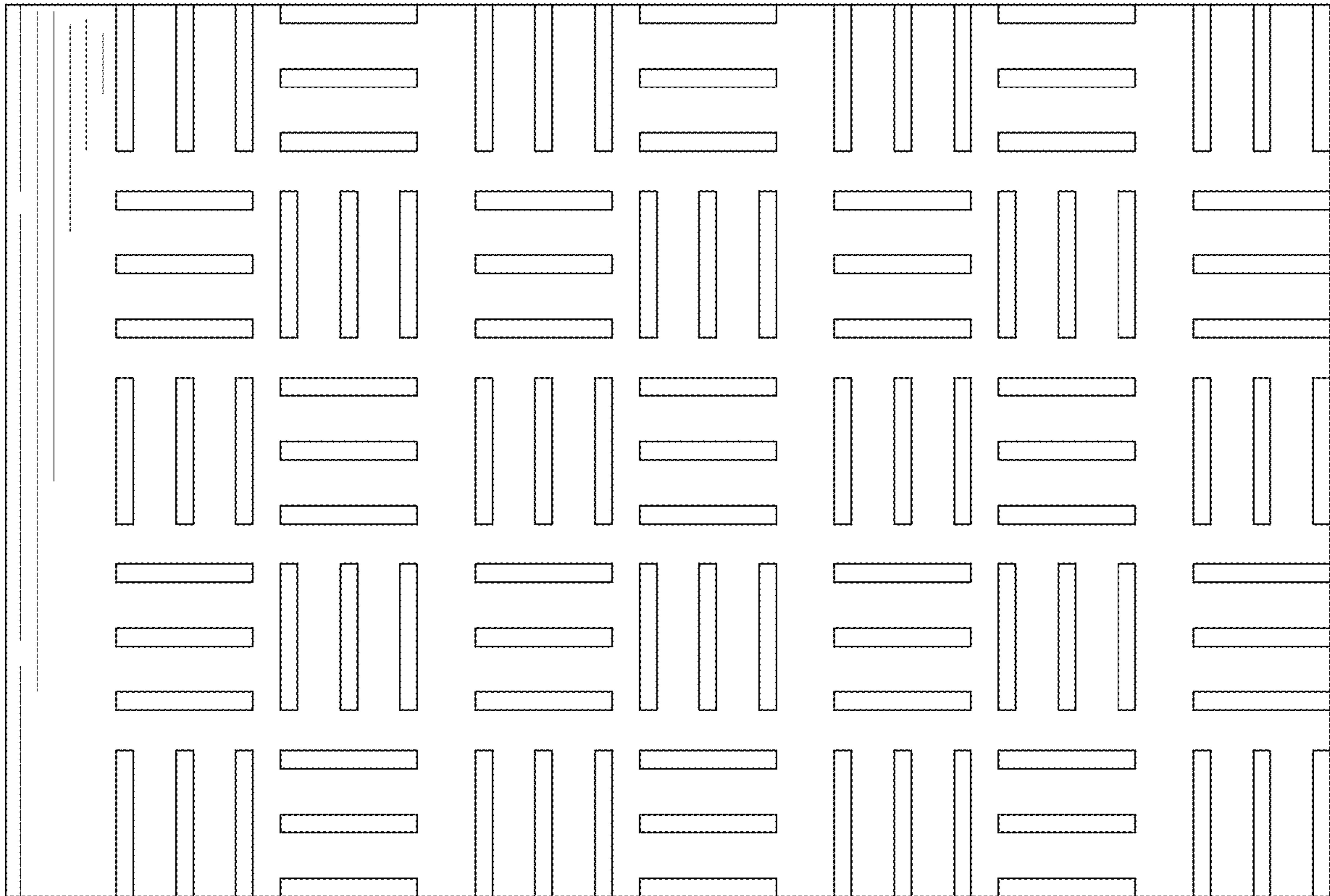


FIG. 8

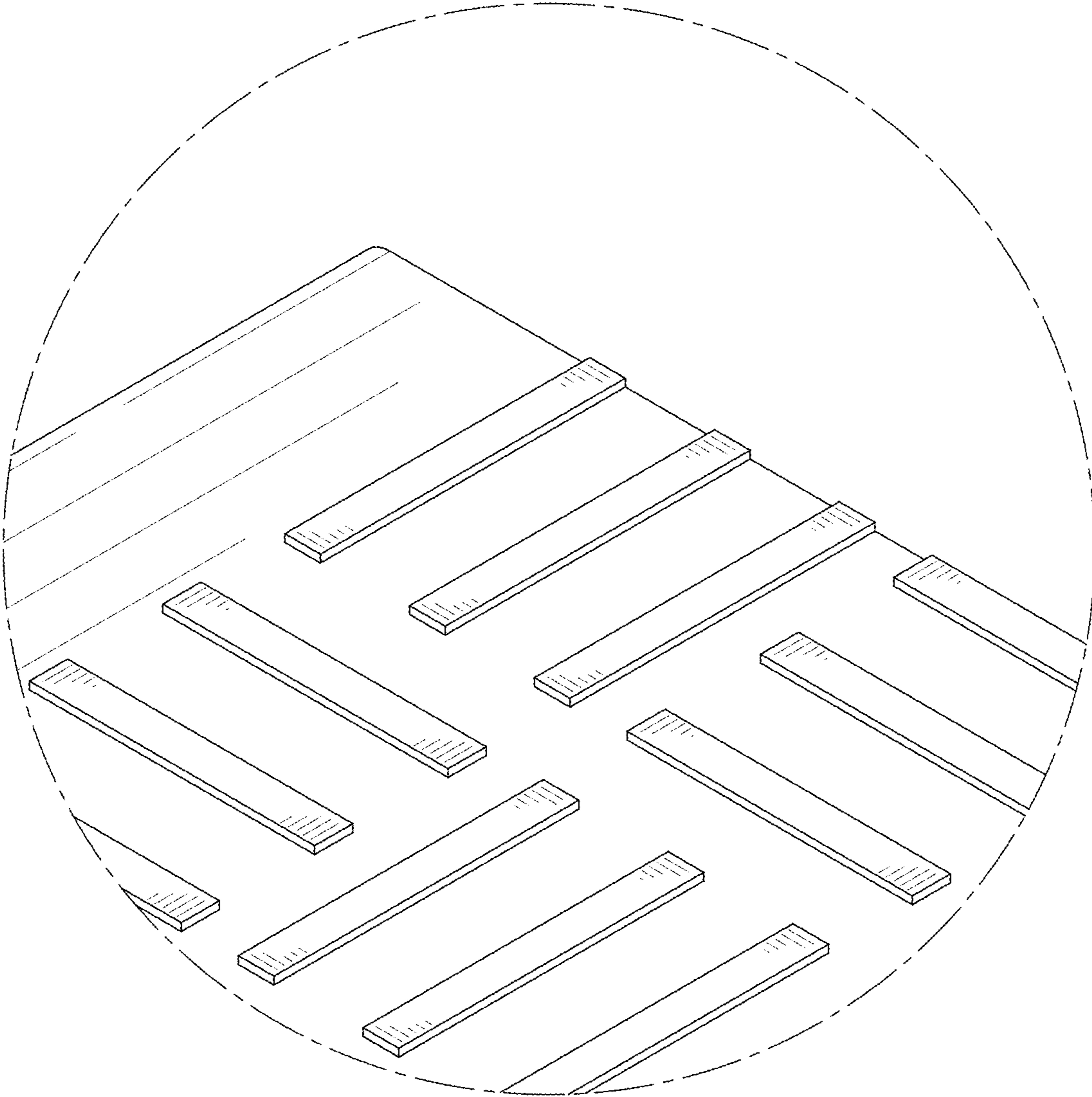


FIG. 9

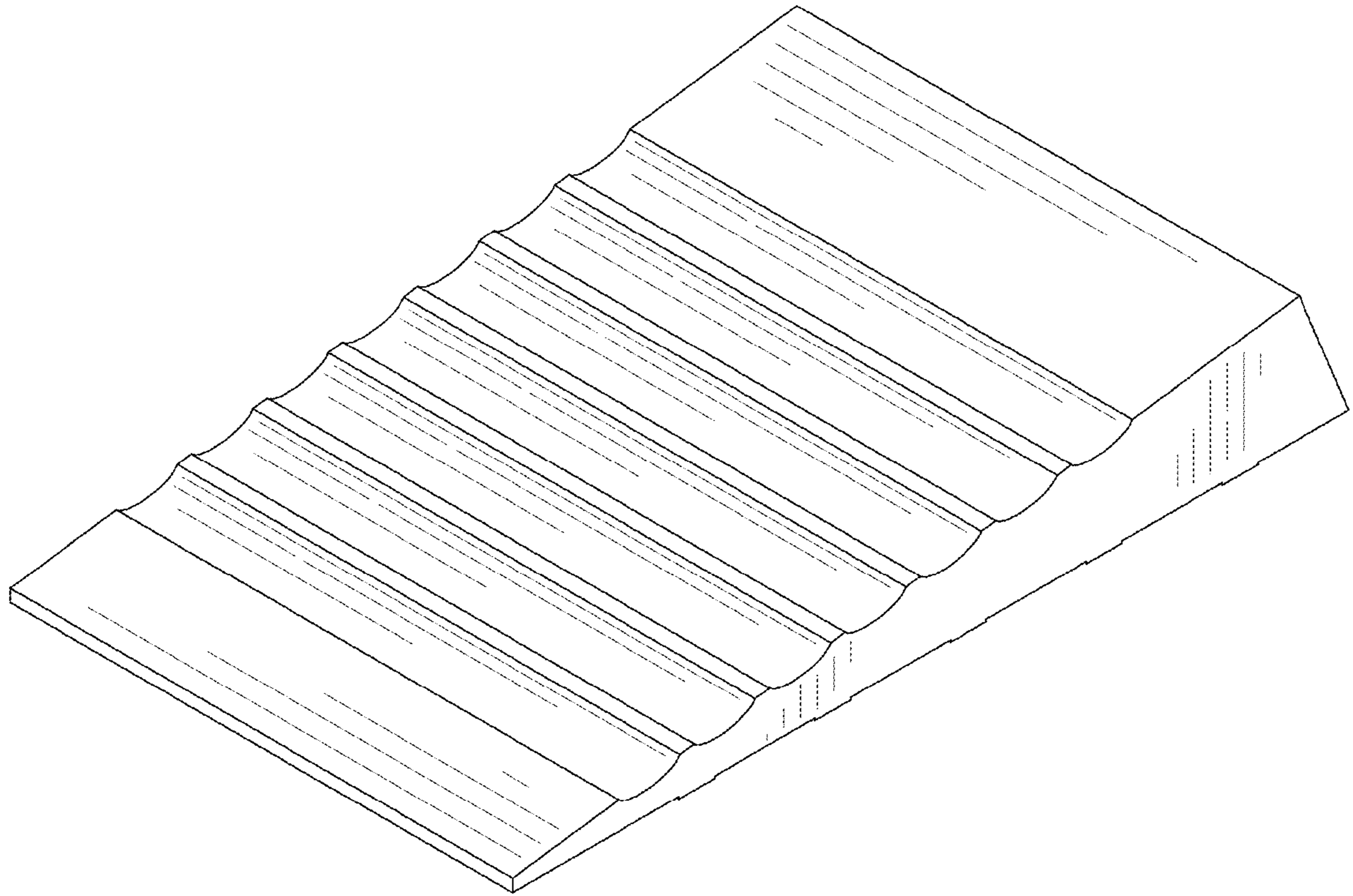


FIG. 10

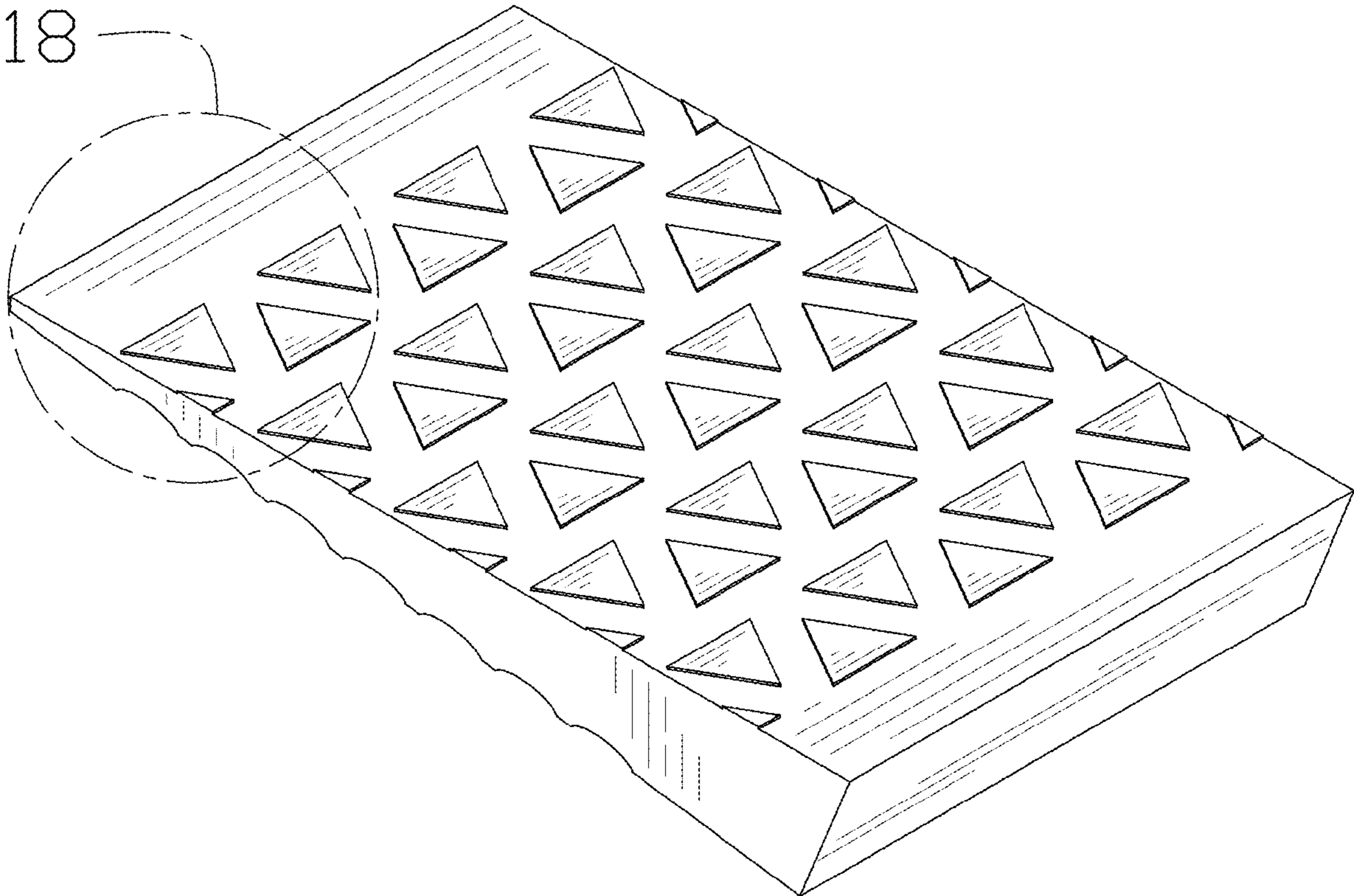


FIG. 11

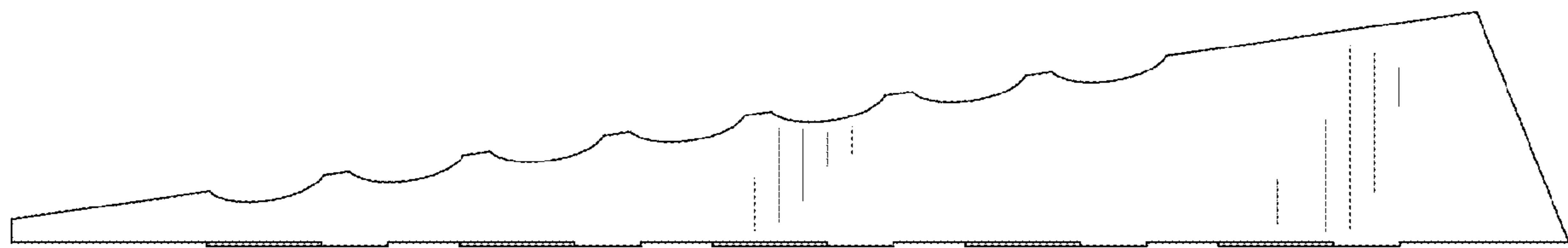


FIG. 12

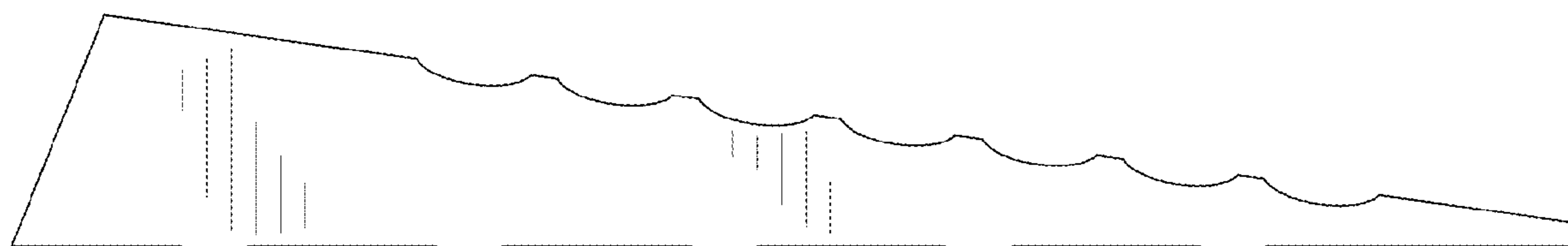


FIG. 13

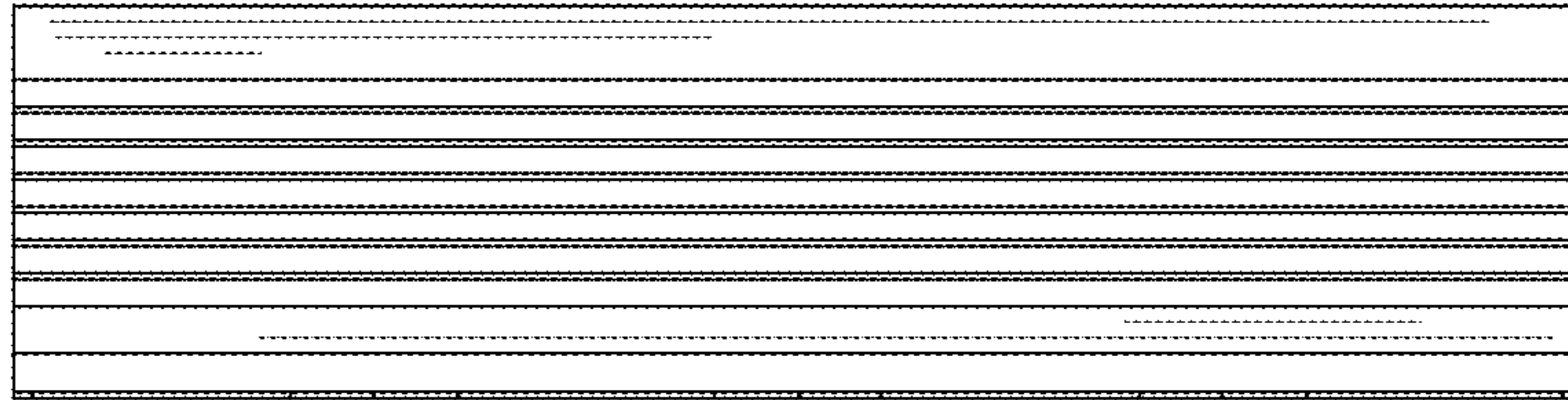


FIG. 14

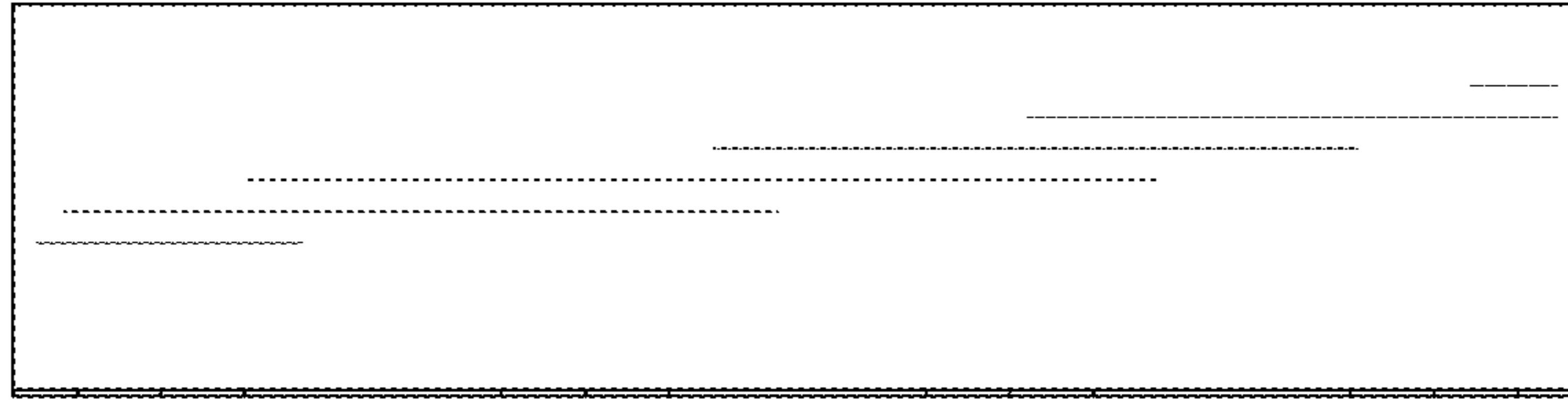


FIG. 15

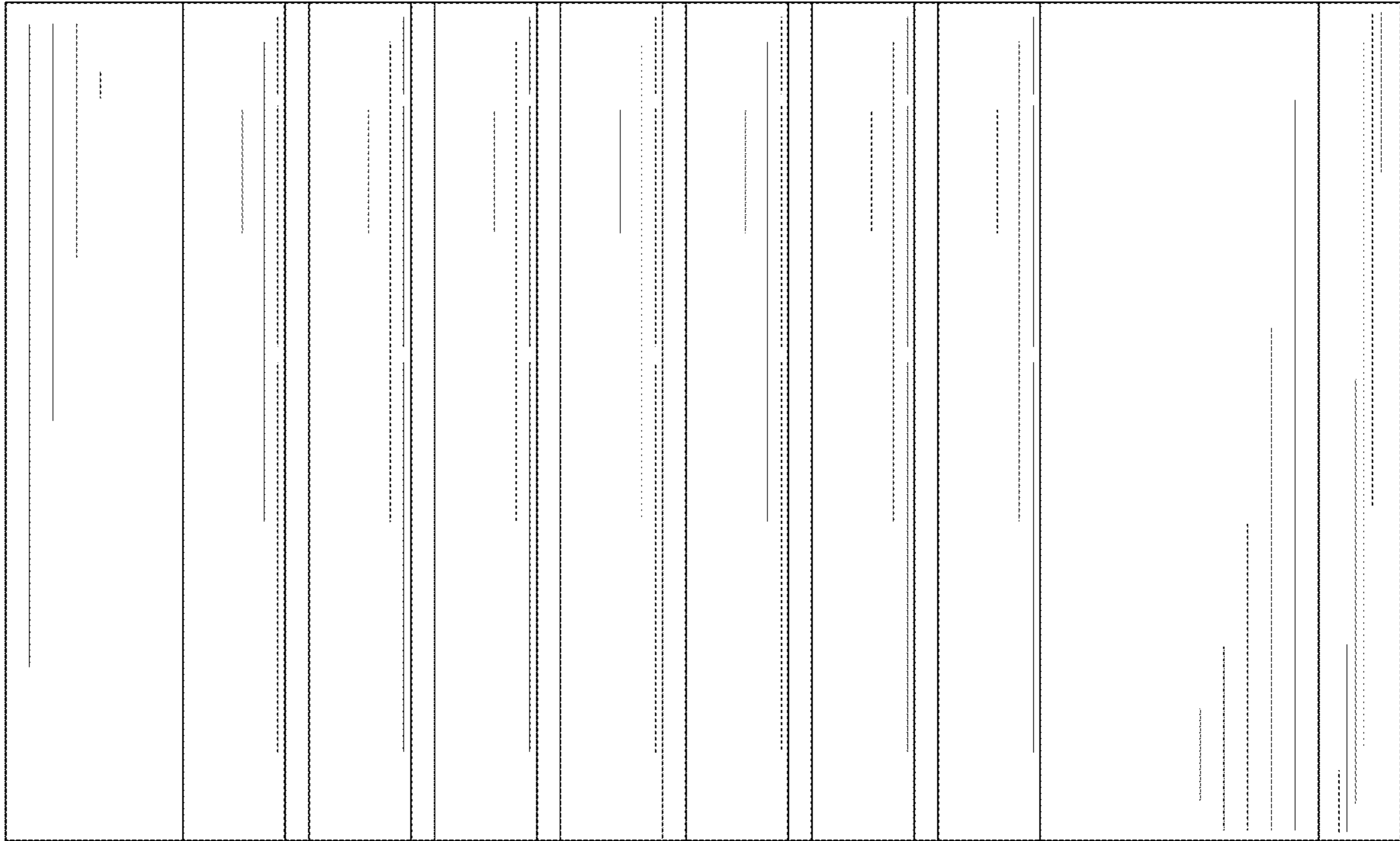


FIG. 16

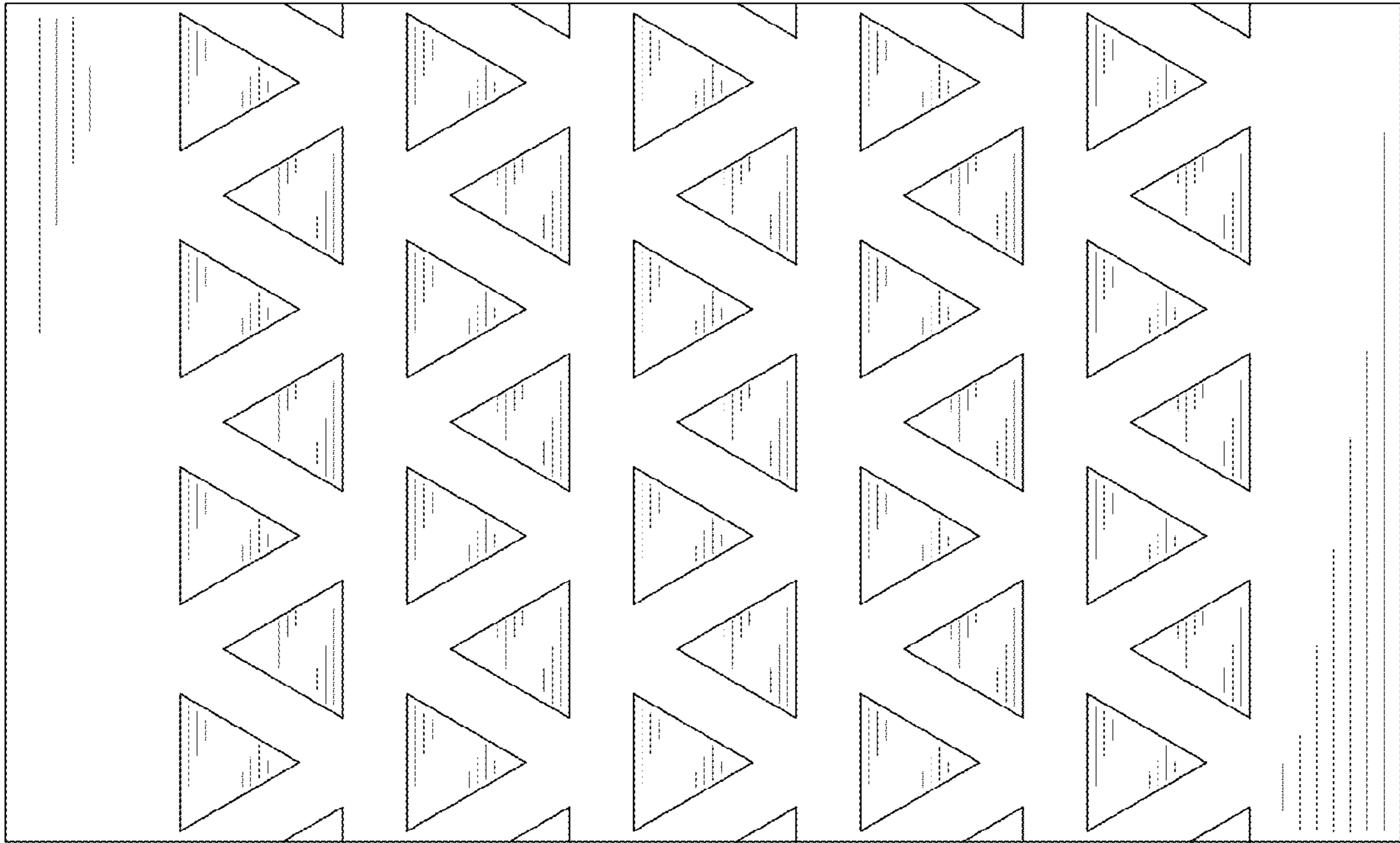


FIG. 17

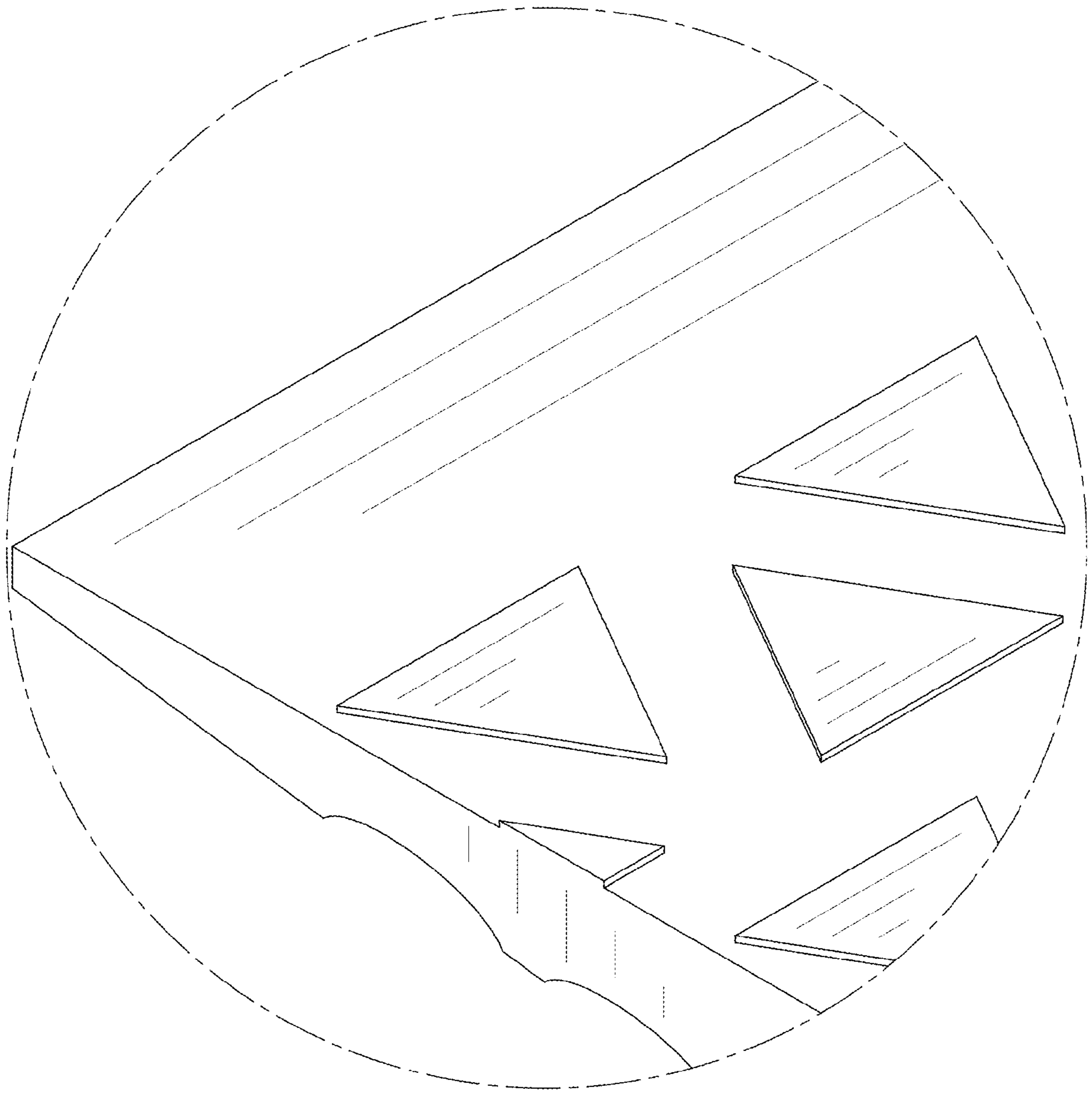


FIG. 18

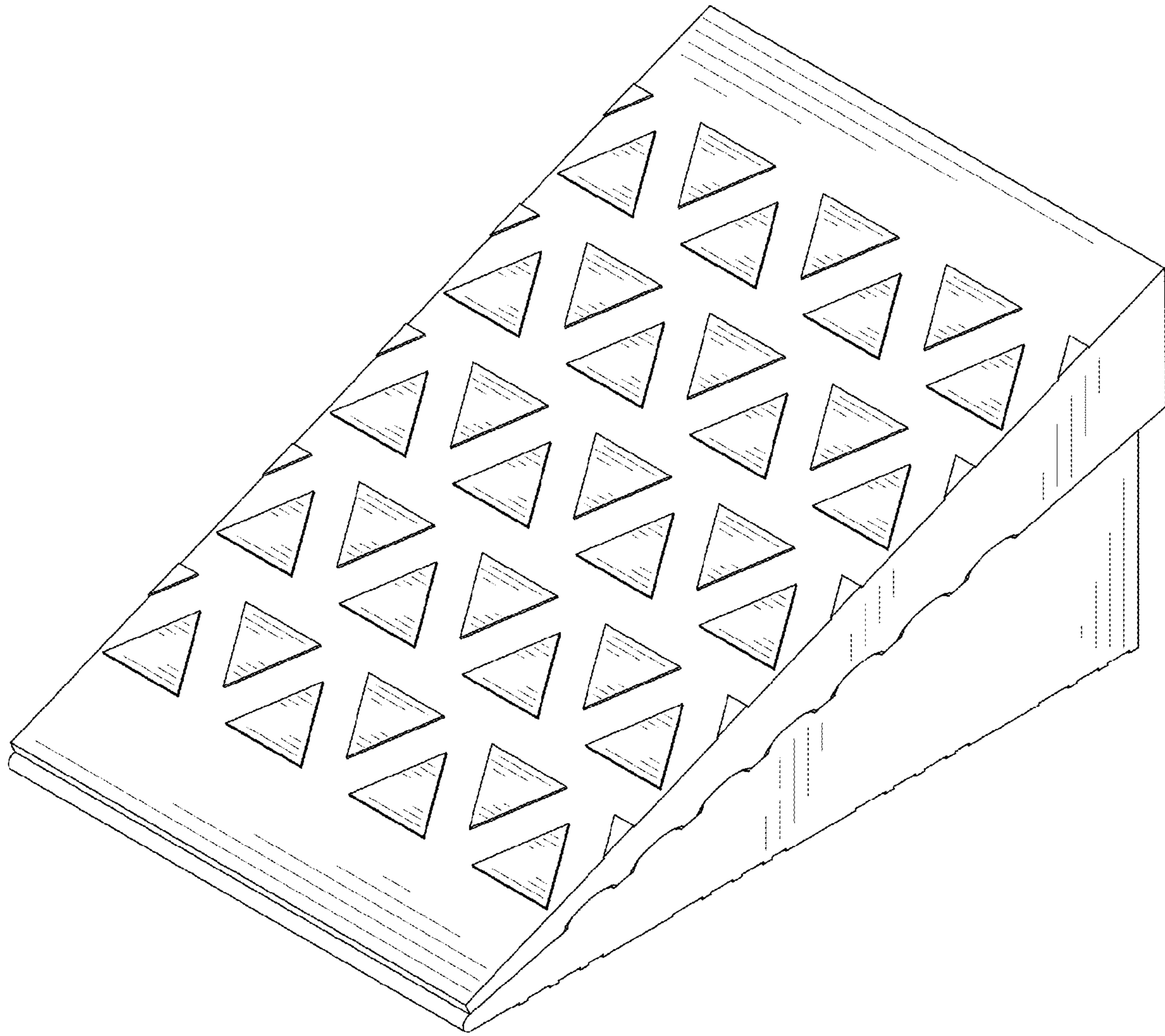


FIG. 19