

US00D944905S

(12) **United States Design Patent**
Wang

(10) **Patent No.:** **US D944,905 S**
(45) **Date of Patent:** **** Mar. 1, 2022**

(54) **BENCH**

(71) Applicant: **ALL MARKET UNITED STATES LIMITED**, Newark, DE (US)

(72) Inventor: **Yunjia Wang**, Shanghai (CN)

(73) Assignee: **ALL MARKET UNITED STATES LIMITED**, Newark, DE (US)

(**) Term: **15 Years**

(21) Appl. No.: **29/737,050**

(22) Filed: **Jun. 4, 2020**

(51) **LOC (13) Cl.** **21-02**

(52) **U.S. Cl.**
USPC **D21/690**

(58) **Field of Classification Search**
USPC D21/687, 690, 662; D6/334, 342, 349, D6/352, 353, 354, 373, 377, 652.2, 653, D6/653.1, 657, 659, 668, 668.2, 671.1, D6/675, 684, 705.1
CPC A47C 11/00; A47C 3/18; A47C 7/628; A47C 15/004; A47C 31/113; A47C 3/40; A47C 7/006; A47C 7/748; A47C 11/005; A47C 13/00; A47C 16/04; A47C 17/165; A47C 17/38; A47C 17/52; A47C 17/58; A47C 19/22; A47C 1/032; A47C 1/03294; A47C 1/034; A47C 1/035; A47C 1/14; A47C 1/143; A47C 21/003; A47C 31/007; A47C 3/36; A47C 4/04; A47C 4/12; A47C 4/28; A47C 7/002; A47C 7/02; A47C 7/028; A47C 7/38; A47C 7/50; A47C 7/5062; A47C 7/541; A47C 7/566; A47C 7/622; A47C 7/624; A47C 7/626; A47C 7/664; A47C 7/68; A47C 7/705; A47C 7/725; A47C 7/727; A47C 7/742; A47C 7/744; A47C 9/002; A47C 9/10; A47B 39/00; A47B 3/14; A47B 83/024; A47B 2220/07; A47B 13/10; A47B 2003/145; A47B 2021/068; A47B 21/06; A47B 2200/0035; A47B 2200/004; A47B 2200/005; A47B 39/06; A47B

3/02; A47B 3/08; A47B 3/10; A47B 83/008; A47B 85/04; A47B 85/06; A63B 21/4029; A63B 2225/09; A63B 21/078; A63B 2210/50; A63B 71/0036; A63B 2225/093; A63B

(Continued)

(56) **References Cited**

U.S. PATENT DOCUMENTS

D277,219 S * 1/1985 Johnson D21/690
D406,290 S * 3/1999 McBride D21/690

(Continued)

OTHER PUBLICATIONS

Soges dumbbell, announced 2018 [online]. [site visited Aug. 7, 2021]. Available on internet, URL: https://www.amazon.com/soges-Dumbbell-Adjustable-Exercise-Multi-Functional/dp/B07J5FR5VC/ref=sr_1_105?dchild=1&keywords=exercise+bench&qid=1628274122&sr=8-105 (Year: 2018).*

(Continued)

Primary Examiner — Khawaja Anwar
Assistant Examiner — Julice Seung Eun Oum

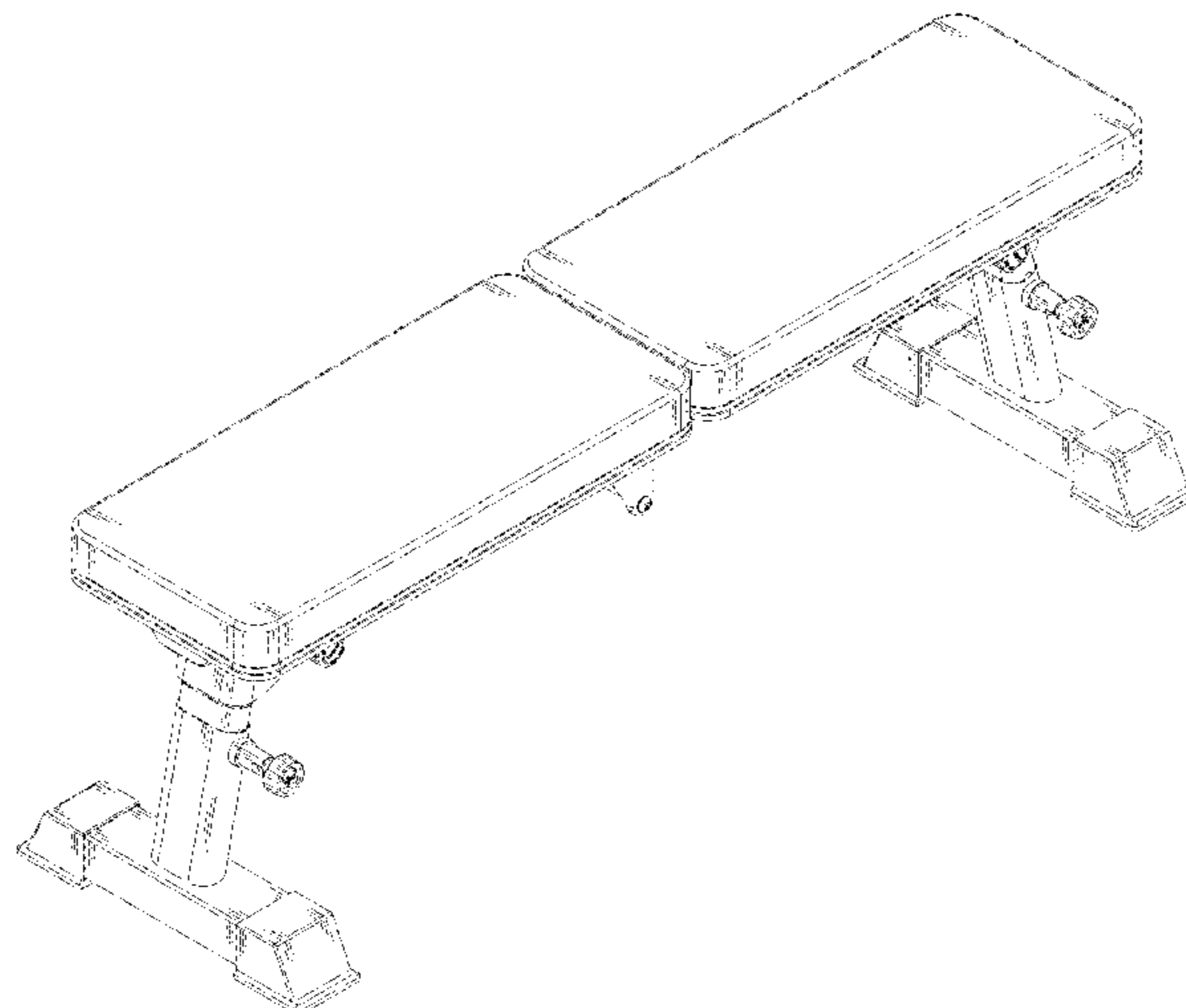
(57) **CLAIM**

The ornamental design for a bench, as shown and described.

DESCRIPTION

FIG. 1 is a perspective view of the bench showing my new design;
FIG. 2 is a front elevational view thereof;
FIG. 3 is a rear elevational view thereof;
FIG. 4 is a left side elevational view thereof;
FIG. 5 is a right side elevational view thereof;
FIG. 6 is a top plan view thereof; and,
FIG. 7 is a bottom plan view thereof.
The broken lines illustrate portions of the bench that form no part of the claimed design.

1 Claim, 7 Drawing Sheets



(58) **Field of Classification Search**

CPC .. 2071/025; A63B 2208/0233; A63B 21/0726;
 A63B 23/0211; A63B 2023/006; A63B
 21/00047; A63B 21/0442; A63B 21/4039;
 A63B 21/4047; A63B 2208/0242; A63B
 2208/0252; A63B 2210/00; A63B 47/00;
 A63B 2022/0652; A63B 21/0552; A63B
 21/4033; A63B 21/4034; A63B 21/4035;
 A63B 2208/0204; A63B 2209/00; A63B
 2220/17; A63B 2220/80; A63B 2225/682;
 A63B 23/0216; A63B 23/0233; A63B
 23/03541; A63B 23/0405; A63B 23/1218;
 A63B 71/0619; A63B 71/0622; A63B
 1/00; A63B 2022/0641; A63B 2023/003;
 A63B 2069/0062; A63B 2071/0655;
 A63B 21/00061; A63B 21/00065; A63B
 21/00069; A63B 21/000178; A63B
 21/0023; A63B 21/0058; A63B 21/015;
 A63B 21/055; A63B 21/0557; A63B
 21/06; A63B 21/0628; A63B 21/072;
 A63B 21/0724; A63B 21/151; A63B
 21/156; A63B 21/225; A63B 21/4015;
 A63B 21/4043; A63B 21/4045; A63B
 21/4049; A63B 2208/0214; A63B
 2208/0247; A63B 2208/0285; A63B
 2208/0295; A63B 2209/10; A63B
 2210/06; A63B 2220/51; A63B 2220/802;
 A63B 2220/833; A63B 2225/105; A63B
 2225/20; A63B 2225/30; A63B 2225/50;
 A63B 2225/685; A63B 22/0002; A63B
 22/0005; A63B 22/0007; A63B 22/0012;
 A63B 22/0056; A63B 22/0605; A63B
 22/16; A63B 22/203; A63B 23/00; A63B
 23/02; A63B 23/0222; A63B 23/0227;
 A63B 23/03558; A63B 23/0417; A63B
 23/0458; A63B 23/0482; A63B 23/1209;
 A63B 23/1227; A63B 24/0003; A63B
 26/00; A63B 26/003; A63B 63/00; A63B
 69/0057; A63B 71/00; A63B 71/06;

B25H 1/04; B25H 1/16; B25H 1/005;
 B25H 1/06; B25H 1/12; B25H 1/14;
 B25H 3/02; B25H 5/00; A47G 29/20;
 A47G 29/141; A47G 23/0225; A47G
 9/0223; B65D 21/0204; B65D 25/04;
 B65D 43/16

See application file for complete search history.

(56)

References Cited

U.S. PATENT DOCUMENTS

D425,153	S *	5/2000	Grider	D21/676
6,287,243	B1 *	9/2001	Isom	A63B 21/078 482/104
D455,803	S *	4/2002	Webber	D21/686
6,605,023	B1 *	8/2003	Mobley	A63B 21/078 482/142
7,331,912	B2 *	2/2008	Keiser	A63B 21/4029 482/142
9,707,438	B2 *	7/2017	Vorozilchak	A63B 21/0724
D806,809	S *	1/2018	Orellana	D21/687
D820,362	S *	6/2018	Citterio	D21/687
D907,144	S *	1/2021	Zhao	D21/690
D927,614	S *	8/2021	Behar	D21/690
D933,762	S *	10/2021	Wang	D21/687
2006/0035772	A1 *	2/2006	Golesh	A63B 21/4031 482/142
2016/0114204	A1 *	4/2016	Swanson	A63B 21/4029 482/142
2017/0259109	A1 *	9/2017	McJames, II	A63B 21/4033
2019/0151699	A1 *	5/2019	Isom	A63B 21/00047

OTHER PUBLICATIONS

Bang tong li flat weight, announced 2018 [online], [site visited Aug. 7, 2021]. Available on internet, URL:https://www.amazon.com/BangTong-Li-Flat-Weight-Bench/dp/B07HF3772K/ref=sr_1_37?dchild=1&keywords=exercise+bench&qid=1628274056&sr=8-37 (Year: 2018).*

* cited by examiner

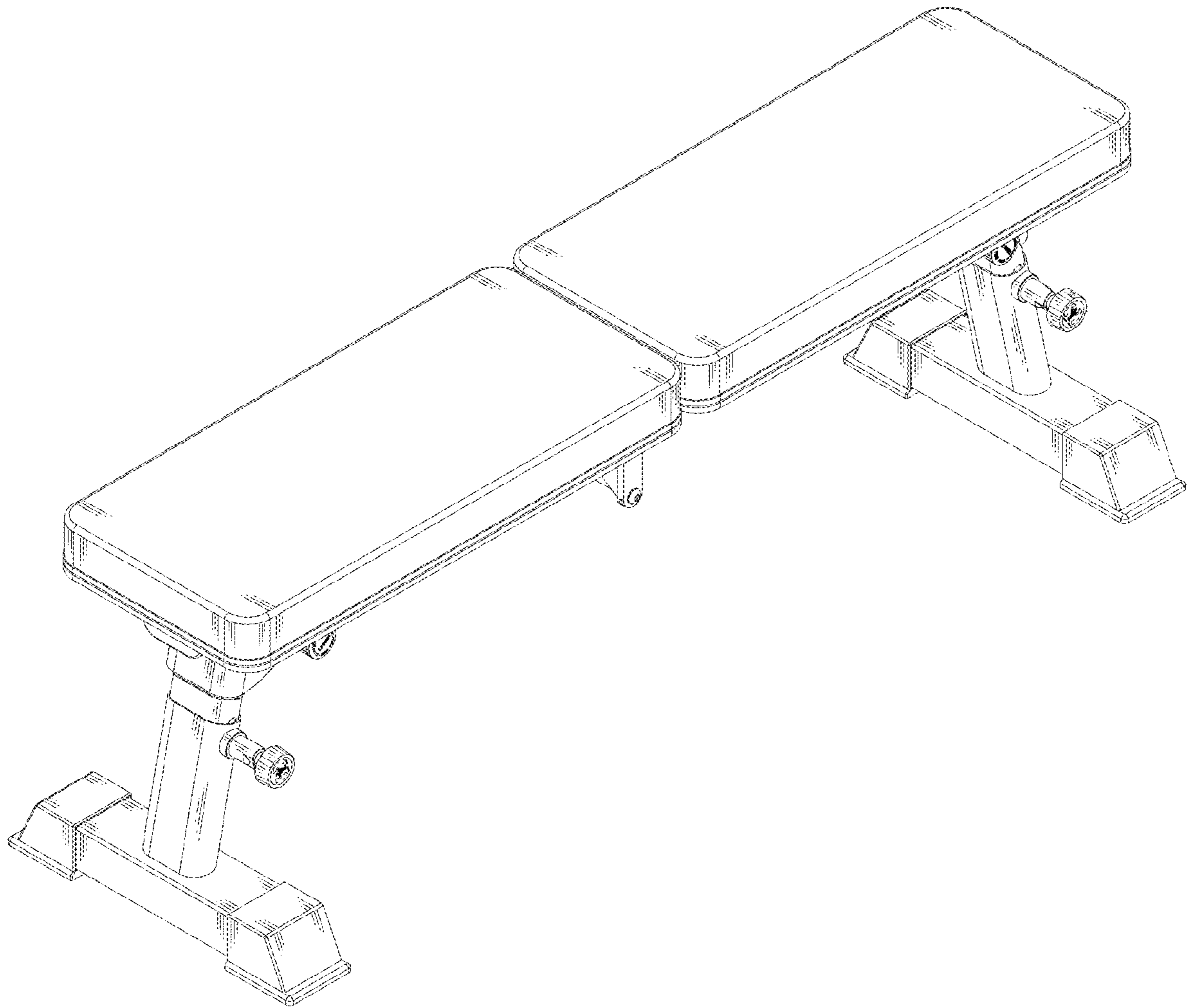


FIG. 1

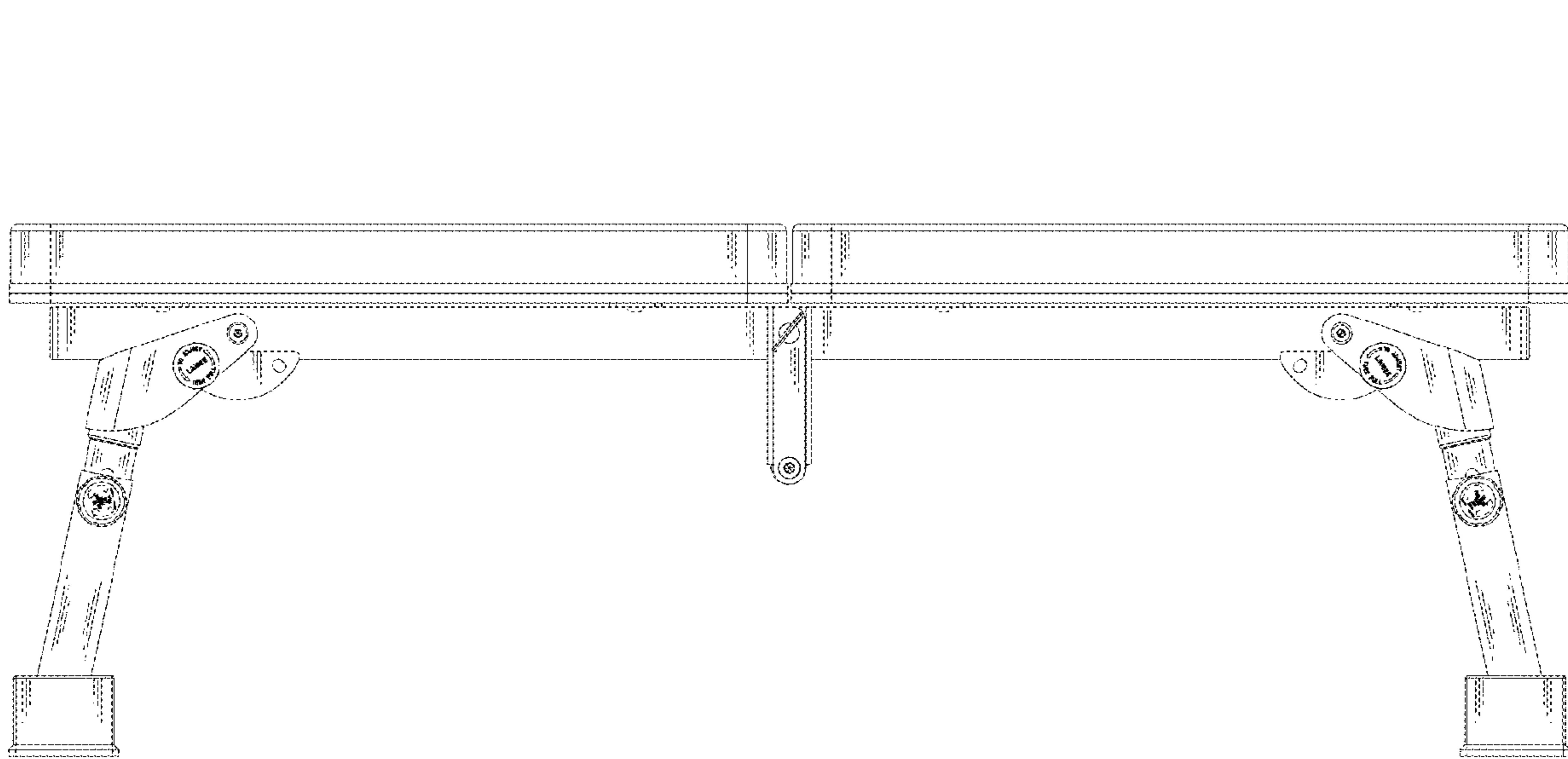


FIG. 2

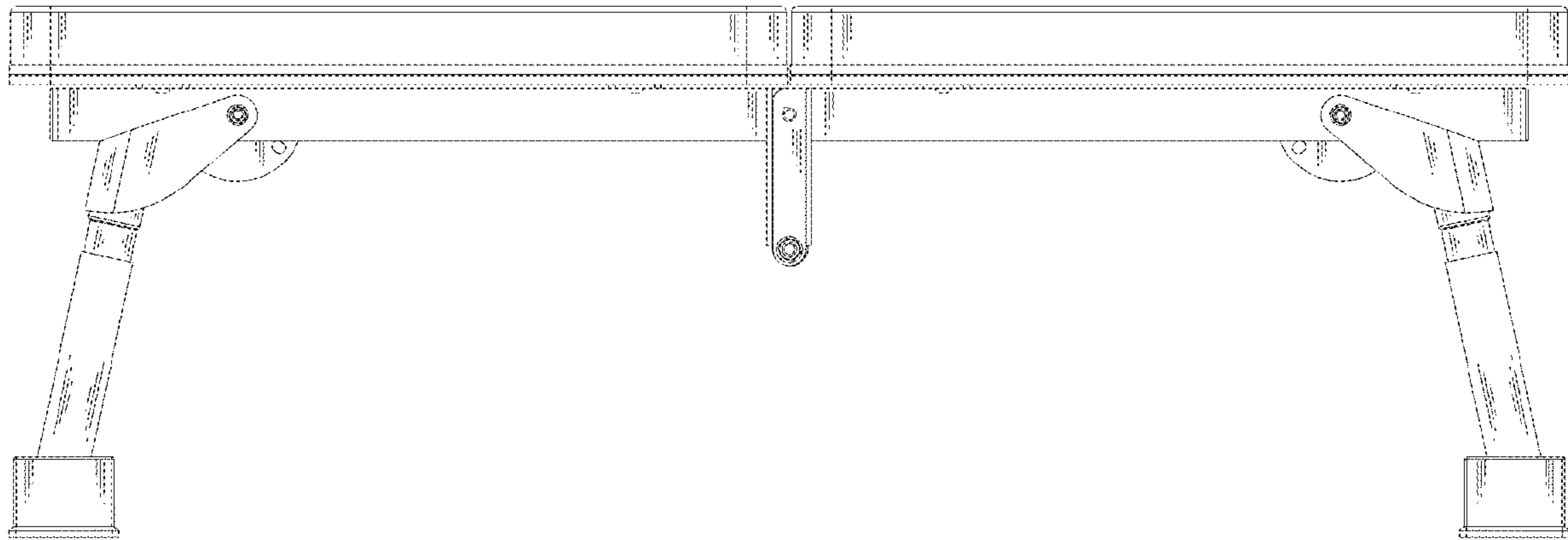


FIG. 3

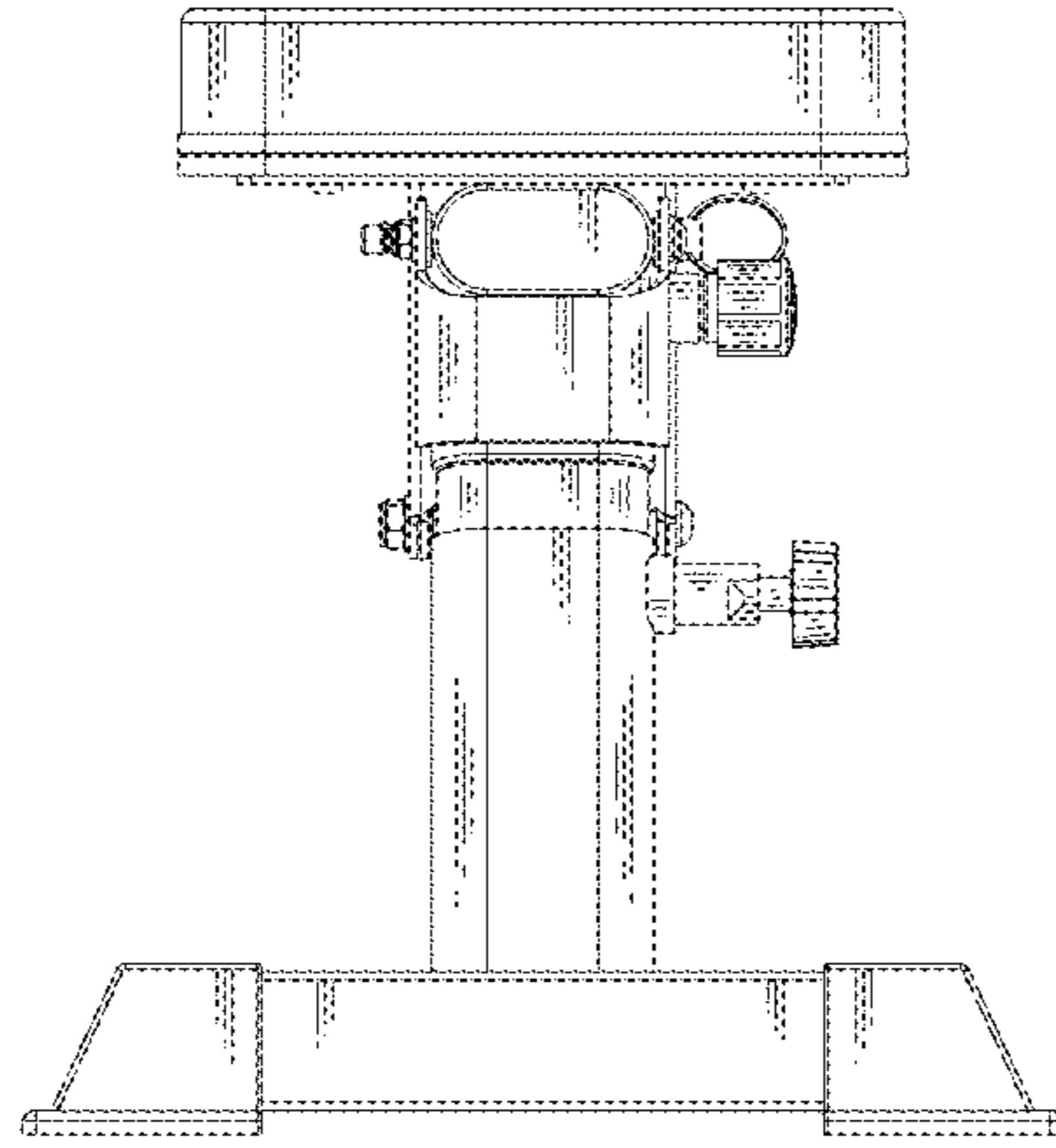


FIG. 4

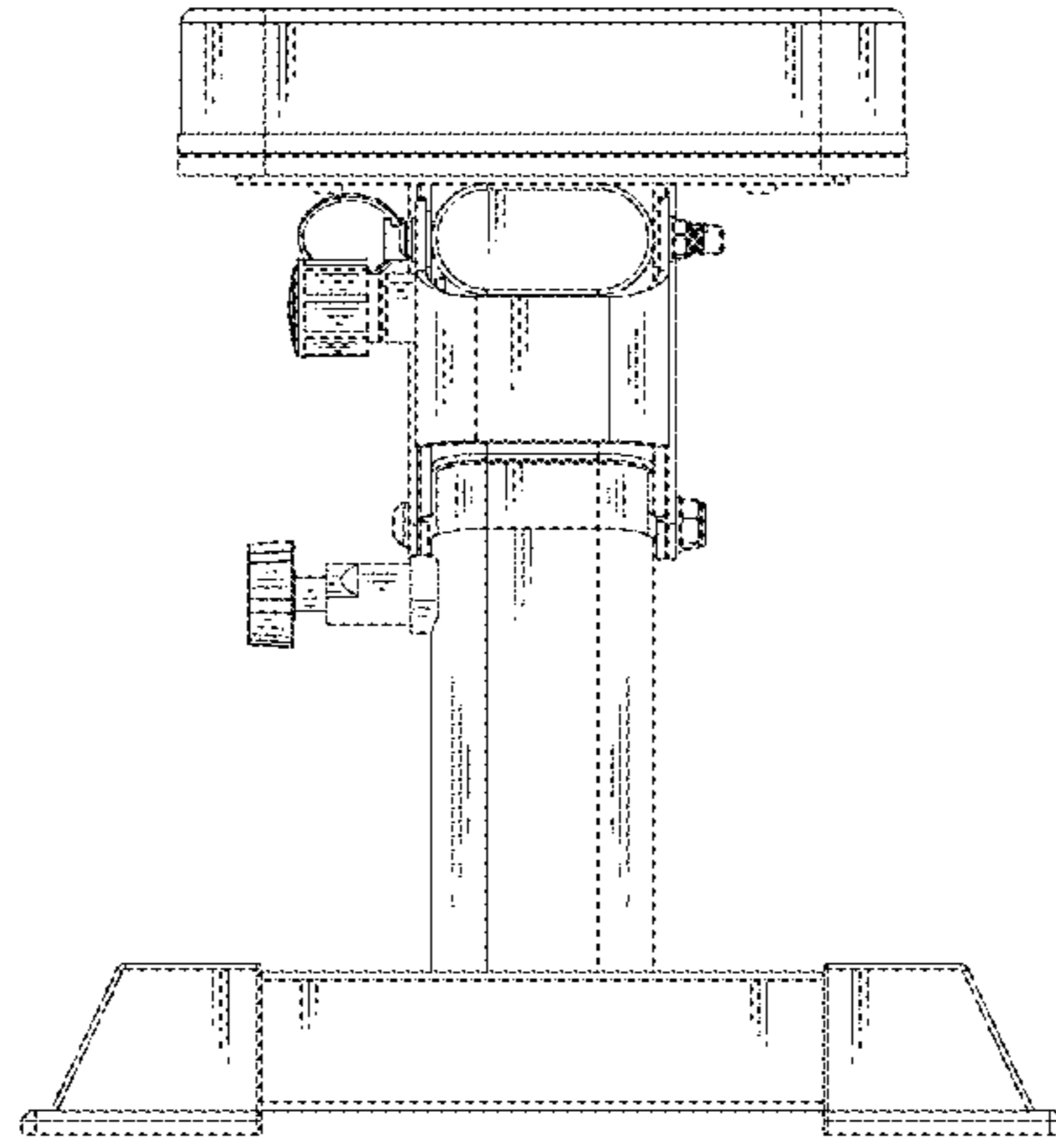


FIG. 5

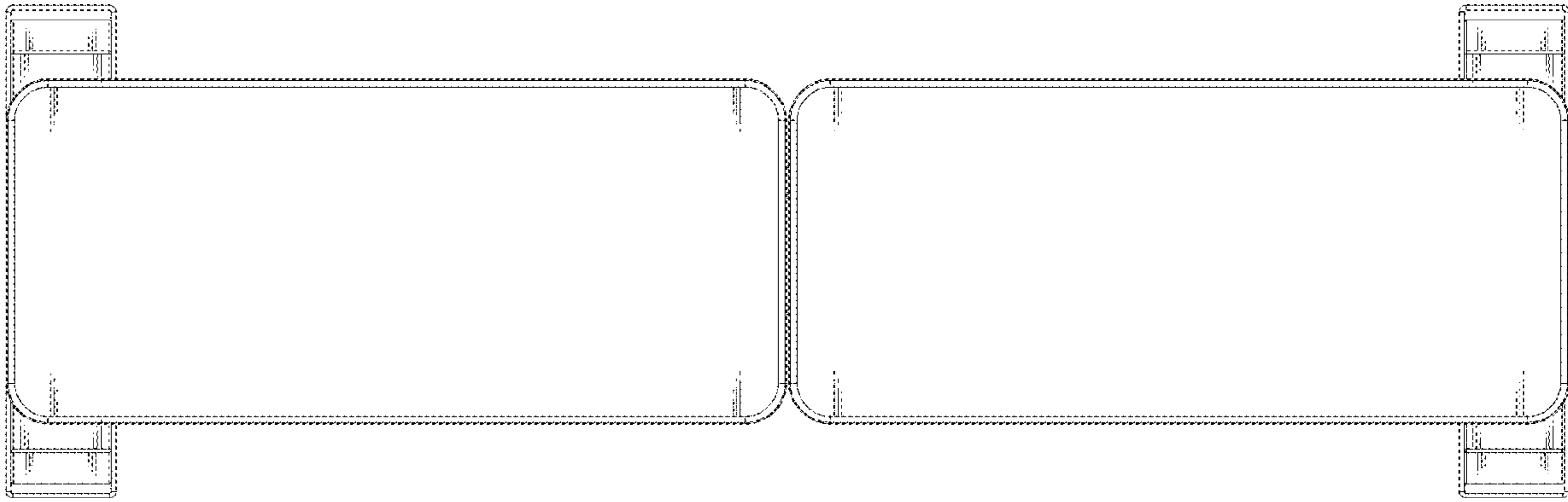


FIG. 6

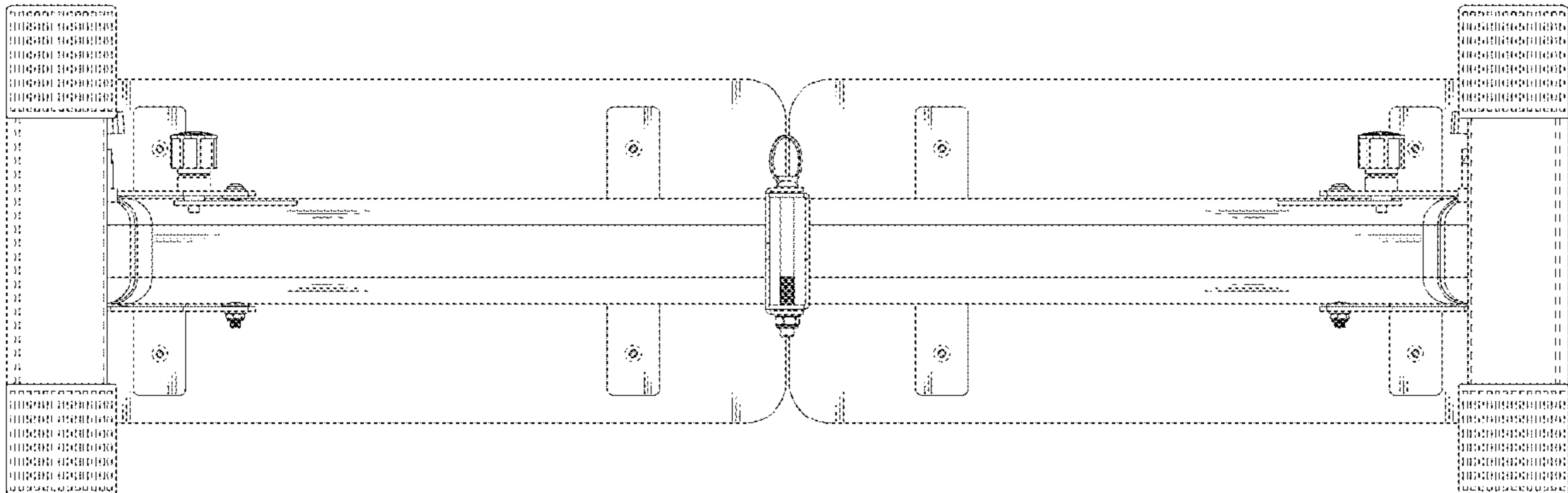


FIG. 7