



US00D944903S

(12) **United States Design Patent** (10) **Patent No.:** **US D944,903 S**
Jones (45) **Date of Patent:** **** Mar. 1, 2022**

(54) **PLYOMETRIC BOX**
(71) Applicant: **Coulter Ventures, LLC.**, Columbus, OH (US)
(72) Inventor: **Dylan Jones**, Santa Barbara, CA (US)
(73) Assignee: **Coulter Ventures, LLC.**, Columbus, OH (US)

4,950,033 A 8/1990 Anderson
5,176,596 A 1/1993 Ullman
D335,966 S 6/1993 Schwartzkopf et al.
D337,211 S 7/1993 Bergkvist
5,226,865 A 7/1993 Chin
D339,179 S 9/1993 Wilkinson
D343,960 S 2/1994 Leduc
5,290,210 A 3/1994 Hand et al.
D346,630 S 5/1994 Van Der Hoeven
(Continued)

(**) Term: **15 Years**
(21) Appl. No.: **29/743,211**
(22) Filed: **Jul. 20, 2020**

OTHER PUBLICATIONS

Resin by Rogue dated Dec. 10, 2018. Found online [Dec. 10, 2020] <https://www.roguefitness.com/rogue-resin-plyobox?bvstate=pg:3/ct:r> (Year: 2018).*

(Continued)

Related U.S. Application Data

(63) Continuation of application No. 29/680,387, filed on Feb. 15, 2019, now Pat. No. Des. 890,869.

Primary Examiner — Ryan Harvey

(74) *Attorney, Agent, or Firm* — Banner & Witcoff, Ltd.

(51) **LOC (13) Cl.** **21-02**

(57) **CLAIM**

(52) **U.S. Cl.**

The ornamental design for a plyometric box, as shown and described.

USPC **D21/671**

(58) **Field of Classification Search**

DESCRIPTION

USPC D21/662, 671, 686; D6/684, 675, 353, D6/349, 350; D25/65; D24/188; 482/146, 142, 141, 131, 130, 124, 123, 482/121

FIG. 1 is a top, front, right perspective view of a plyometric box showing my new design;
FIG. 2 is a bottom, front, right perspective view thereof;
FIG. 3 is a front view thereof;
FIG. 4 is a right side view thereof;
FIG. 5 is a rear view thereof;
FIG. 6 is a left side view thereof;
FIG. 7 is a top view thereof; and,
FIG. 8 is a bottom view thereof.

CPC A63B 23/1236; A63B 21/00047; A63B 21/4035; A63B 23/12; A63B 2210/50; A63B 22/14; A63B 21/0442; A63B 21/0552; A63B 21/0557; A63B 23/0458; A63B 2071/027; A47C 12/00

See application file for complete search history.

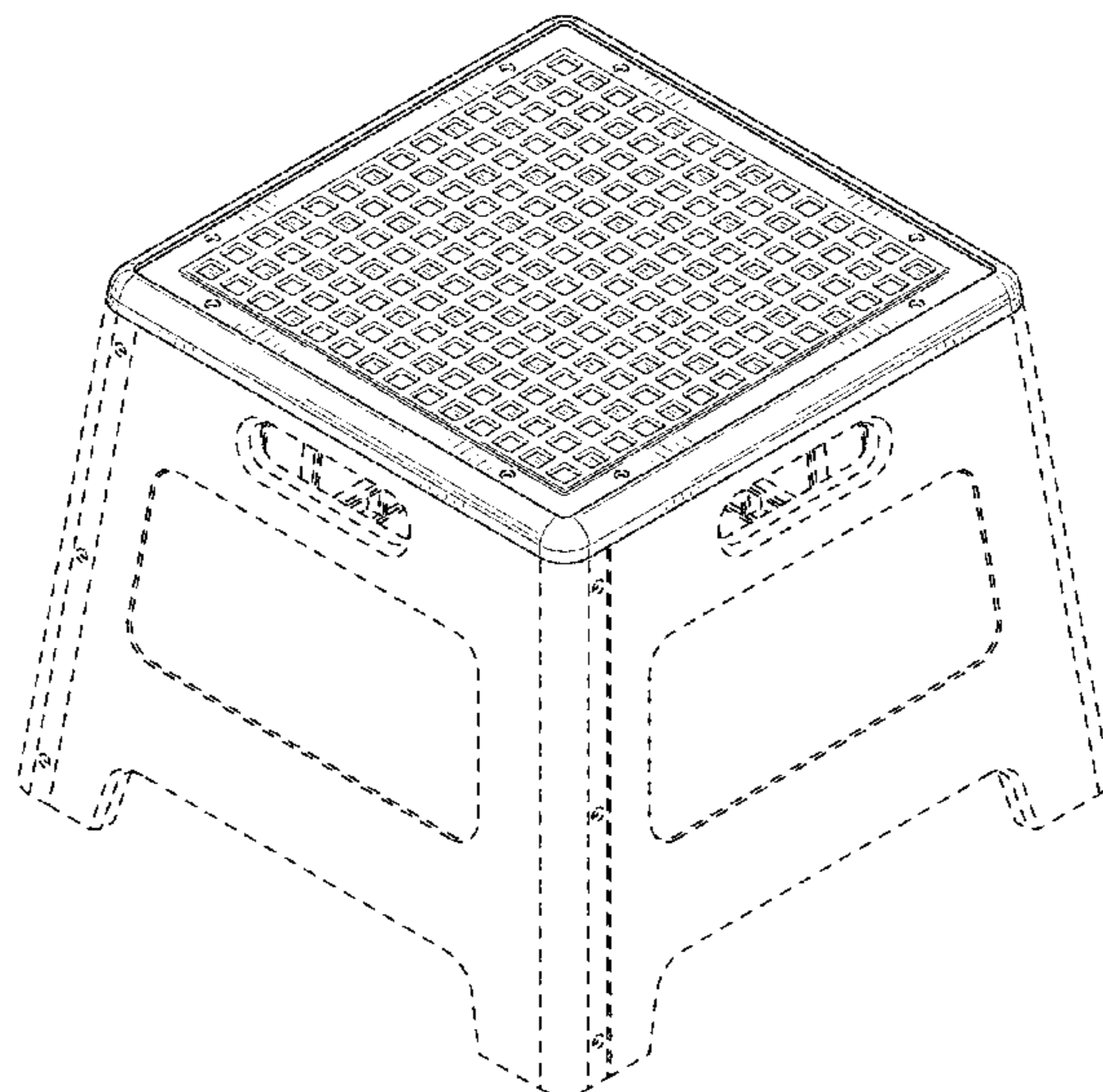
The broken lines immediately adjacent to the shaded area define the bounds of the claimed design and form no part thereof. The broken lines depicting the remainder of the plyometric box show features that form no part of the claimed design.

(56) **References Cited**

U.S. PATENT DOCUMENTS

1 Claim, 8 Drawing Sheets

1,095,945 A 5/1914 Tellander
D123,472 S * 11/1940 Caldwell D7/388
D157,319 S * 2/1950 Bair D6/349
D271,256 S 11/1983 McClelland
4,630,861 A 12/1986 Henschel



(56)

References Cited

U.S. PATENT DOCUMENTS

D346,704 S 5/1994 Grosfillex
 D347,666 S 6/1994 Hand
 D349,540 S 8/1994 Hand et al.
 D355,988 S 3/1995 Brooking
 D360,767 S * 8/1995 Fish D21/671
 D370,949 S 6/1996 Furner
 5,749,555 A 5/1998 Albrecht
 5,855,536 A 1/1999 Wilkinson
 D408,555 S 4/1999 Albrecht
 D449,357 S 10/2001 Monter Villar et al.
 D449,662 S 10/2001 Monter Villar et al.
 D460,566 S 7/2002 Henschel et al.
 6,886,660 B2 5/2005 Sapatova
 D553,370 S 10/2007 Meyers et al.
 D557,910 S 12/2007 Saunders et al.
 D558,473 S 1/2008 Mendenhall
 D566,856 S 4/2008 Eveleth
 D566,977 S 4/2008 Emge
 D571,608 S * 6/2008 Yeung D7/388
 D579,680 S 11/2008 Emert
 D581,726 S * 12/2008 Shamoon D7/387
 D582,168 S 12/2008 Sandel
 D586,923 S 2/2009 Eveleth
 D589,630 S 3/2009 Henson et al.
 7,591,763 B1 * 9/2009 Fucci A63B 21/0552
 482/121
 D609,927 S 2/2010 Floer
 D615,667 S 5/2010 Dunn et al.
 D632,101 S 2/2011 Sandel et al.
 D639,080 S 6/2011 van der Lande
 D650,184 S 12/2011 Hsu
 D667,681 S * 9/2012 Carsten D7/359
 D668,070 S 10/2012 Kim
 8,414,414 B2 4/2013 Viramontez
 D681,750 S 5/2013 Meyer-Hayoz
 D682,634 S * 5/2013 Datavs D7/698
 D690,522 S 10/2013 Pontiff
 D707,975 S 7/2014 Habraken
 D710,031 S 7/2014 Simpson et al.
 D727,044 S 4/2015 Tu
 8,998,741 B2 4/2015 Viramontez
 D736,867 S 8/2015 Glickfield
 D736,869 S 8/2015 Harker
 D737,909 S * 9/2015 Kubitz D21/686
 D751,309 S 3/2016 Habraken
 D774,349 S * 12/2016 Zemel D7/354
 D779,860 S 2/2017 Siao
 D811,784 S 3/2018 Sartain
 D813,961 S 3/2018 Ness et al.
 D815,847 S 4/2018 Vincent
 D828,049 S 9/2018 Khubani

D831,134 S 10/2018 Hillson
 10,271,655 B1 4/2019 Gwen
 D859,017 S 9/2019 Baker
 D890,869 S * 7/2020 Jones D21/686
 D902,652 S * 11/2020 Seymour D7/409
 D902,653 S * 11/2020 Seymour D7/409
 D903,416 S * 12/2020 Seymour D7/409
 2004/0142802 A1 * 7/2004 Greenspan A61H 1/0237
 482/146
 2006/0287171 A1 * 12/2006 Gerstung A63B 69/0035
 482/123
 2008/0093167 A1 4/2008 Saunders et al.
 2008/0318743 A1 * 12/2008 Bizzell A63B 21/0004
 482/142
 2013/0023392 A1 * 1/2013 Glickfield A63B 23/0458
 482/142
 2014/0087930 A1 * 3/2014 Burns A63B 71/0036
 482/142
 2014/0131138 A1 5/2014 Simpson et al.
 2015/0083522 A1 3/2015 Chancler
 2017/0215594 A1 8/2017 Baker
 2018/0071575 A1 * 3/2018 Crass A63B 21/0601

OTHER PUBLICATIONS

Product listing for Rogue Wood Plyo Boxes, from <https://web.archive.org/web/20170708230654/https://www.roguefitness.com/rogue-wood-plyoboxes>, dated Jul. 8, 2017.
 Product listing for Rogue Games Box, from <https://web.archive.org/web/20170625162158/http://www.roguefitness.com/rogue-games-box>, dated Jun. 25, 2017.
 Product listing for Rogue Foam Games Box, from <https://web.archive.org/web/20170708224917/https://www.roguefitness.com/rogue-foam-games-box>, dated Jul. 8, 2017.
 Product listing for Rogue Flat Pack Games Box, from <https://web.archive.org/web/20170602020329/http://www.roguefitness.com/rogue-flat-pack-games-box>, dated Jun. 2, 2017.
 Product listing for Rogue Steel Plyo Boxes, from <https://web.archive.org/web/20170612212715/http://www.roguefitness.com/steel-plyoboxes>, dated Jun. 12, 2017.
 Product listing for Rogue Foam Plyo Boxes, from <https://web.archive.org/web/20170701065301/http://www.roguefitness.com:80/rogue-foam-plyoboxes>, dated Jul. 1, 2017.
 Anonymous: "Rogue Resin Plyo Box", Jan. 1, 2018 (Jan. 1, 2018), XP055771031, Retrieved from the Internet: URL: www.roguefitness.com/rogue-resin-plyobox?bvstate=pg:3/ct:r (retrieved on Feb. 2, 2021).

* cited by examiner

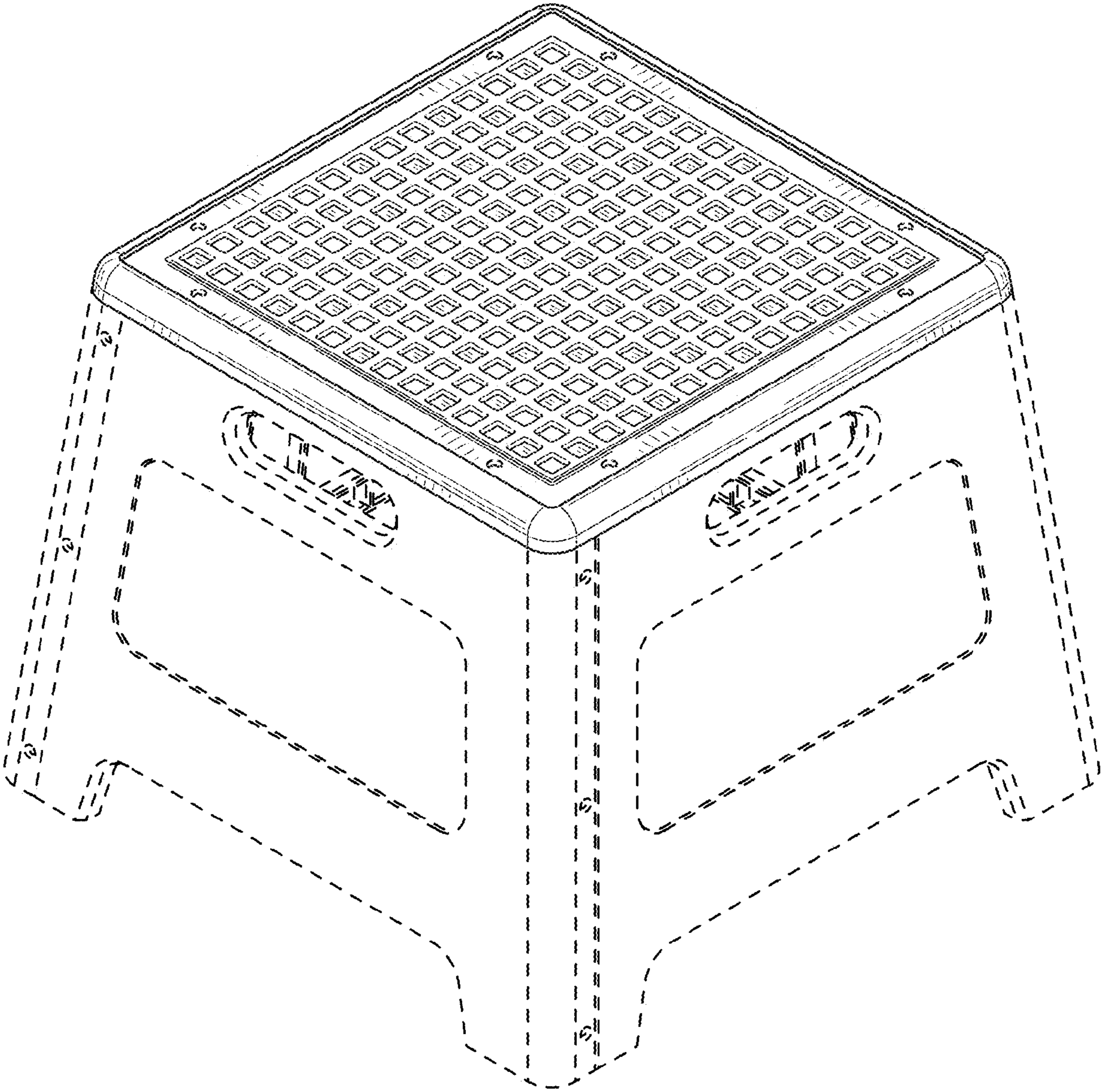


FIG. 1

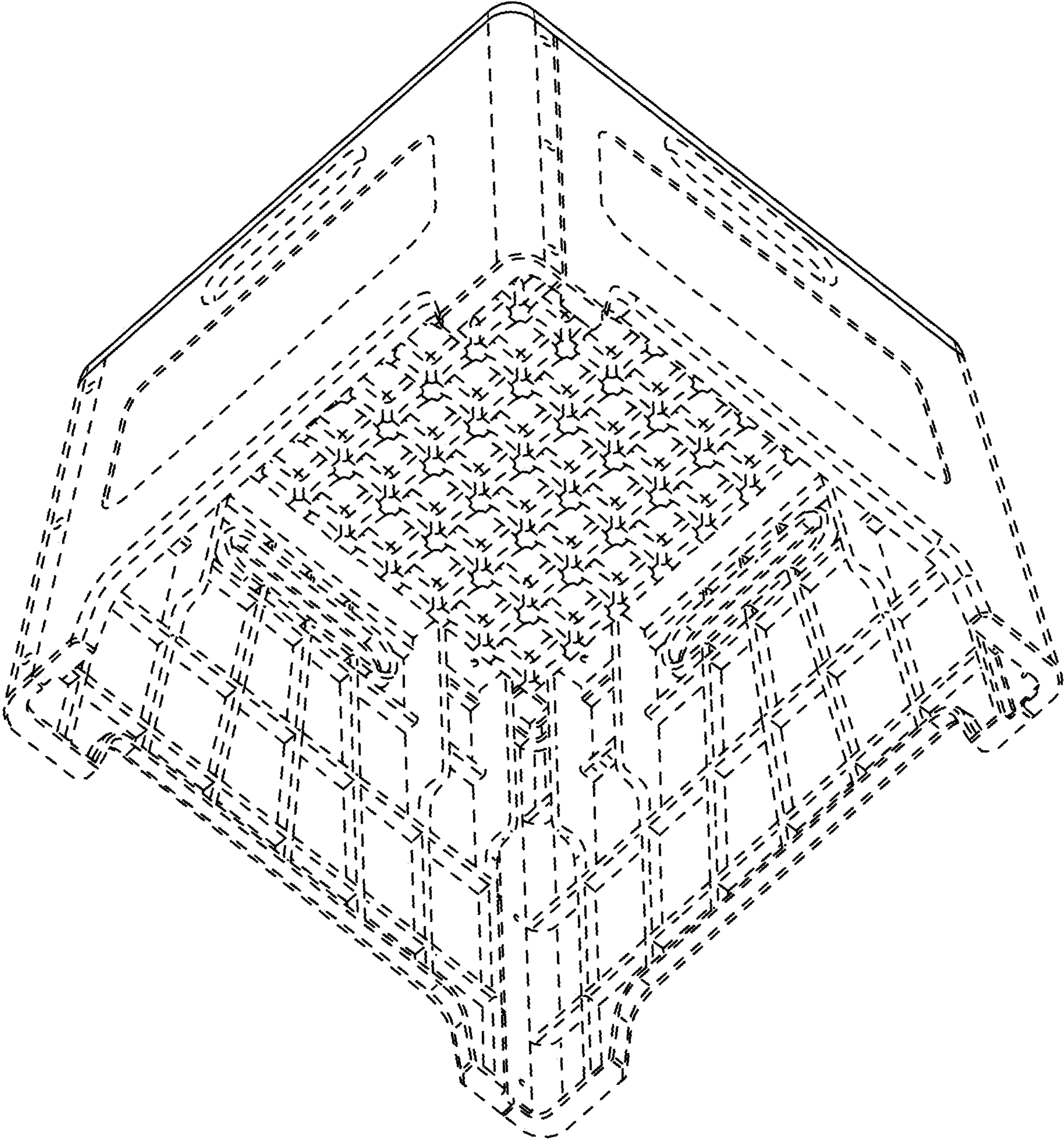


FIG. 2

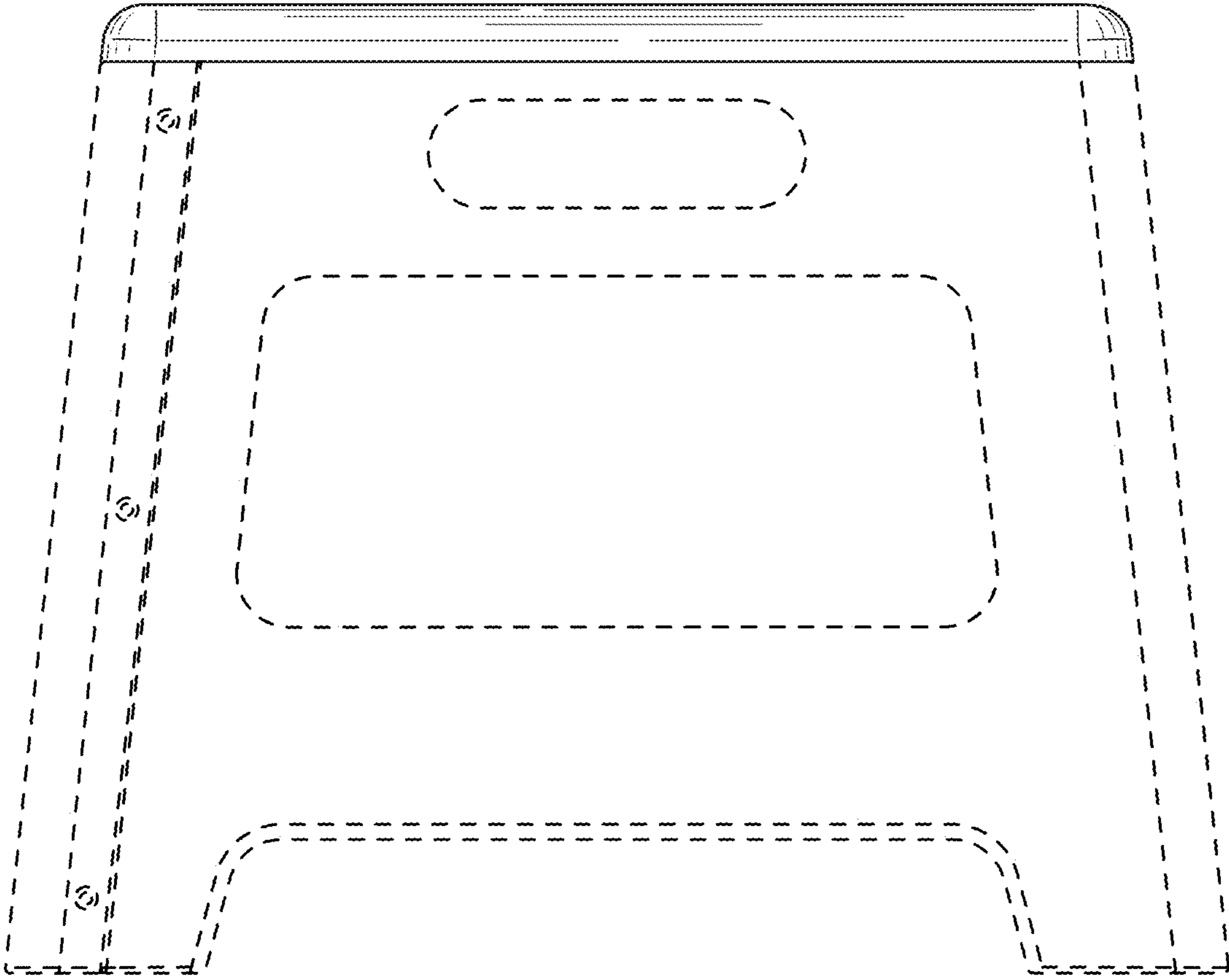


FIG. 3

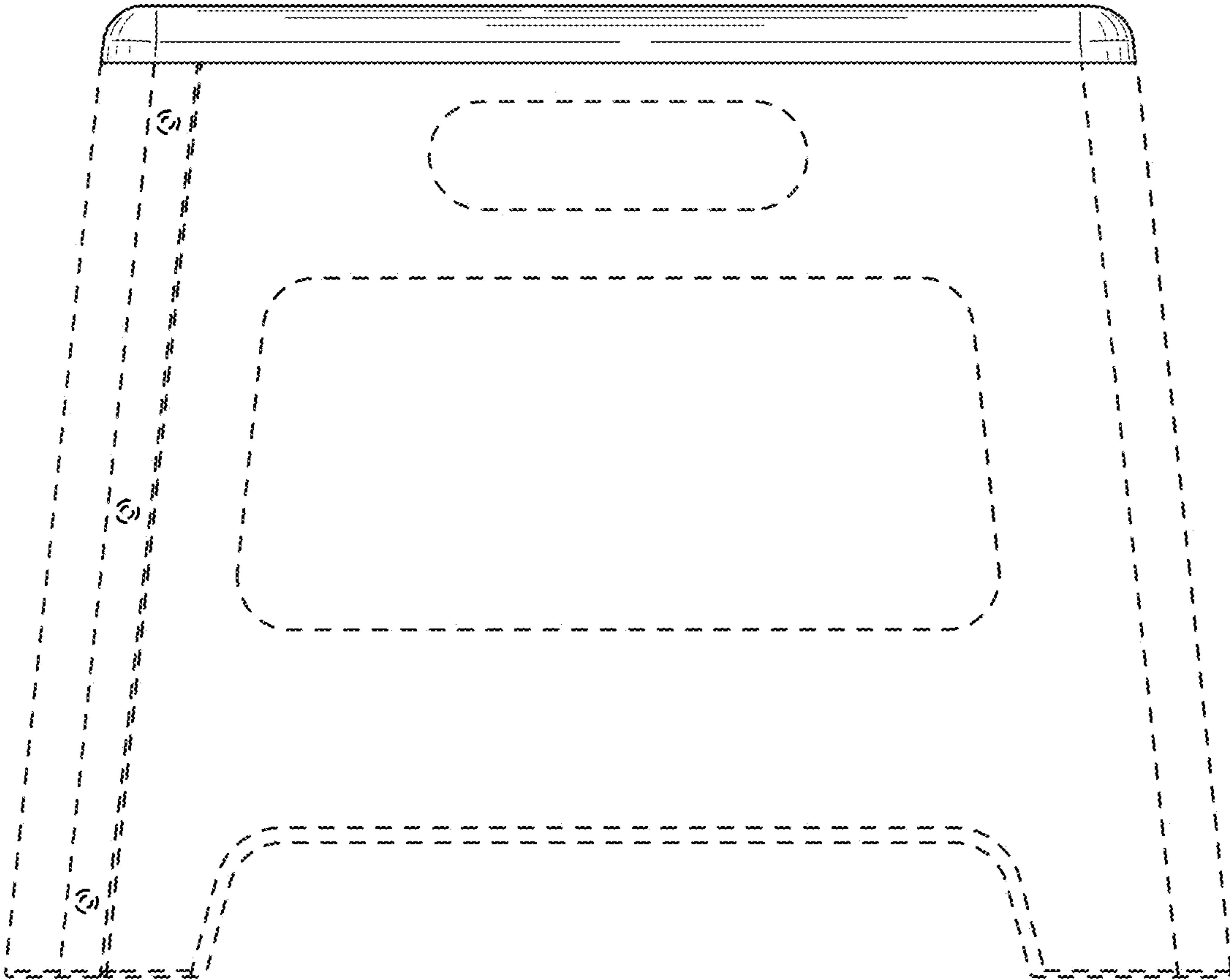


FIG. 4

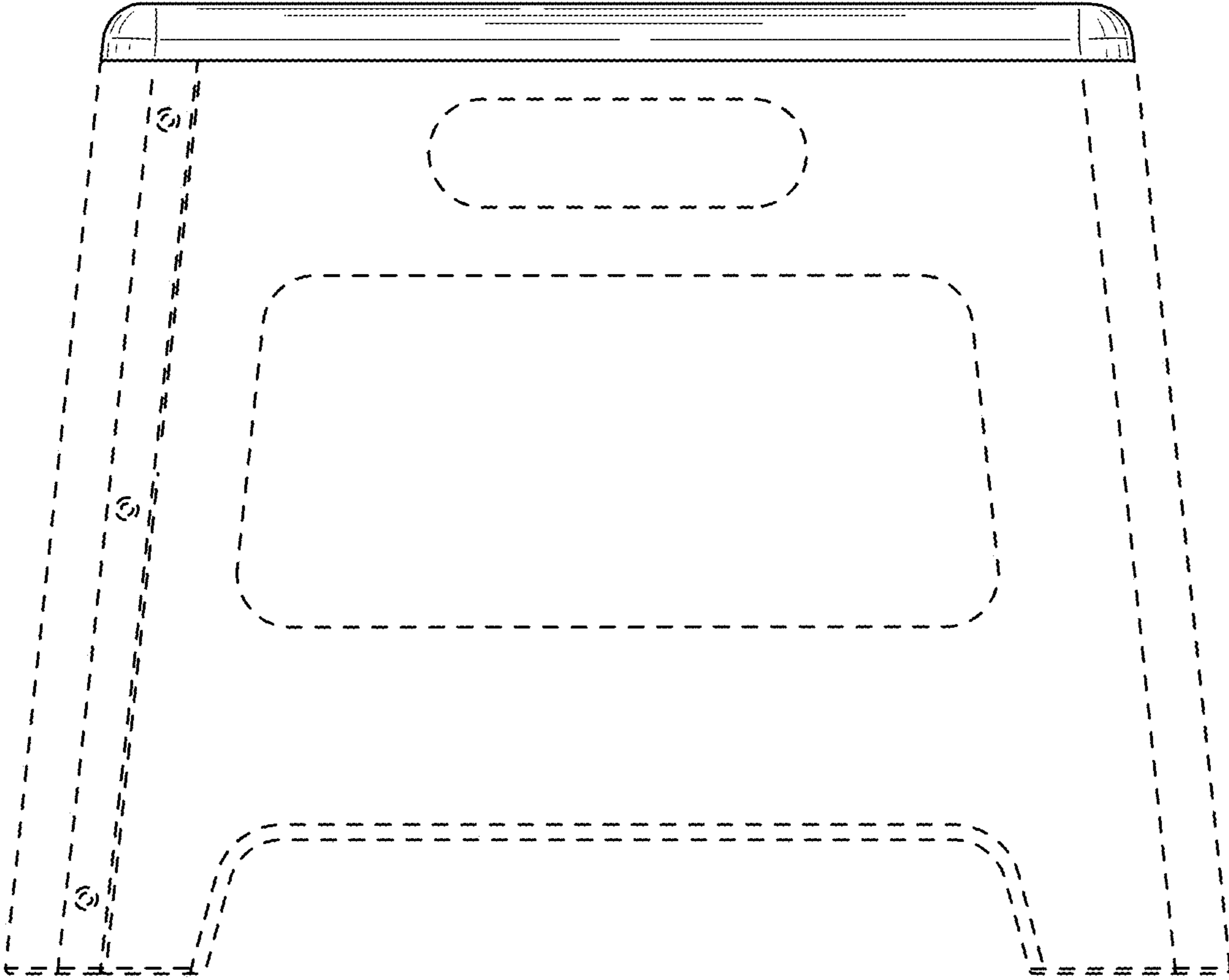


FIG. 5

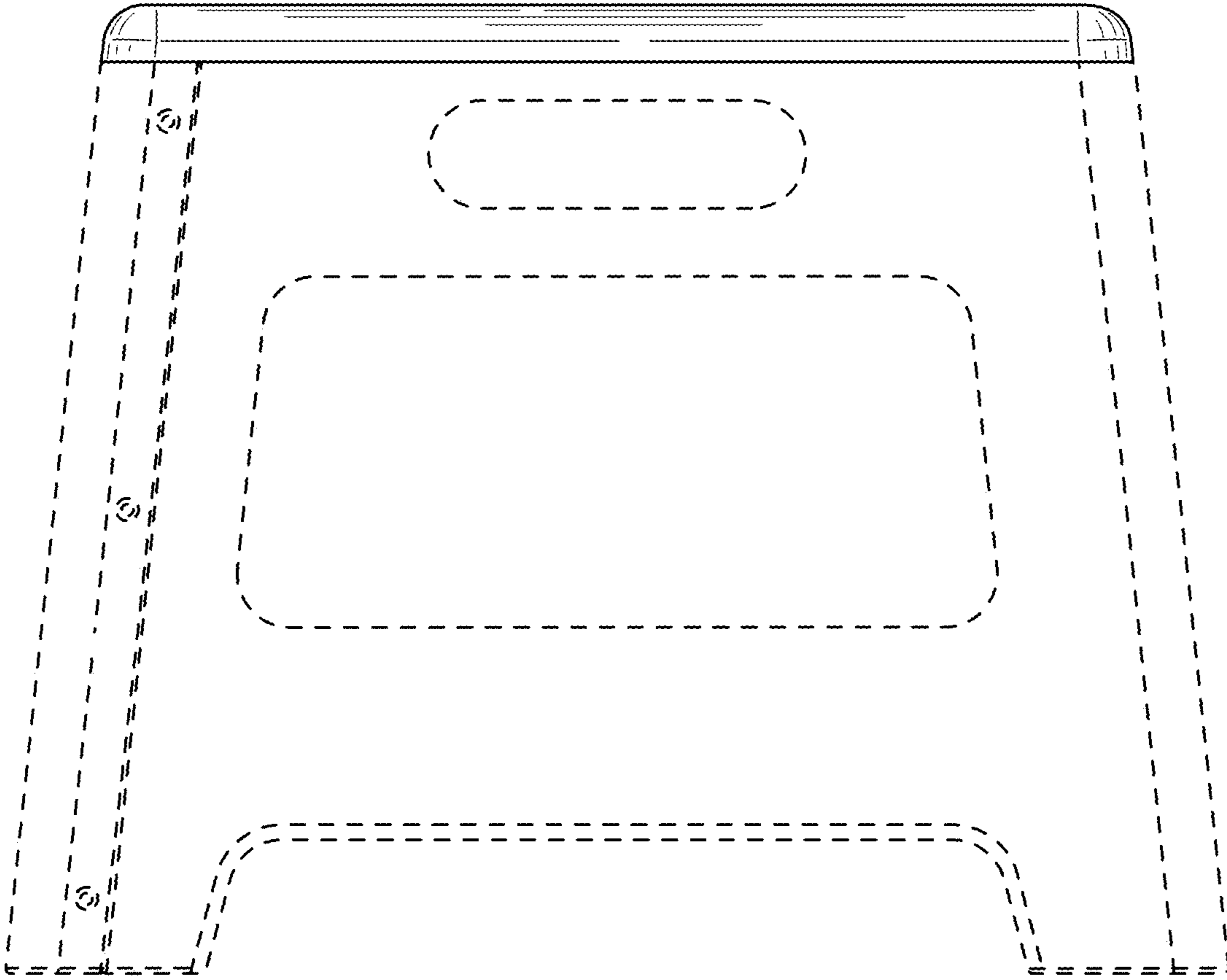


FIG. 6

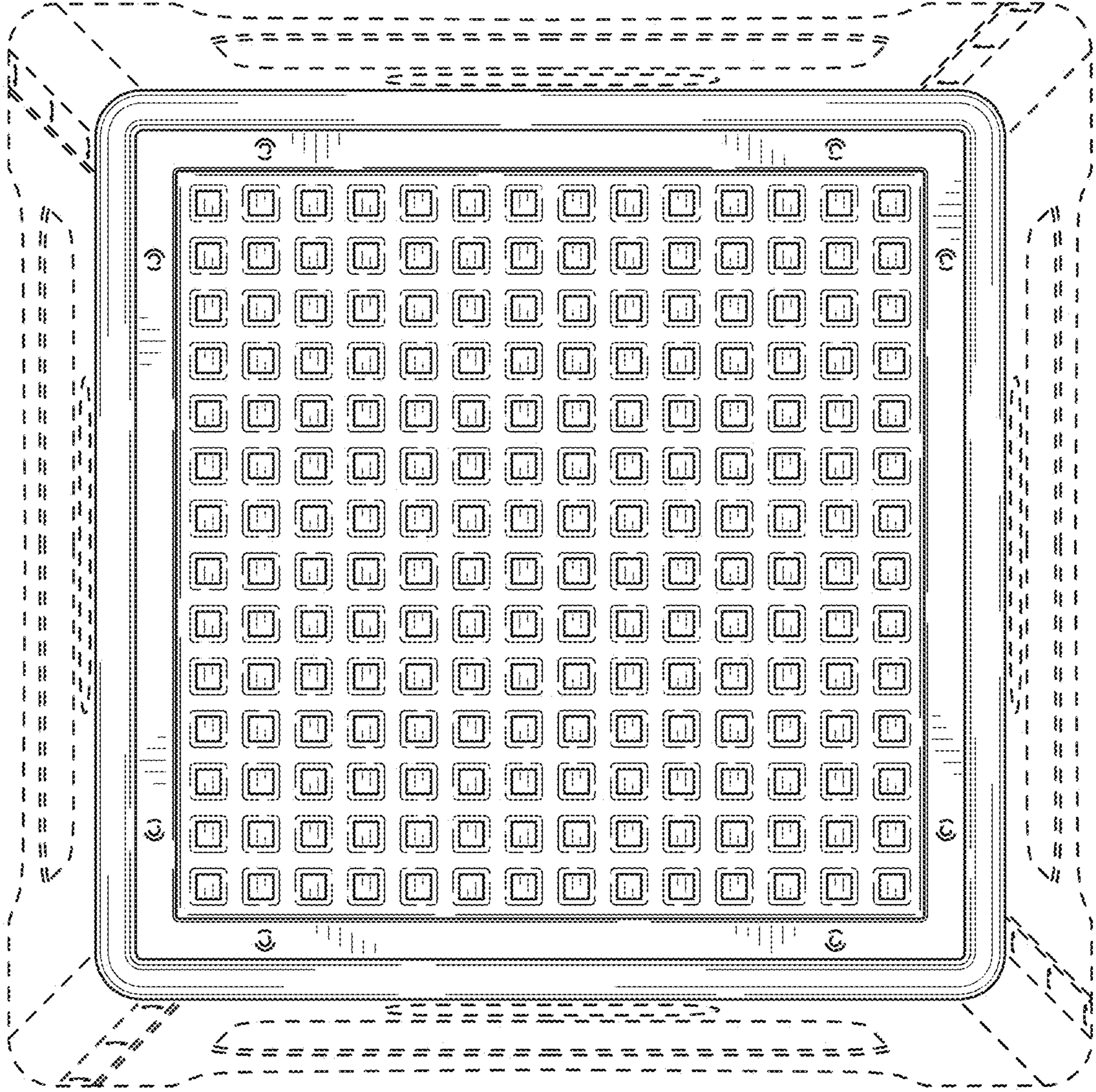


FIG. 7

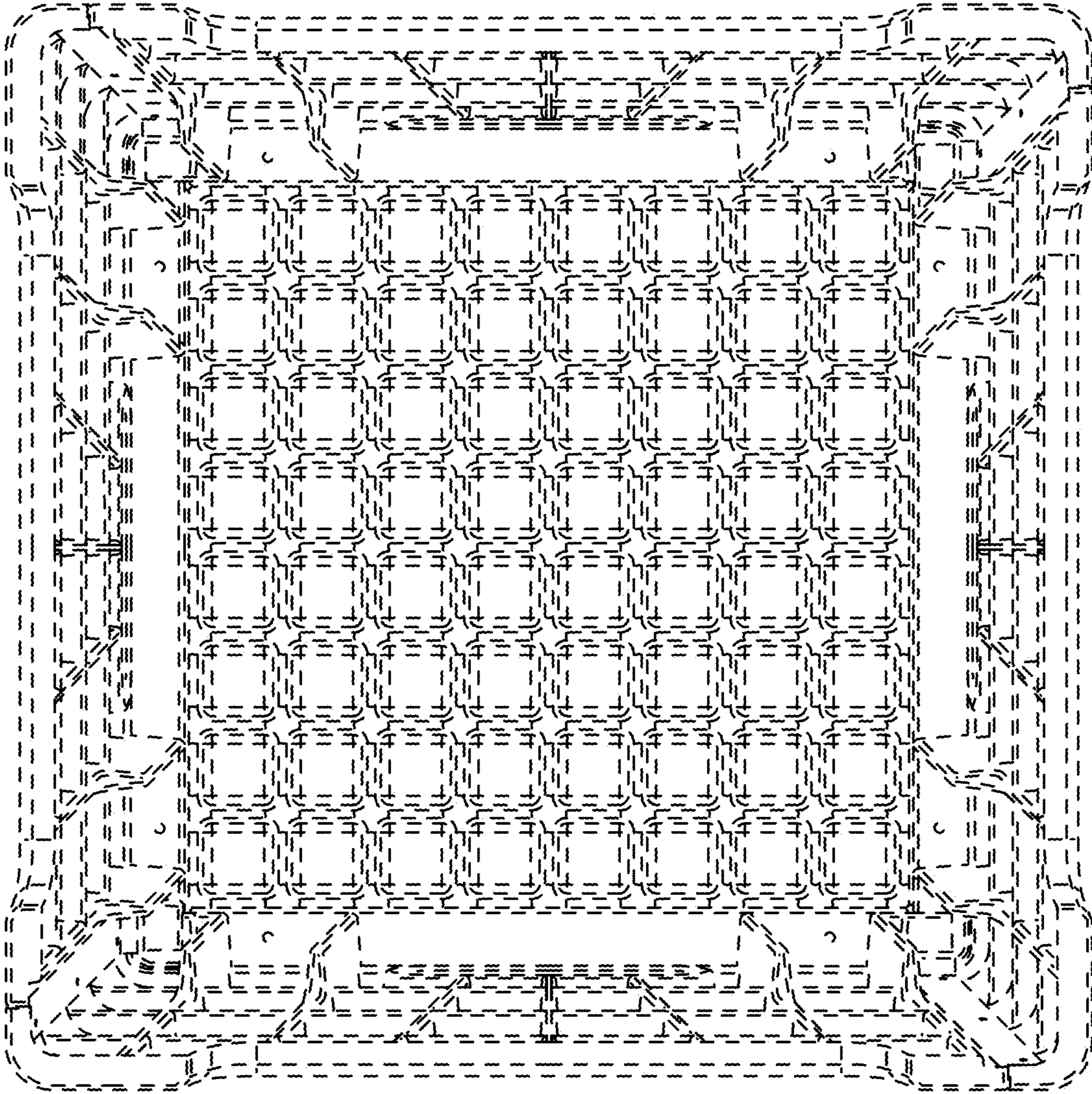


FIG. 8