

US00D944902S

(12) **United States Design Patent**
Jiang

(10) **Patent No.:** **US D944,902 S**
(45) **Date of Patent:** **** Mar. 1, 2022**

- (54) **WALKING TREADMILL**
- (71) Applicant: **Zhipeng Jiang**, Zhejiang (CN)
- (72) Inventor: **Zhipeng Jiang**, Zhejiang (CN)
- (73) Assignee: **YONGKANG BONITA IMPORT & EXPORT CO., LTD**, Zhejiang (CN)
- (**) Term: **15 Years**
- (21) Appl. No.: **29/758,382**
- (22) Filed: **Nov. 14, 2020**
- (30) **Foreign Application Priority Data**

Oct. 28, 2020 (CN) 202030643567.7

(51) **LOC (13) Cl.** **21-02**

(52) **U.S. Cl.**
USPC **D21/669**

(58) **Field of Classification Search**

USPC 482/54, 2, 51, 8, 70, 146; D21/668, 669,
D21/662, 694; 601/35, 23, 5, 34;
198/439, 456; D30/160

CPC . A63B 22/02; A63B 22/0023; A63B 22/0235;
A63B 2210/50; A63B 22/0285; A63B
22/0242; A63B 2022/025; A63B 2225/30;
A63B 2022/0214; A63B 2220/13; A63B
2022/0228; A63B 2210/56; A63B
2024/0093; A63B 2022/0207; A63B
22/0012; A63B 22/0257; A61H 3/008;
A61H 1/0262; A61H 2201/164; A01K
15/027

See application file for complete search history.

(56) **References Cited**

U.S. PATENT DOCUMENTS

- 3,637,206 A * 1/1972 Chickering, III A63B 22/02
482/54
- 3,642,279 A * 2/1972 Cutter A63B 22/02
482/54

- D232,446 S * 8/1974 Townsend D21/669
- D273,029 S 3/1984 Kullenberg
- D299,258 S 1/1989 De Lorenzo
- D303,557 S 9/1989 Kiiski
- D333,330 S 2/1993 Clem
- 5,688,209 A * 11/1997 Trulaske A63B 21/154
482/54
- D393,297 S 4/1998 McBride et al.
- D450,792 S 11/2001 Kuo
- D464,690 S * 10/2002 San-Ching D21/669
- D484,554 S * 12/2003 Hellman, Jr D21/669
- D521,577 S 5/2006 Wu
- D707,763 S 6/2014 Cutler
- 8,740,756 B2 * 6/2014 Shabodyash A63B 22/02
482/54
- D797,216 S * 9/2017 Jacobs D21/669

(Continued)

Primary Examiner — Ryan Harvey

(57) **CLAIM**

The ornamental design for a walking treadmill, as shown and described.

DESCRIPTION

FIG. 1 is a perspective view of a walking treadmill showing my new design;

FIG. 2 is a front elevation view thereof;

FIG. 3 is a rear elevation view thereof;

FIG. 4 is a left side elevation view thereof;

FIG. 5 is a right side elevation view thereof;

FIG. 6 is a top plan view thereof;

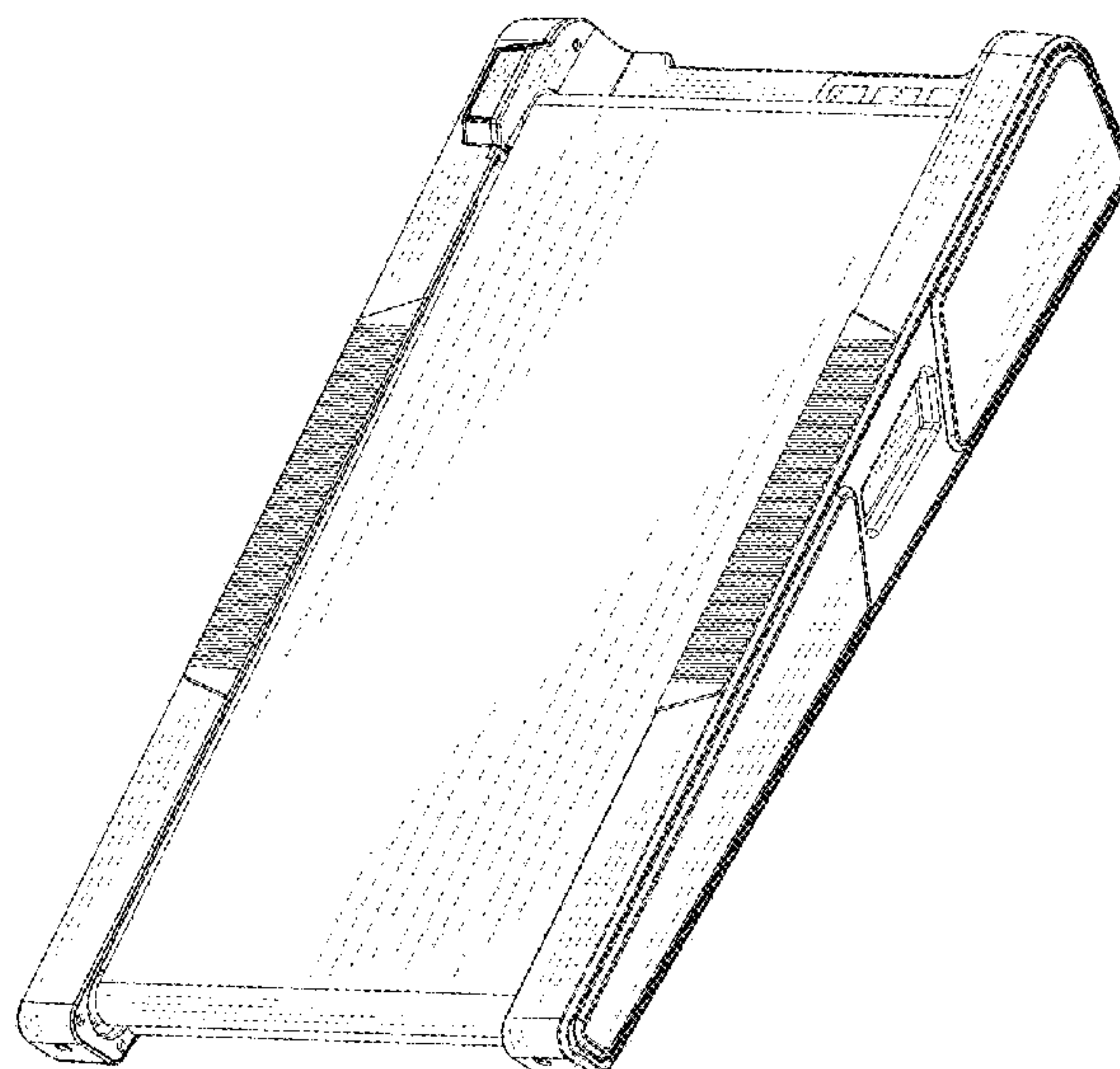
FIG. 7 is a bottom plan view thereof;

FIG. 8 is a rear, left, top side perspective view thereof; and,

FIG. 9 is a perspective view thereof, showing the walking treadmill in a state of use.

The broken lines shown in the figures are for the purpose of illustrating portions of the walking treadmill, which form no part of the claimed design.

1 Claim, 9 Drawing Sheets



(56)

References Cited

U.S. PATENT DOCUMENTS

10,252,109 B2 * 4/2019 Watterson A61H 1/005
D871,526 S 12/2019 Zhao
D873,934 S 1/2020 Mino
D888,845 S * 6/2020 Luo D21/669
D889,569 S * 7/2020 Luo D21/669
D908,817 S * 1/2021 Wang D21/669
D910,123 S * 2/2021 Li D21/669
D919,719 S * 5/2021 Ren D21/669
D926,895 S * 8/2021 Zhu D21/669
D928,252 S * 8/2021 Zhu D21/669
D929,511 S * 8/2021 Chen D21/669
D934,353 S * 10/2021 Hu D21/669
2003/0130095 A1 * 7/2003 Hellman, Jr. A63B 22/0285
482/54
2011/0201481 A1 * 8/2011 Lo A63B 22/0235
482/54
2012/0088633 A1 * 4/2012 Crafton A63B 23/0464
482/1
2013/0017929 A1 * 1/2013 Hendrickson F16H 25/2056
482/54
2017/0266534 A1 * 9/2017 Watterson A63B 22/0023
2018/0178055 A1 * 6/2018 Netter A63B 22/0023
2019/0192952 A1 * 6/2019 Powell A63B 22/0023
2019/0217182 A1 * 7/2019 Kueker A63B 24/0087
2019/0290956 A1 * 9/2019 Ren A63B 22/0235
2020/0094105 A1 * 3/2020 Kueker A63B 22/0221
2020/0179748 A1 * 6/2020 Netter A63B 24/0087
2021/0275860 A1 * 9/2021 Tseng A63B 71/0619

* cited by examiner

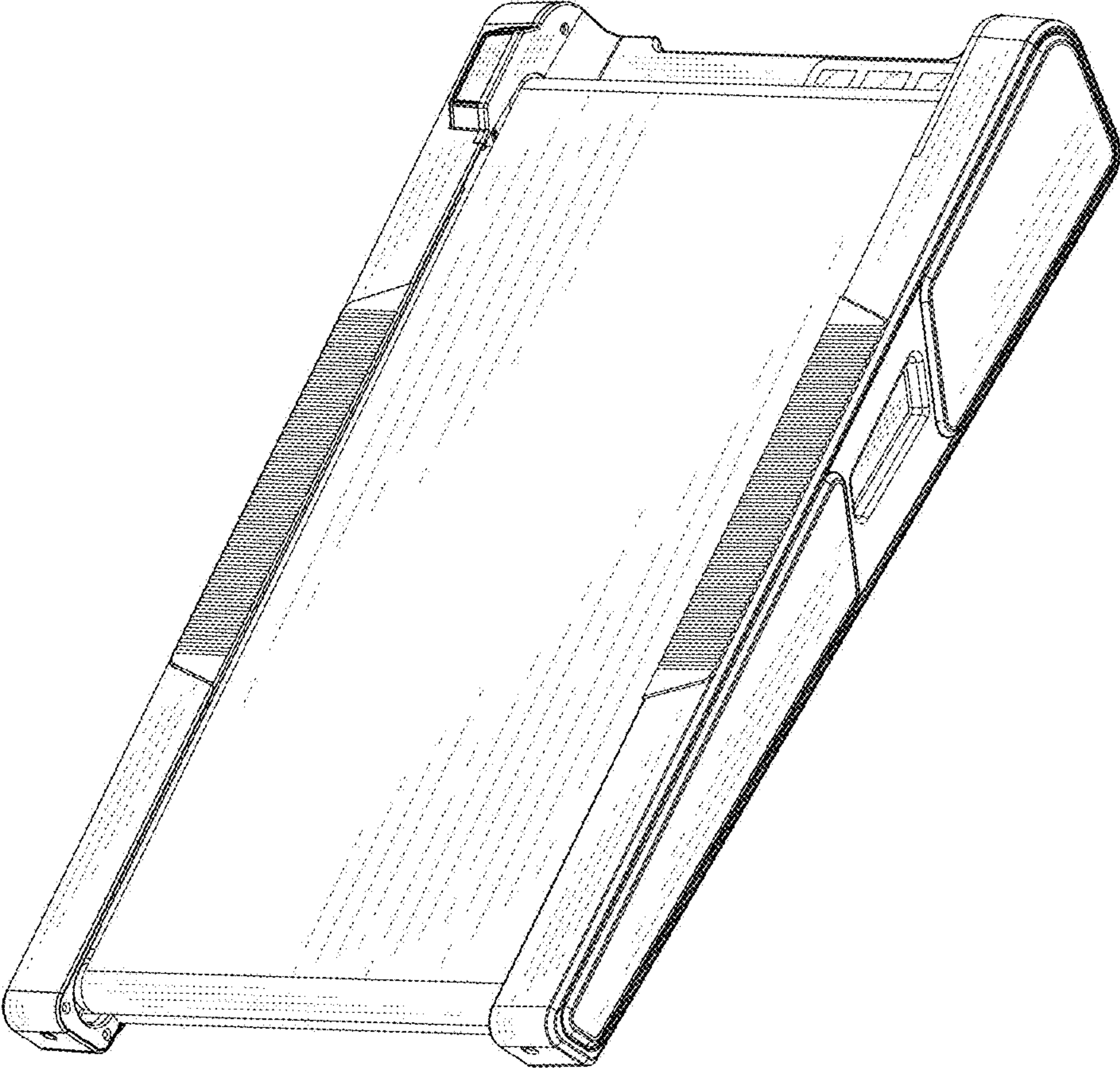


FIG.1

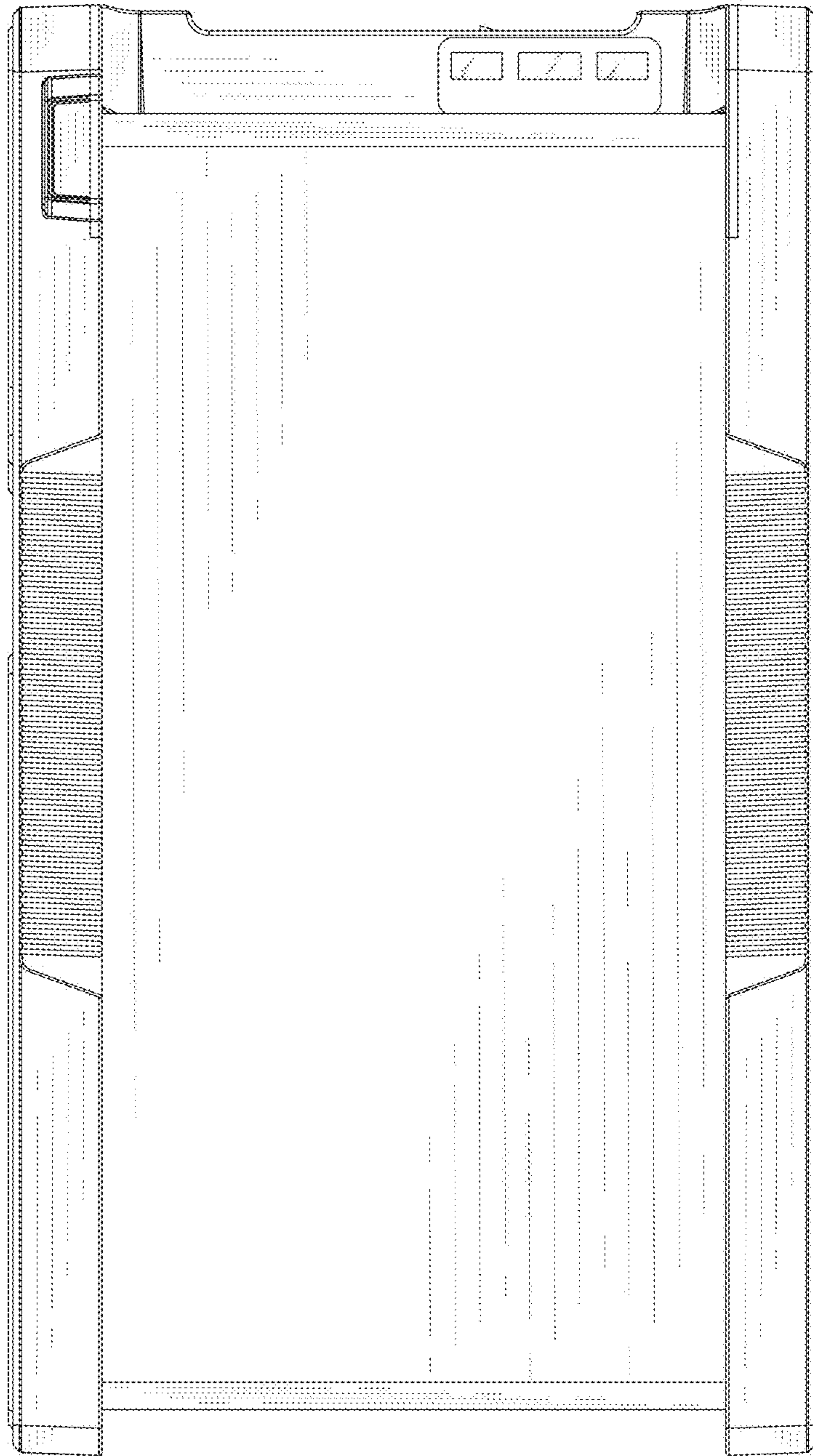


FIG.2

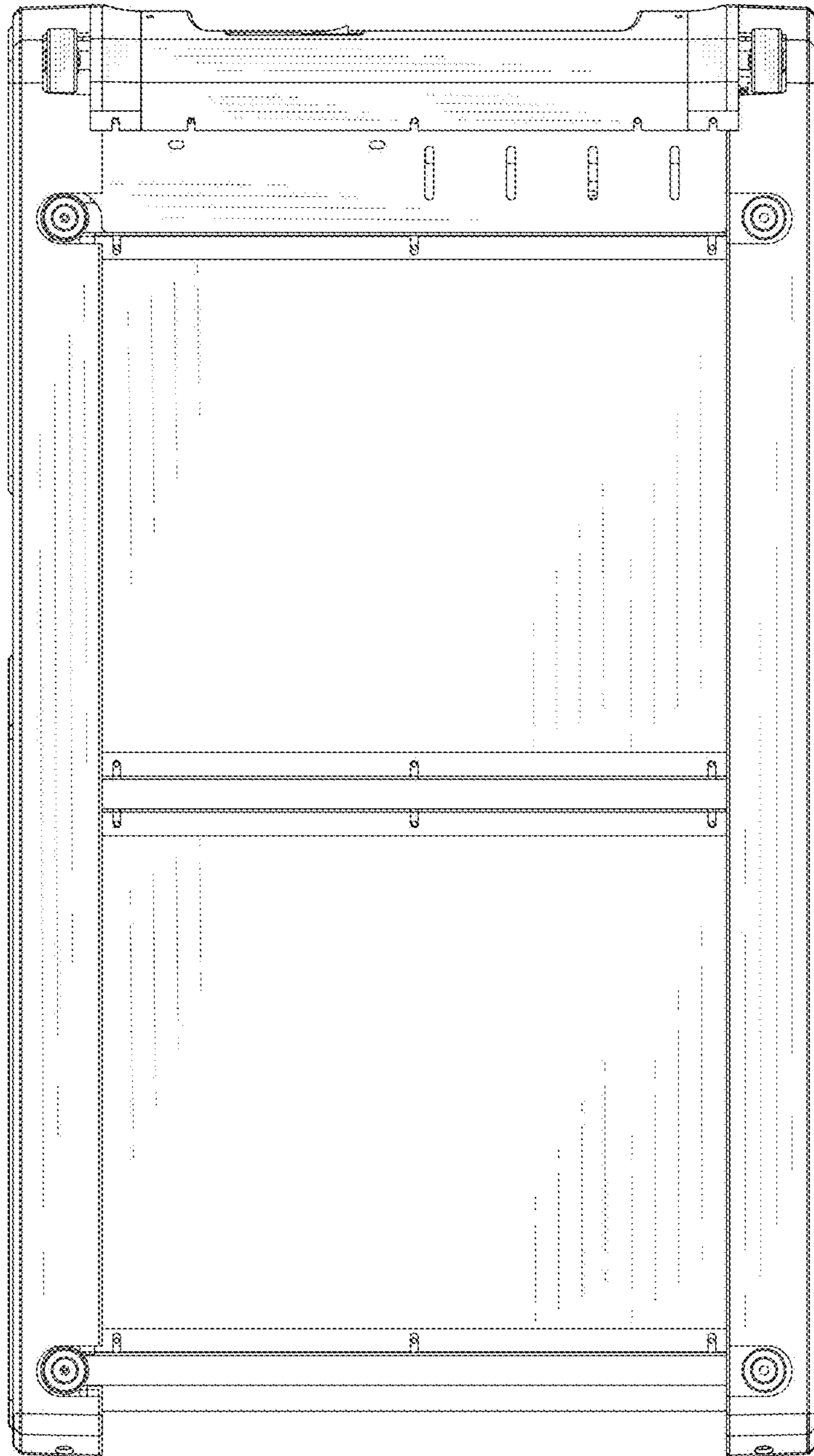


FIG.3

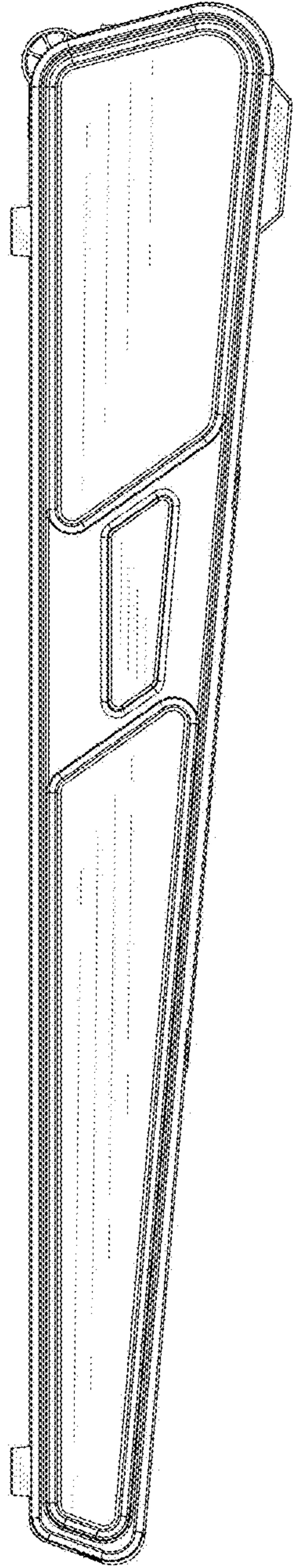


FIG.4

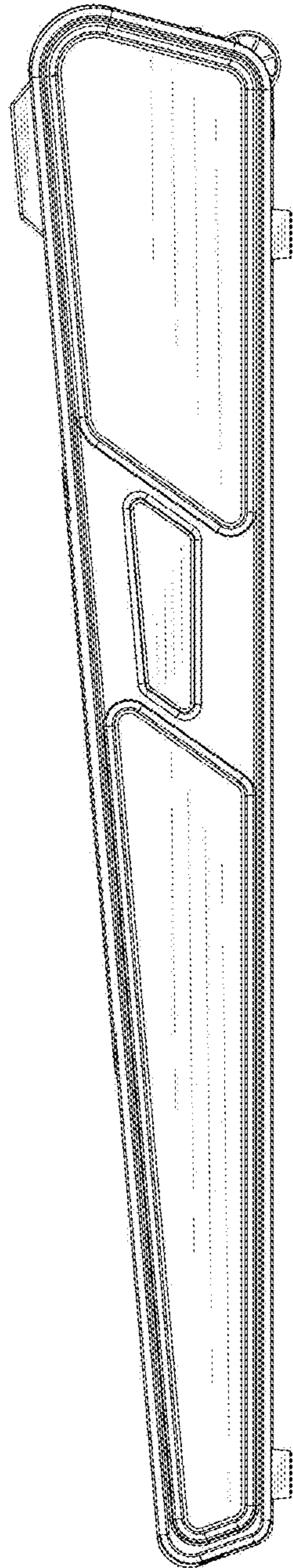


FIG.5

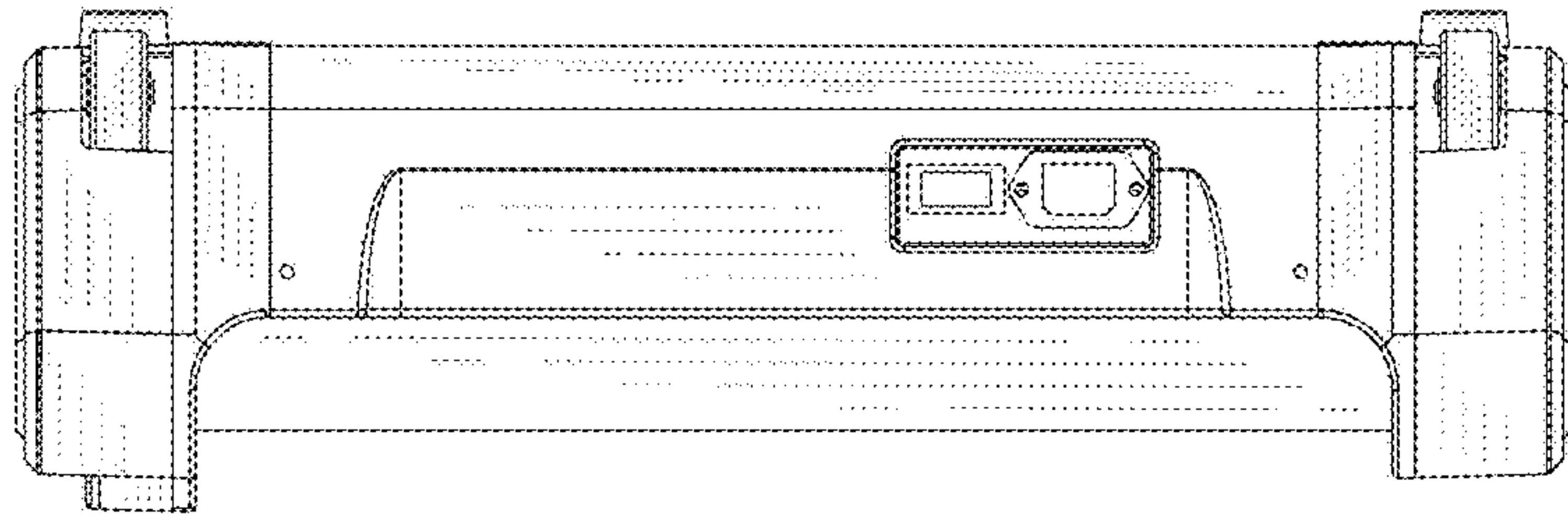


FIG.6

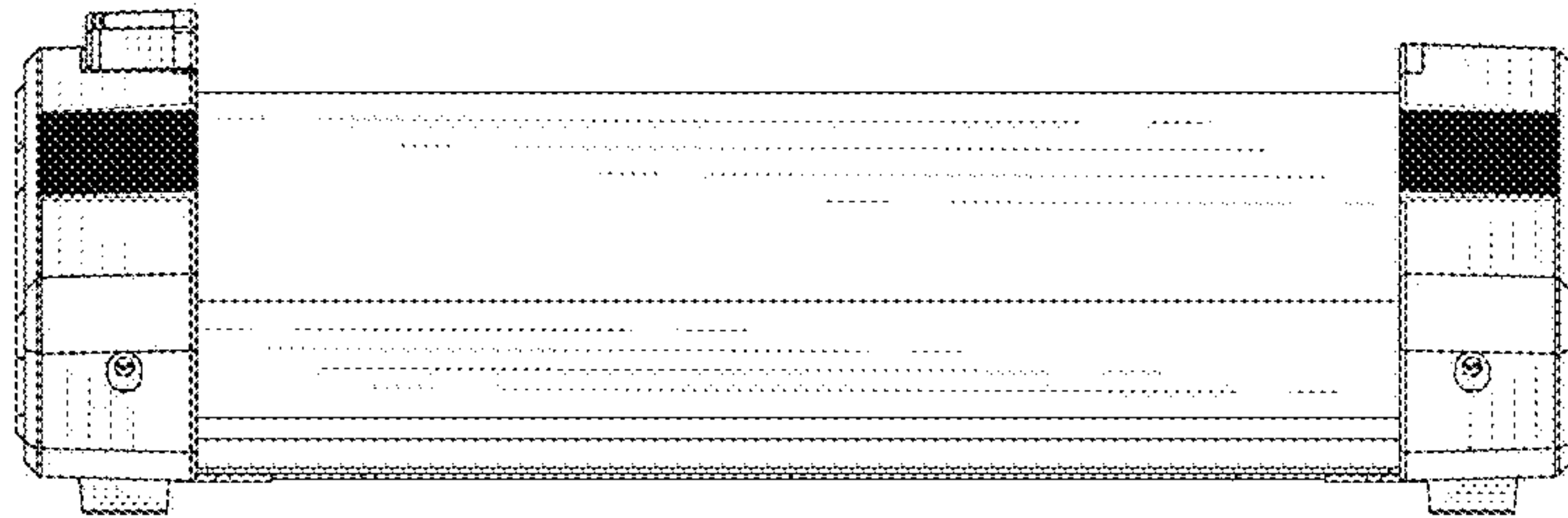


FIG.7

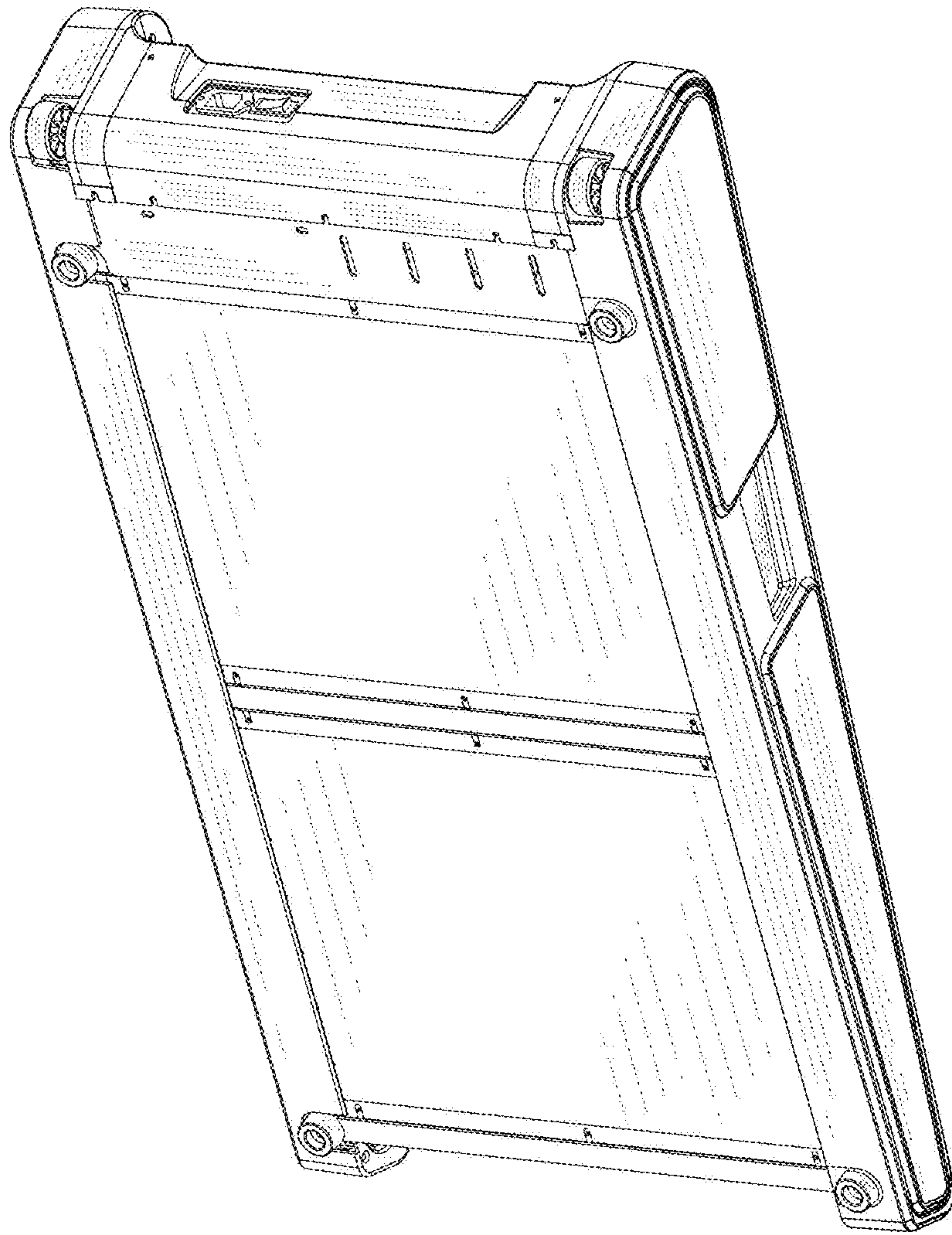


FIG. 8

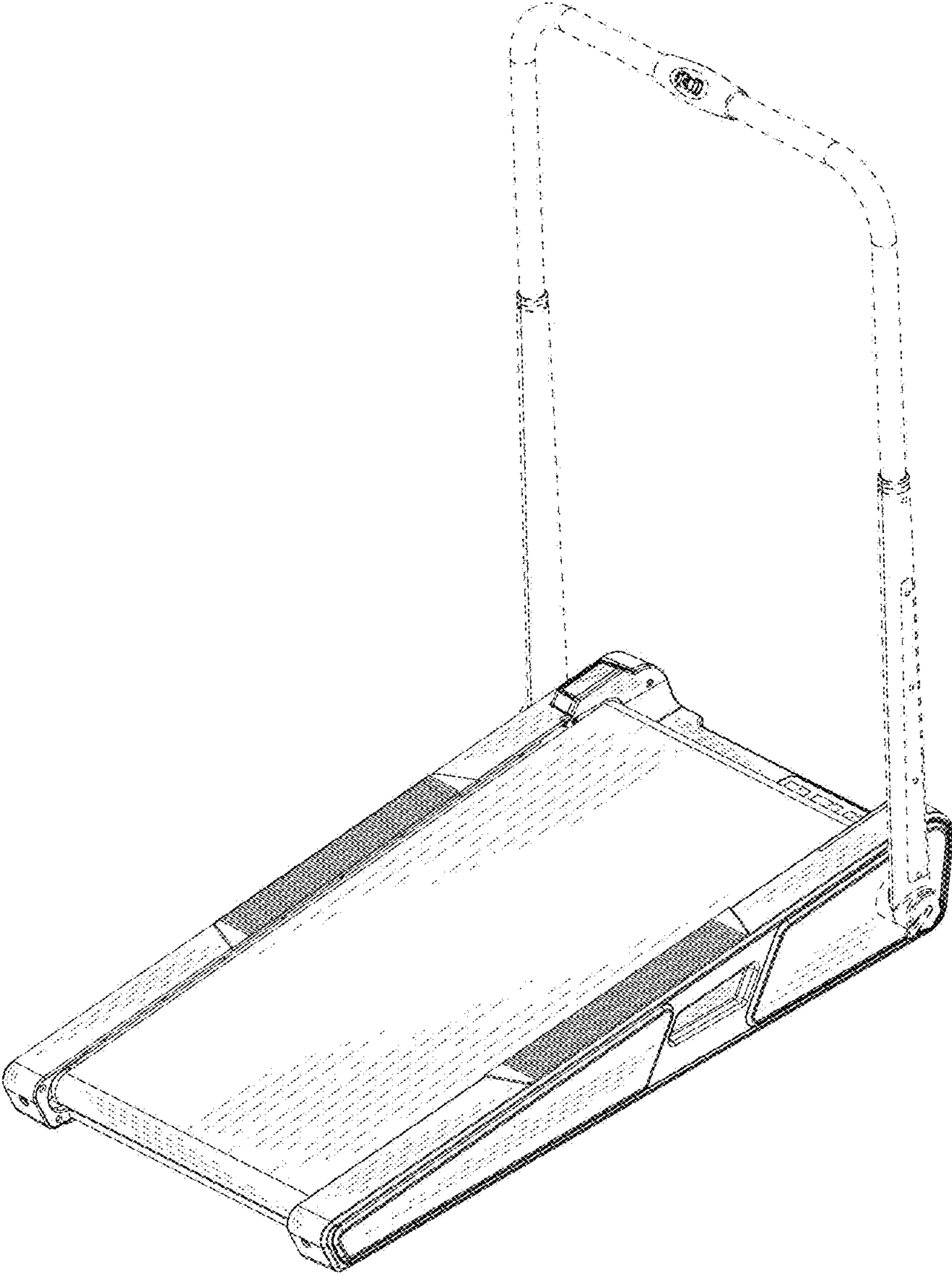


FIG. 9