

US00D944900S

(12) **United States Design Patent**
Xing et al.

(10) **Patent No.:** **US D944,900 S**
(45) **Date of Patent:** **** Mar. 1, 2022**

(54) **MODEL CAR**

(56) **References Cited**

(71) Applicant: **BEIJING XIAOMI MOBILE SOFTWARE CO., LTD.**, Beijing (CN)

U.S. PATENT DOCUMENTS

(72) Inventors: **Zheng Xing**, Beijing (CN); **Ningning Li**, Beijing (CN); **Lei Zhang**, Beijing (CN); **Ying Shen**, Beijing (CN)

D275,873 S *	10/1984	Manning	D21/548
D275,874 S *	10/1984	Manning	D21/548
D728,037 S *	4/2015	Barajas	D21/548
D771,203 S *	11/2016	Gan	D21/552
D802,685 S *	11/2017	Barajas	D21/562
D832,368 S *	10/2018	Barajas	D21/561
D897,452 S *	9/2020	Lin	D21/550

(73) Assignee: **BEIJING XIAOMI MOBILE SOFTWARE CO., LTD.**, Beijing (CN)

FOREIGN PATENT DOCUMENTS

(**) Term: **15 Years**

JP D1607874 * 7/2018

(21) Appl. No.: **35/510,120**

* cited by examiner

(22) Filed: **Feb. 19, 2020**

Primary Examiner — George D. Kirschbaum

(80) **Hague Agreement Data**

Assistant Examiner — Joseph J Kukella

Int. Filing Date: **Feb. 19, 2020**
 Int. Reg. No.: **DM/207909**
 Int. Reg. Date: **Feb. 19, 2020**
 Int. Reg. Pub. Date: **Aug. 21, 2020**

(74) *Attorney, Agent, or Firm* — Syncoda LLC; Feng Ma

(57) **CLAIM**

The ornamental design for a model car, as shown and described.

(30) **Foreign Application Priority Data**

DESCRIPTION

Aug. 29, 2019 (CN) 201930474817.6

(51) **LOC (13) Cl.** **21-01**

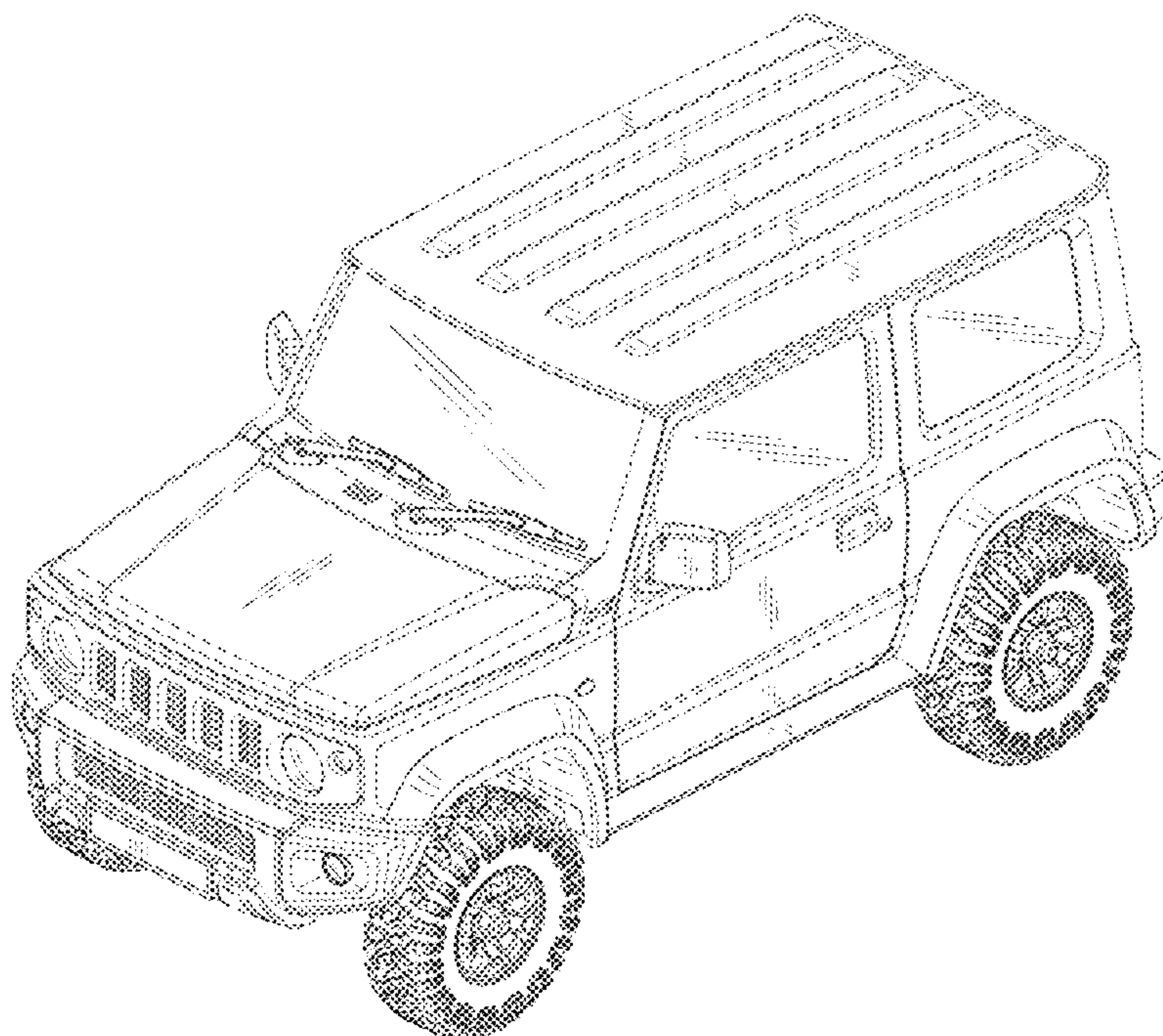
(52) **U.S. Cl.**
USPC **D21/548**; D12/91

(58) **Field of Classification Search**
USPC D12/82, 86, 89, 91, 93, 159; D21/533,
D21/548, 552, 561, 562

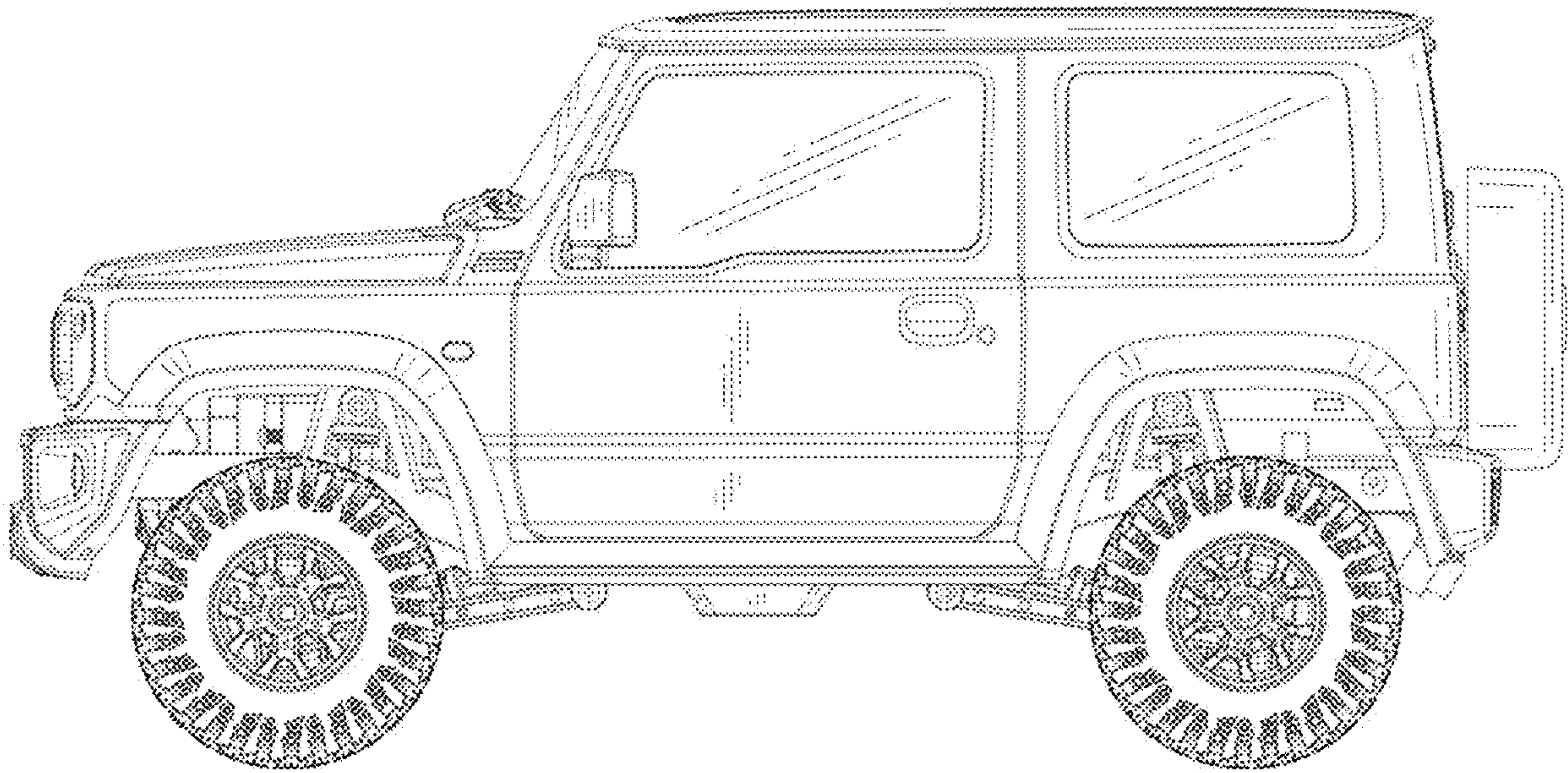
CPC A63H 17/00; B62D 21/00; B62D 21/10;
B62D 25/06; B62D 31/00; B62D 31/003
See application file for complete search history.

- 1. Model car
- 1.1 : Front
- 1.2 : Back
- 1.3 : Left
- 1.4 : Right
- 1.5 : Top
- 1.6 : Bottom
- 1.7 : Perspective
- 1.8 : Perspective

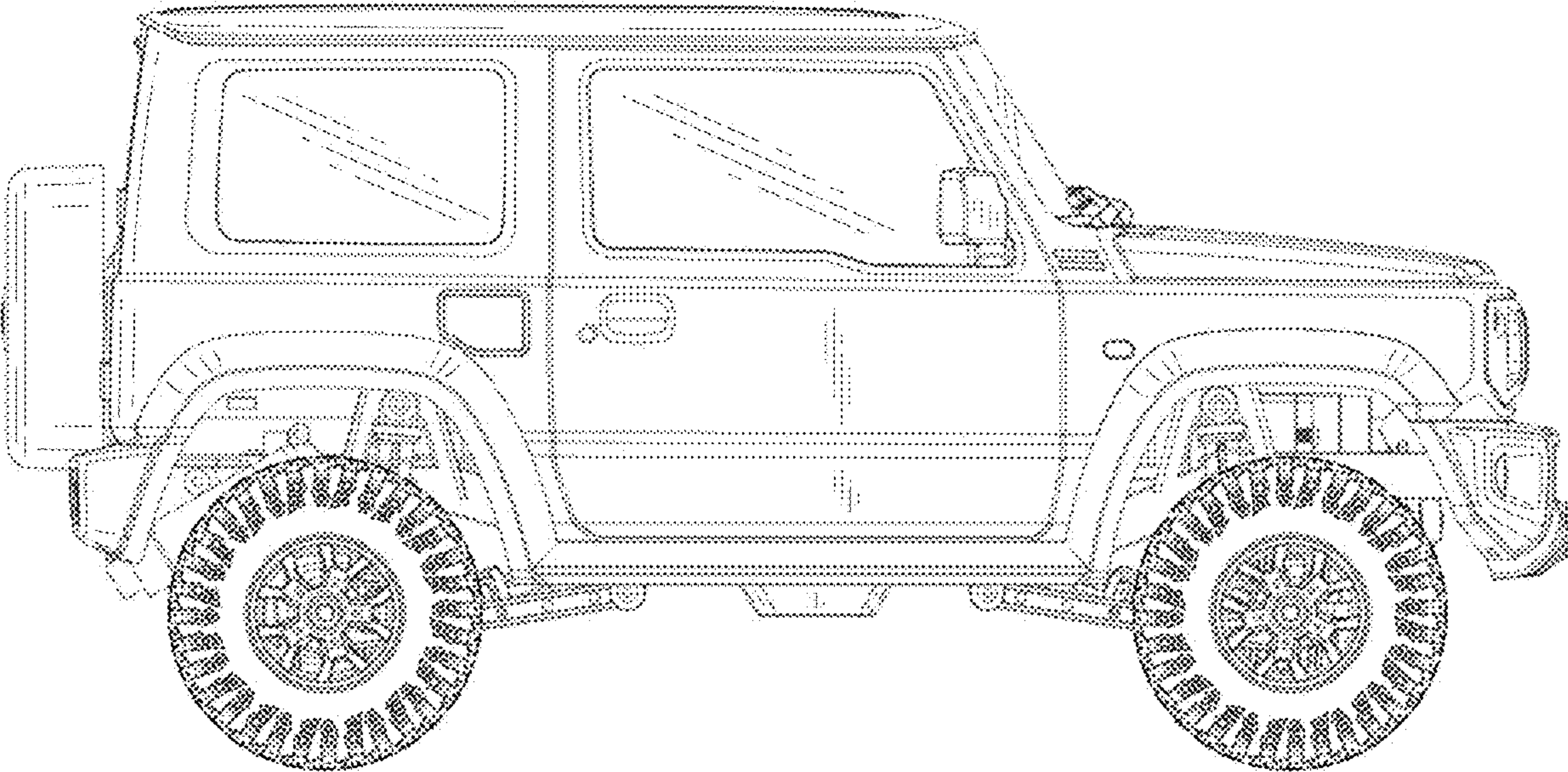
1 Claim, 8 Drawing Sheets



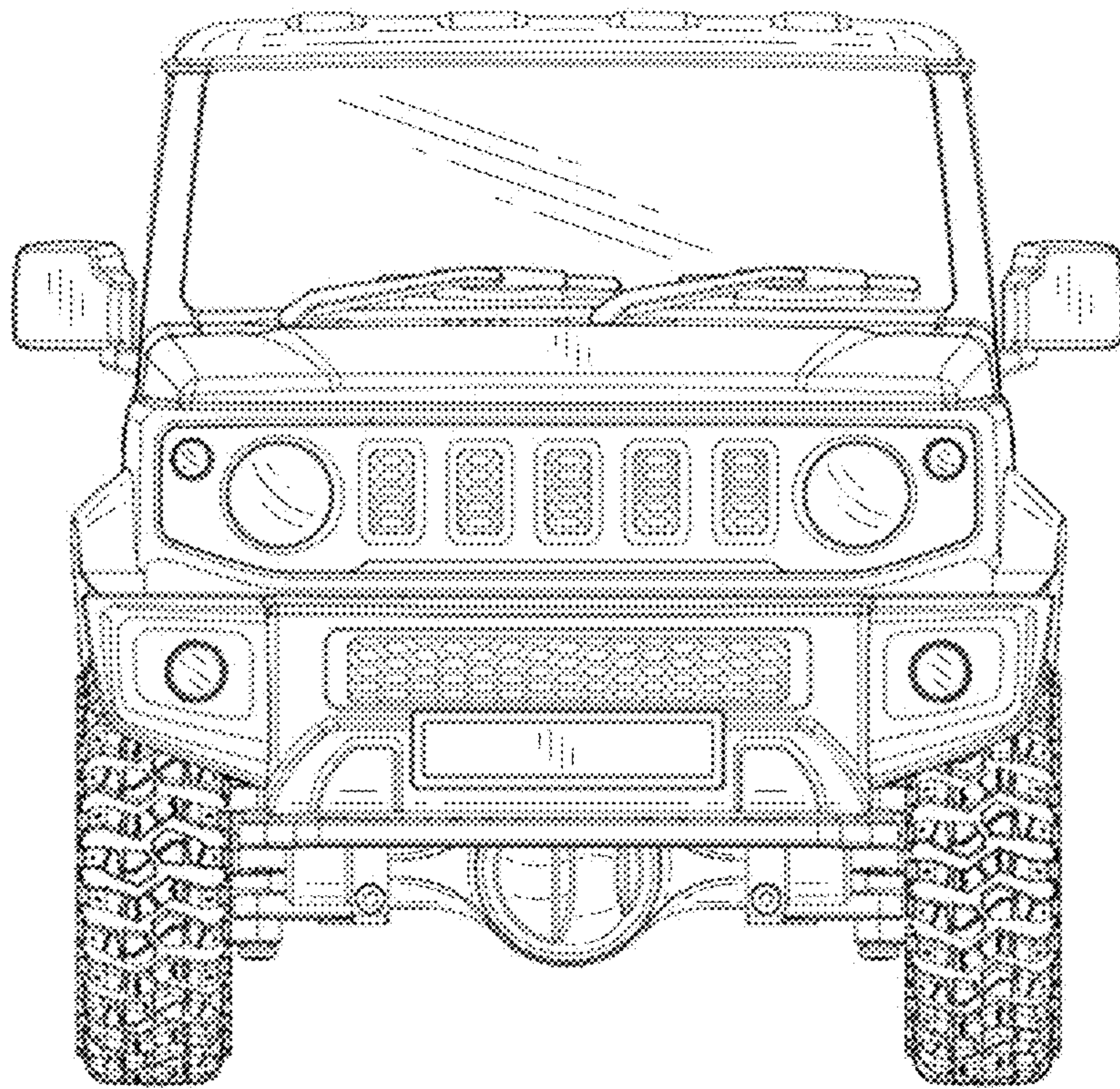
1.1



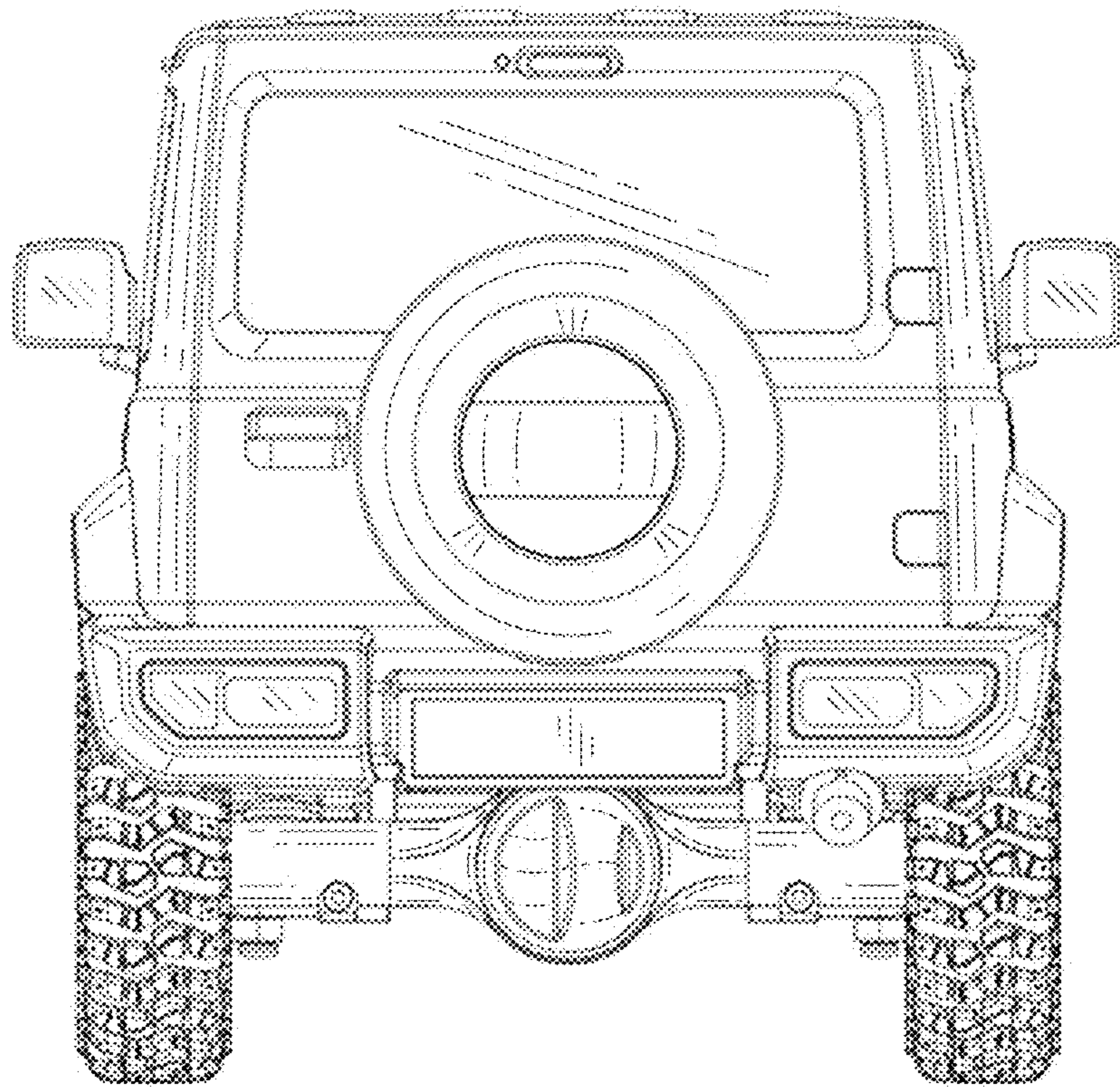
1.2



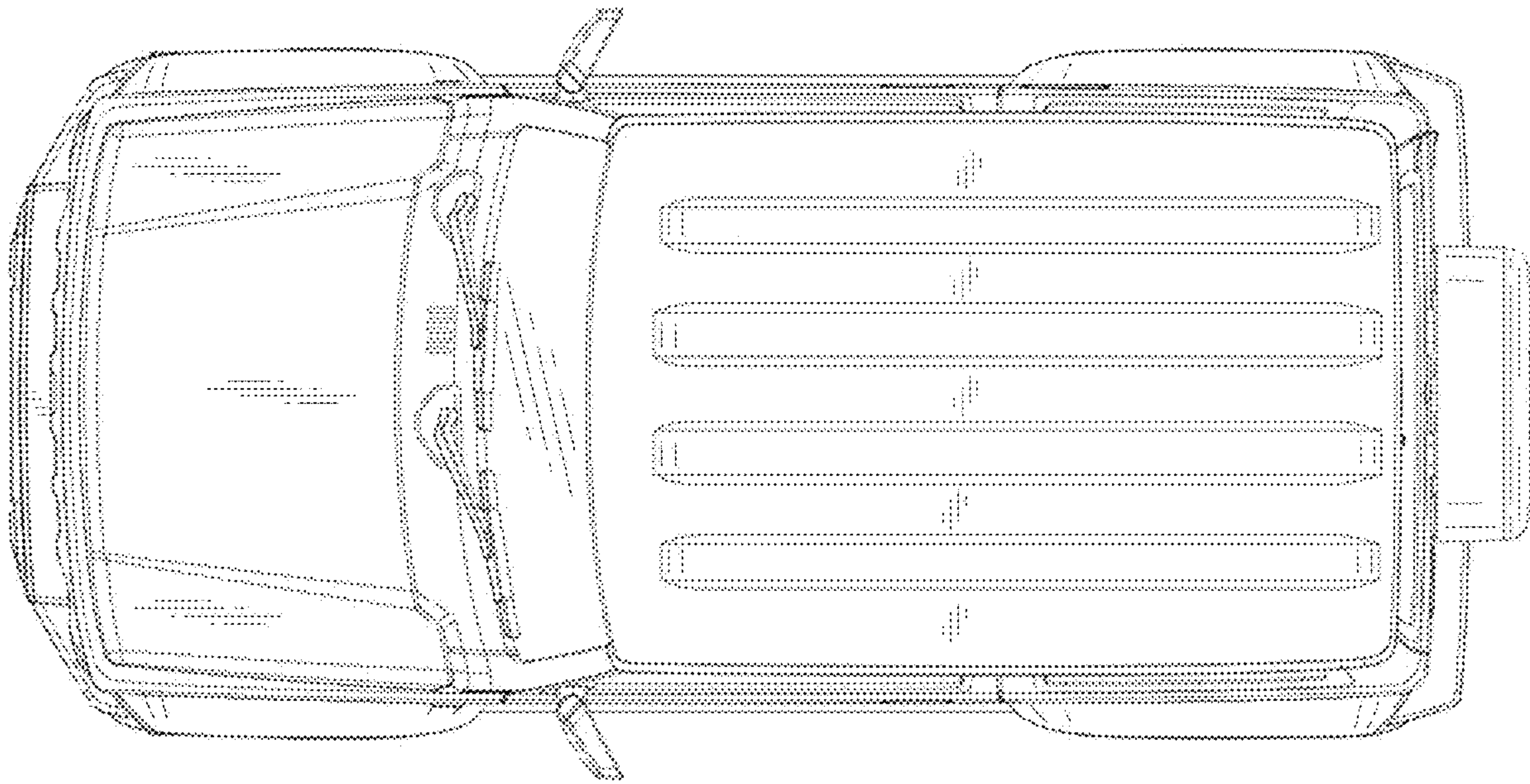
1.3



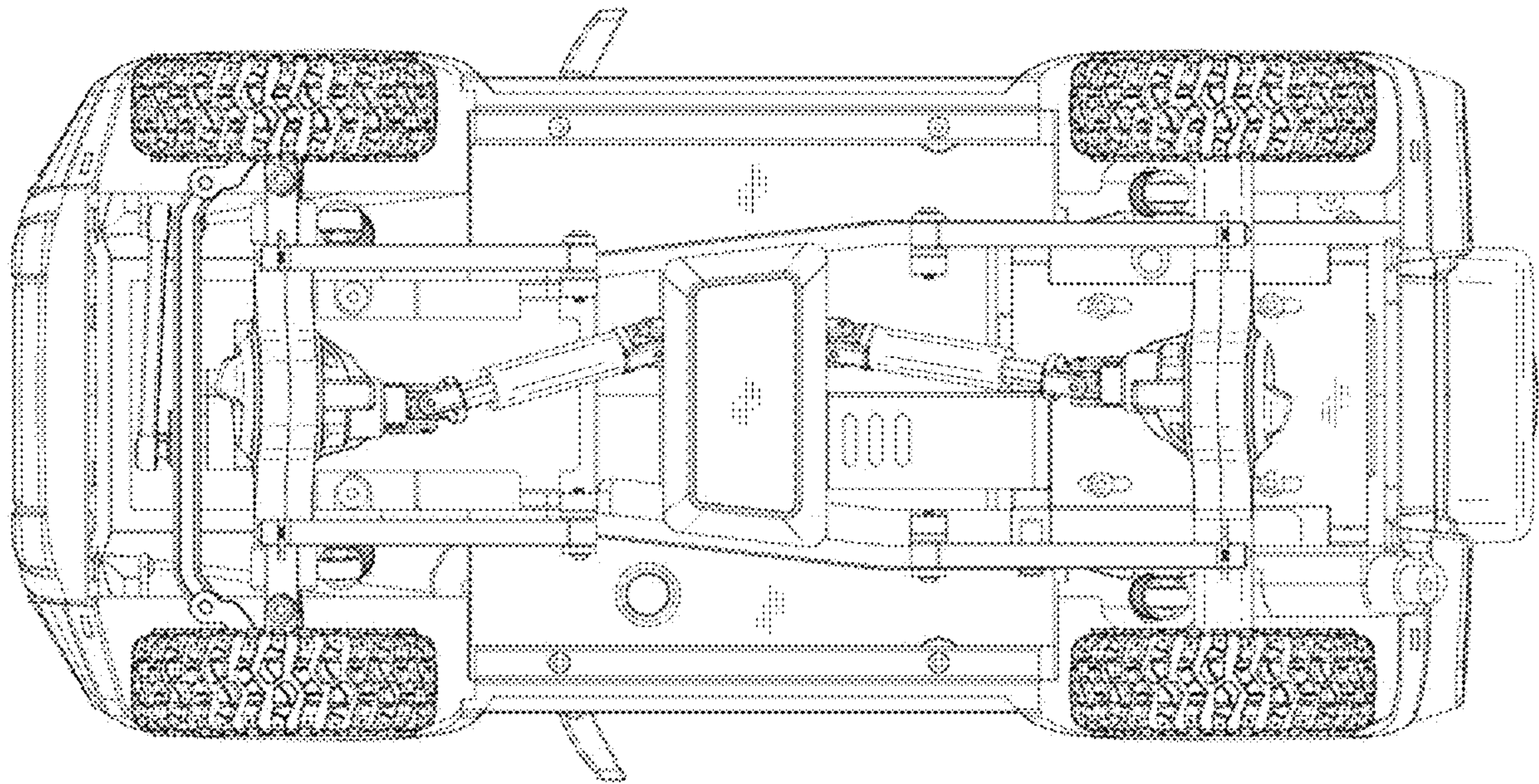
1.4



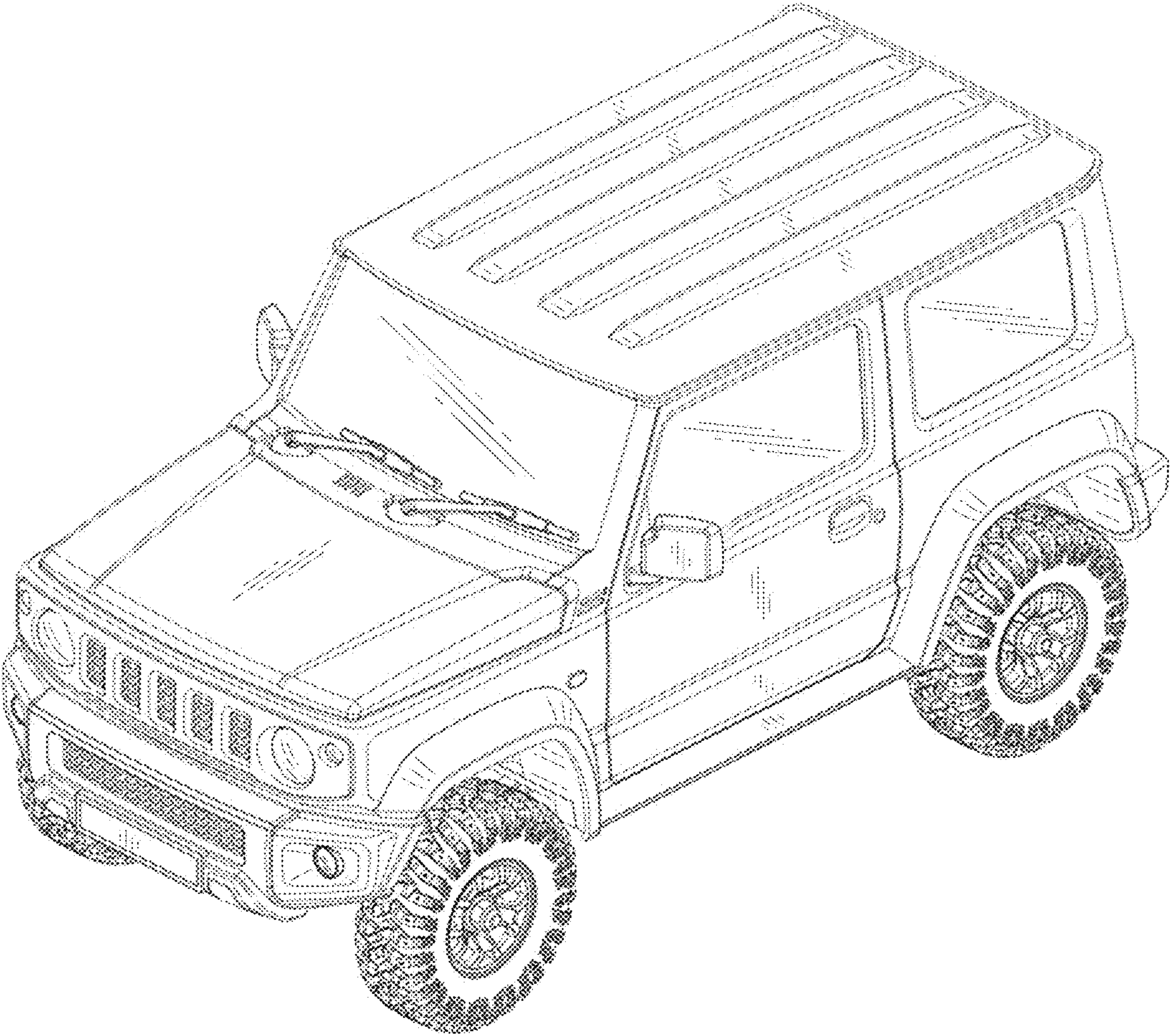
1.5



1.6



1.7



1.8

