



US00D944899S

(12) **United States Design Patent**
Weng

(10) **Patent No.:** **US D944,899 S**
(45) **Date of Patent:** **** Mar. 1, 2022**

(54) **REMOTE CONTROL CAR**
(71) Applicant: **Yihai Weng**, Shantou (CN)
(72) Inventor: **Yihai Weng**, Shantou (CN)
(**) Term: **15 Years**
(21) Appl. No.: **29/748,301**

(22) Filed: **Aug. 28, 2020**
(51) **LOC (13) Cl.** **21-01**
(52) **U.S. Cl.**
USPC **D21/533**
(58) **Field of Classification Search**
USPC D21/548, 549, 550, 551
CPC A63H 17/004; A63H 17/00; A63H 17/045;
A63H 29/00; A63H 29/22; A63H 30/00;
A63H 30/02; A63H 30/04
See application file for complete search history.

(56) **References Cited**
U.S. PATENT DOCUMENTS

D225,879 S *	1/1973	Broadley	D21/550
3,733,739 A *	5/1973	Terzian	A63H 31/00 446/462
D269,100 S *	5/1983	Reder	D21/551
D303,408 S *	9/1989	Wallace	D21/550
5,374,213 A *	12/1994	Brovelli	A63H 17/00 180/233
D362,280 S *	9/1995	George	D21/550
5,727,985 A *	3/1998	George	A63H 17/004 446/437
6,506,096 B1 *	1/2003	Ishimoto	A63H 17/262 446/437
D577,778 S *	9/2008	Fink	D21/550
D639,351 S *	6/2011	Newmayer	D21/533
D677,345 S *	3/2013	Isted	D21/551
D690,372 S *	9/2013	Fujiwara	D21/550
D792,524 S *	7/2017	Lee	D21/533
D837,307 S *	1/2019	Jin	D21/548
D842,388 S *	3/2019	Wang	D21/552

D926,264 S *	7/2021	Cai	D21/548
2001/0044255 A1 *	11/2001	Lee	A63H 17/004 446/469
2009/0149113 A1 *	6/2009	Lund	A63H 17/004 446/454
2011/0021112 A1 *	1/2011	Suzuki	A63H 17/262 446/465
2014/0065926 A1 *	3/2014	Rehkemper	A63H 17/004 446/454

(Continued)

FOREIGN PATENT DOCUMENTS

CN	306072668	*	9/2020
CN	306369054	*	3/2021

(Continued)

OTHER PUBLICATIONS

Remote Control Stunt Gesture RC Car Toy, available in Amazon.com, [online], [site visited Sep. 13, 2021], Available from the internet URL: <https://www.amazon.com/Control-Gesture-360%C2%B0Flip-Rotating-Four-Wheel/dp/B09B2BCB9G/> (Year: 2021).*

(Continued)

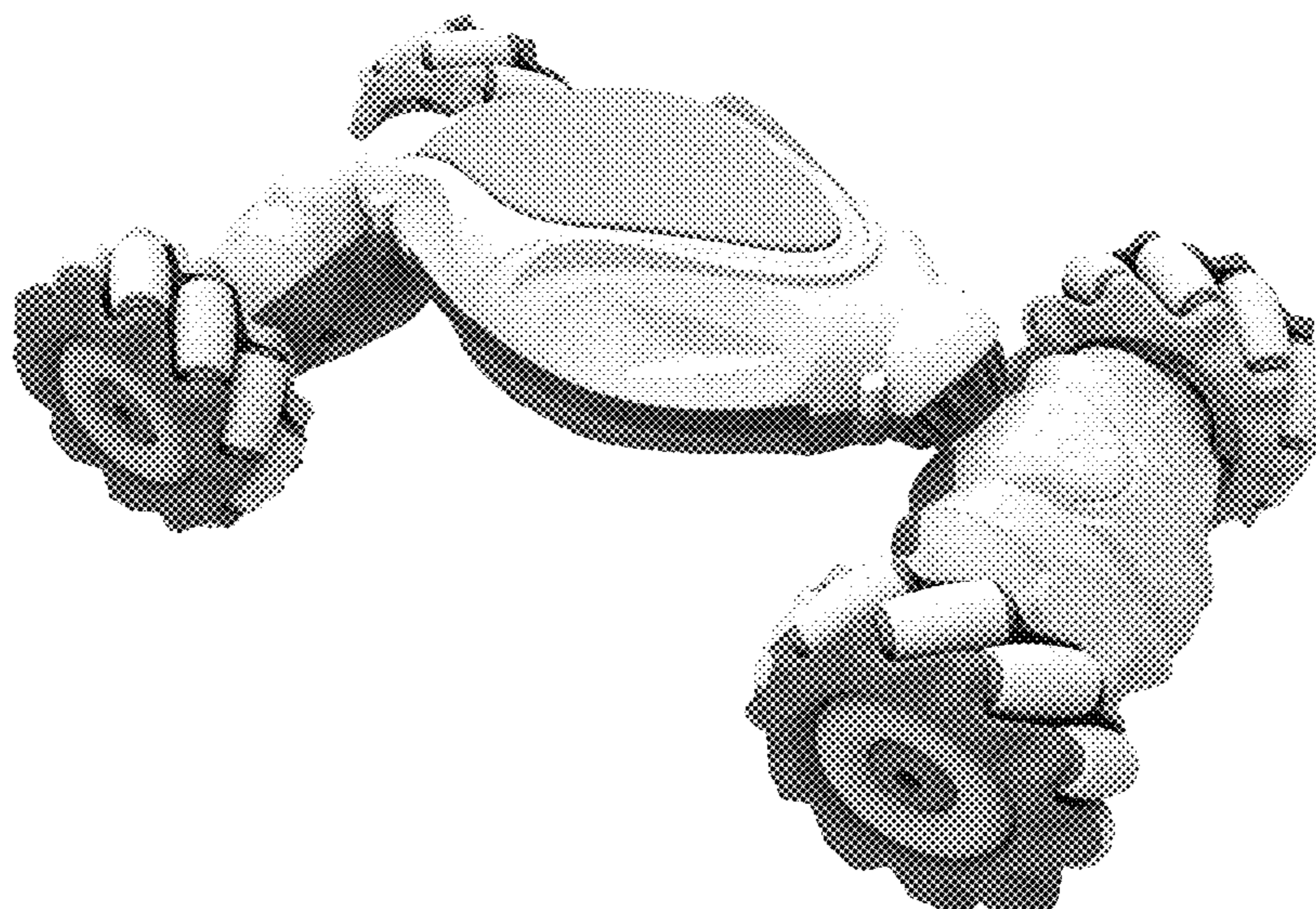
Primary Examiner — Amy C Wierenga
Assistant Examiner — Emily Anna Saunders
(57) **CLAIM**

The ornamental design for a remote control car, as shown and described.

DESCRIPTION

FIG. 1 is a perspective view of a remote control car showing my new design;
FIG. 2 is another perspective view thereof;
FIG. 3 is another perspective view thereof;
FIG. 4 is a front elevational view thereof;
FIG. 5 is a rear elevational view thereof;
FIG. 6 is a left side elevational view thereof;
FIG. 7 is a right side elevational view thereof;
FIG. 8 is a top plan view thereof; and,
FIG. 9 is a bottom plan view thereof.

1 Claim, 9 Drawing Sheets



(56)

References Cited

U.S. PATENT DOCUMENTS

2018/0126290 A1* 5/2018 Hodge B60G 7/02
2018/0229135 A1* 8/2018 Cao A63H 30/04

FOREIGN PATENT DOCUMENTS

CN 306697173 * 7/2021
CN 306787440 * 8/2021
EP EU-008149918-0001 * 8/2020
GB 9008149918-0001 * 8/2020

OTHER PUBLICATIONS

Enfudid 2.4G Remote Control Stunt Car, available in Amazon.com, [online], [site visited Sep. 13, 2021], Available from the internet URL: <https://www.amazon.com/Enfudid-Control-Induction-Deformed-Off-Road/dp/B09FLFJMRG/> (Year: 2021).*

Remote Control Car, available in Amazon.com, customer review oldest Apr. 9, 2021, [online], [site visited Sep. 13, 2021], Available from the internet URL: <https://www.amazon.com/Remote-Control-Car-Rotating-Batteries/dp/B08TQKFG37/> (Year: 2021).*

GDFDC 360°Rotating All-Terrain High-Speed RC Car, available in Amazon.com, [online], [site visited Sep. 13, 2021], Available from the internet URL: <https://www.amazon.com/dp/B09G371MTL/> (Year: 2021).*

NiCuZnGa Gesture Sensor RC Stunt Car, available in Amazon.com, customer review oldest Jan. 30, 2021, [online], [site visited Sep. 13, 2021], Available from the internet URL: <https://www.amazon.com/NiCuZnGa-Gesture-Rotating-Twisting-Deformation/dp/B08QV3MR2M/> (Year: 2021).*

* cited by examiner

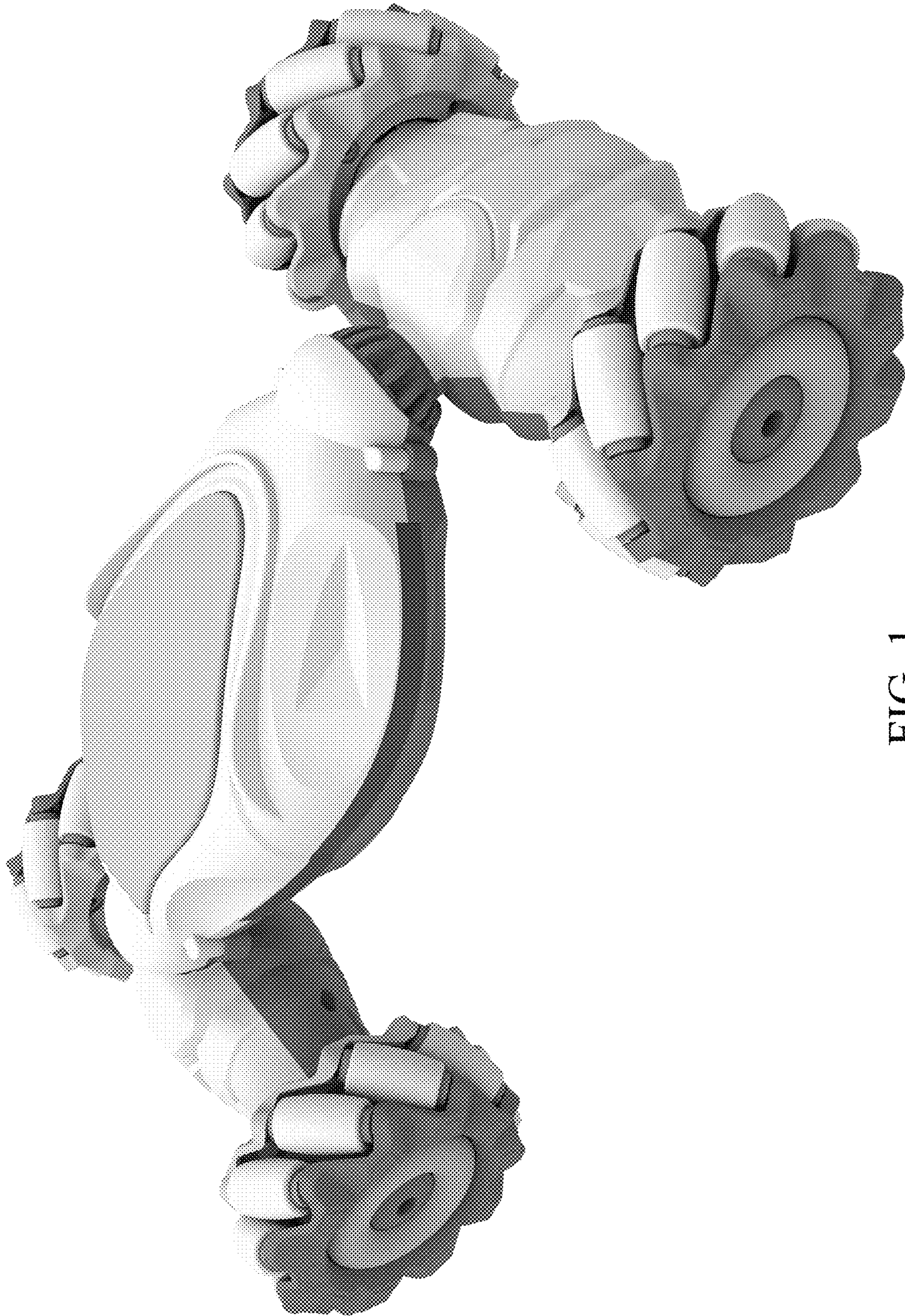


FIG. 1

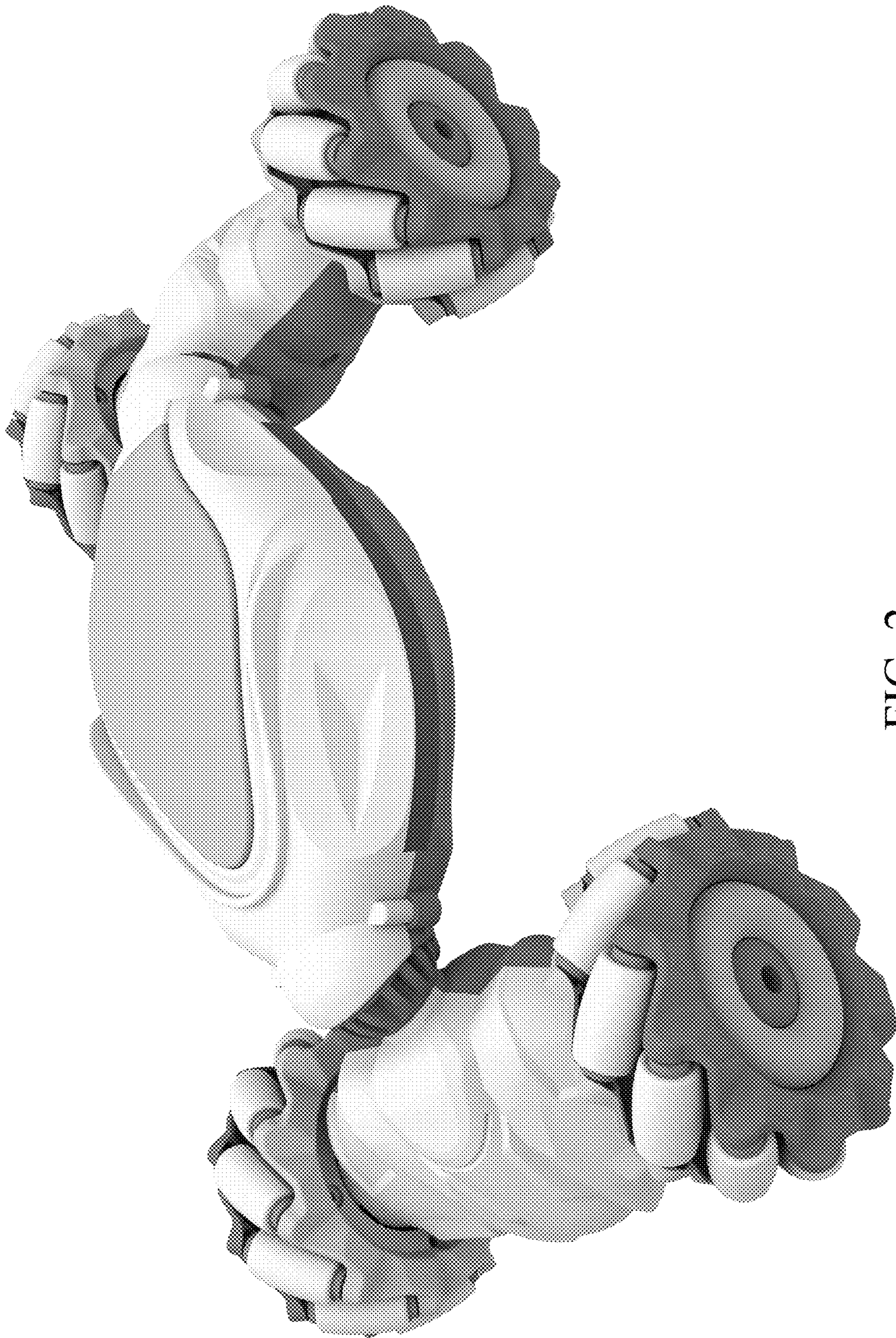


FIG. 2

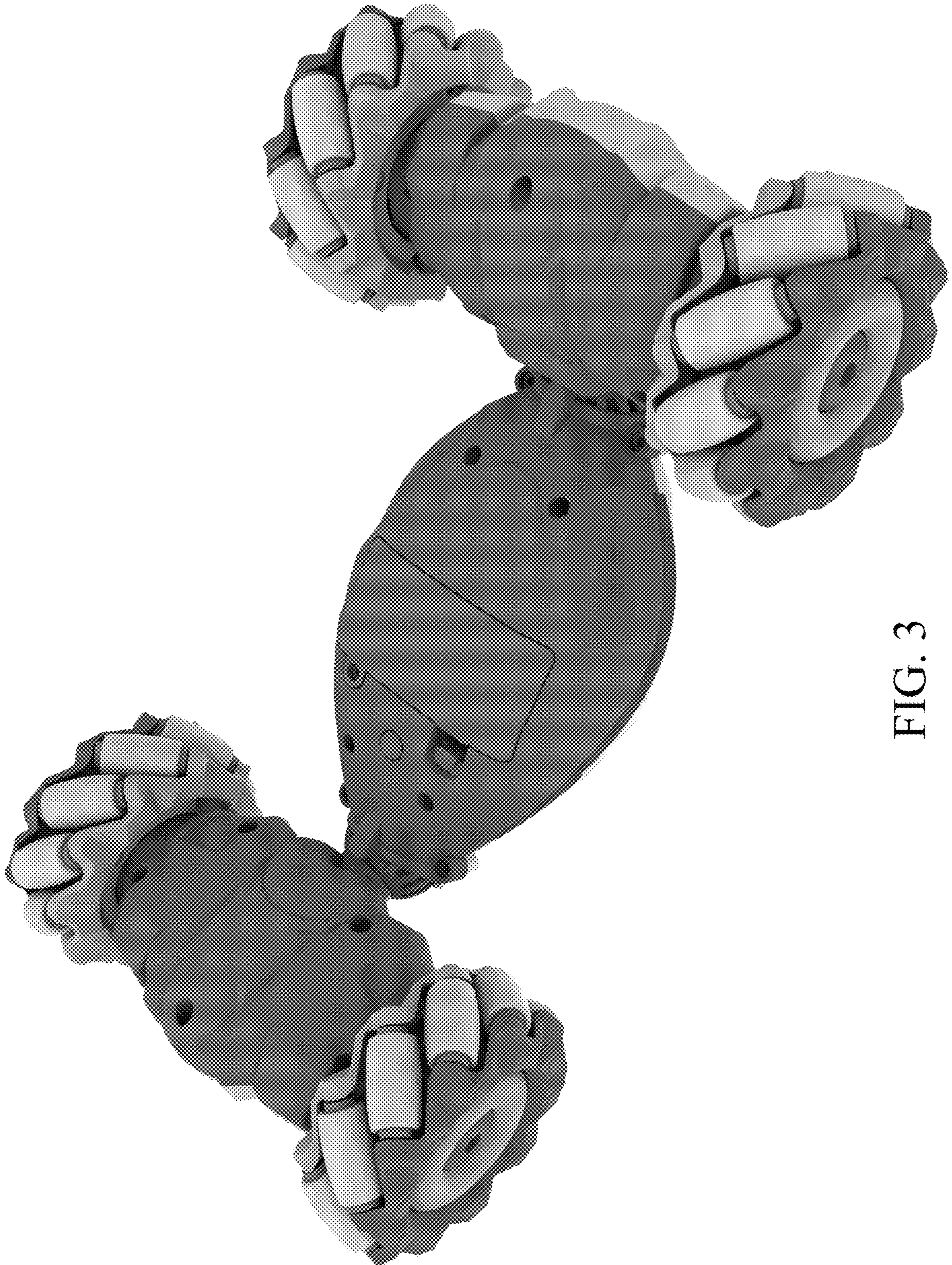


FIG. 3

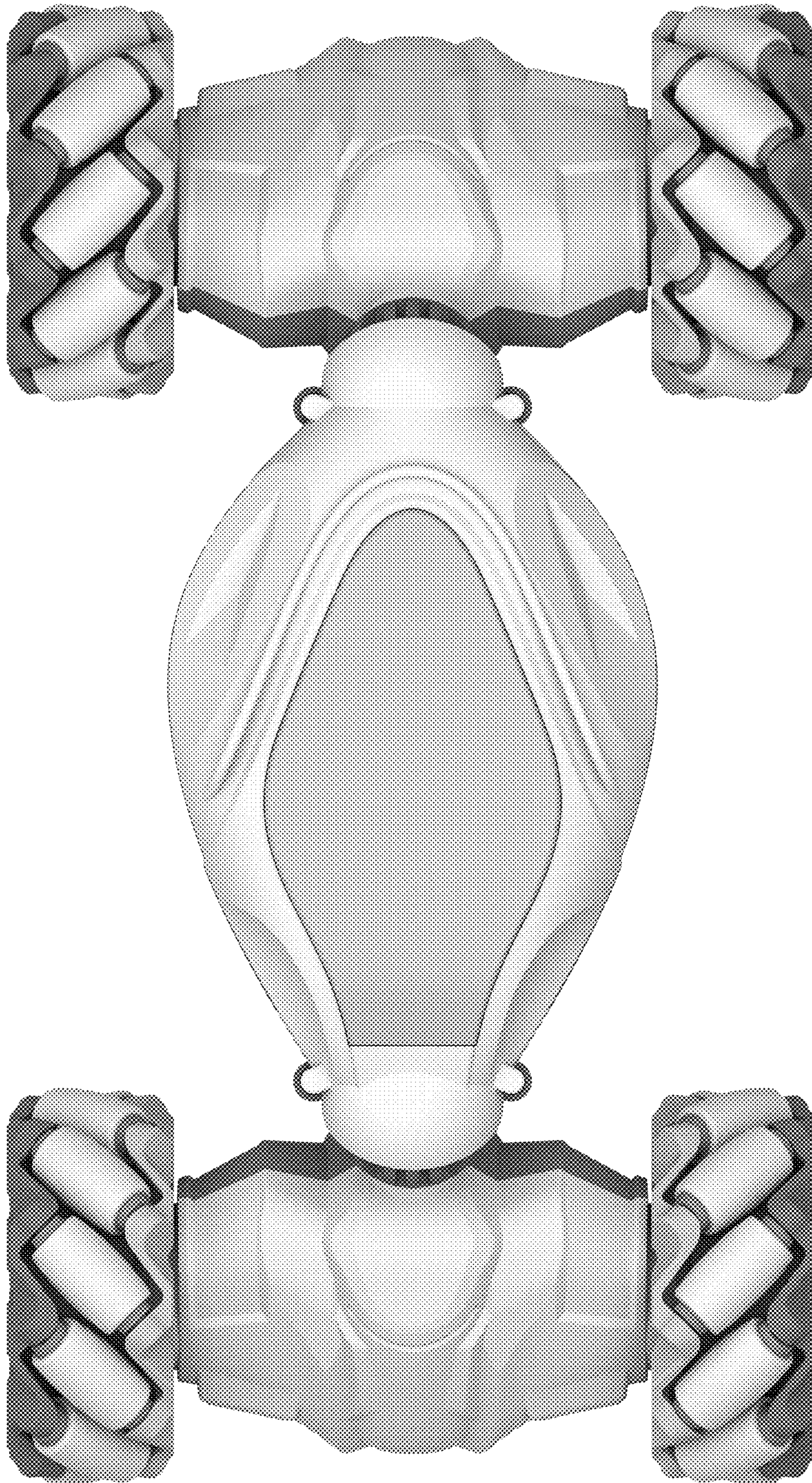


FIG. 4

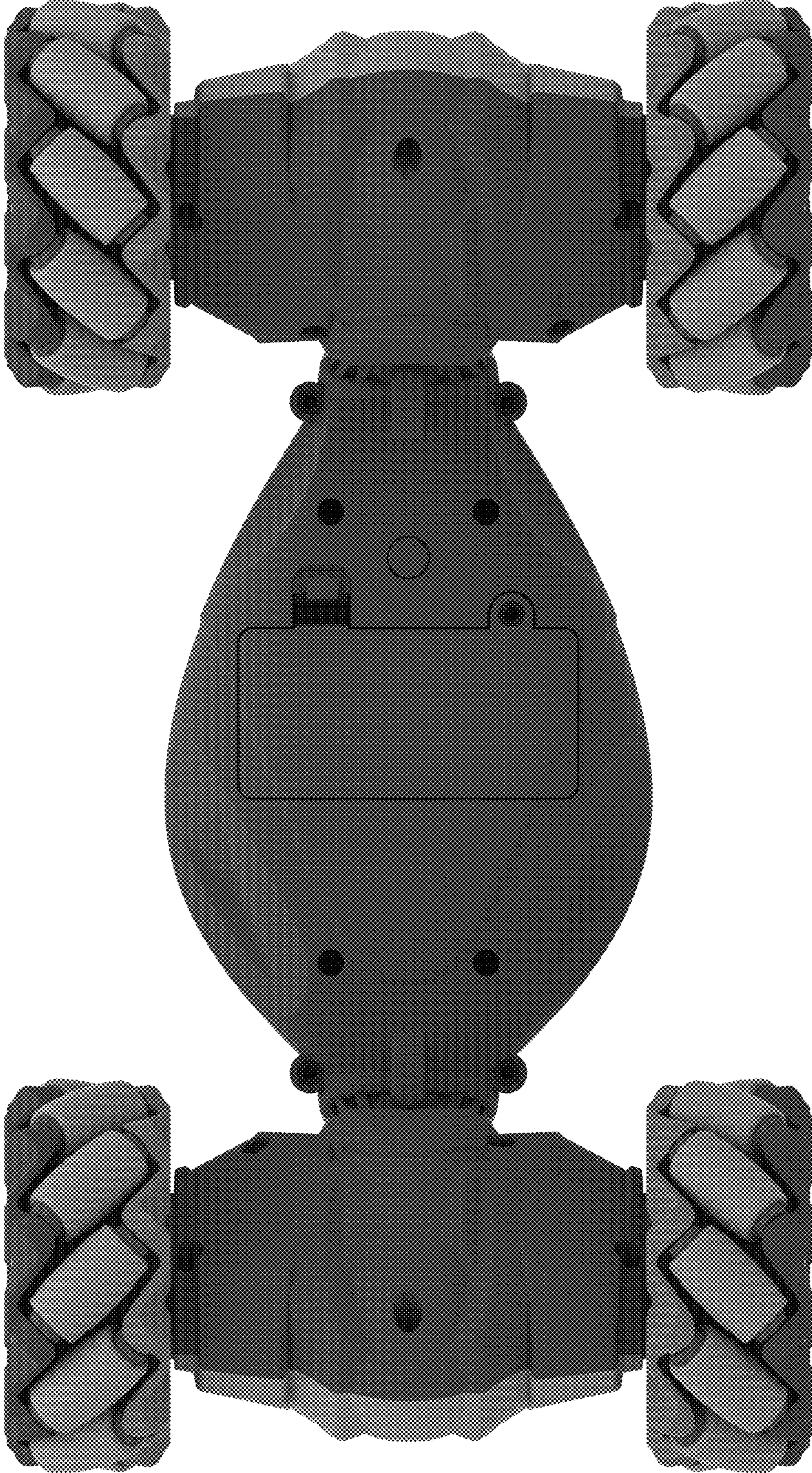


FIG. 5

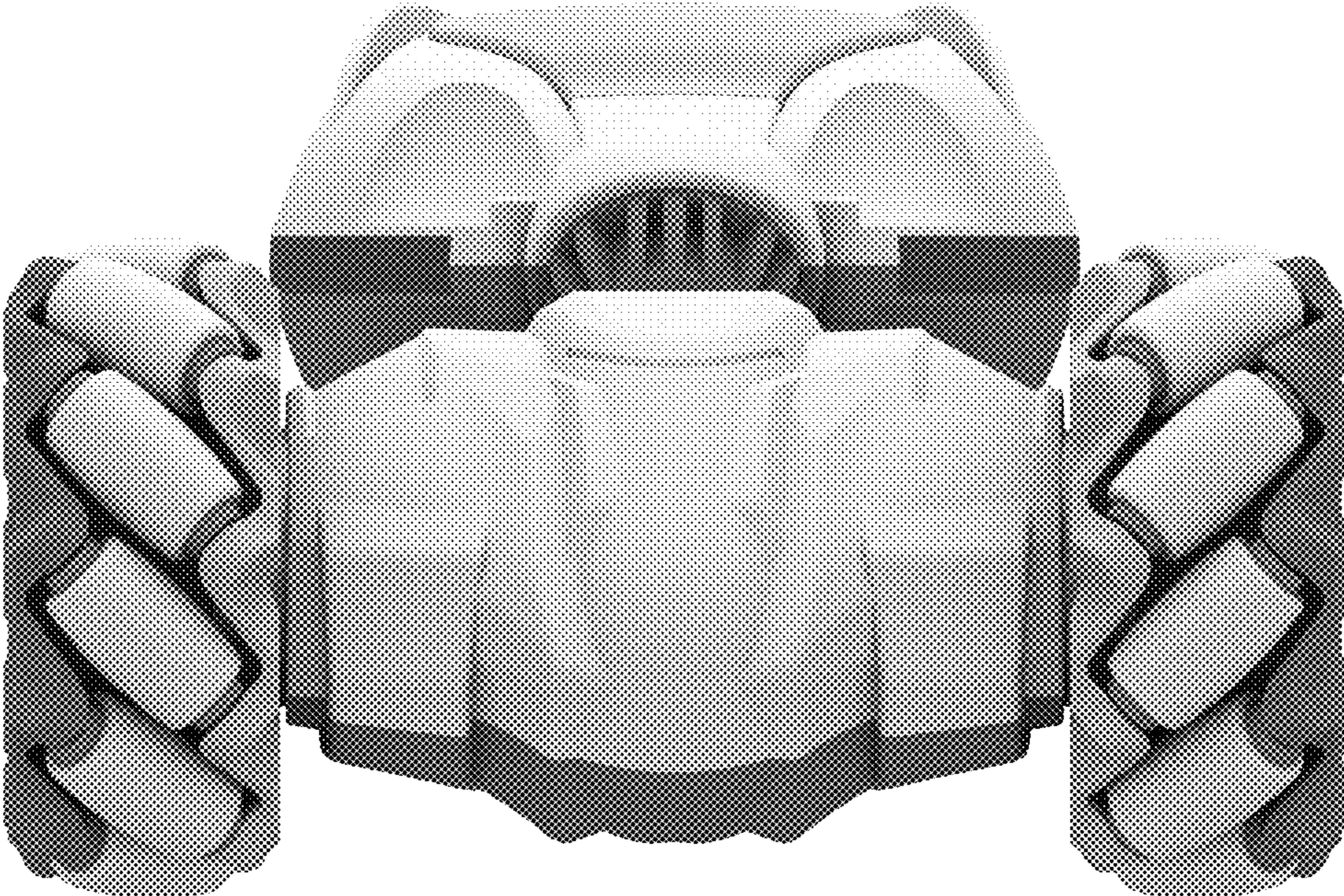


FIG. 6

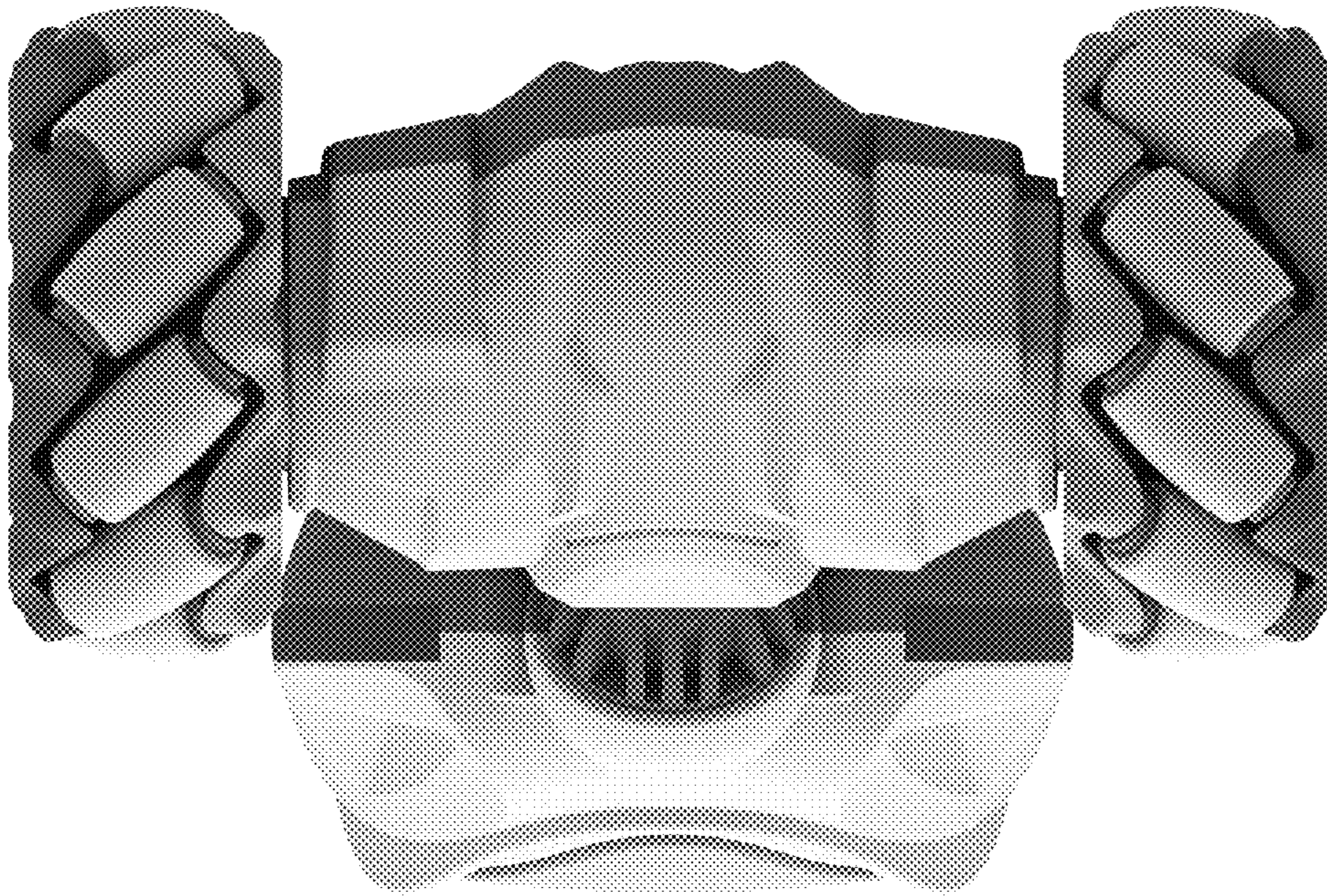


FIG. 7

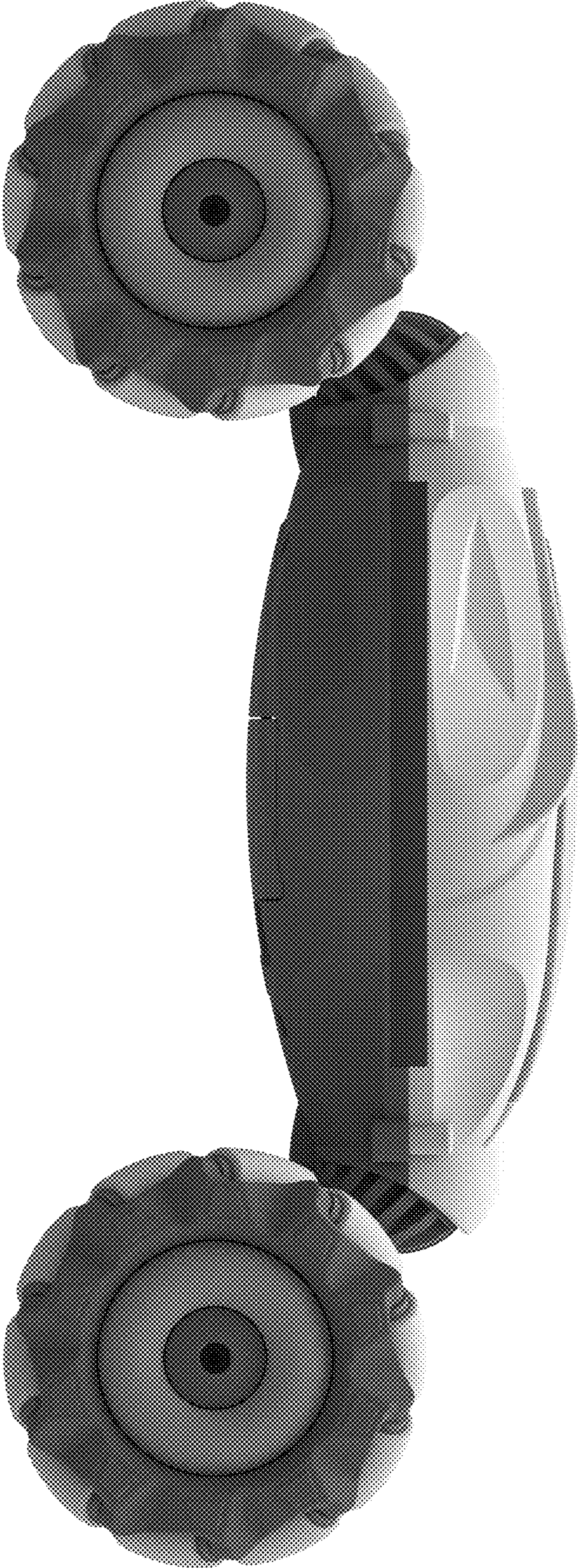


FIG. 8



FIG. 9