



US00D944893S

(12) **United States Design Patent** (10) **Patent No.:** **US D944,893 S**
Mita (45) **Date of Patent:** **** Mar. 1, 2022**

(54) **PRINTER**

(71) Applicant: **BROTHER INDUSTRIES, LTD.**,
Nagoya (JP)

(72) Inventor: **Masayoshi Mita**, Nagoya (JP)

(73) Assignee: **BROTHER INDUSTRIES, LTD.**,
Nagoya (JP)

(**) Term: **15 Years**

(21) Appl. No.: **29/710,439**

(22) Filed: **Oct. 23, 2019**

(30) **Foreign Application Priority Data**

Apr. 23, 2019 (JP) 2019-009020

(51) **LOC (13) Cl.** **14-02**

(52) **U.S. Cl.**
USPC **D18/53**

(58) **Field of Classification Search**
USPC D18/4.1, 4.4, 4.6, 37, 38, 39, 50, 53, 54,
D18/55, 59; D14/300, 301, 302, 307
CPC ... H04N 2201/0094; H04N 2201/0081; H04N
1/00278
See application file for complete search history.

(56) **References Cited**

U.S. PATENT DOCUMENTS

D405,110 S * 2/1999 Yamamoto D18/54
D818,534 S * 5/2018 Mita D18/55
D820,906 S * 6/2018 Brown D18/50
D822,100 S * 7/2018 Brown D18/50
D868,149 S * 11/2019 Mita D18/55
D868,150 S * 11/2019 Inada D18/55
D868,152 S * 11/2019 Inada D18/56
D868,153 S * 11/2019 Mita D18/56
D886,823 S * 6/2020 Peng D14/422

OTHER PUBLICATIONS

Brother HL-L8360CDW—pp. 1,7—Date Mar. 3, 2017—Amazon.
com—29710439 Amazon.com: Brother Business Color Laser Printer,

HL-L8360CDW, Wireless Networking, Automatic Duplex Printing,
Mobile Printing, Cloud printing, Amazon Dash Replenishment
Ready : Office Products (Year: 2017).*

* cited by examiner

Primary Examiner — Jennifer L Rempfer
Assistant Examiner — Danielle Nichole Bowly

(74) *Attorney, Agent, or Firm* — Oliff PLC

(57) **CLAIM**

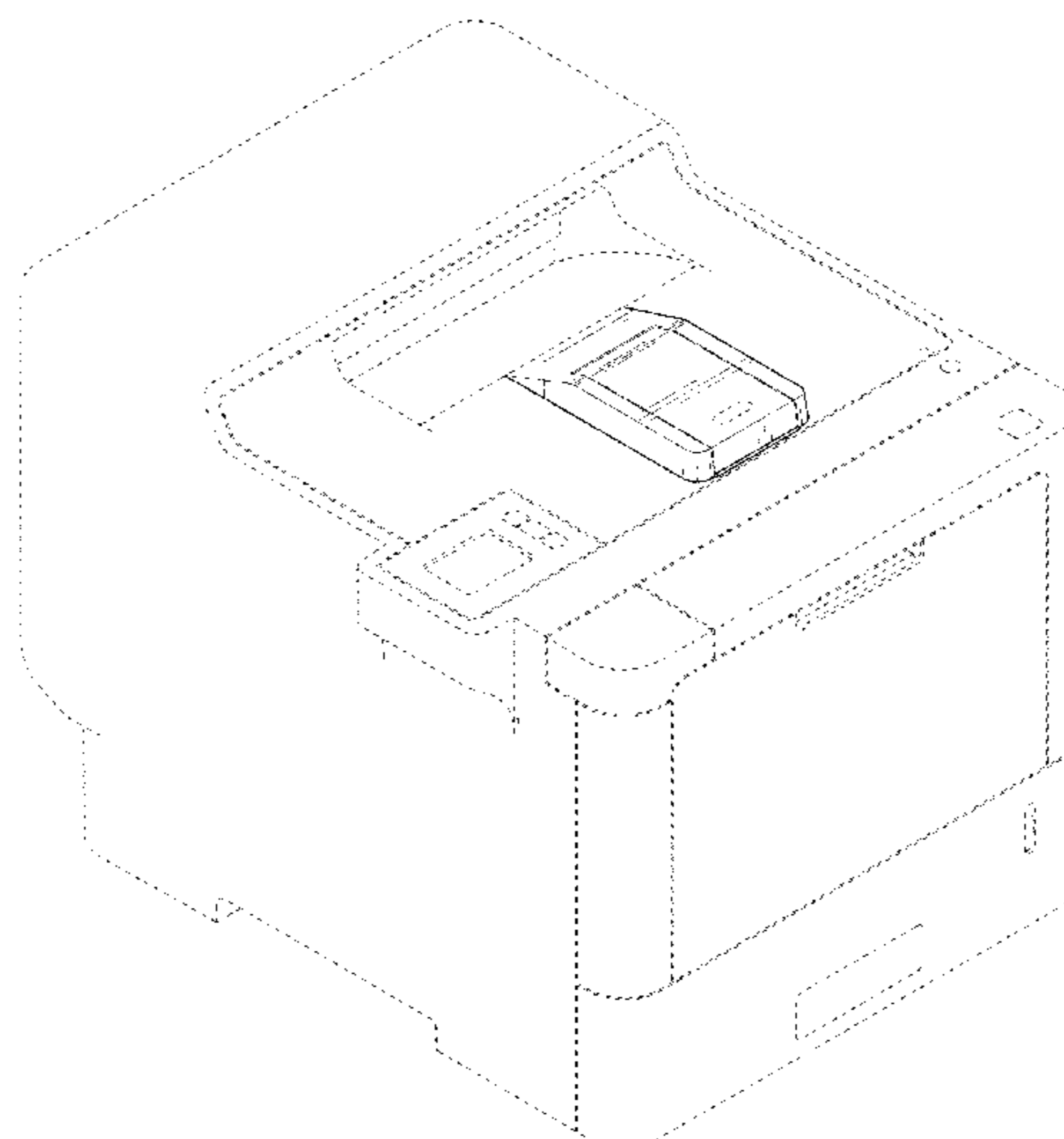
The ornamental design for a printer, as shown and described.

DESCRIPTION

FIG. 1 is a perspective view of a printer;
FIG. 2 is a front elevational view thereof;
FIG. 3 is a top plan view thereof;
FIG. 4 is a left-side elevational view thereof;
FIG. 5 is a right-side elevational view thereof;
FIG. 6 is a rear elevational view thereof;
FIG. 7 is a bottom plan view thereof;
FIG. 8 is a perspective view thereof showing an alternative
position;
FIG. 9 is a front elevational view thereof showing the
alternative position;
FIG. 10 is a right-side elevational view thereof showing the
alternative position;
FIG. 11 is a detail view of the portion indicated as “11” in
FIG. 8;
FIG. 12 is a detail view of the portion indicated as “12” in
FIG. 9; and,
FIG. 13 is a detail view of the portion indicated as “13” in
FIG. 10.

The evenly spaced broken lines depict unclaimed parts of
the printer and form no part of the claimed design. The
dot-dash chain lines forming rectangular shaped boxes
around certain portions of FIGS. 8, 9 and 10 depict areas
shown as detail views in FIGS. 11, 12 and 13, and form no
part of the claimed design.

1 Claim, 13 Drawing Sheets



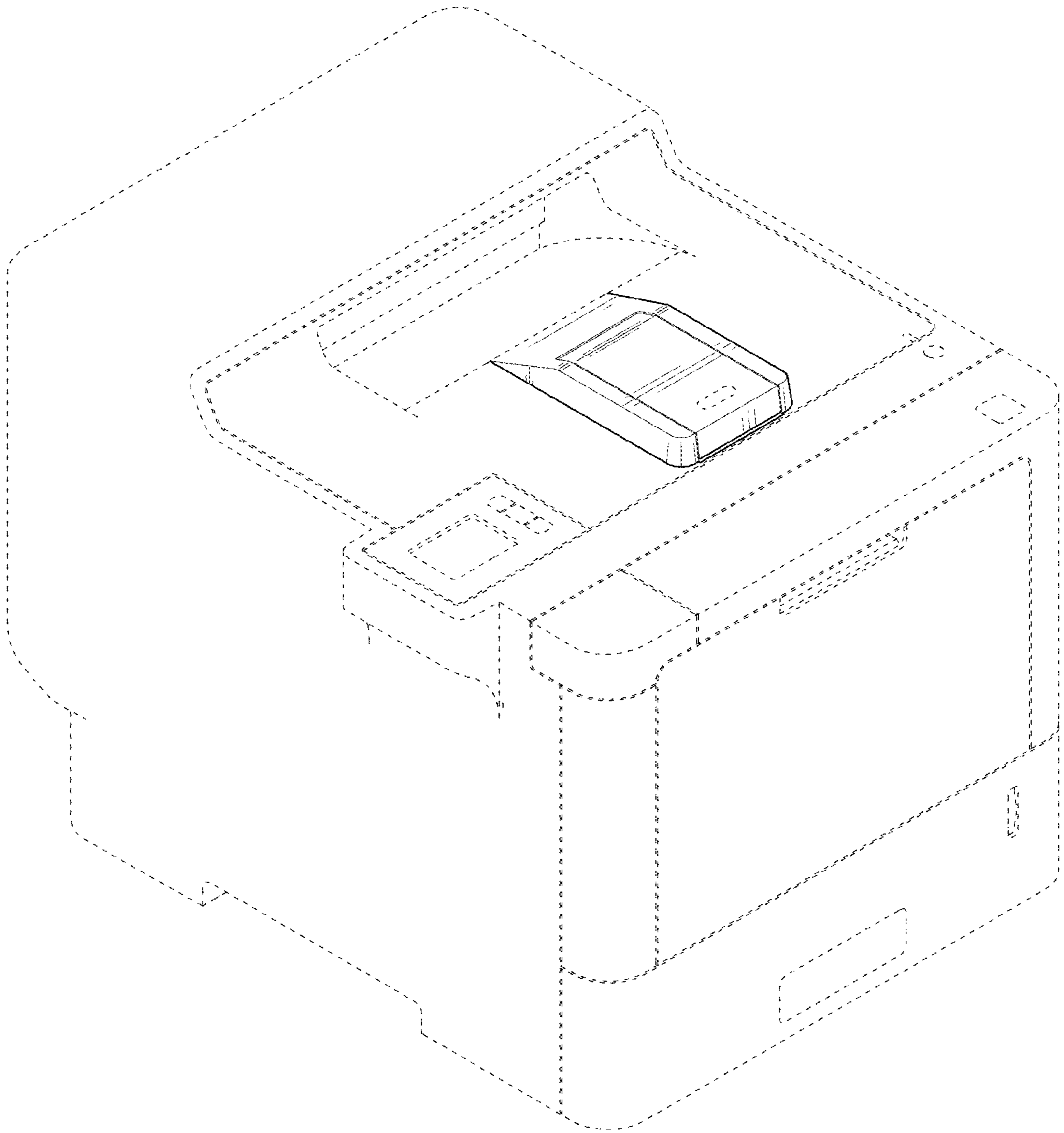


FIG. 1

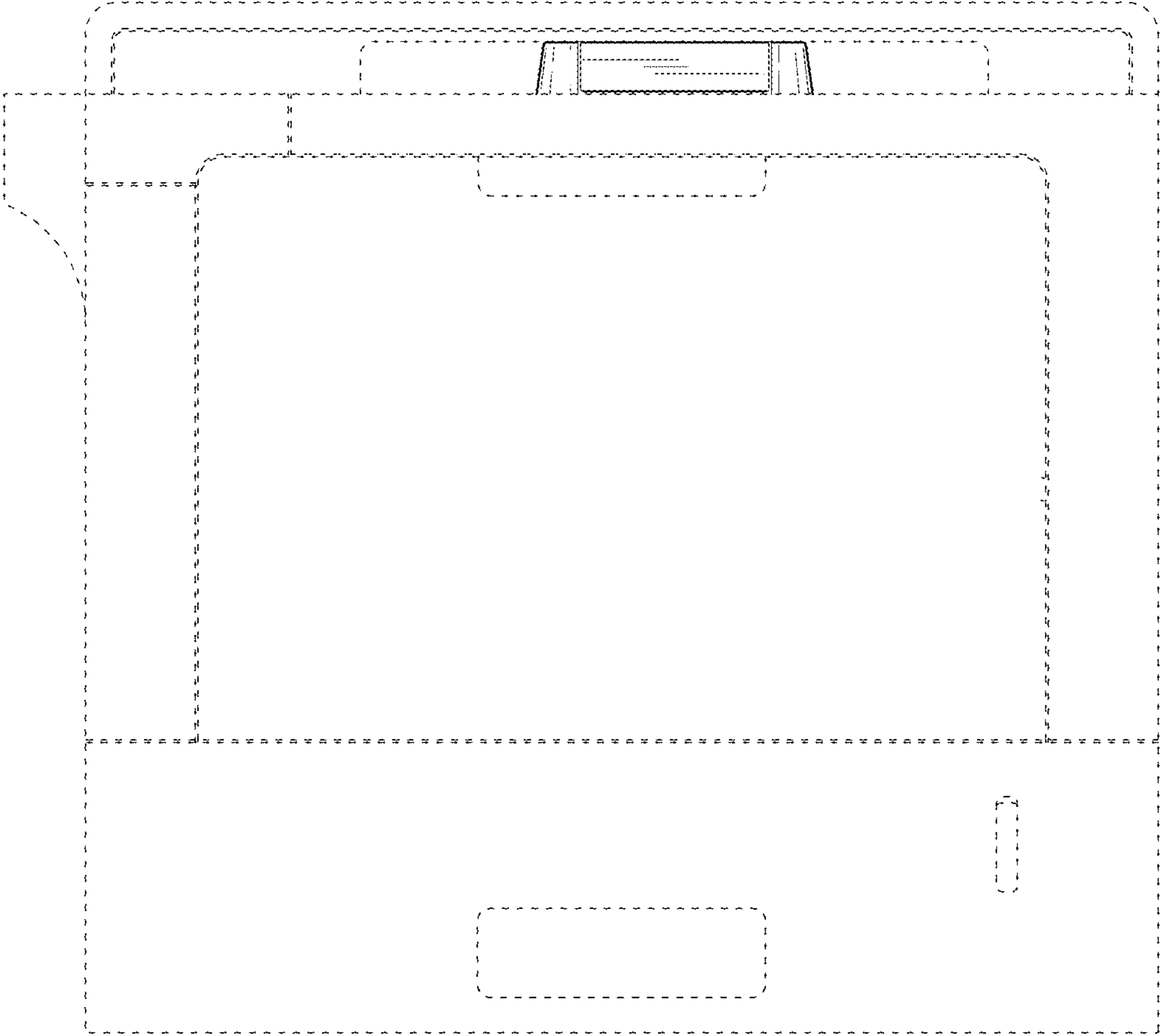


FIG. 2

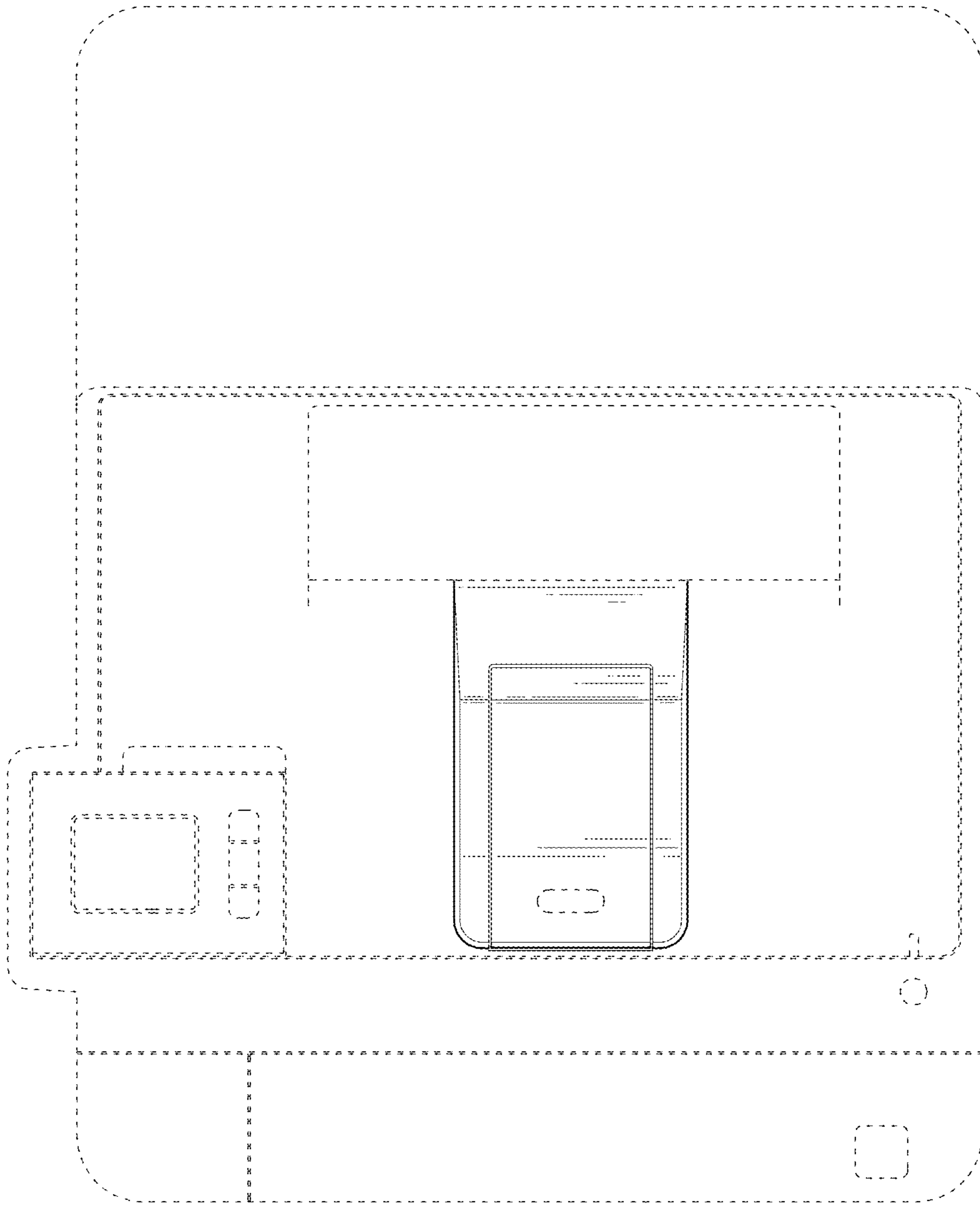


FIG. 3

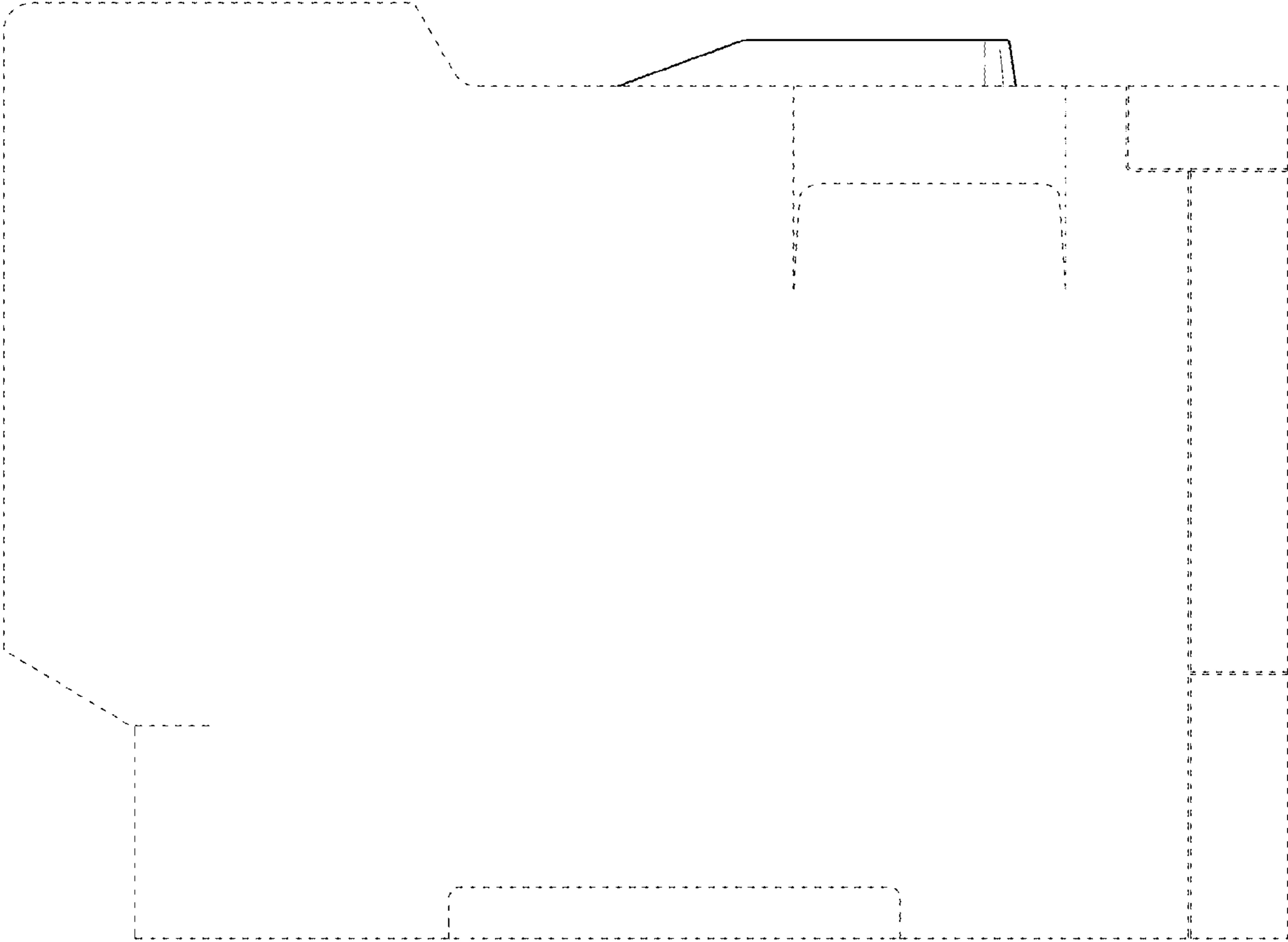


FIG. 4

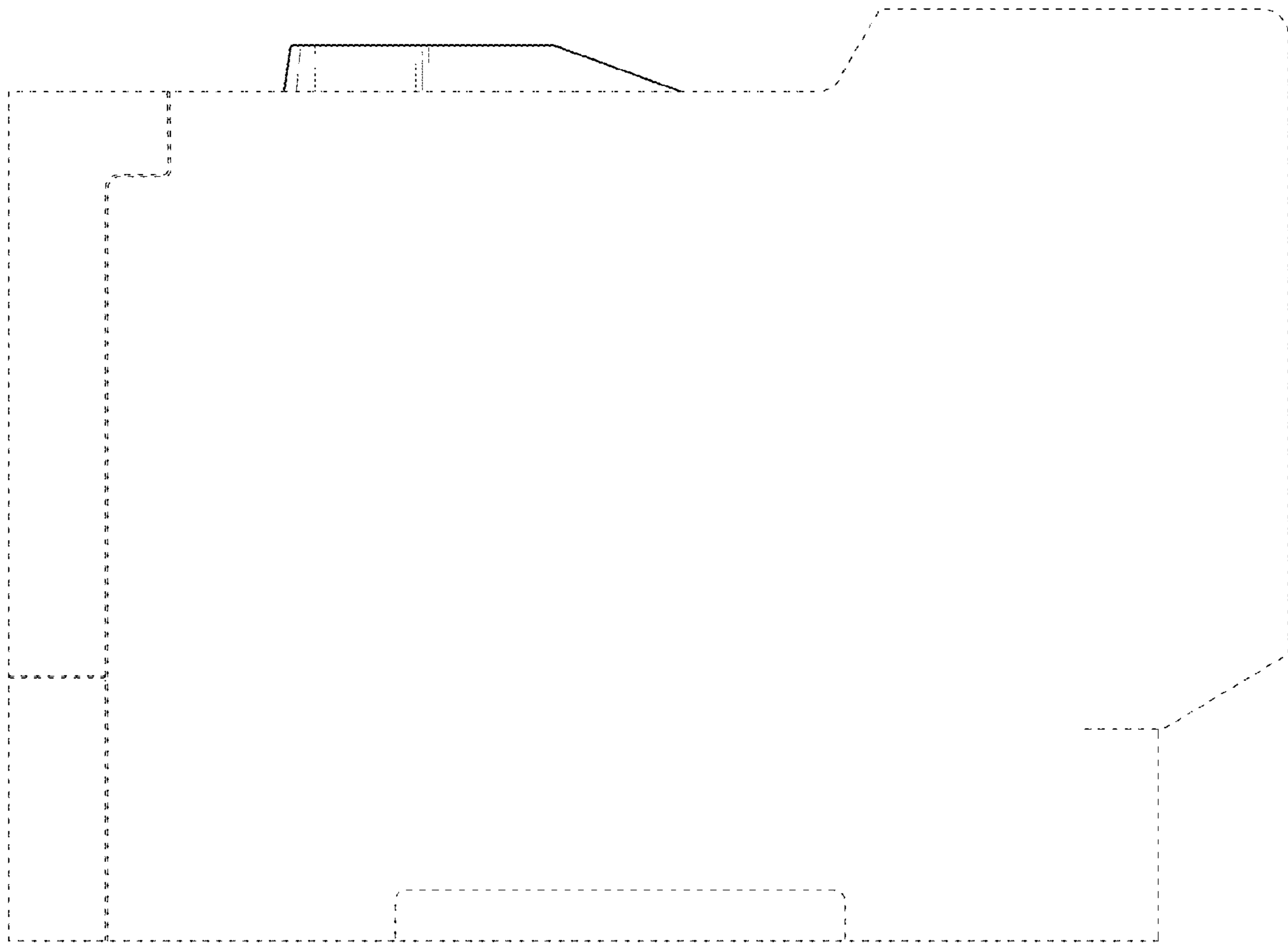


FIG. 5



FIG. 6

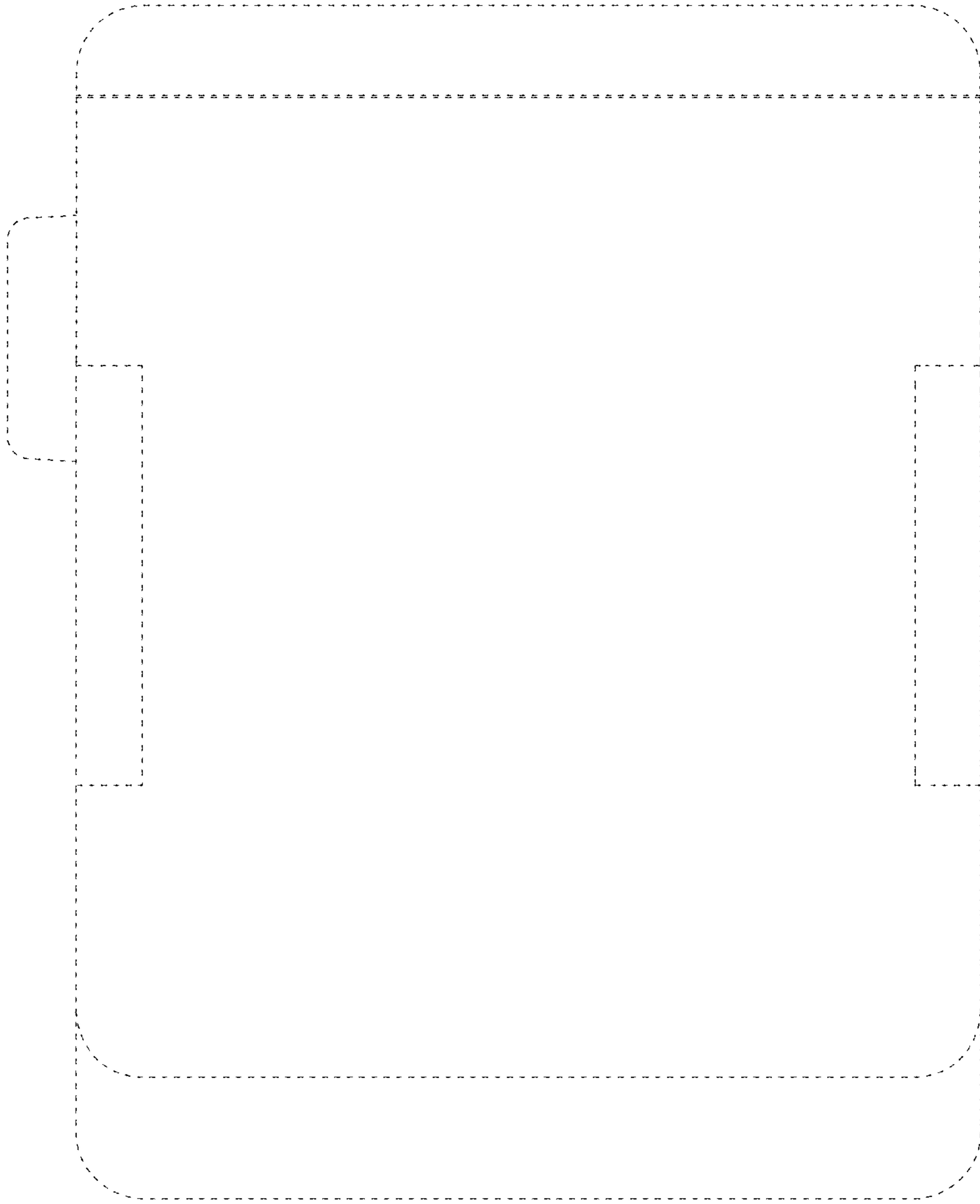


FIG. 7

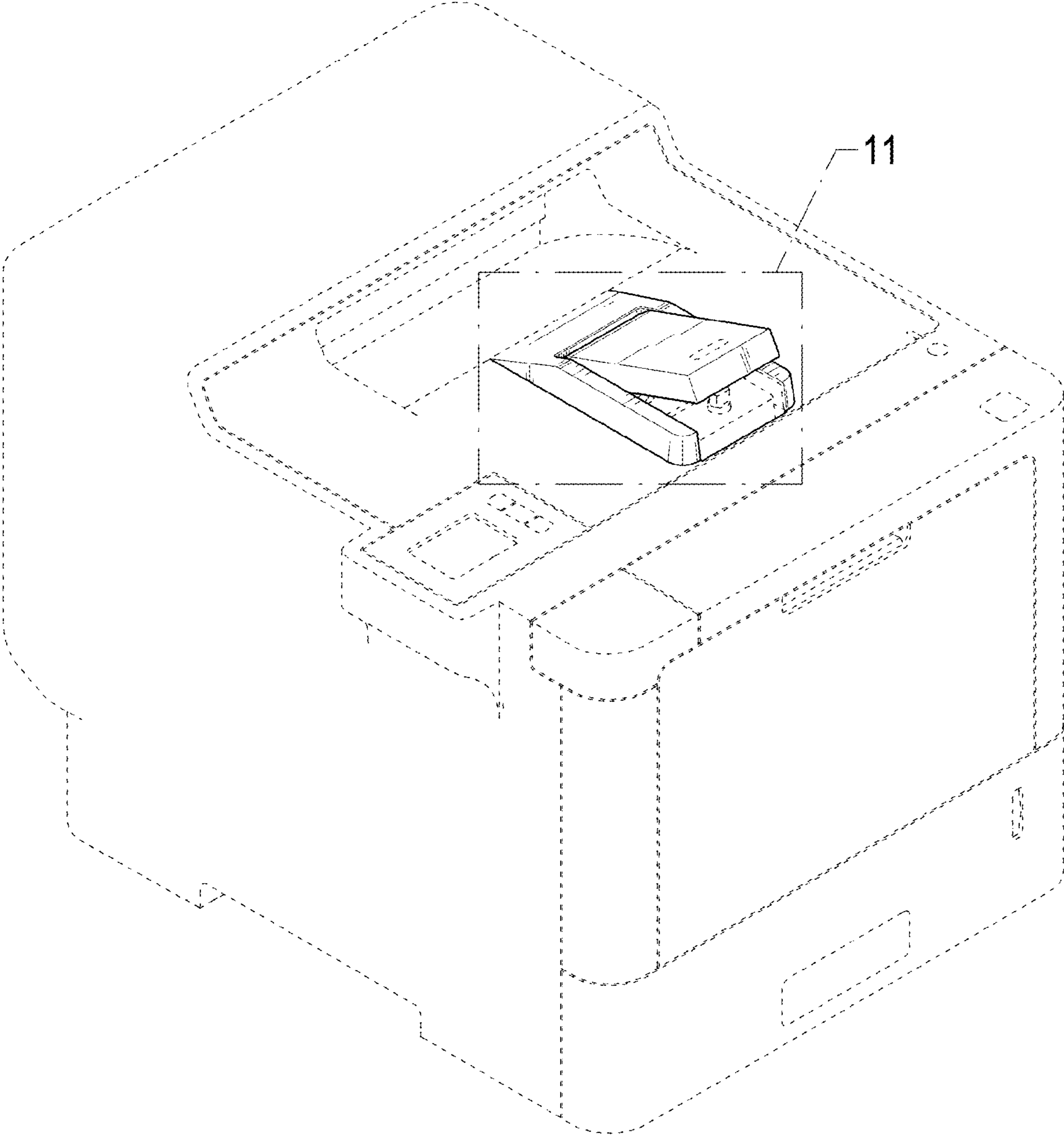


FIG. 8

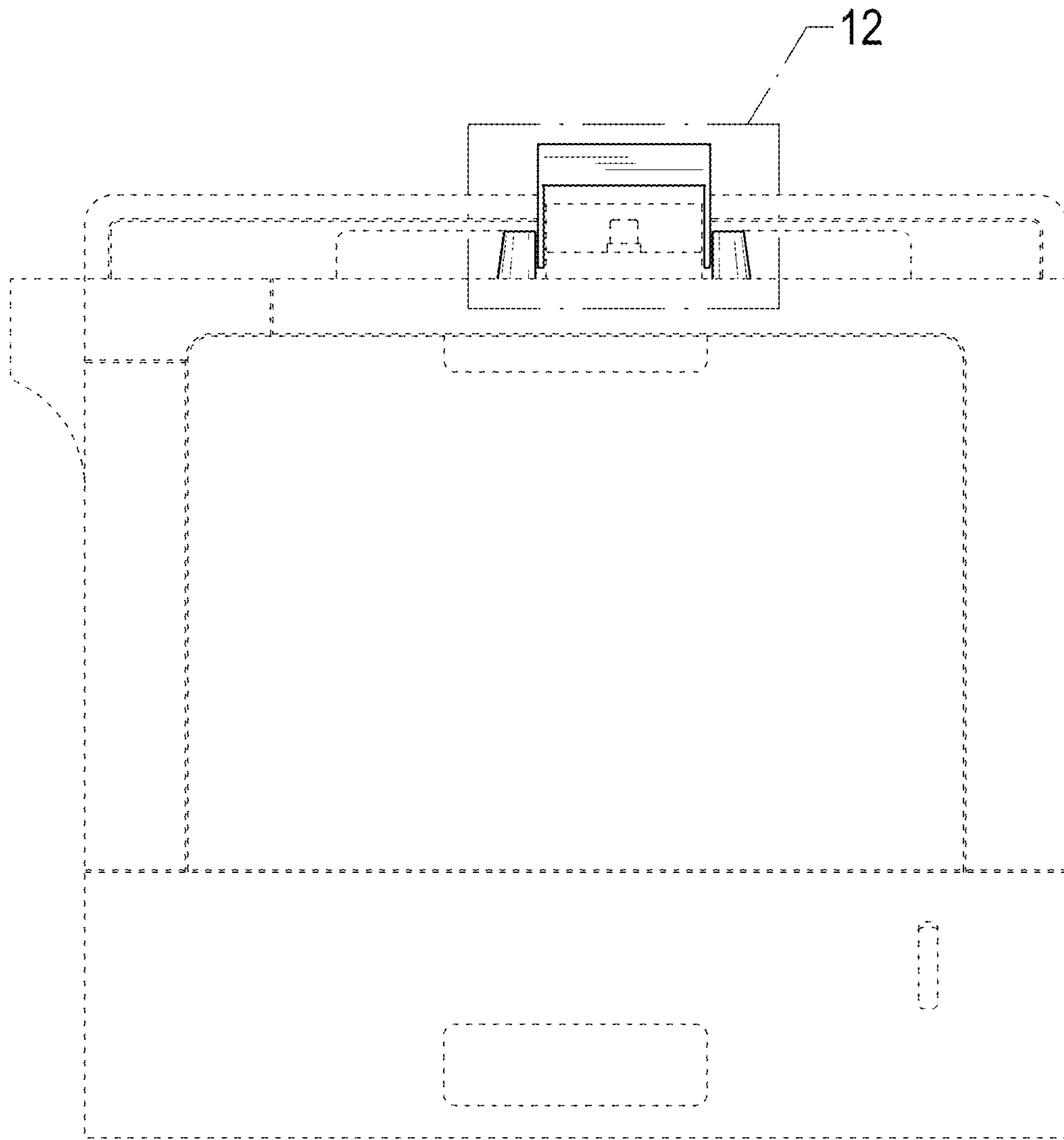


FIG. 9

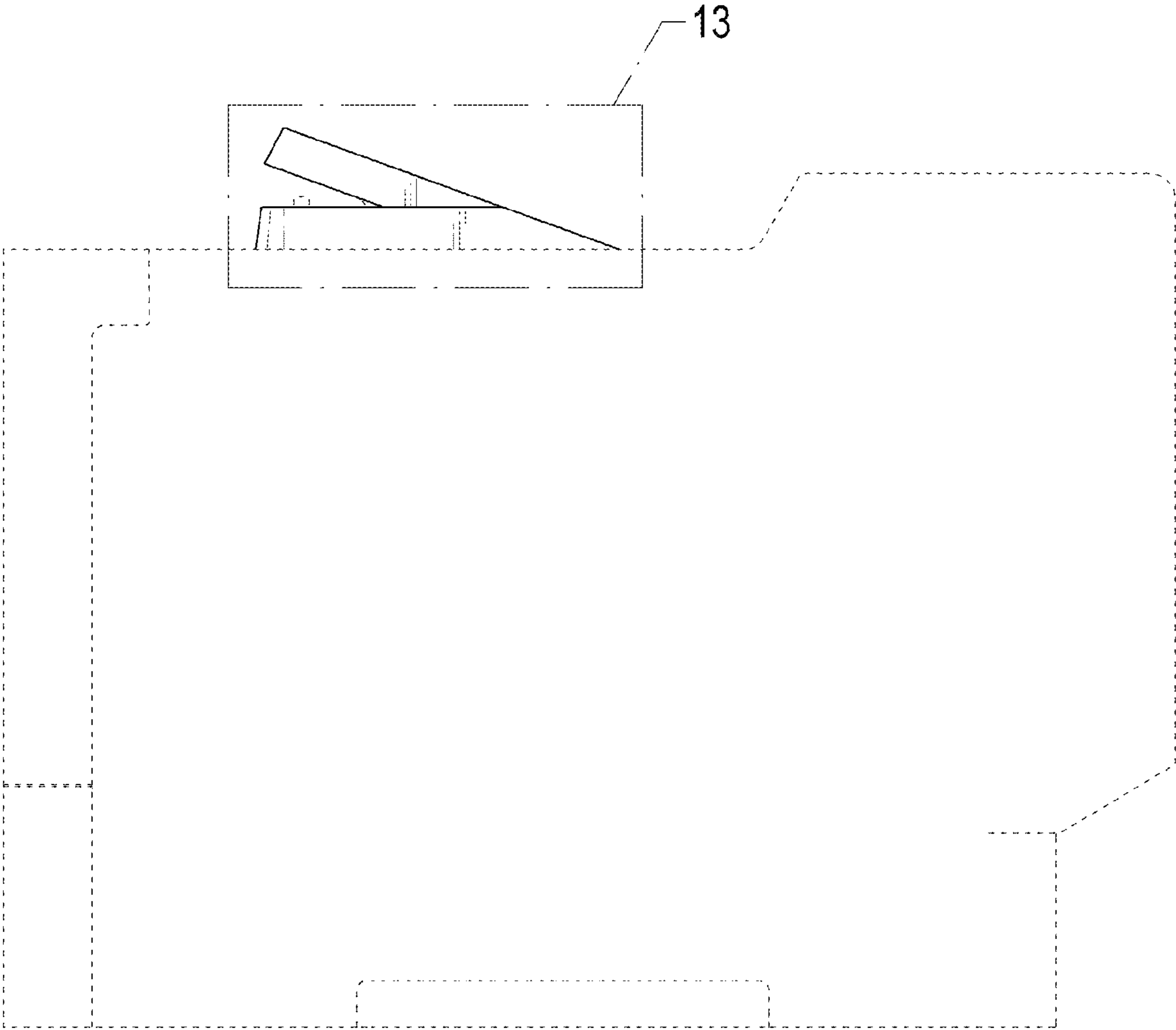


FIG. 10

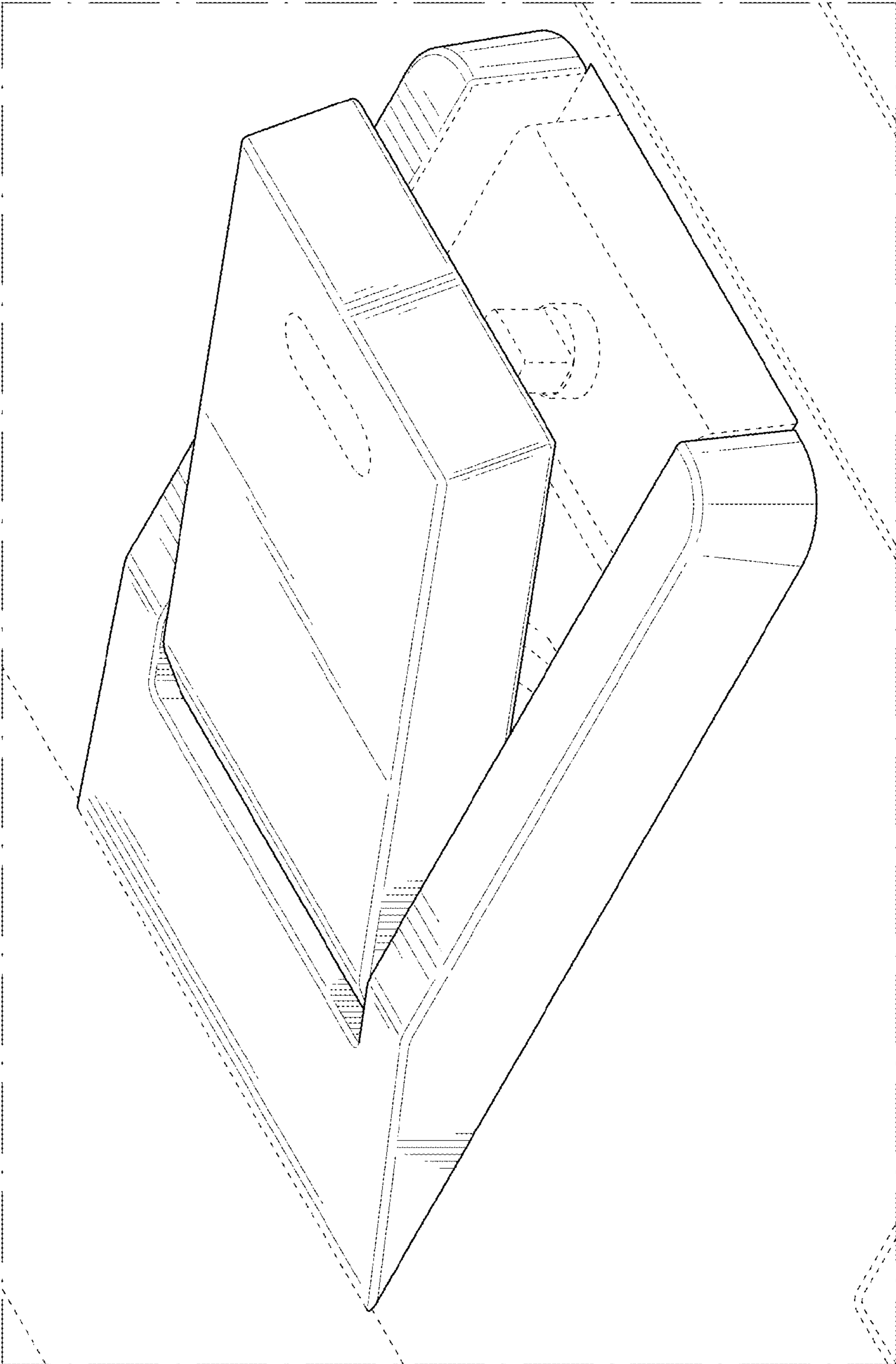


FIG. 11

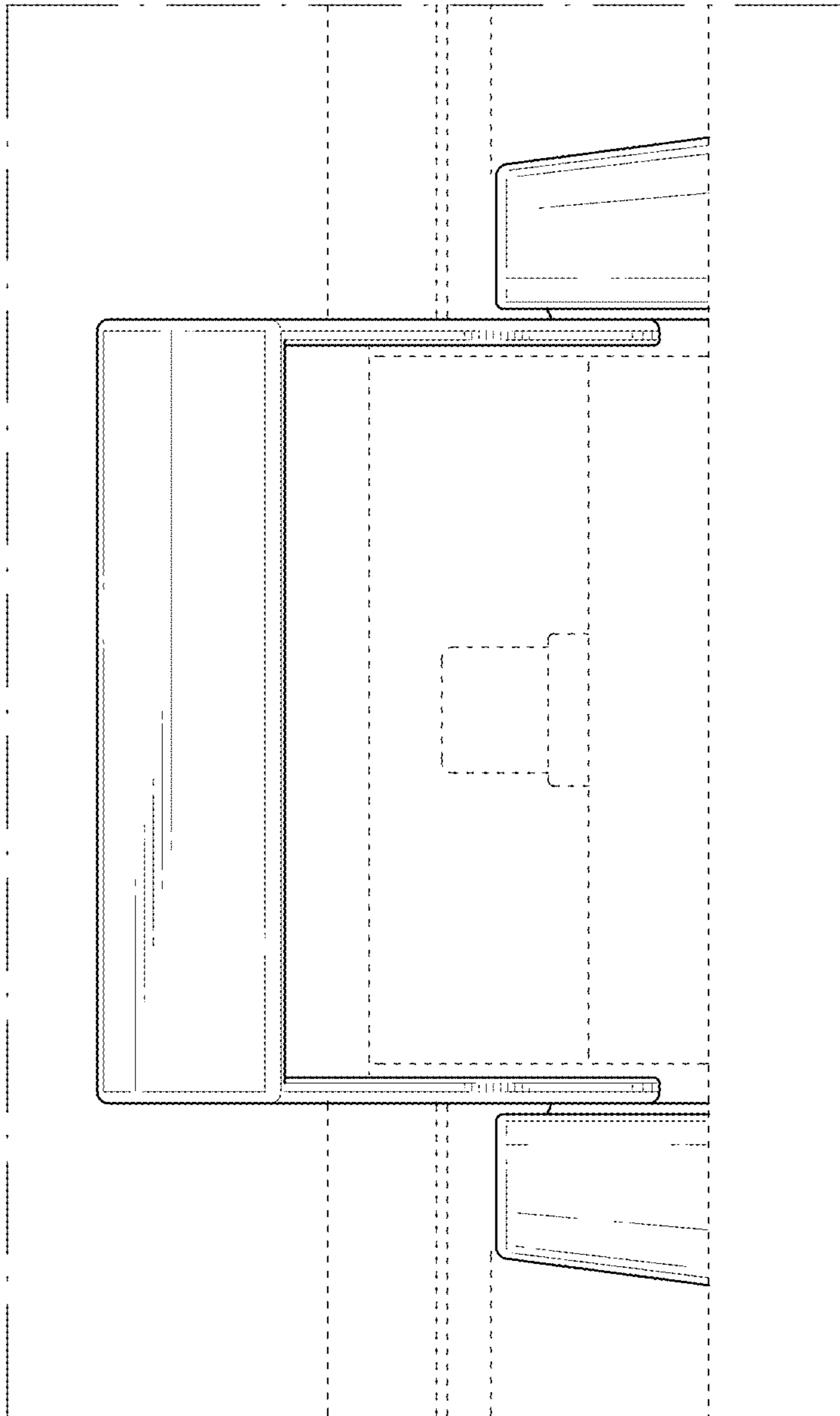


FIG. 12

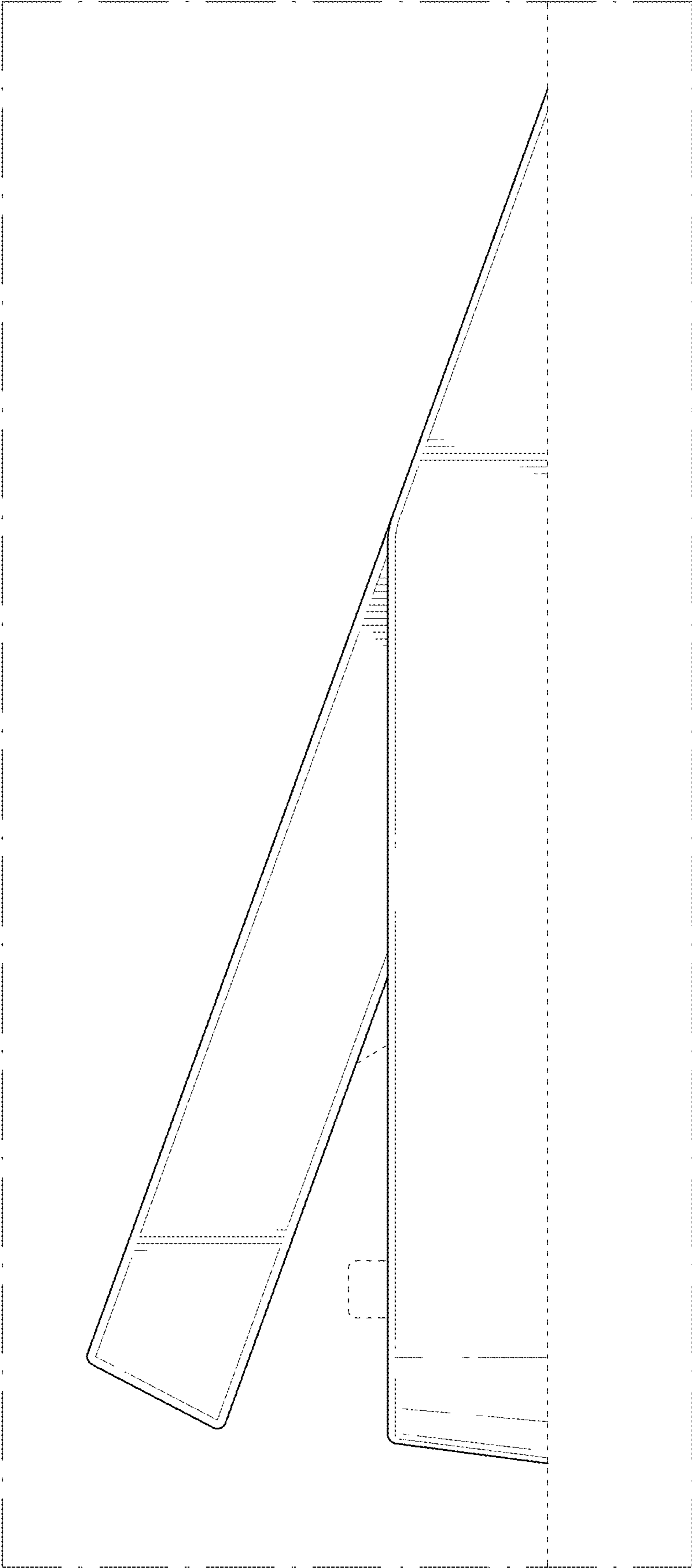


FIG. 13