



US00D944892S

(12) **United States Design Patent** (10) **Patent No.:** **US D944,892 S**
Inada (45) **Date of Patent:** **** Mar. 1, 2022**

(54) **PRINTER**
(71) Applicant: **BROTHER INDUSTRIES, LTD.**,
Nagoya (JP)
(72) Inventor: **Toshiya Inada**, Nagoya (JP)
(73) Assignee: **BROTHER INDUSTRIES, LTD.**,
Nagoya (JP)

D806,162 S * 12/2017 Tashima D18/50
D810,194 S * 2/2018 Kim D18/50
D824,455 S * 7/2018 Inada D18/50
D826,319 S * 8/2018 Inada D18/50
D838,771 S * 1/2019 Kim D18/50
2004/0131378 A1* 7/2004 Hattori G03G 15/80
399/90
2007/0014620 A1* 1/2007 Sugimoto B41J 29/02
400/691

(**) Term: **15 Years**
(21) Appl. No.: **29/708,216**
(22) Filed: **Oct. 4, 2019**

(30) **Foreign Application Priority Data**
Apr. 4, 2019 (JP) 2019-007320
(51) **LOC (13) Cl.** **14-02**
(52) **U.S. Cl.**
USPC **D18/53**
(58) **Field of Classification Search**
USPC D18/4.1, 4.4, 4.6, 37, 38, 39, 50, 53, 54,
D18/55, 59; D14/300, 301, 302, 307
CPC ... H04N 2201/0094; H04N 2201/0081; H04N
1/00278
See application file for complete search history.

(56) **References Cited**
U.S. PATENT DOCUMENTS
D534,209 S * 12/2006 Yamaguchi D18/55
D534,579 S * 1/2007 Yamaguchi D18/55
D535,325 S * 1/2007 Yamaguchi D18/55
D643,058 S * 8/2011 Seki D18/55
D653,703 S * 2/2012 Seki D18/55
D653,704 S * 2/2012 Seki D18/55
D723,616 S * 3/2015 Nakagawa D18/55
D786,343 S * 5/2017 Kil D18/55
D786,348 S * 5/2017 Mita D18/56

OTHER PUBLICATIONS

Brother HL-L3210CW—pp. 1,7—Date Aug. 7, 2018—Amazon.
com-29708216-https://www.amazon.com/dp/B07FMS1DMX?ref=
emc_p_m_5_i (Year: 2018).*
Brother HLL3210CW_pp. 1,23,Date 2018—www.brother-usa.com-
29708216-https://www.brother-usa.com/products/
hl3210cw#reviews (Year: 2018).*

* cited by examiner

Primary Examiner — Jennifer L Rempfer
Assistant Examiner — Danielle Nichole Bowly
(74) *Attorney, Agent, or Firm* — Oliff PLC

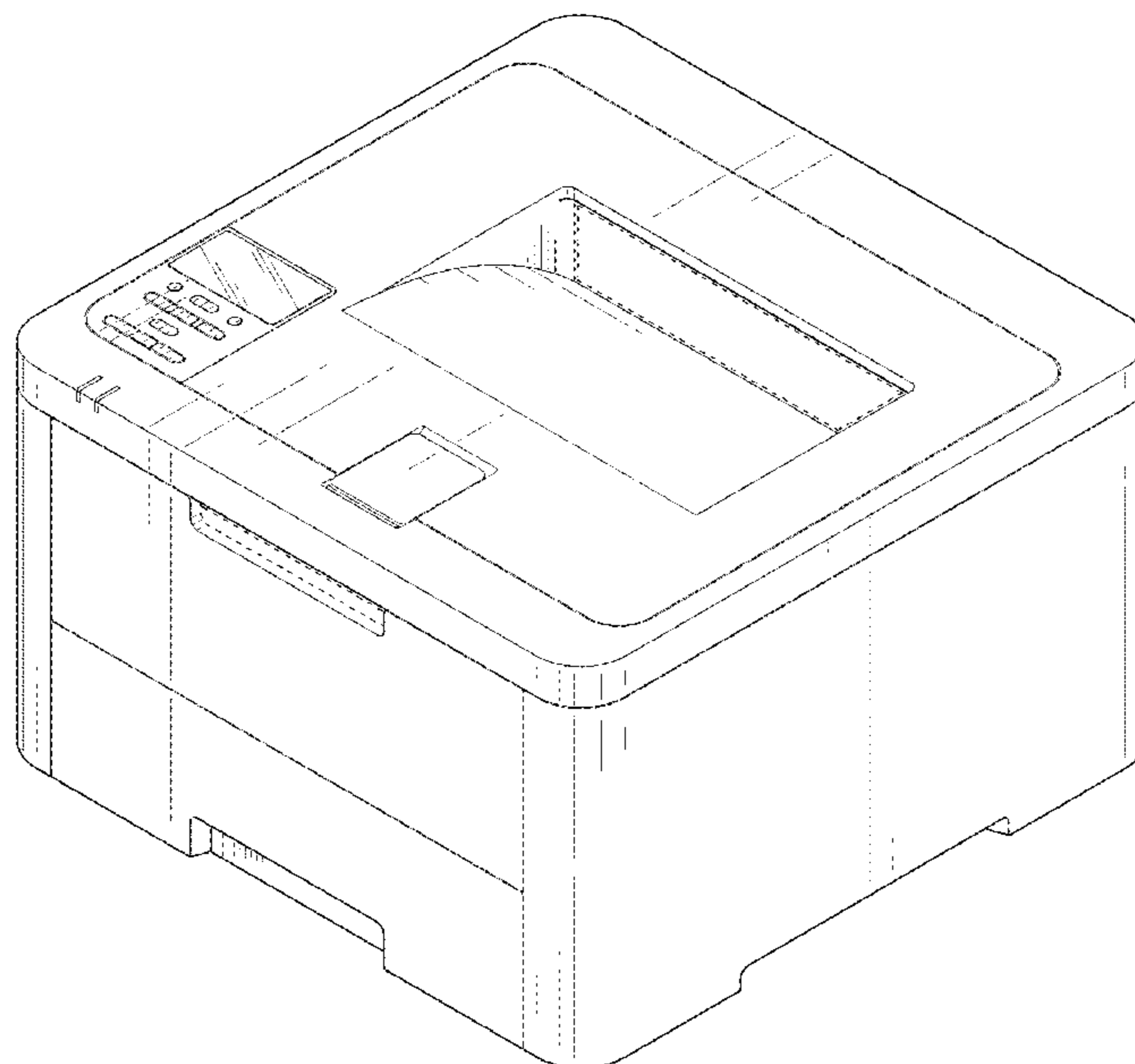
(57) **CLAIM**

The ornamental design for a printer, as shown and described.

DESCRIPTION

FIG. 1 is a perspective view of a printer;
FIG. 2 is a front elevational view thereof;
FIG. 3 is a top plan view thereof;
FIG. 4 is a left-side elevational view thereof;
FIG. 5 is a right-side elevational view thereof;
FIG. 6 is a rear elevational view thereof; and,
FIG. 7 is a bottom plan view thereof.
The evenly spaced broken lines depict unclaimed parts of
the printer and form no part of the claimed design.

1 Claim, 7 Drawing Sheets



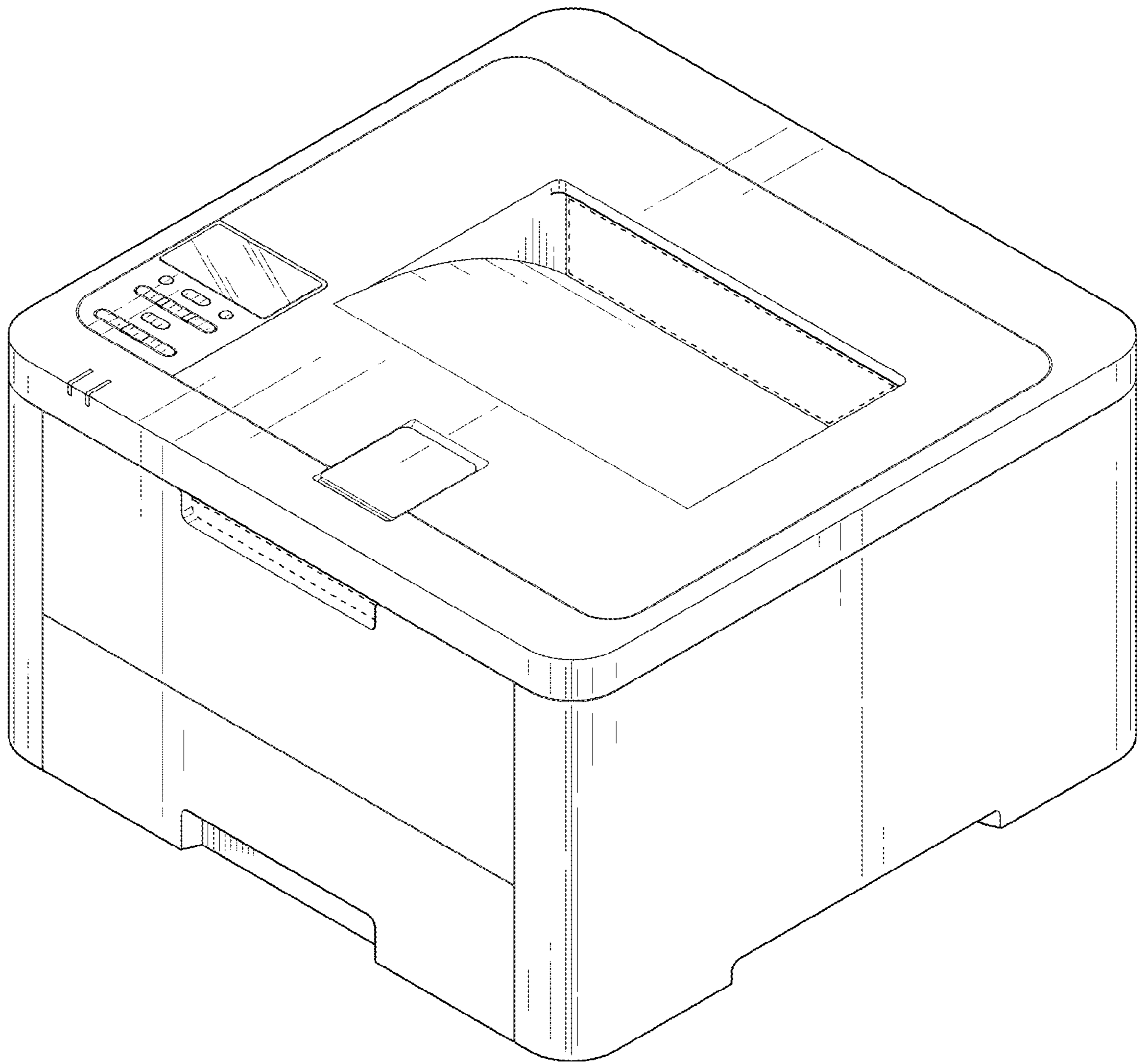


FIG. 1

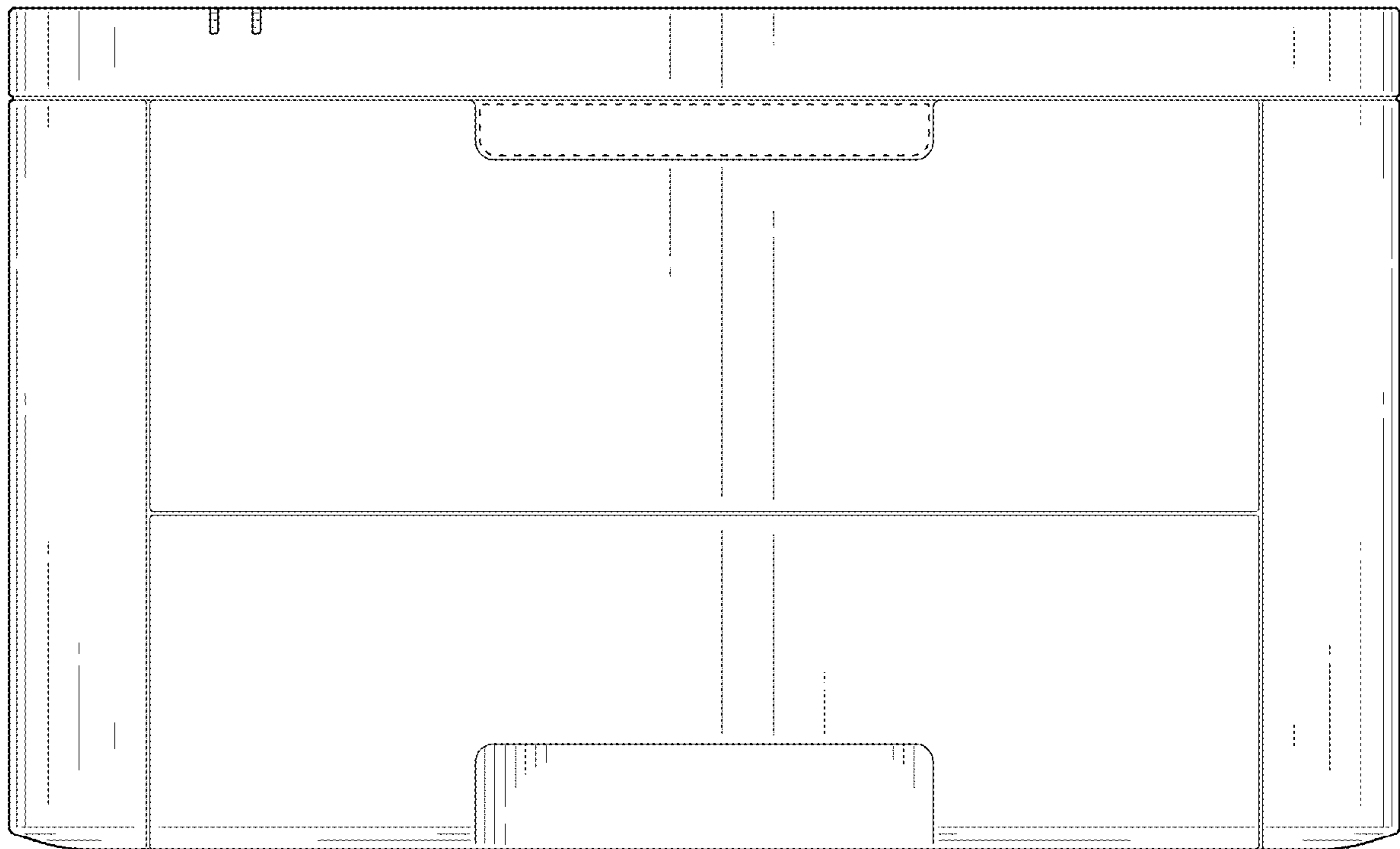


FIG. 2

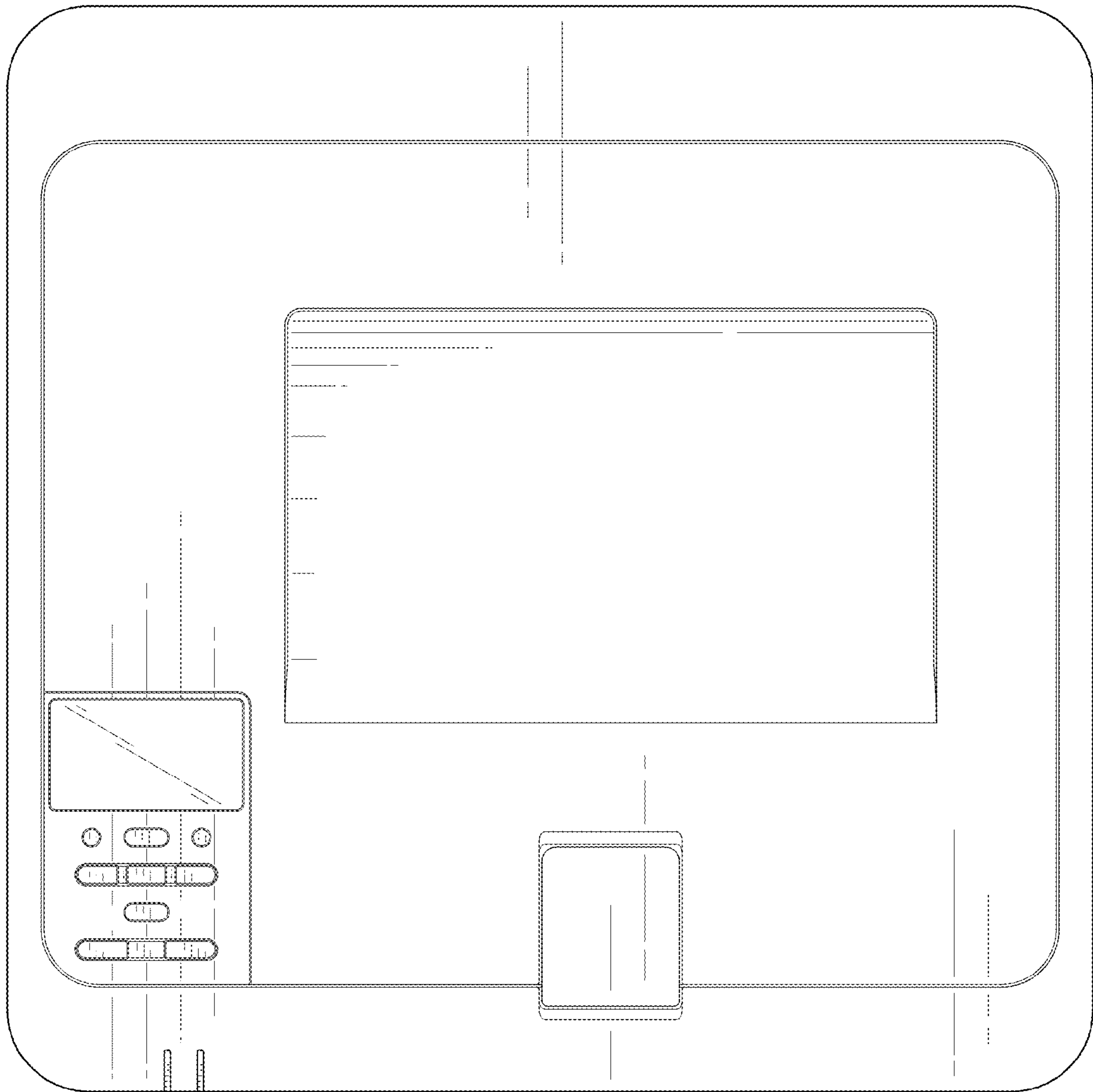


FIG. 3

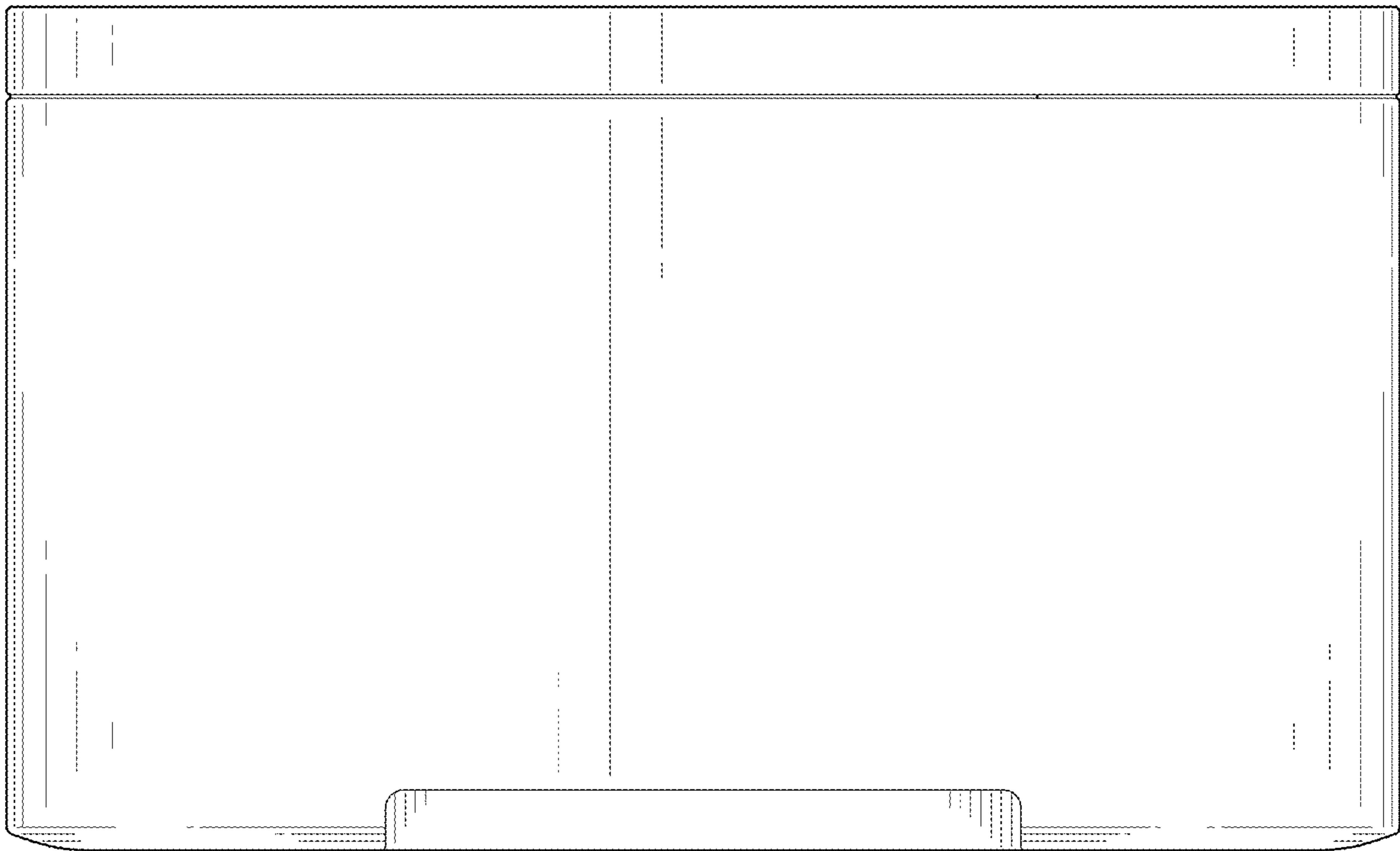


FIG. 4

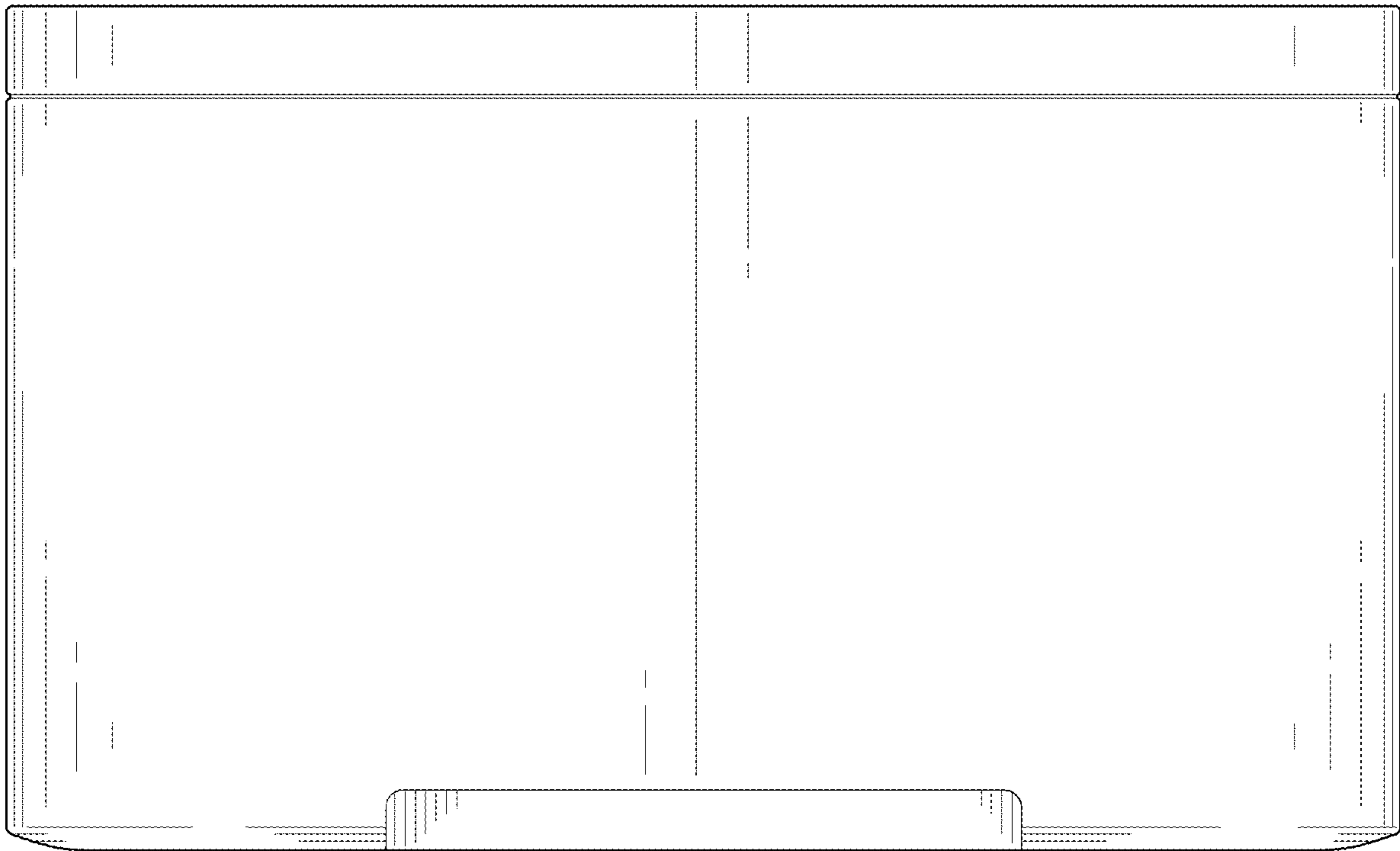


FIG. 5

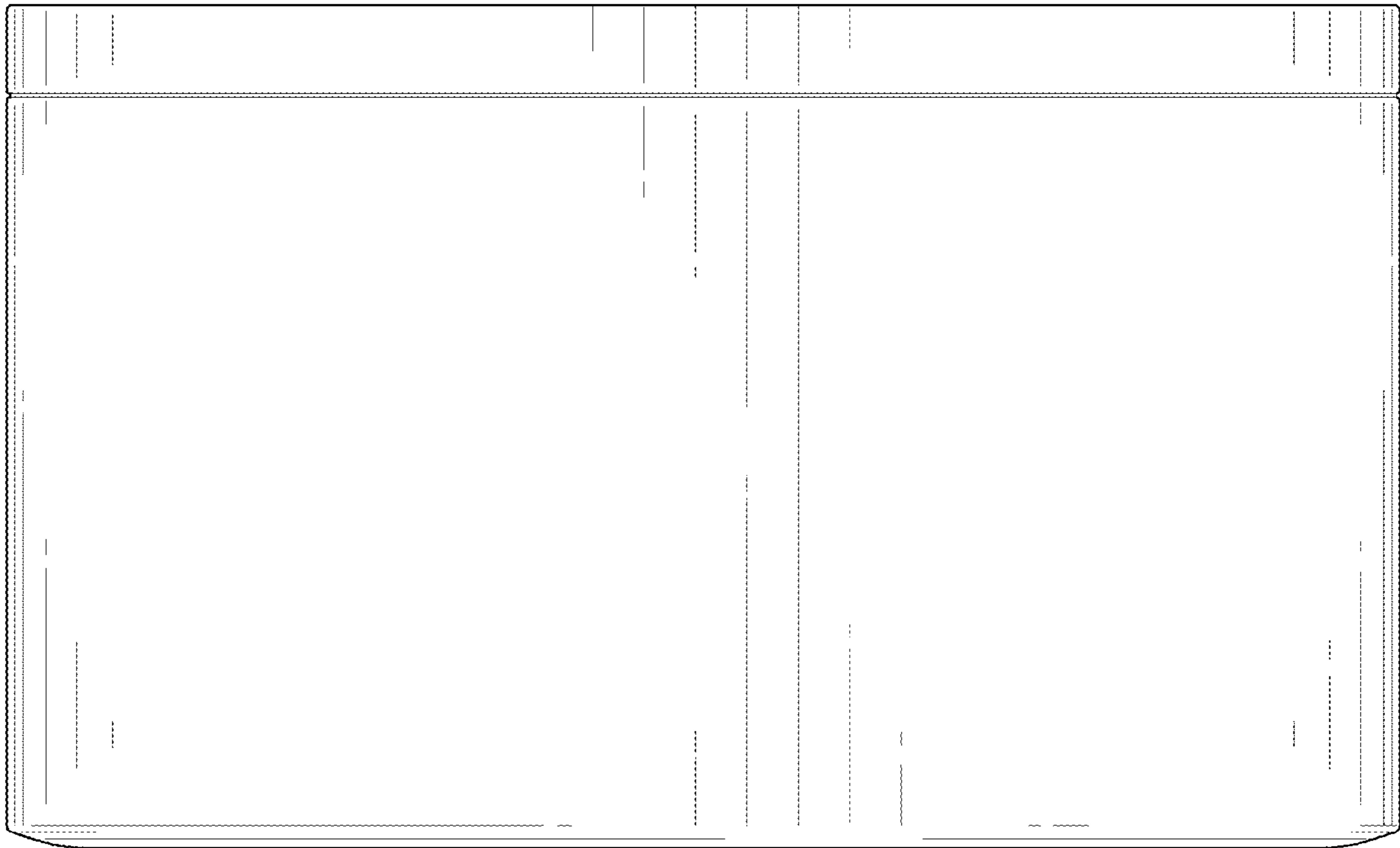


FIG. 6

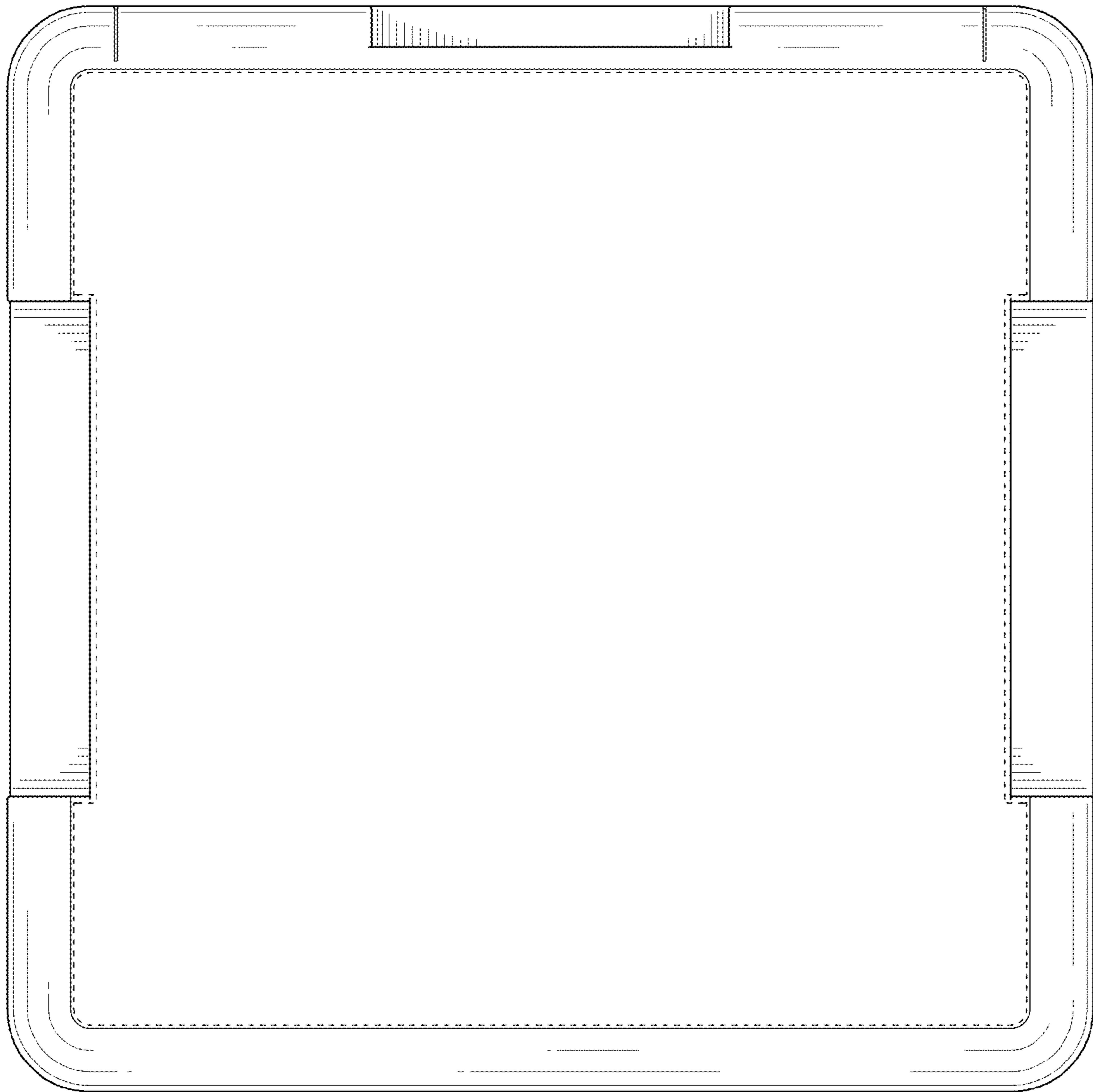


FIG. 7