



US00D944891S

(12) **United States Design Patent** (10) **Patent No.:** **US D944,891 S**  
**Inada** (45) **Date of Patent:** **\*\* Mar. 1, 2022**

(54) **PRINTER**  
 (71) Applicant: **BROTHER INDUSTRIES, LTD.**,  
 Nagoya (JP)

D821,490 S \* 6/2018 Mita ..... D18/55  
 D824,996 S \* 8/2018 Kim ..... D18/56  
 D868,151 S \* 11/2019 Inada ..... D18/55  
 D868,884 S \* 12/2019 Inada ..... D18/55  
 D892,210 S \* 8/2020 Takeuchi ..... D18/55

(72) Inventor: **Toshiya Inada**, Nagoya (JP)  
 (73) Assignee: **BROTHER INDUSTRIES, LTD.**,  
 Nagoya (JP)

**OTHER PUBLICATIONS**

Brother ILC MFC-L3770CDW—pp. 1,4—Date Feb. 15, 2019—  
 Amazon—29708215—[https://www.amazon.com/Brother-Imprimante-Couleur-Multifonction-MFC-L3770CDW/dp/B07GSNWQ45/ref=sr\\_1\\_268?keywords=printers&qid=1636476723&refinements=p\\_89%3ABrother&rnid=2528832011&s=office-products&sr=1-268>](https://www.amazon.com/Brother-Imprimante-Couleur-Multifonction-MFC-L3770CDW/dp/B07GSNWQ45/ref=sr_1_268?keywords=printers&qid=1636476723&refinements=p_89%3ABrother&rnid=2528832011&s=office-products&sr=1-268>)  
 (Year: 2019).\*  
 Brother MFC-L3770CDW Review—p. 1—Date Sep. 20, 2018—  
 PCMag.com—<https://www.pcmag.com/reviews/brother-mfc-l3770cdw> (Year: 2018).\*

(\*\*) Term: **15 Years**  
 (21) Appl. No.: **29/708,215**  
 (22) Filed: **Oct. 4, 2019**

**(30) Foreign Application Priority Data**

Apr. 4, 2019 (JP) ..... 2019-007322  
 (51) **LOC (13) Cl.** ..... **14-02**  
 (52) **U.S. Cl.**  
 USPC ..... **D18/53**  
 (58) **Field of Classification Search**  
 USPC ..... D18/4.1, 4.4, 4.6, 37, 38, 39, 50, 53, 54,  
 D18/55, 59; D14/300, 301, 302, 307  
 CPC ... H04N 2201/0094; H04N 2201/0081; H04N  
 1/00278  
 See application file for complete search history.

\* cited by examiner

*Primary Examiner* — Jennifer L Rempfer  
*Assistant Examiner* — Danielle Nichole Bowly  
 (74) *Attorney, Agent, or Firm* — Oliff PLC

**(57) CLAIM**

The ornamental design for a printer, as shown and described.

**DESCRIPTION**

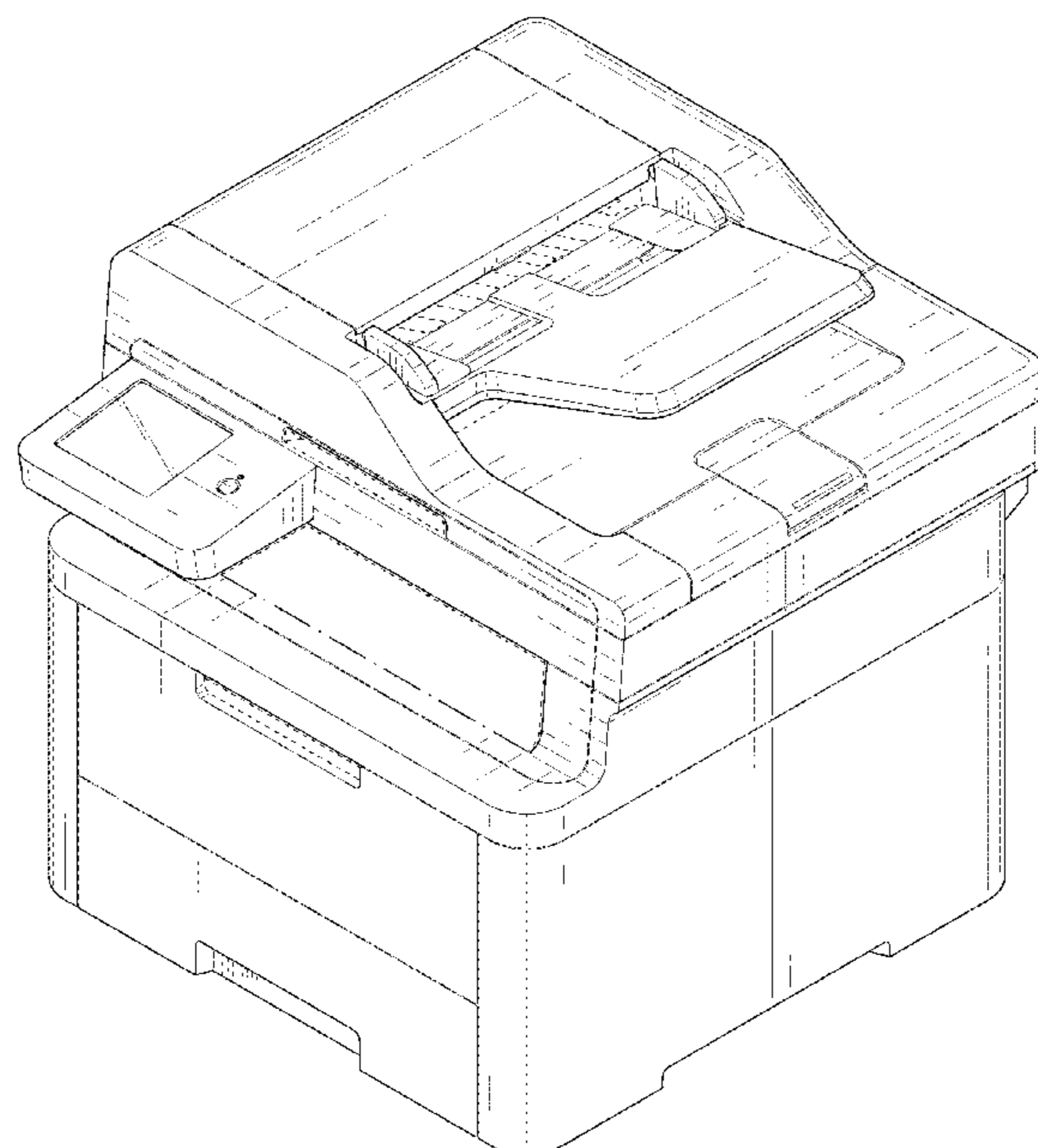
FIG. 1 is a perspective view of a printer;  
 FIG. 2 is a front elevational view thereof;  
 FIG. 3 is a top plan view thereof;  
 FIG. 4 is a left-side elevational view thereof;  
 FIG. 5 is a right-side elevational view thereof;  
 FIG. 6 is a rear elevational view thereof; and,  
 FIG. 7 is a bottom plan view thereof.  
 The evenly spaced broken lines depict unclaimed parts of  
 the printer and form no part of the claimed design. The  
 dot-dash chain lines depict a boundary of the claimed  
 subject matter and form no part of the claimed design.

**(56) References Cited**

**U.S. PATENT DOCUMENTS**

D790,625 S \* 6/2017 Peng ..... D18/56  
 D792,925 S \* 7/2017 Peng ..... D18/56  
 D799,594 S \* 10/2017 Kim ..... D18/55  
 D802,659 S \* 11/2017 Peng ..... D18/56  
 D812,683 S \* 3/2018 Inada ..... D18/50  
 D815,197 S \* 4/2018 Kim ..... D18/50  
 D819,124 S \* 5/2018 Brown ..... D18/55  
 D821,489 S \* 6/2018 Brown ..... D18/41

**1 Claim, 7 Drawing Sheets**



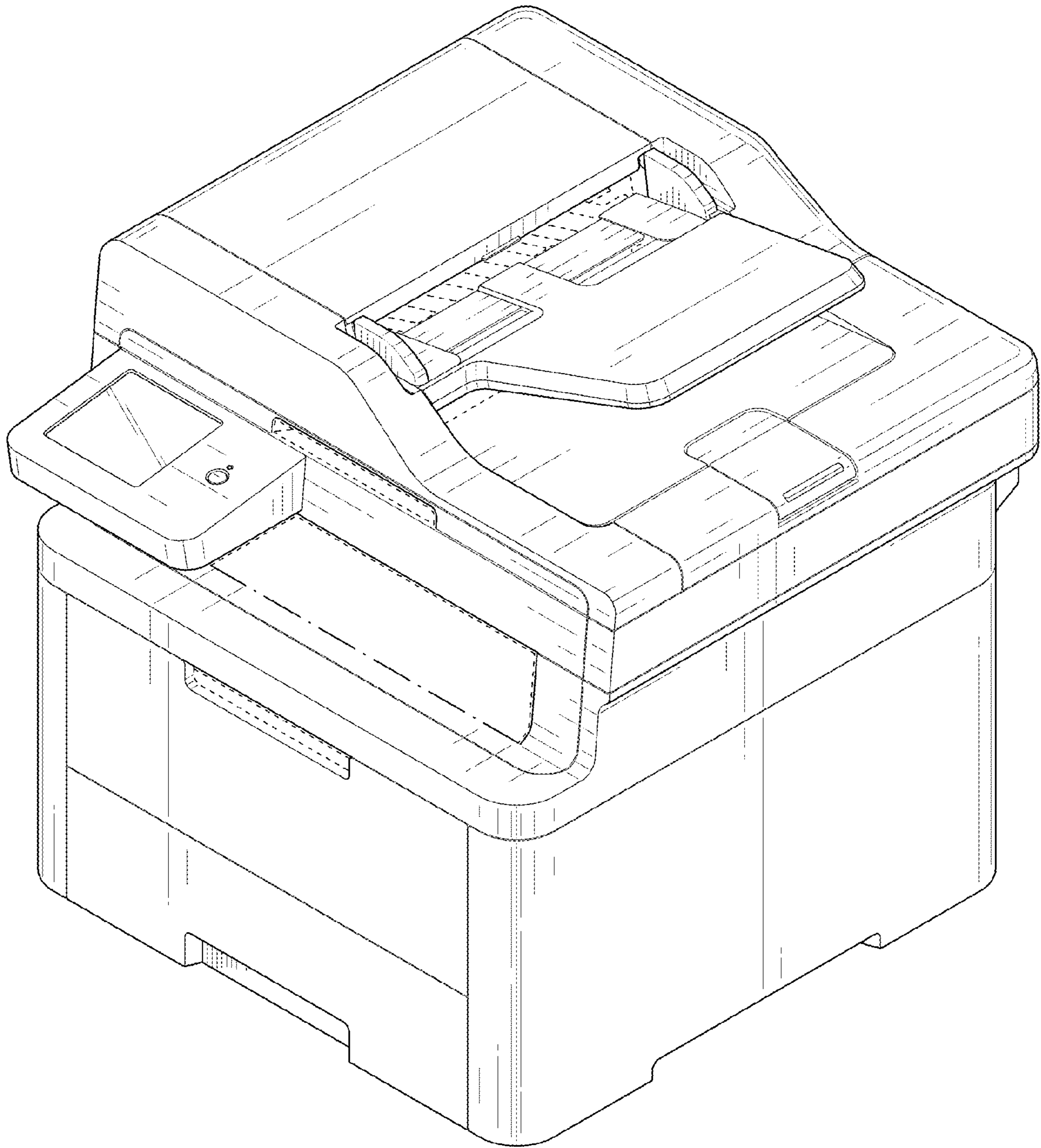


FIG. 1

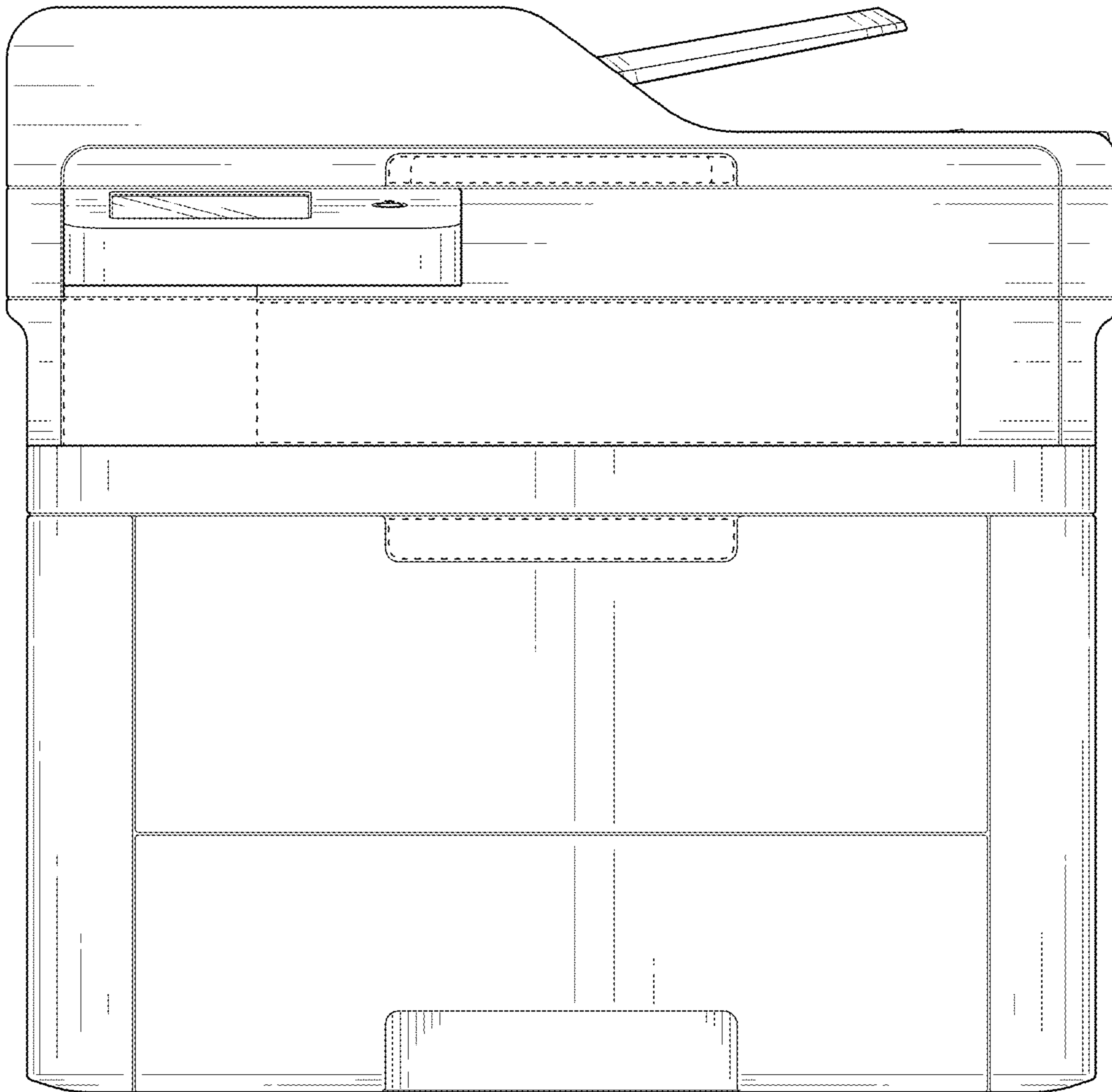


FIG. 2

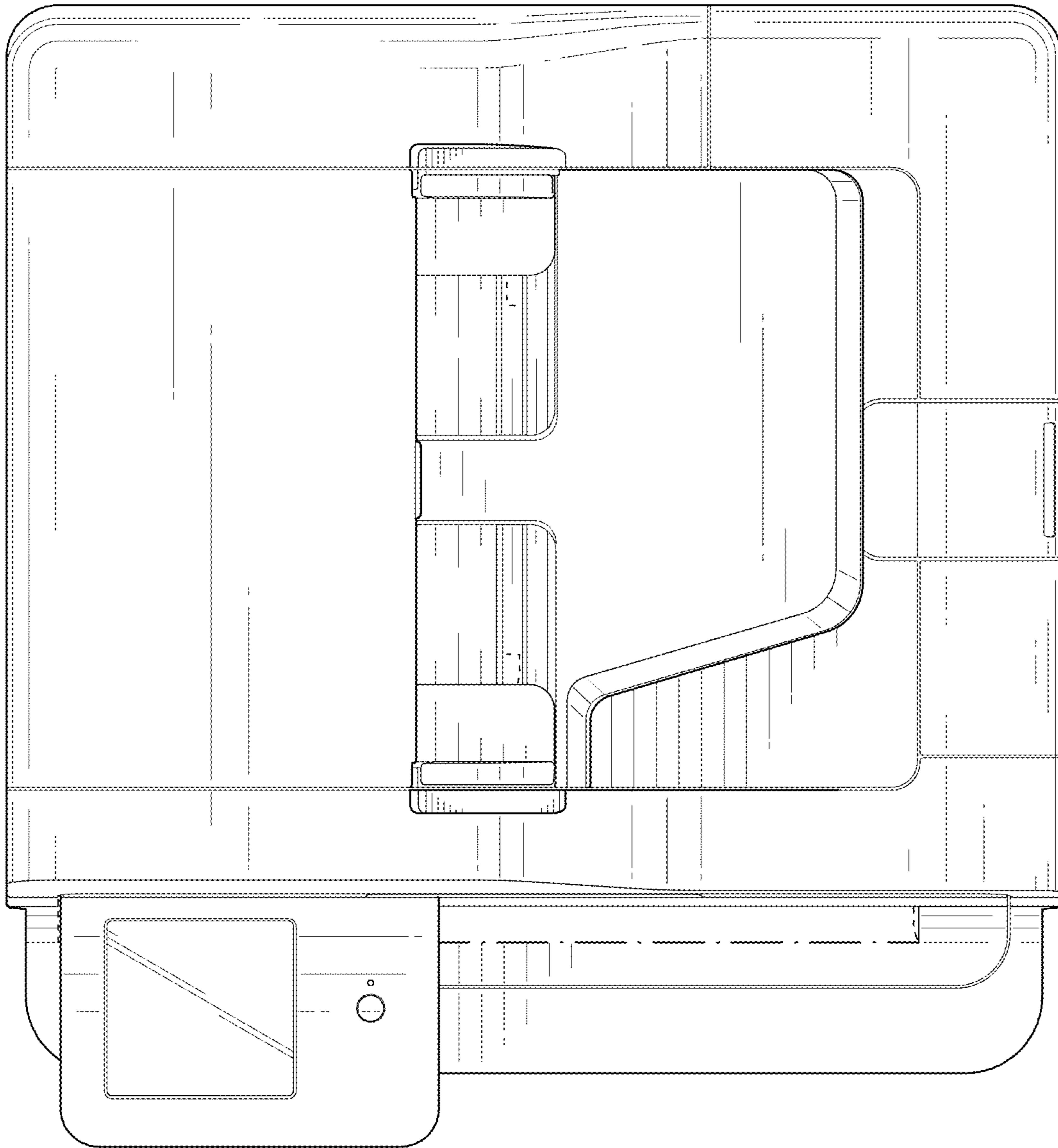


FIG. 3



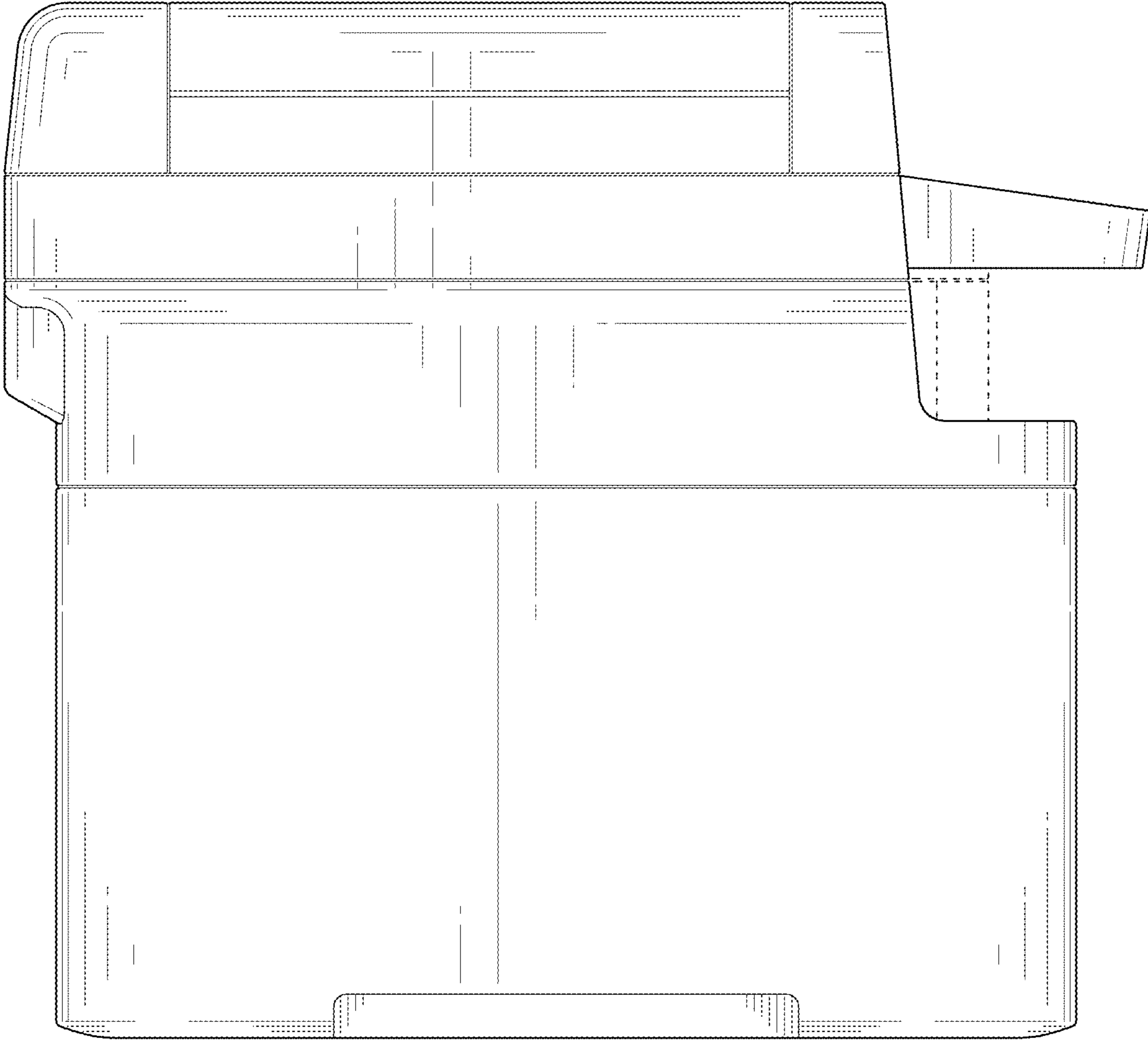


FIG. 4

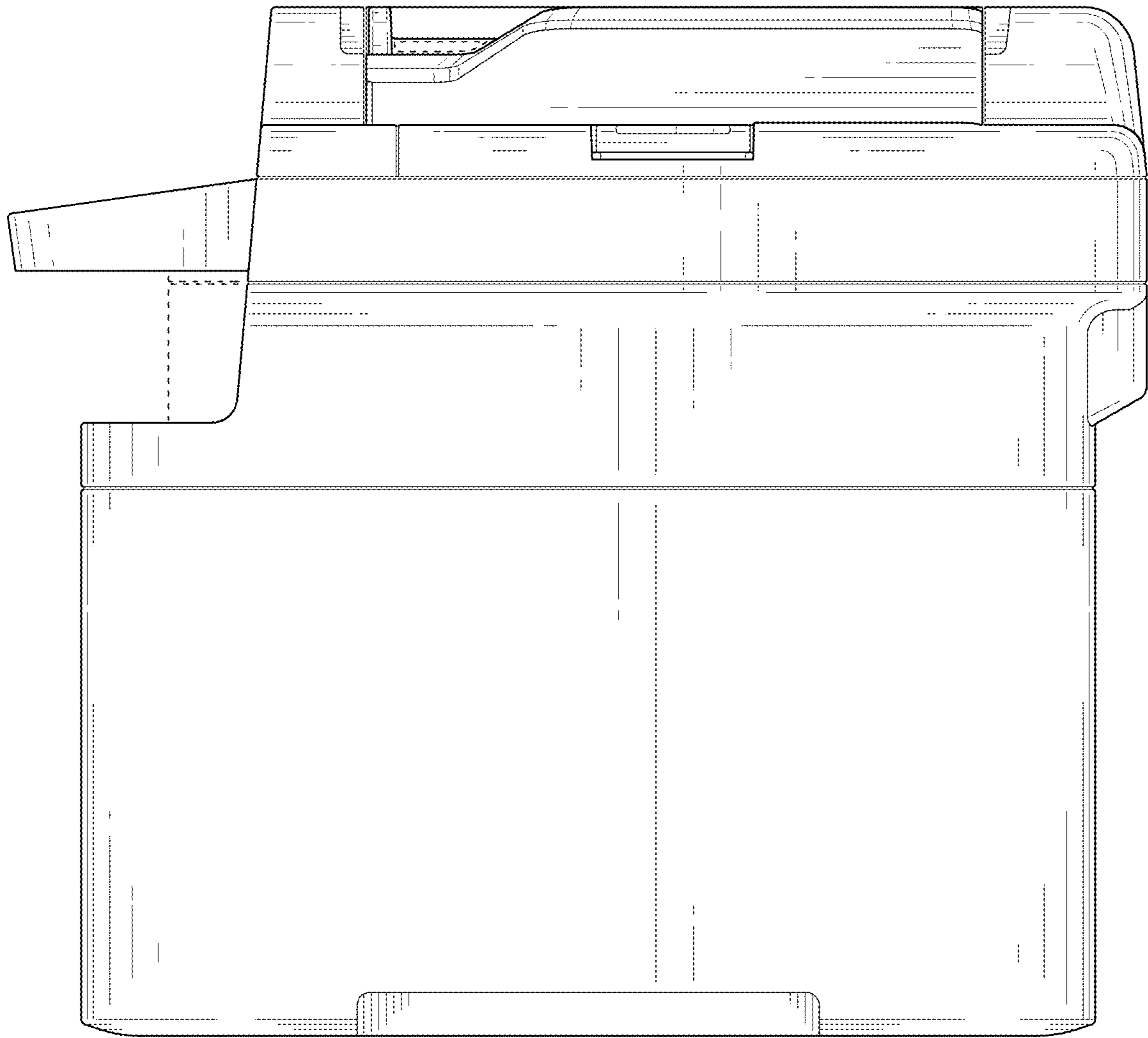


FIG. 5

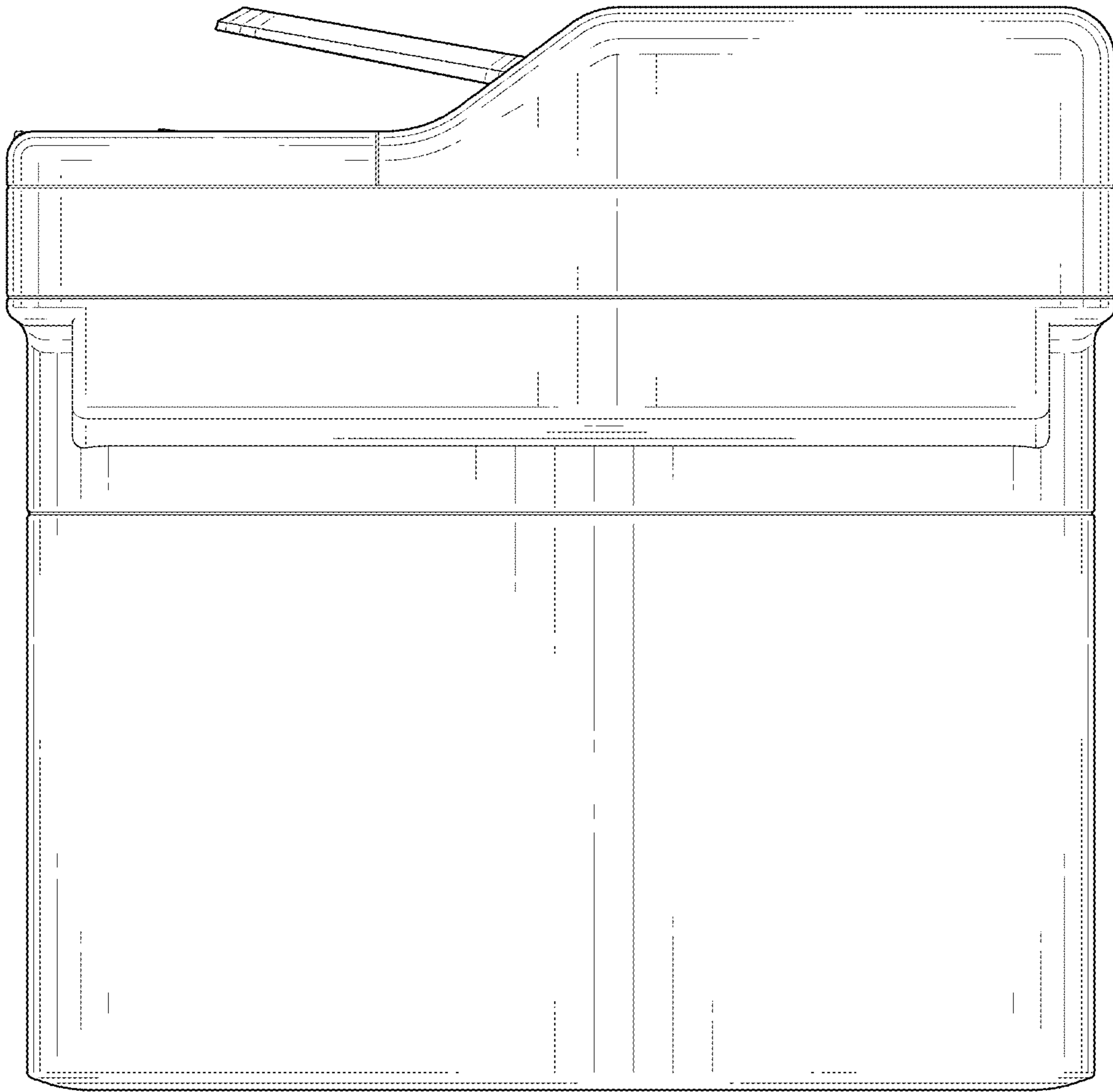


FIG. 6

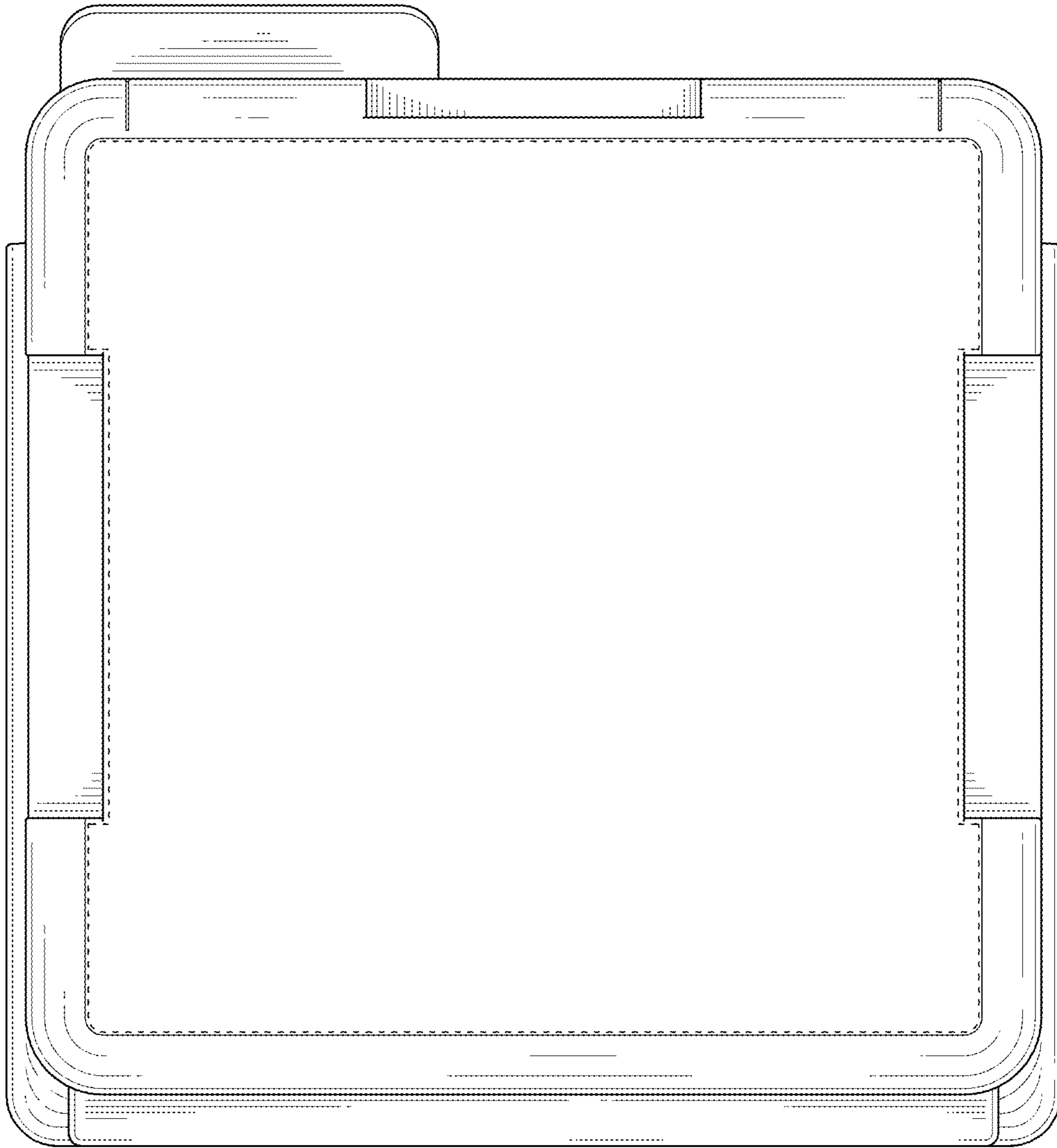


FIG. 7