



US00D944889S

(12) **United States Design Patent**  
**Cesar et al.**

(10) **Patent No.:** **US D944,889 S**

(45) **Date of Patent:** **\*\* Mar. 1, 2022**

(54) **LARGE FORMAT PRINTER**

D877,240 S \* 3/2020 Cesar ..... D18/53  
D931,933 S \* 9/2021 Moliner Rafa ..... D18/53  
2014/0111587 A1\* 4/2014 Nakano ..... B41J 11/0005  
347/104

(71) Applicant: **Hewlett-Packard Development Company, L.P.**, Spring, TX (US)

(Continued)

(72) Inventors: **Javier Alfonso Cesar**, Sant Cugat del Vallès (ES); **Oriol Moliner**, Sant Cugat del Vallès (ES); **Eva Del Hoyo**, Sant Cugat del Vallès (ES)

FOREIGN PATENT DOCUMENTS

CN 302254277 \* 2/2012  
CN 305250774 \* 7/2019  
CN 305376994 \* 10/2019

(Continued)

(73) Assignee: **Hewlett-Packard Development Company, L.P.**, Spring, TX (US)

OTHER PUBLICATIONS

(\*\*) Term: **15 Years**

Epson Malaysia. Link: <https://www.epson.com.mm/For-Work/Printers/Large-Format/Epson-SureColor-SC-F7270-Dye-Sublimation-Textile-Printer/p/C11CF06402>. Visited Apr. 9, 2020. Epson SureColor SC-F7270 Dye-Sublimation Textile Printer. (Year: 2020).\*

(21) Appl. No.: **29/706,135**

(22) Filed: **Sep. 18, 2019**

(51) **LOC (13) Cl.** ..... **14-02**

(52) **U.S. Cl.**  
USPC ..... **D18/53**

(58) **Field of Classification Search**  
USPC ..... D18/50, 53, 54, 55, 56, 59, 36, 37, 38,  
D18/39, 40, 41, 45; D14/301, 307, 121  
CPC ..... H04N 1/00278; H04N 1/00204; H04N  
1/00249; G06K 15/12; G06K 15/14; B41J  
3/00; B41J 3/28; B41J 3/445; B41J 3/46  
See application file for complete search history.

*Primary Examiner* — Lauren D McVey

(74) *Attorney, Agent, or Firm* — Hanley Flight & Zimmerman LLC

(57) **CLAIM**

The ornamental design for a large format printer, as shown and described.

**DESCRIPTION**

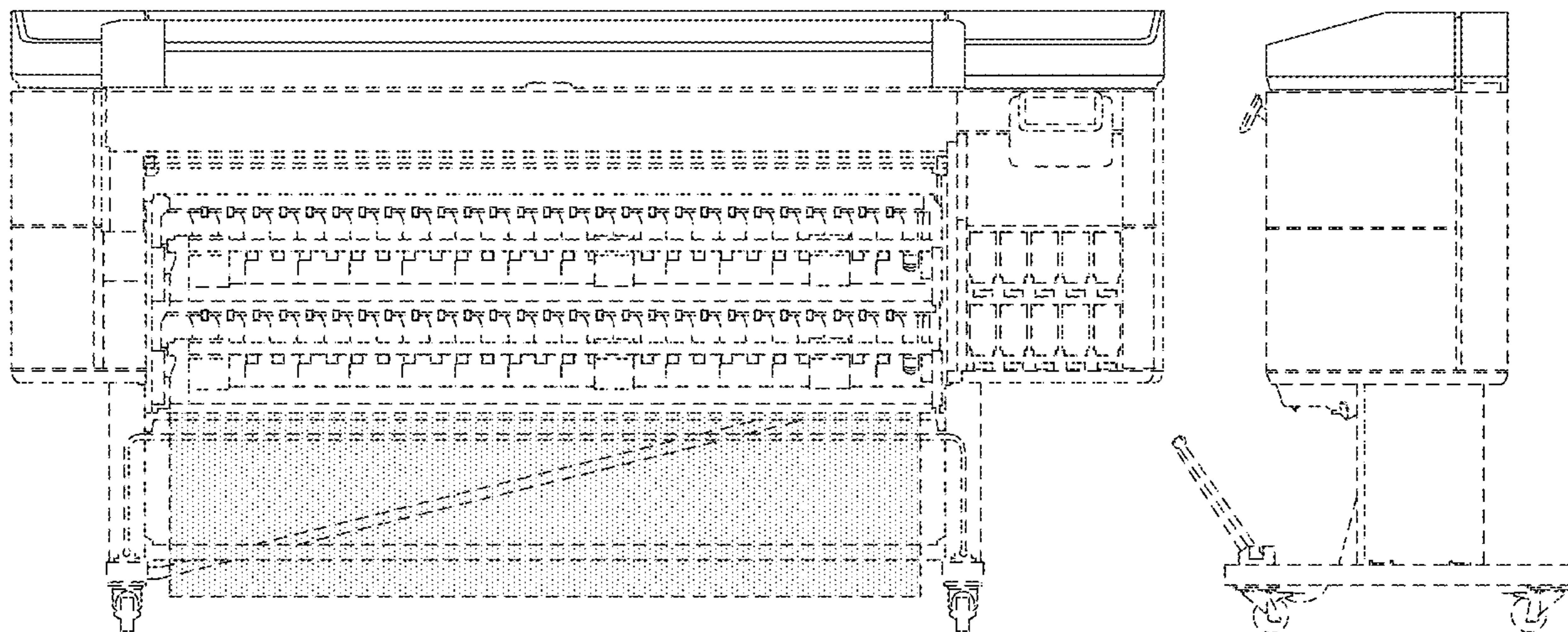
FIG. 1 is a right, front perspective view of a large format printer showing our new design;  
FIG. 2 is a left, front perspective view of the printer of FIG. 1;  
FIG. 3 is a front elevation view of the printer of FIG. 1;  
FIG. 4 is a rear elevation view of the printer of FIG. 1;  
FIG. 5 is a right side elevation view of the printer of FIG. 1;  
FIG. 6 is a left side elevation view of the printer of FIG. 1; and,  
FIG. 7 is a top plan view of the printer of FIG. 1.  
The broken lines and dotted lines showing portions of the large format printer and surfaces adjacent the broken lines form no part of the claimed design.

(56) **References Cited**

U.S. PATENT DOCUMENTS

D529,545 S \* 10/2006 Kimura ..... D18/53  
D595,345 S \* 6/2009 Yagi ..... D18/53  
D597,131 S \* 7/2009 Yamano ..... D18/53  
D747,766 S \* 1/2016 Cesar ..... D18/53  
D751,637 S \* 3/2016 Cesar ..... D18/53  
9,308,748 B2 \* 4/2016 Ishikawa ..... B41J 15/046  
D764,575 S \* 8/2016 Cesar ..... D18/53  
D810,819 S \* 2/2018 Cesar ..... D18/53  
D812,136 S \* 3/2018 Cesar ..... D18/53

**1 Claim, 7 Drawing Sheets**



(56)

**References Cited**

U.S. PATENT DOCUMENTS

2018/0345696 A1 \* 12/2018 Kodaira ..... B41J 2/04588  
2018/0370228 A1 \* 12/2018 Tamura ..... B41J 3/30

FOREIGN PATENT DOCUMENTS

CN 305631507 \* 2/2020  
JP 2018202714 A \* 12/2018 ..... B41J 2/015

\* cited by examiner

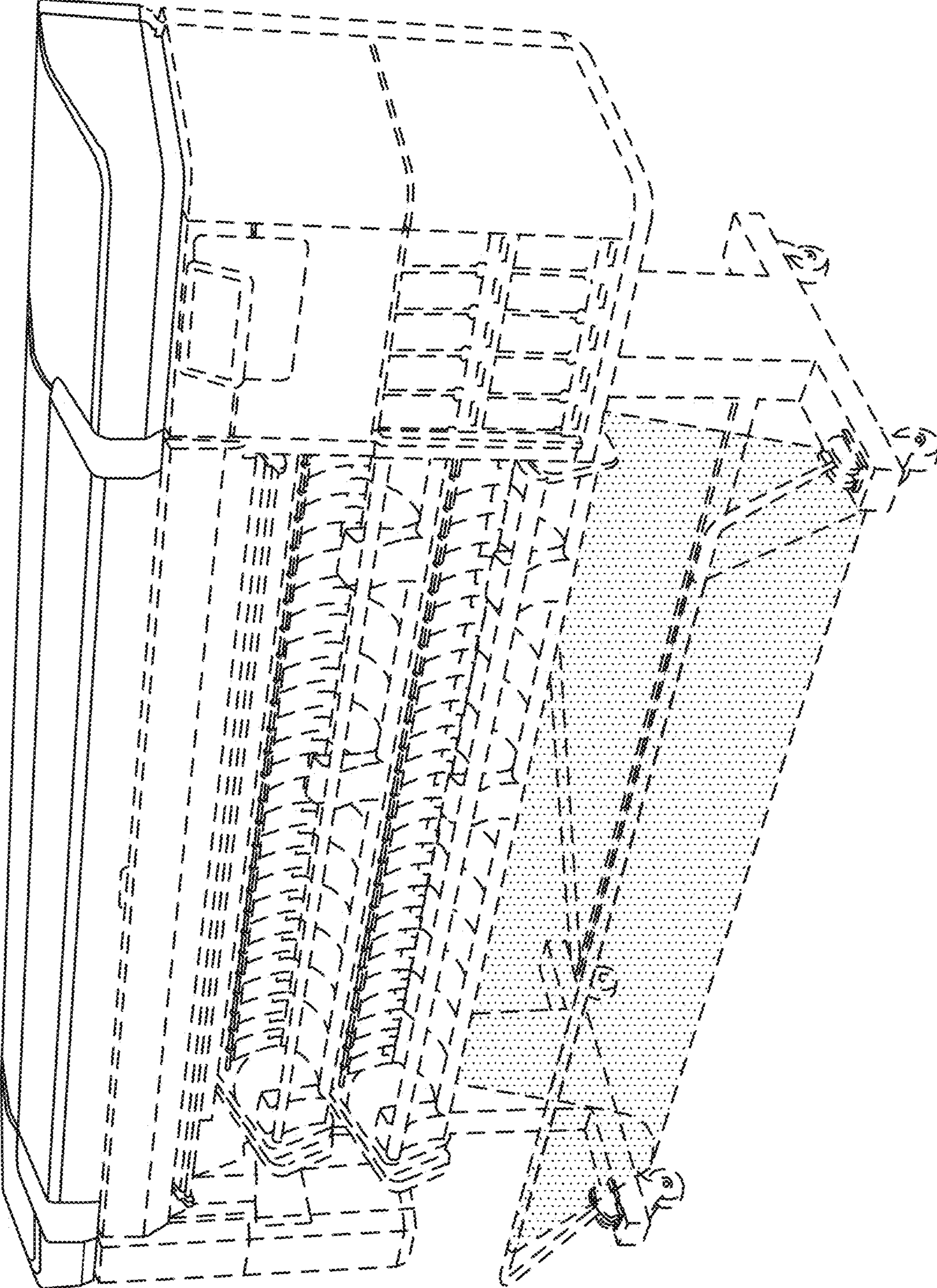


FIG. 1



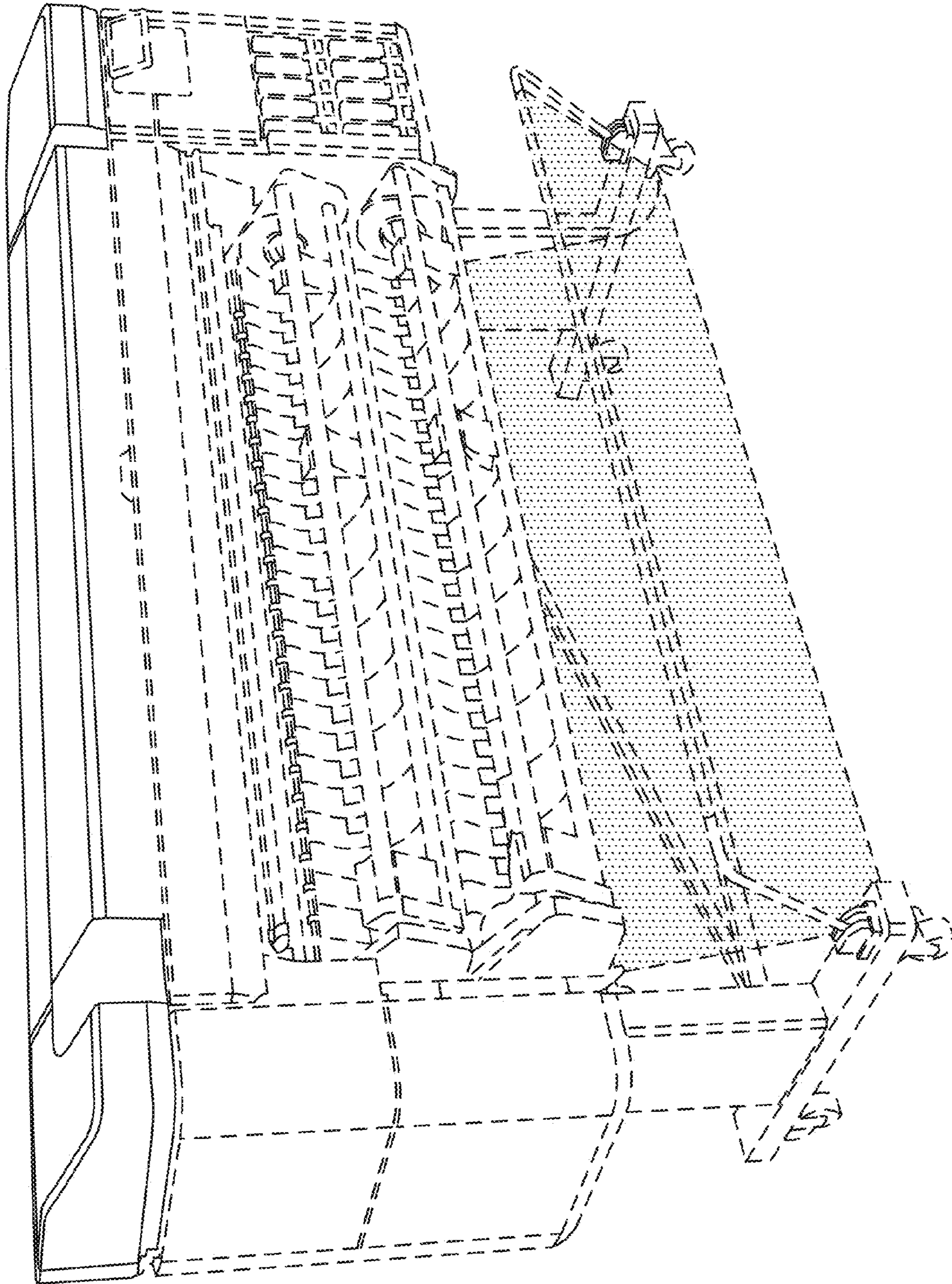


FIG. 2

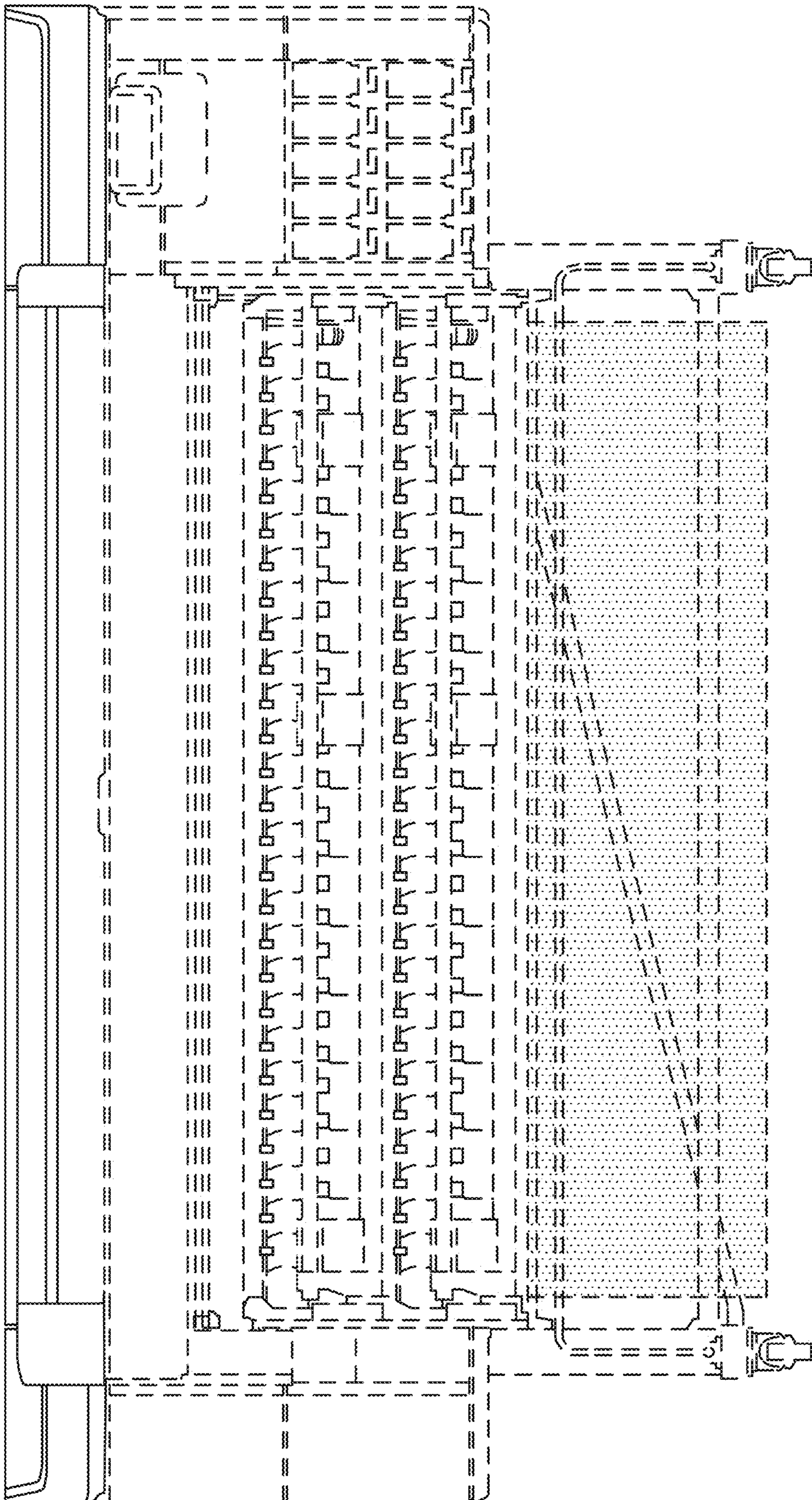


FIG. 3



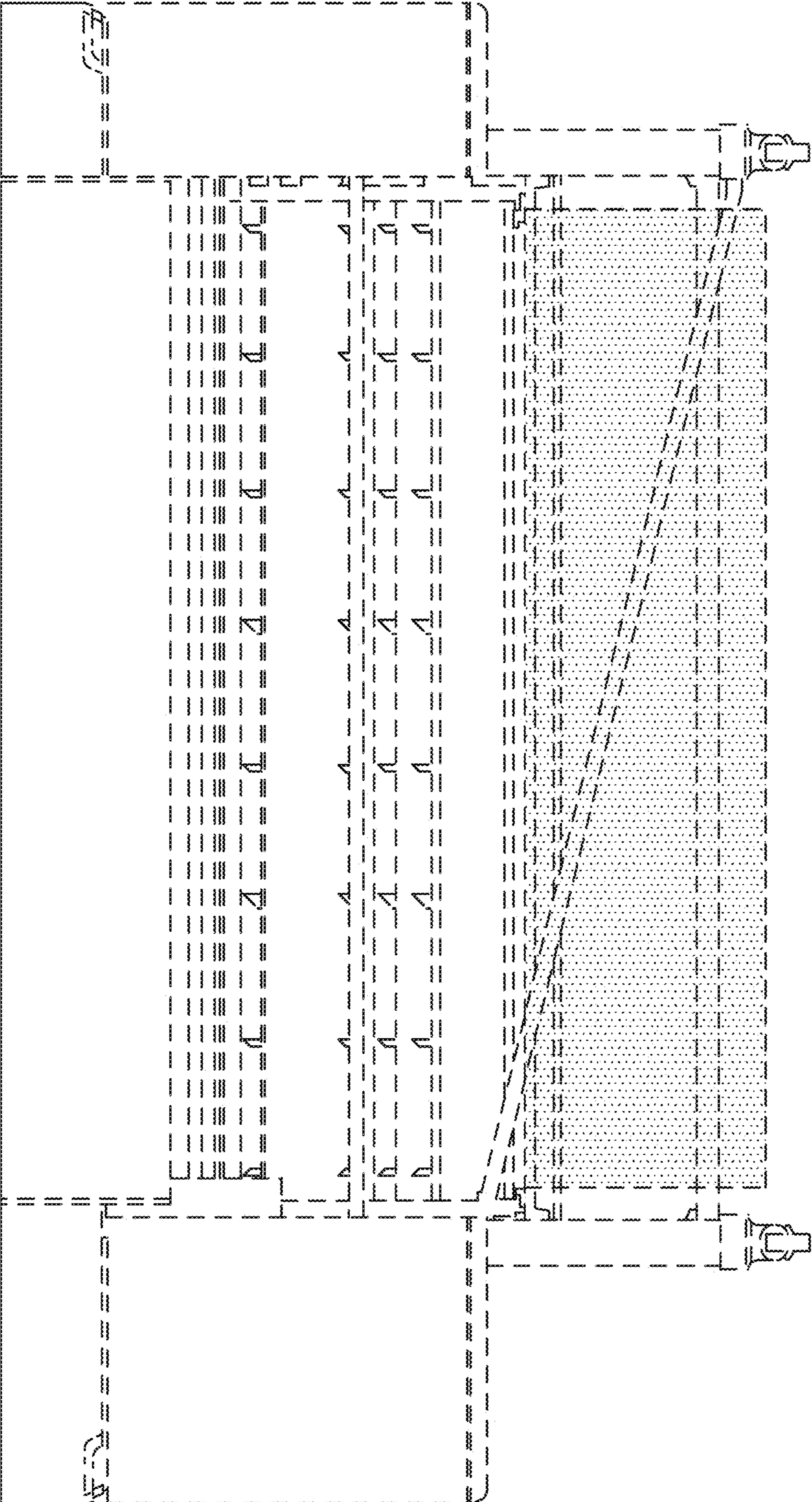


FIG. 4

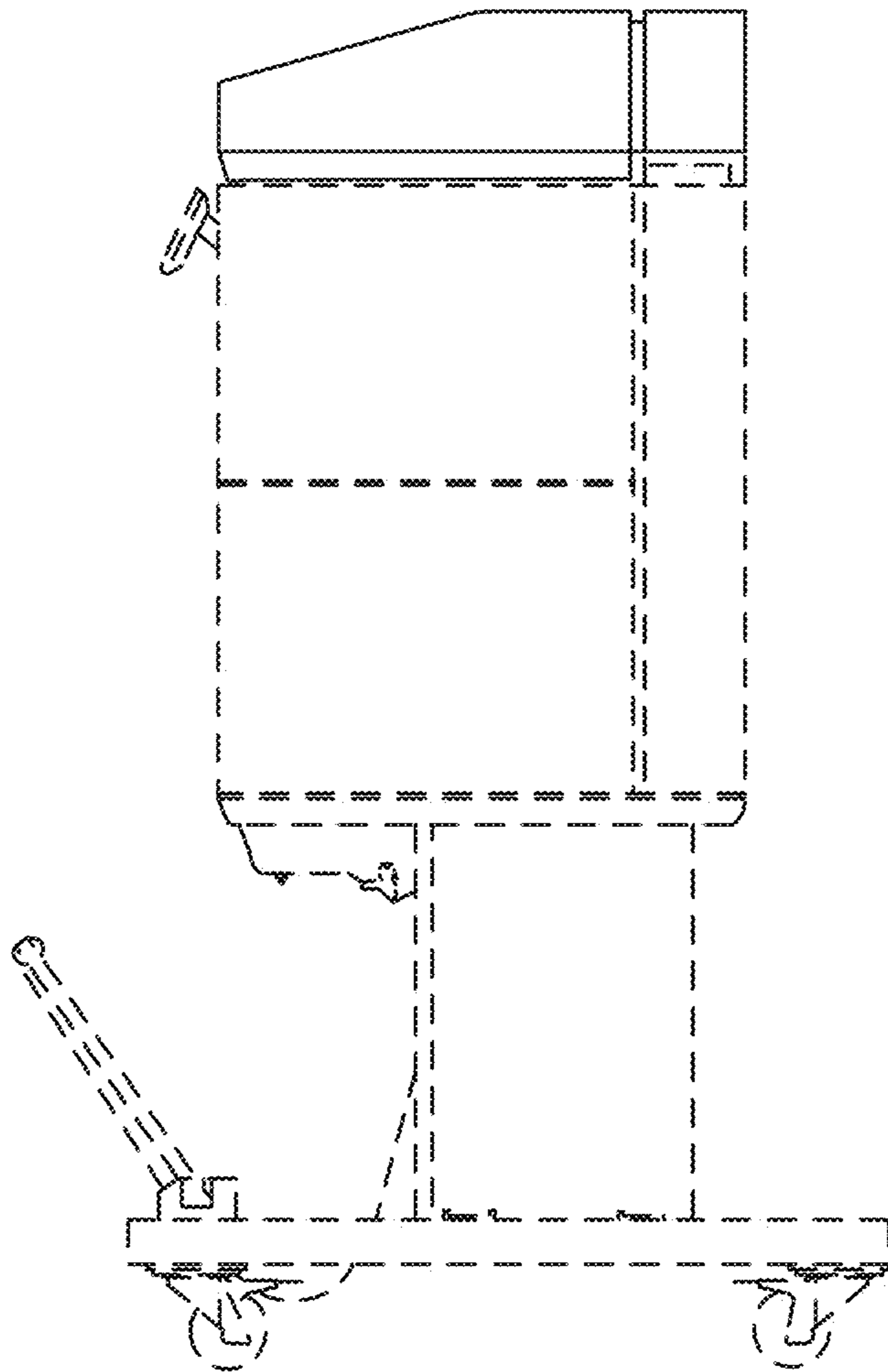


FIG. 5

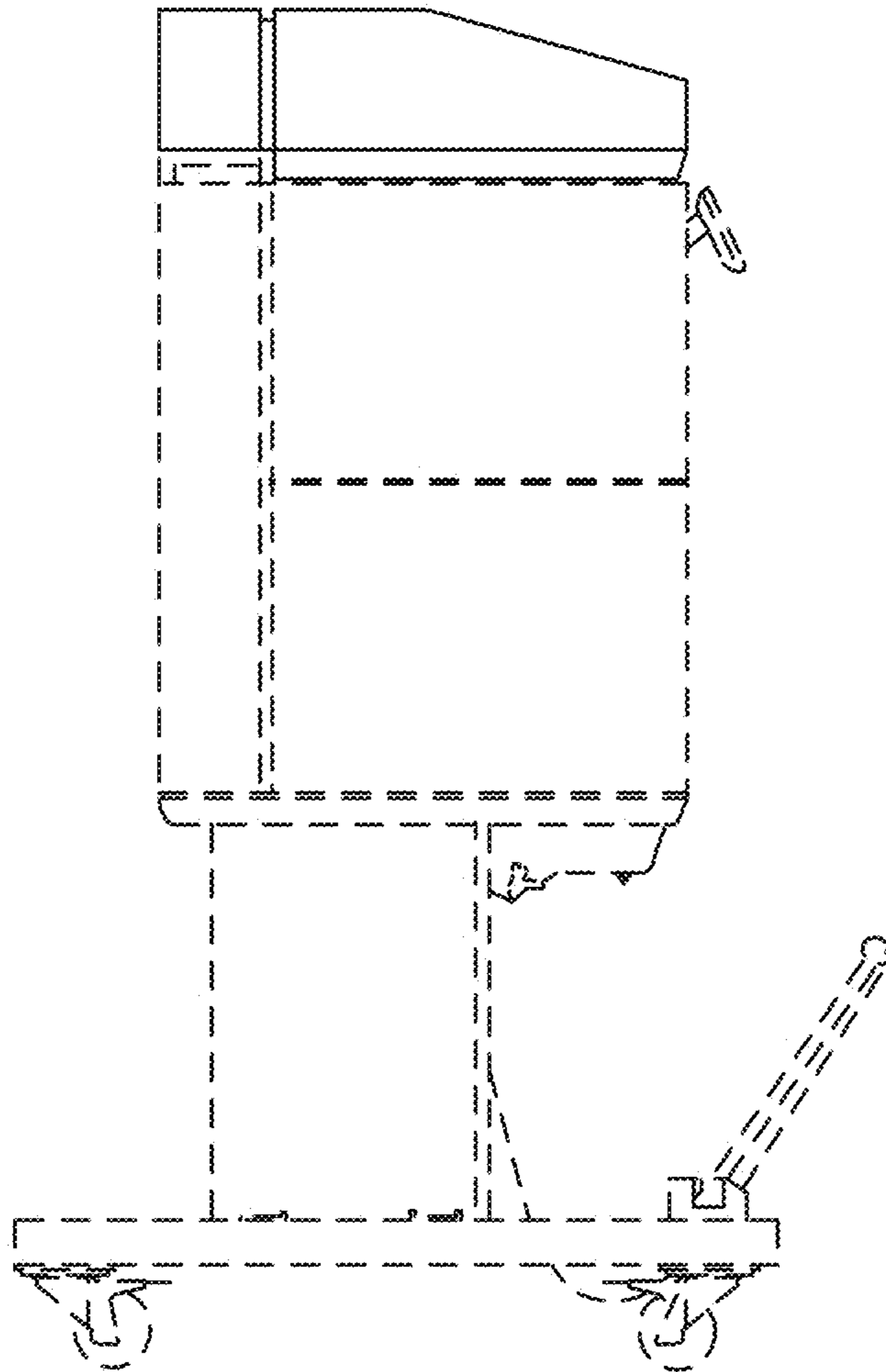


FIG. 6



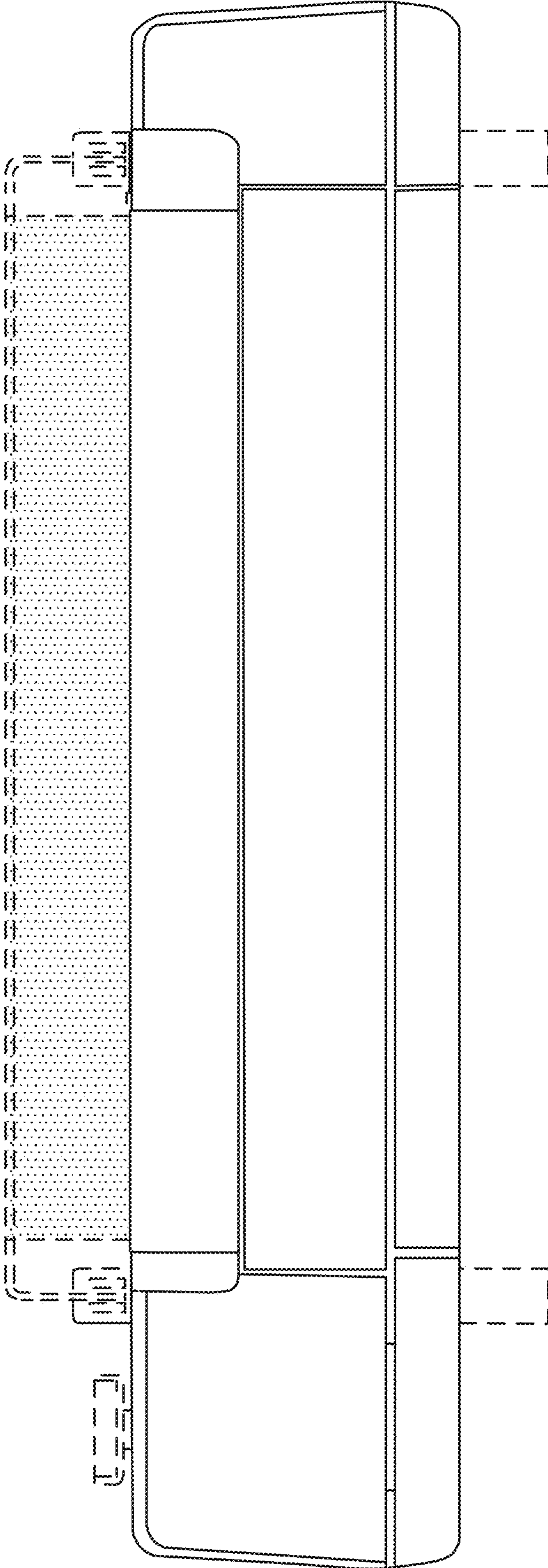


FIG. 7