

US00D944886S

(12) **United States Design Patent**
Yang

(10) **Patent No.:** **US D944,886 S**
(45) **Date of Patent:** **** Mar. 1, 2022**

(54) **STEEL TONGUE DRUM**

(71) Applicant: **Fei Yang**, Xingping (CN)

(72) Inventor: **Fei Yang**, Xingping (CN)

(**) Term: **15 Years**

(21) Appl. No.: **29/754,974**

(22) Filed: **Oct. 15, 2020**

(30) **Foreign Application Priority Data**

Oct. 9, 2020 (EM) 008199368

(51) **LOC (13) Cl.** **17-04**

(52) **U.S. Cl.**
USPC **D17/22**

(58) **Field of Classification Search**
USPC D17/22, 99; D21/405
CPC G10D 13/00; G10D 13/01; G10D 13/02;
G10D 13/03; G10D 13/10
See application file for complete search history.

(56) **References Cited**

U.S. PATENT DOCUMENTS

10,373,594 B1 * 8/2019 Doe G10D 13/08
D897,420 S * 9/2020 Chen D17/22
D914,798 S * 3/2021 Yang D17/22
D914,799 S * 3/2021 Yang D17/22
D919,698 S * 5/2021 Yang D17/22
2015/0364121 A1 * 12/2015 Gungor G10D 13/16
84/411 R
2019/0213986 A1 * 7/2019 Sargeant G10D 13/08

FOREIGN PATENT DOCUMENTS

WO WO-2014120103 A1 * 8/2014 G10D 13/16

OTHER PUBLICATIONS

Amazon.com. https://www.amazon.com/Percussion-Instruments-Suitable-Professional-Performance/dp/B08PFVSYRT/ref=sr_1_193?crd=3G44TORLJJQ9M&keywords=steel%2Bdrum&qid=1637377459&prefix=steel%2B%2Caps%2C174&sr=8-193&th=1. "14 Inch 9 Tone Alloy Steel Tongue Drum". Dec. 2, 2020 (Year: 2020).*

* cited by examiner

Primary Examiner — R. Johnson

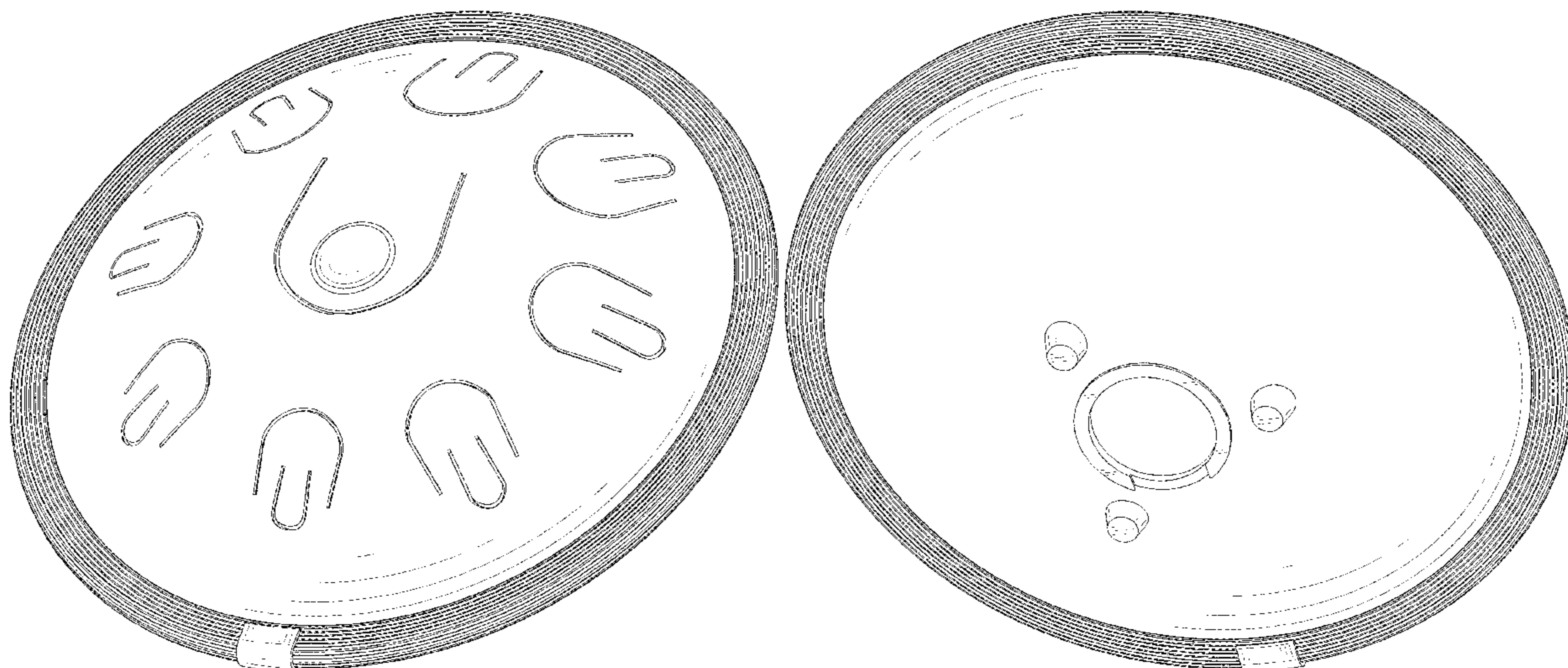
(57) **CLAIM**

The ornamental design for a steel tongue drum, as shown and described.

DESCRIPTION

FIG. 1 is a perspective view of a steel tongue drum showing my new design;
FIG. 2 is another perspective view thereof;
FIG. 3 is a front elevational view thereof;
FIG. 4 is a rear elevational view thereof;
FIG. 5 is a left side elevational view thereof;
FIG. 6 is a right side elevational view thereof;
FIG. 7 is a top plan view thereof; and,
FIG. 8 is a bottom plan view thereof.

1 Claim, 8 Drawing Sheets



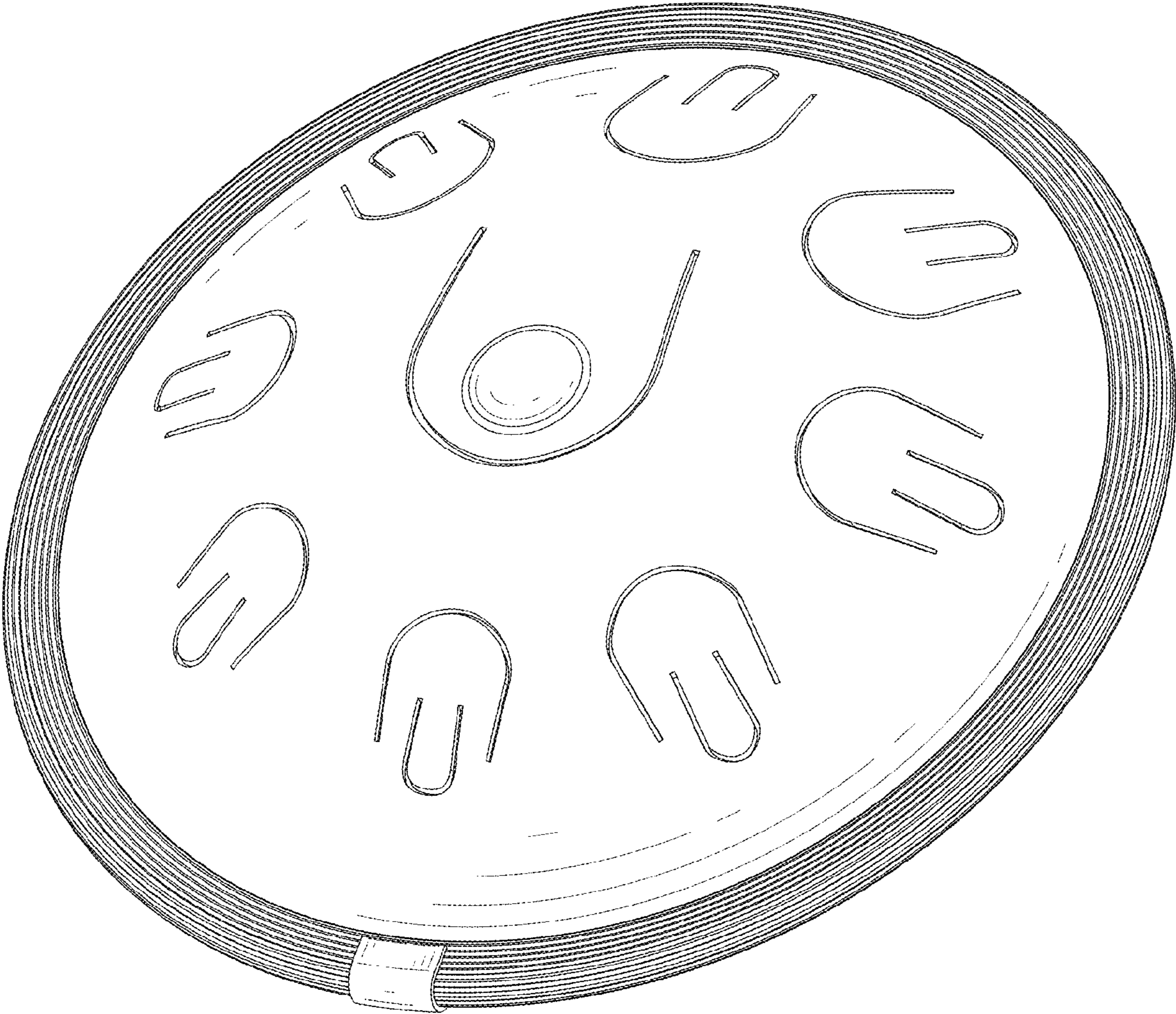


FIG. 1

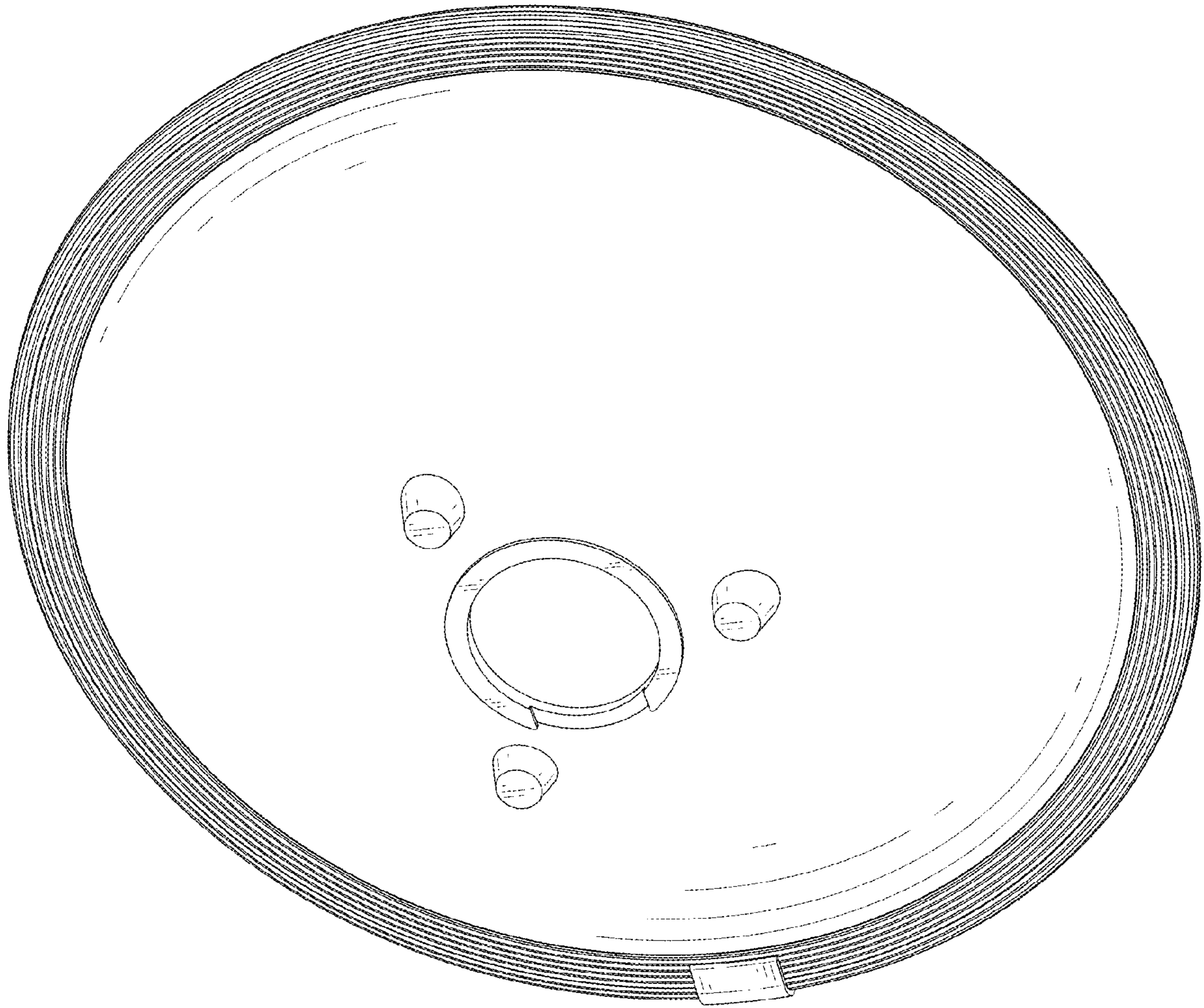


FIG. 2

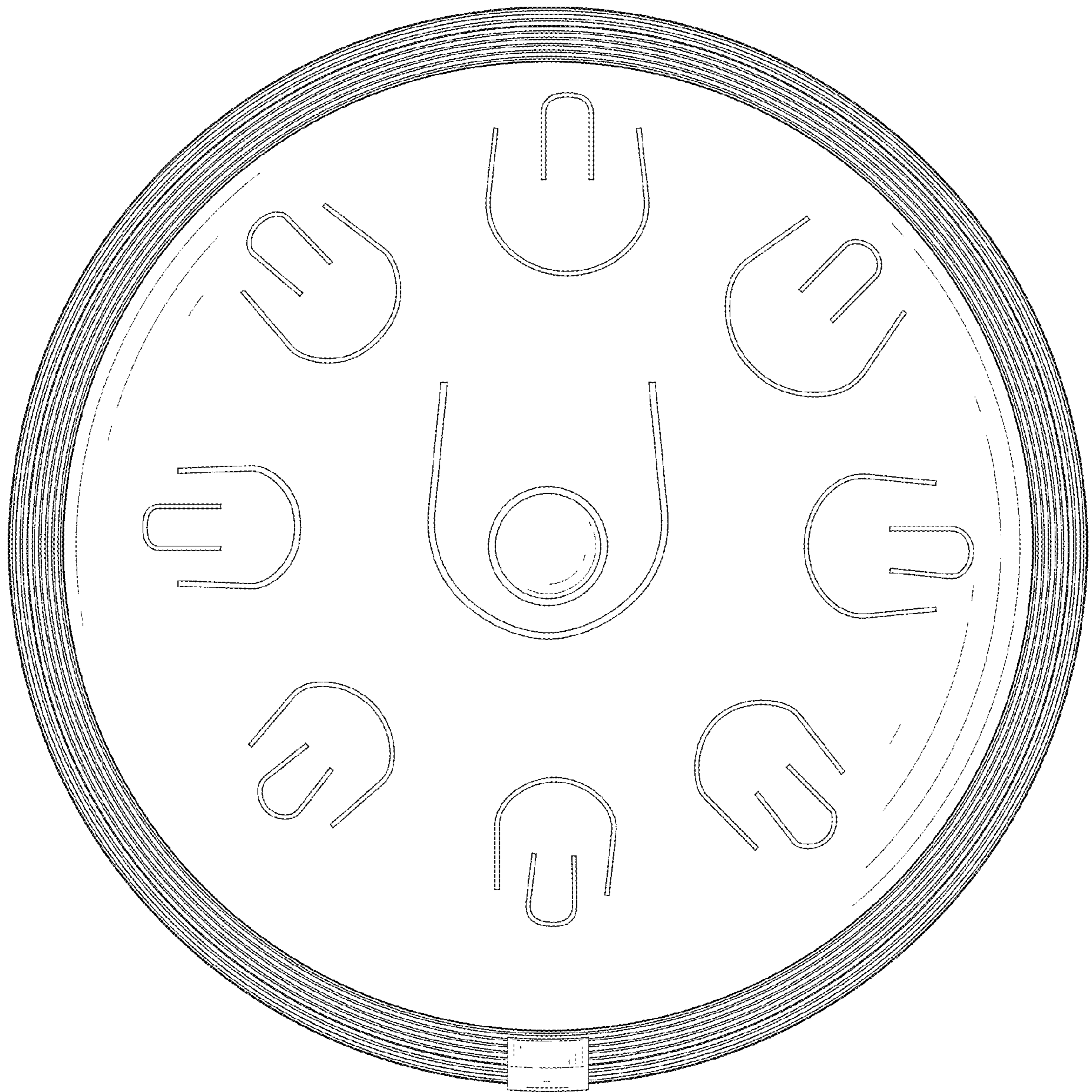


FIG. 3

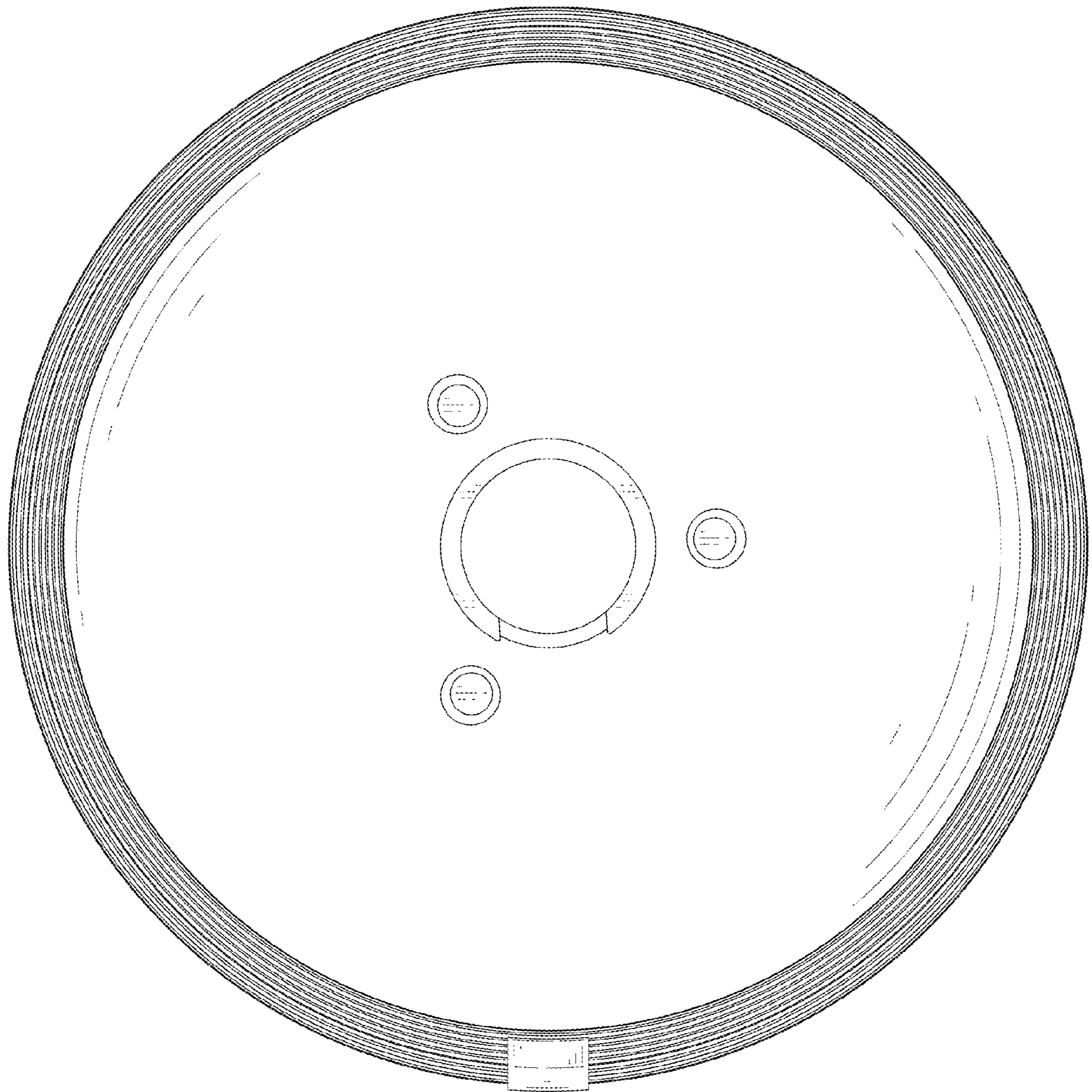


FIG. 4

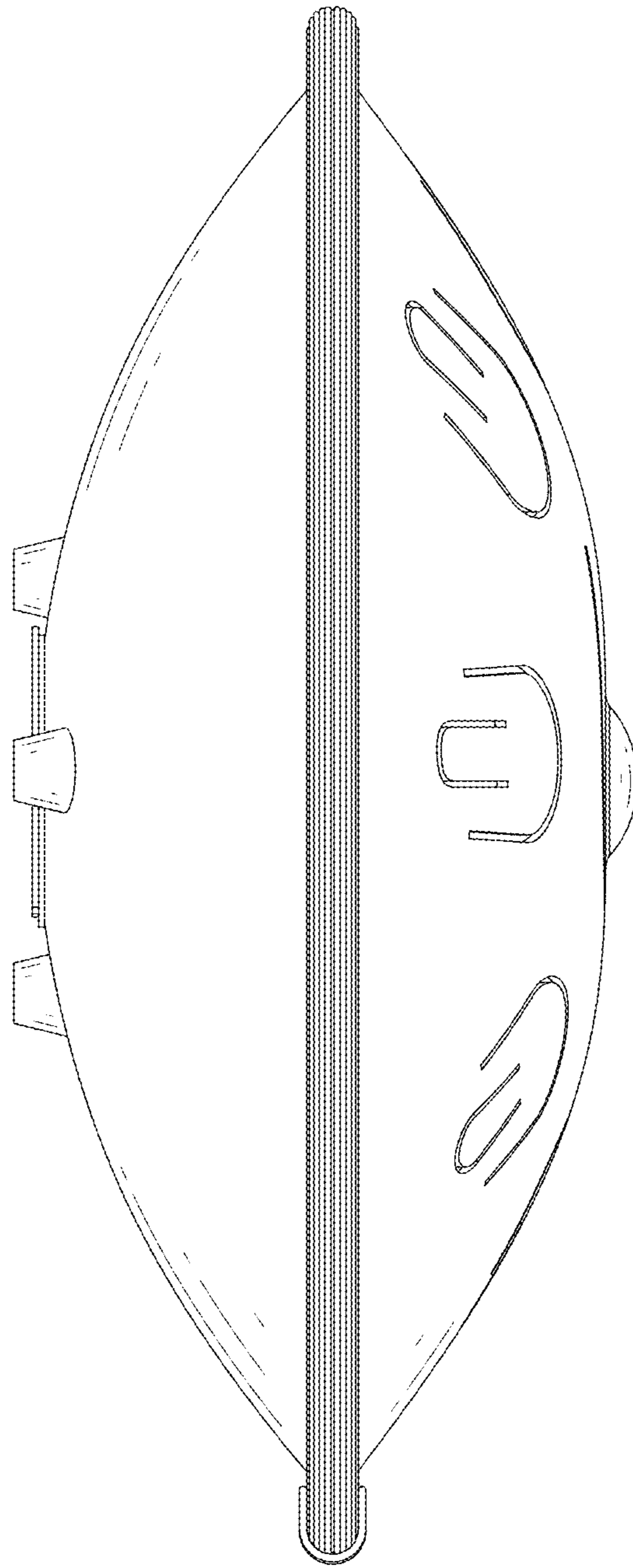


FIG. 5

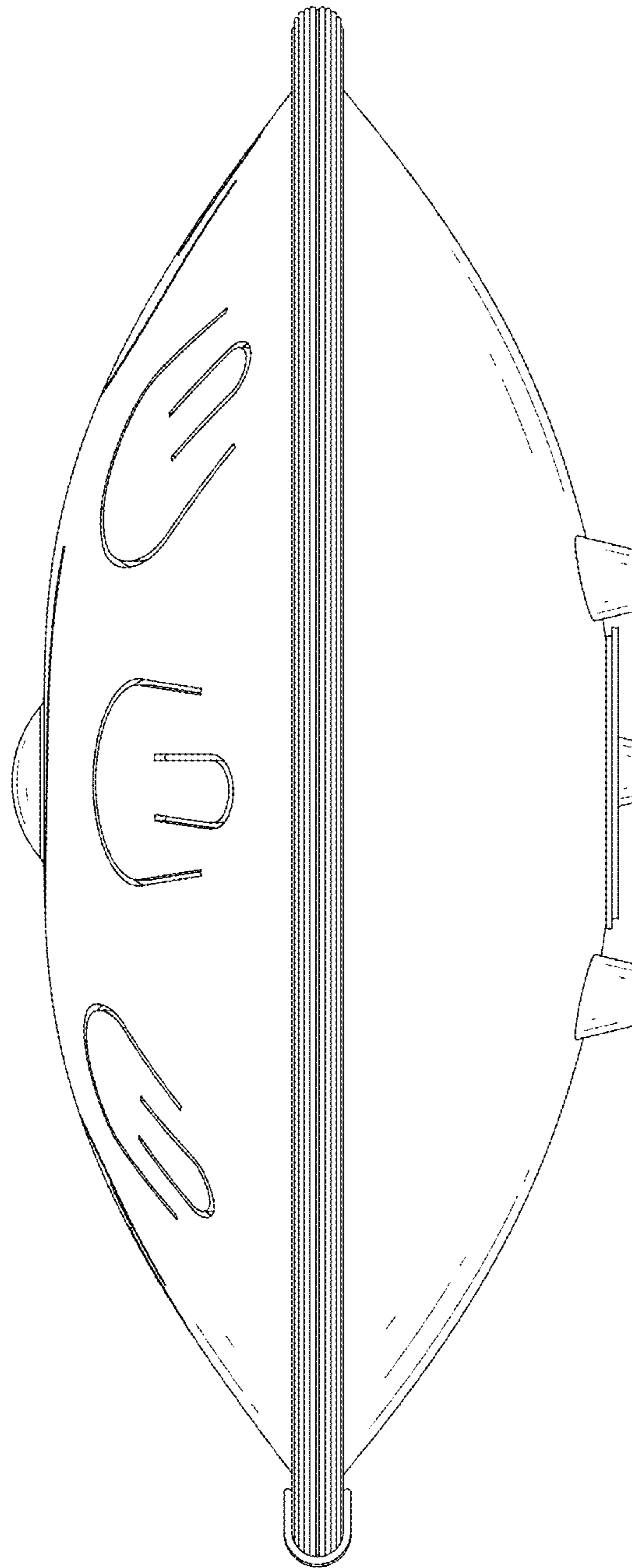


FIG. 6

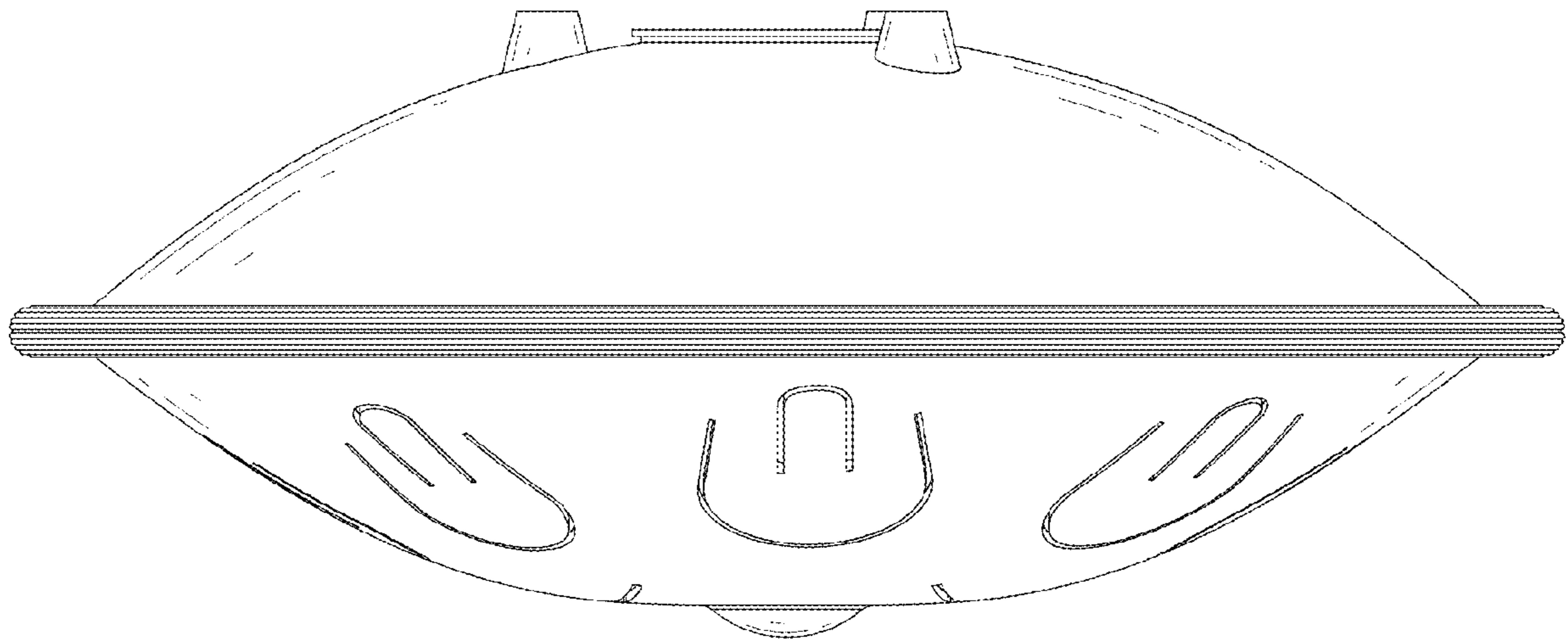


FIG. 7

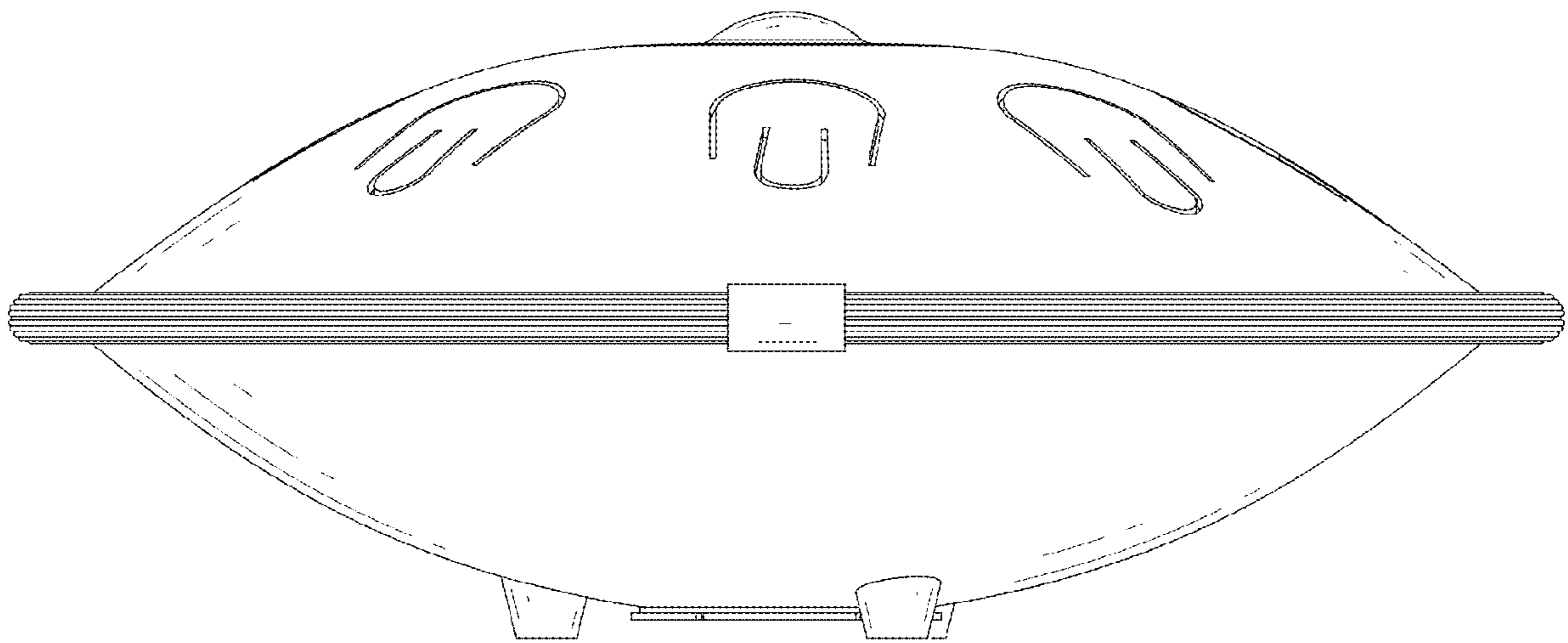


FIG. 8