



US00D944884S

(12) **United States Design Patent**
Xie

(10) **Patent No.:** **US D944,884 S**

(45) **Date of Patent:** **** Mar. 1, 2022**

- (54) **MOBILE PHONE FILM HOLDER**
- (71) Applicant: **Shenzhen Ri Yi Sheng Technology Co., Ltd.**, Shenzhen (CN)
- (72) Inventor: **Zhiyun Xie**, Longyan (CN)
- (**) Term: **15 Years**
- (21) Appl. No.: **29/702,232**
- (22) Filed: **Aug. 17, 2019**
- (51) **LOC (13) Cl.** **16-04**
- (52) **U.S. Cl.**
USPC **D16/250**; D14/250; D14/252
- (58) **Field of Classification Search**
USPC D14/251-253, 440, 447, 217, 238.1;
D12/415; D3/218, 247, 249; D13/108;
D6/310; D8/353
CPC H04M 1/04; H04M 1/21; H04M 1/0266;
F16M 13/00; F16M 11/041; B60R
11/0241; B60R 11/0252; B60R
2011/0059; B60R 2011/0063; B60R
2011/0005; B60R 2011/0003; B60R
2011/0078; H02J 7/0027; H02J 2310/22;
A45F 2200/0516; A45F 5/00; A45F
2200/0525; A45F 5/10; A45C 2011/002;
G03B 17/561; G03B 27/582; A47B
97/04; G09F 1/00
See application file for complete search history.

- D713,443 S * 9/2014 Fliger D16/250
- D723,022 S * 2/2015 Miles D14/253
- D786,231 S * 5/2017 Dowless D14/250
- D788,093 S * 5/2017 Lee D14/250
- D840,988 S * 2/2019 Kim D14/250
- D854,535 S * 7/2019 Hyun D14/250
- D916,069 S * 4/2021 Kwon D14/250
- D917,441 S * 4/2021 Kim D14/250
- D920,965 S * 6/2021 Lim D14/250
- D925,514 S * 7/2021 Chung D14/250
- D928,135 S * 8/2021 Kim D14/250
- D928,136 S * 8/2021 Kim D14/250
- D929,389 S * 8/2021 Ryu D14/250
- 2019/0215388 A1 * 7/2019 Cantoli-Alves A45C 13/185

* cited by examiner

Primary Examiner — Janice Hallmark

(57) **CLAIM**

The ornamental design for a mobile phone film holder, as shown and described.

DESCRIPTION

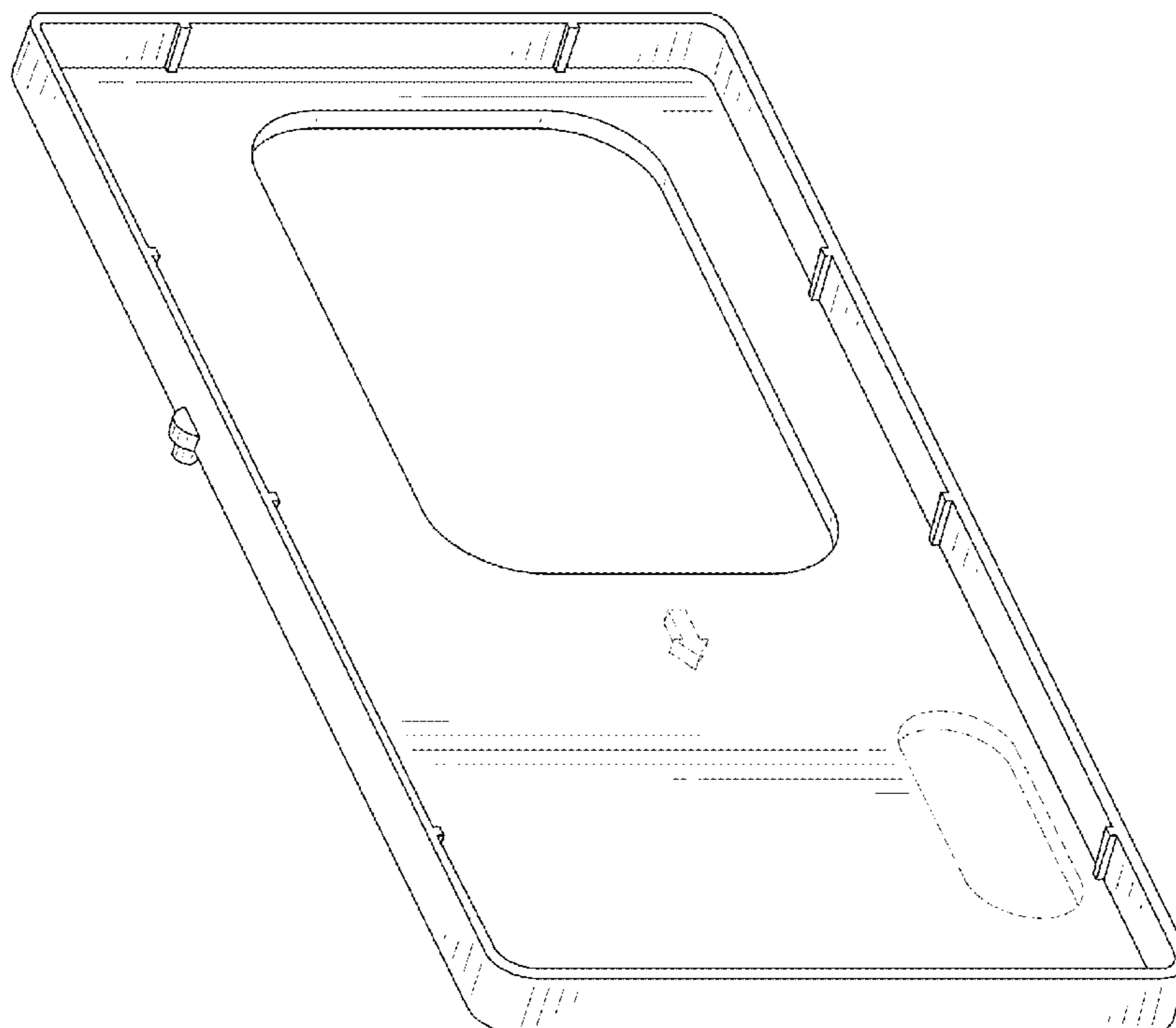
FIG. 1 is a perspective view of a mobile phone film holder showing my design;
FIG. 2 is a front view thereof;
FIG. 3 is a back view thereof;
FIG. 4 is a left side view thereof;
FIG. 5 is a right side view thereof;
FIG. 6 is a top view thereof; and,
FIG. 7 is a bottom view thereof.

The broken lines shown in the drawings depict portions of the mobile phone film holder in which the design is embodied that form no part of the claimed design.

1 Claim, 7 Drawing Sheets

(56) **References Cited**
U.S. PATENT DOCUMENTS

- D29,112 S * 7/1898 Thomas D16/250
- D703,650 S * 4/2014 Ehrlich D14/250



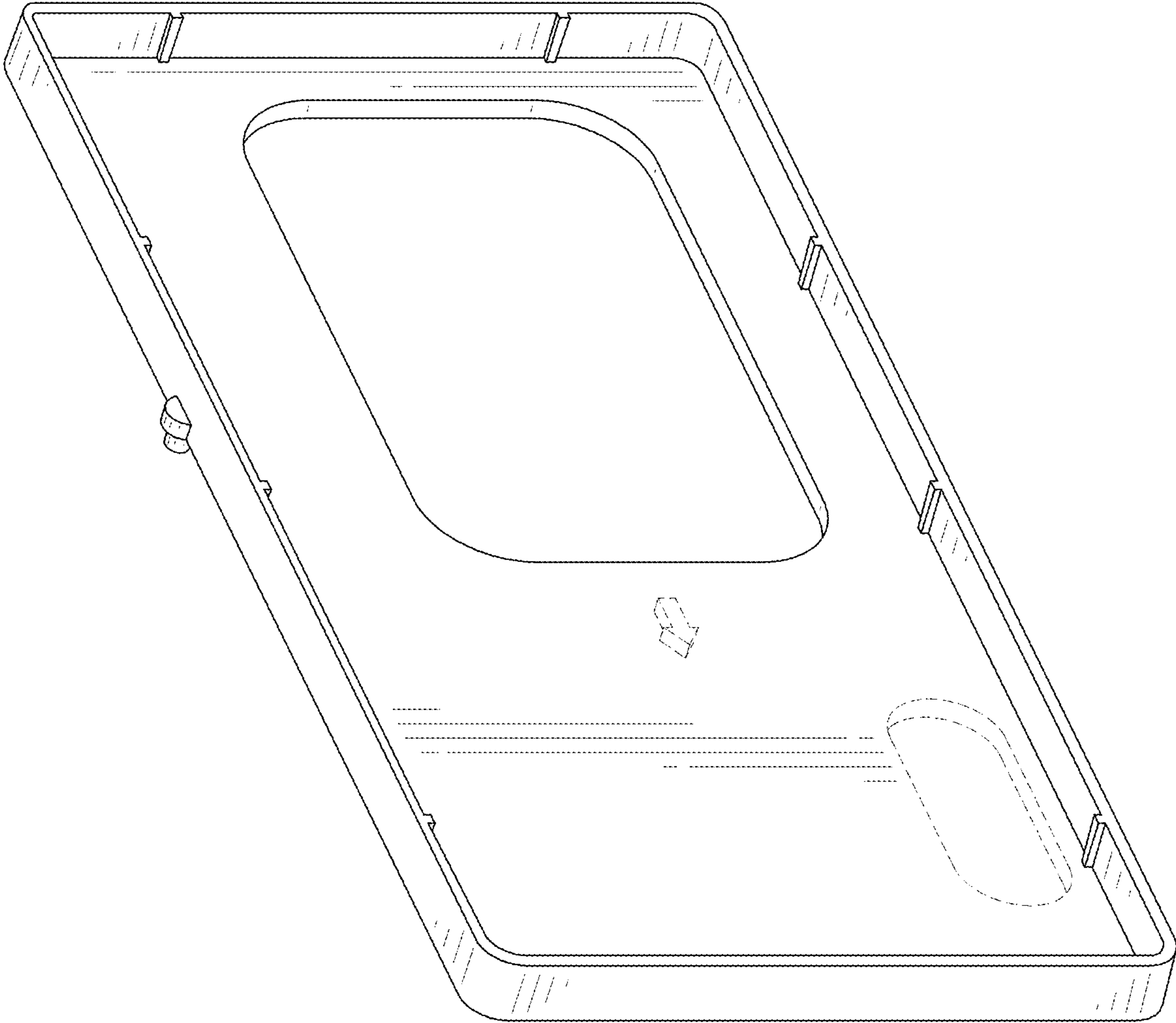


FIG. 1

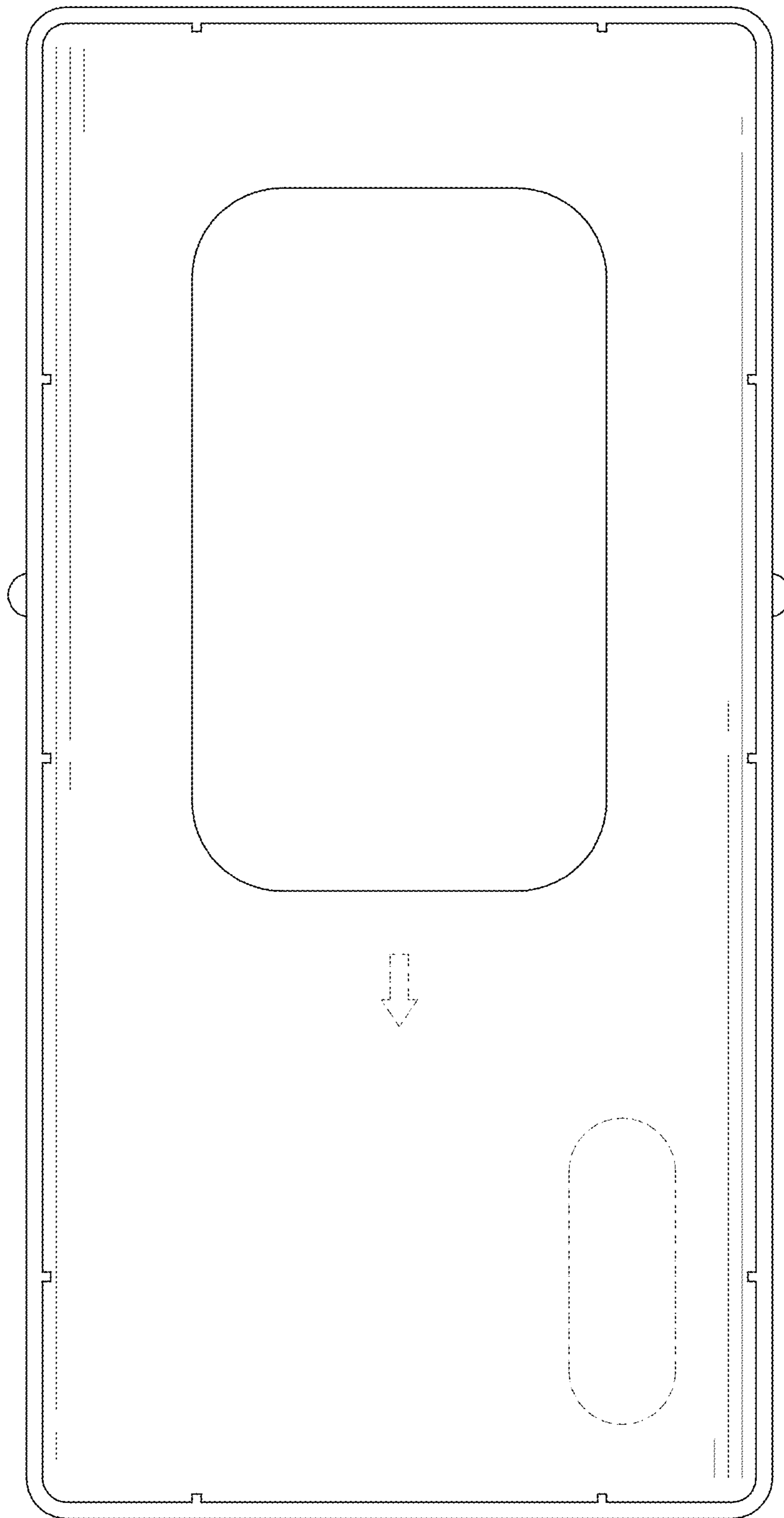


FIG. 2

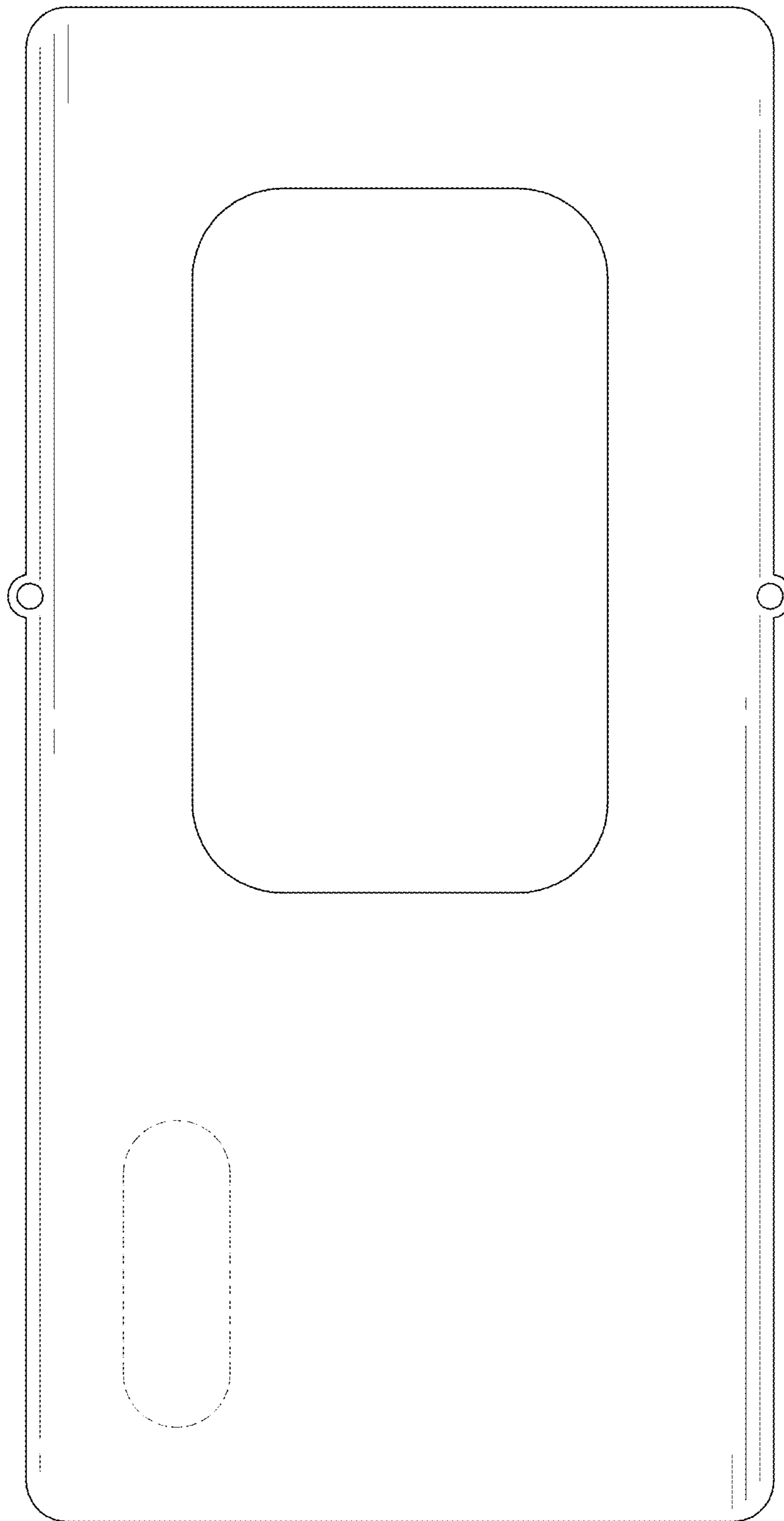


FIG. 3

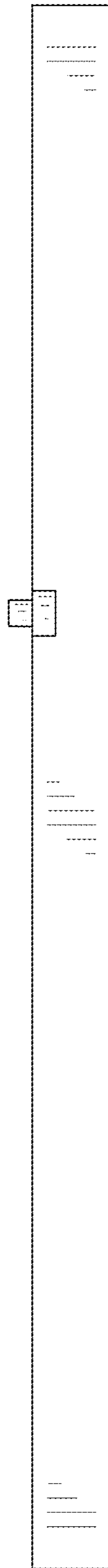


FIG. 4

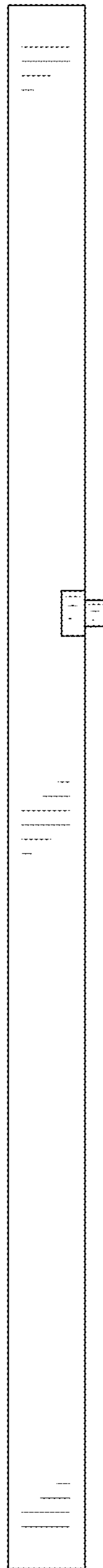


FIG. 5

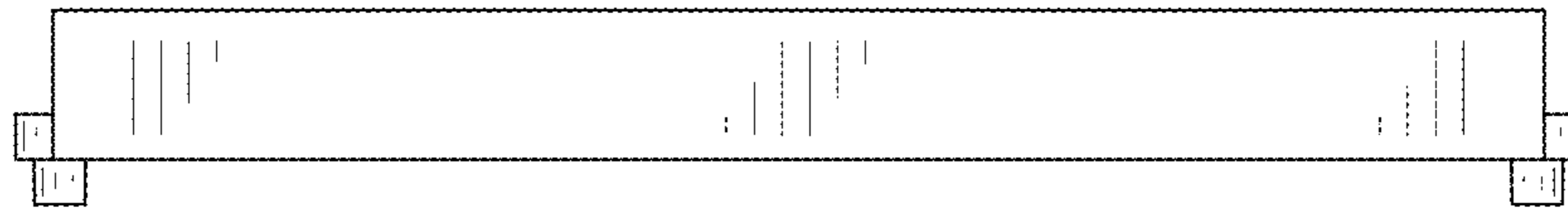


FIG. 6

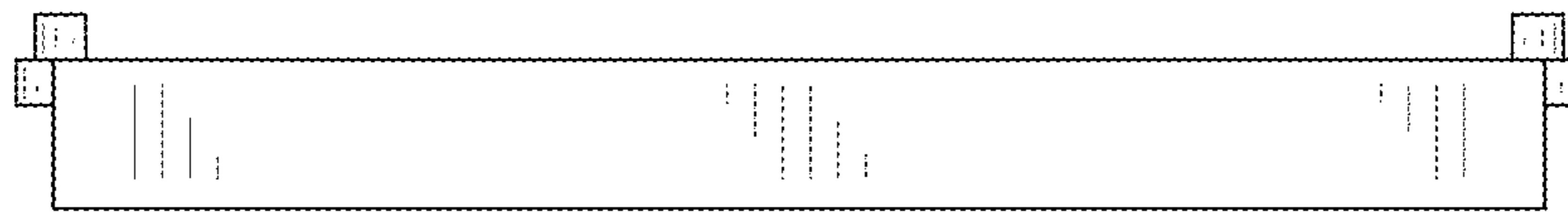


FIG. 7