



US00D944883S

(12) **United States Design Patent**
Li et al.

(10) **Patent No.:** **US D944,883 S**
(45) **Date of Patent:** **** Mar. 1, 2022**

(54) **TRIPOD**
(71) Applicant: **GUANGDONG SIRUI OPTICAL CO., LTD.**, Zhongshan (CN)
(72) Inventors: **Jie Li**, Zhongshan (CN); **Weiliang Zhong**, Zhongshan (CN); **Hang Chen**, Zhongshan (CN)
(73) Assignee: **GUANGDONG SIRUI OPTICAL CO., LTD.**, Zhongshan (CN)
(**) Term: **15 Years**
(21) Appl. No.: **29/697,291**
(22) Filed: **Jul. 7, 2019**

D607,037 S * 12/2009 Lee D16/244
9,383,632 B2 * 7/2016 Speggiorin F16M 11/242
D807,421 S * 1/2018 Yin D16/244
D860,299 S * 9/2019 Li D16/244
D864,282 S * 10/2019 Liu D16/244
D888,814 S * 6/2020 Chen D16/244
2008/0224000 A1 * 9/2008 Yang G03B 17/561
248/188.5
2009/0250567 A1 * 10/2009 Raynaud F16M 11/16
248/168
2010/0019109 A1 * 1/2010 Liu F16M 11/046
248/168
2011/0260016 A1 * 10/2011 Johnson F16M 11/16
248/168
2015/0076296 A1 * 3/2015 Yang F16M 11/26
248/163.2

(Continued)

(30) **Foreign Application Priority Data**
Jan. 25, 2019 (CN) 201930044239.2
(51) **LOC (13) Cl.** **16-05**
(52) **U.S. Cl.**
USPC **D16/244**
(58) **Field of Classification Search**
USPC D16/219, 237-250; D8/354, 355, 363,
D8/373, 382-383, 394-396; D14/224,
D14/229, 238, 251, 253, 447, 451, 457
CPC A45F 5/00; A45F 5/10; A45F
2200/0508-0533; F16M 11/06-10; F16M
11/14; G03B 17/56; G03B 17/561-566;
H04N 5/2253-2254
See application file for complete search history.

OTHER PUBLICATIONS

A Series—SIRUI Optical Co. [online] Published on Aug. 15, 2019. Retrieved Oct. 20, 2020 from URL: <https://www.sirui.com/index/photographic/a.html>.*

(Continued)

Primary Examiner — Vy N Koenig
(74) *Attorney, Agent, or Firm* — Loeb & Loeb LLP

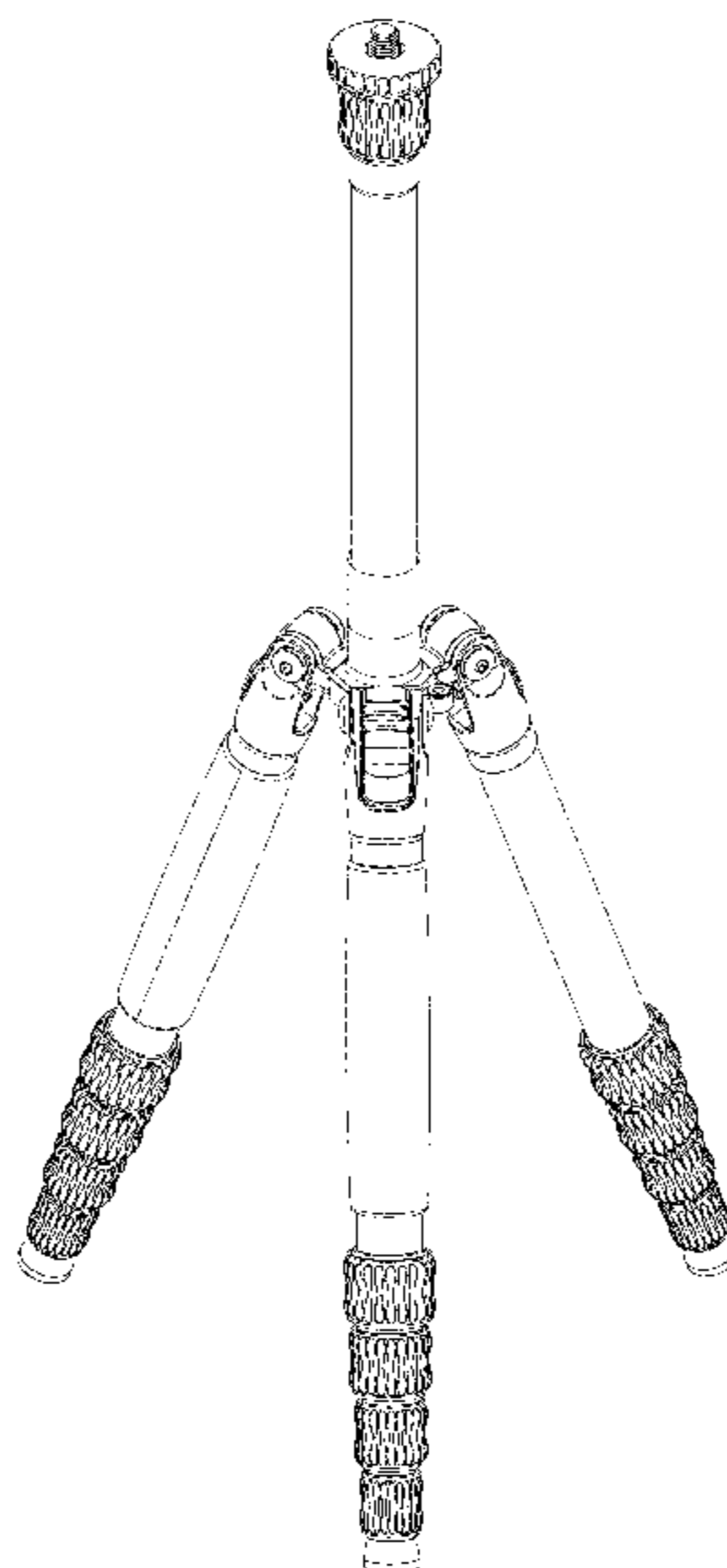
(56) **References Cited**
U.S. PATENT DOCUMENTS
6,824,319 B1 * 11/2004 Speggiorin F16C 11/10
248/168
6,983,916 B2 * 1/2006 Raynaud F16M 11/046
248/163.2
D600,737 S * 9/2009 Sudhana D16/244

(57) **CLAIM**
The ornamental design for a tripod, as shown and described.

DESCRIPTION

FIG. 1 is a perspective view of a tripod series showing our new design;
FIG. 2 is a front view thereof;
FIG. 3 is a rear view thereof;
FIG. 4 is a right side view thereof;
FIG. 5 is a left side view thereof;
FIG. 6 is a bottom view thereof; and,
FIG. 7 is a top view thereof.

1 Claim, 7 Drawing Sheets



(56)

References Cited

U.S. PATENT DOCUMENTS

2015/0338017 A1* 11/2015 De Faveri F16M 11/16
396/428
2019/0003635 A1* 1/2019 Li F16M 11/245
2020/0292124 A1* 9/2020 Li F16M 11/16

OTHER PUBLICATIONS

Midwest Photo Induro Carbon 8X Tripod CT-213. [online] Retrieved
Oct. 20, 2020 from URL:[https://mpex.com/induro-carbon-8x-tripod-
ct-213.html](https://mpex.com/induro-carbon-8x-tripod-ct-213.html).*

* cited by examiner

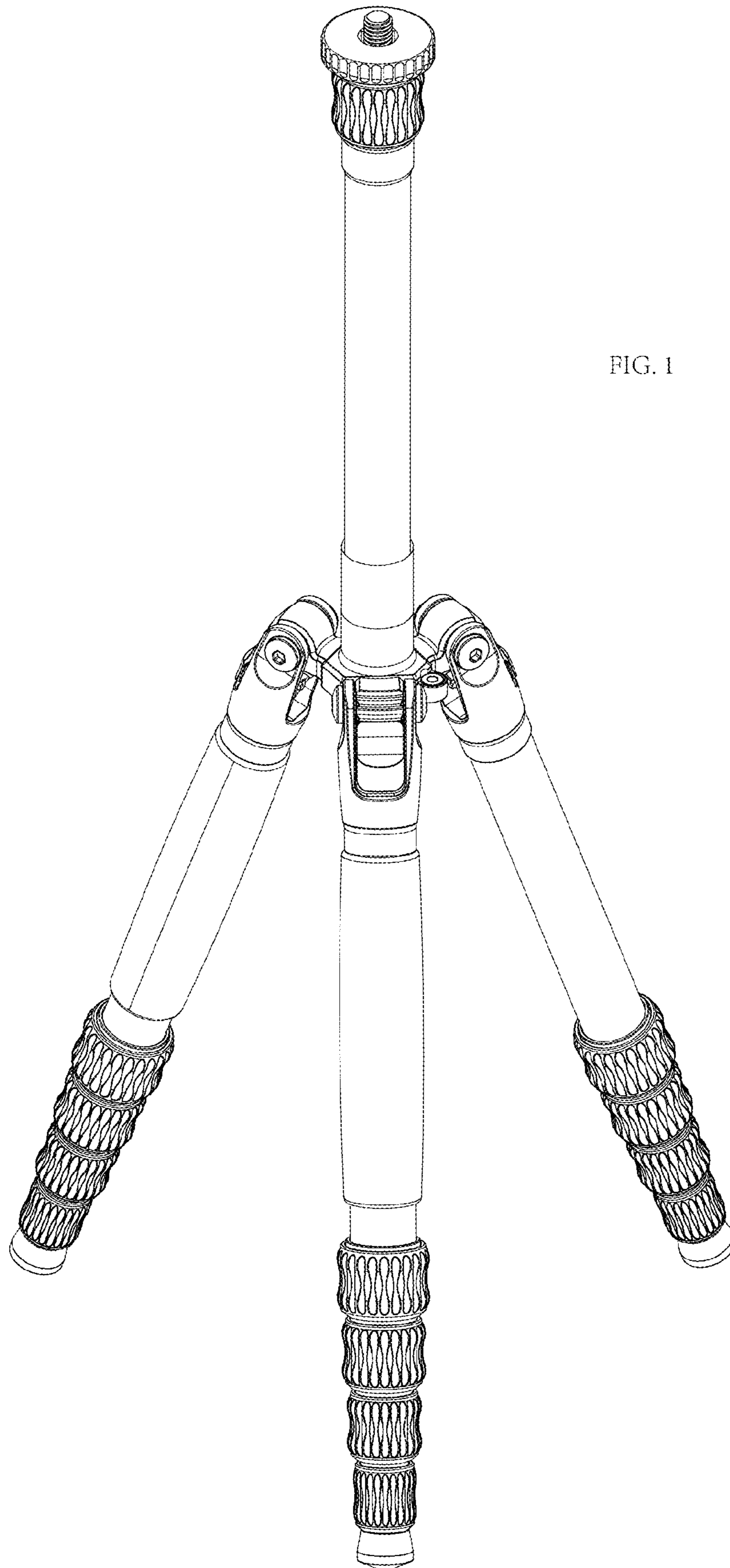


FIG. 1

FIG. 2

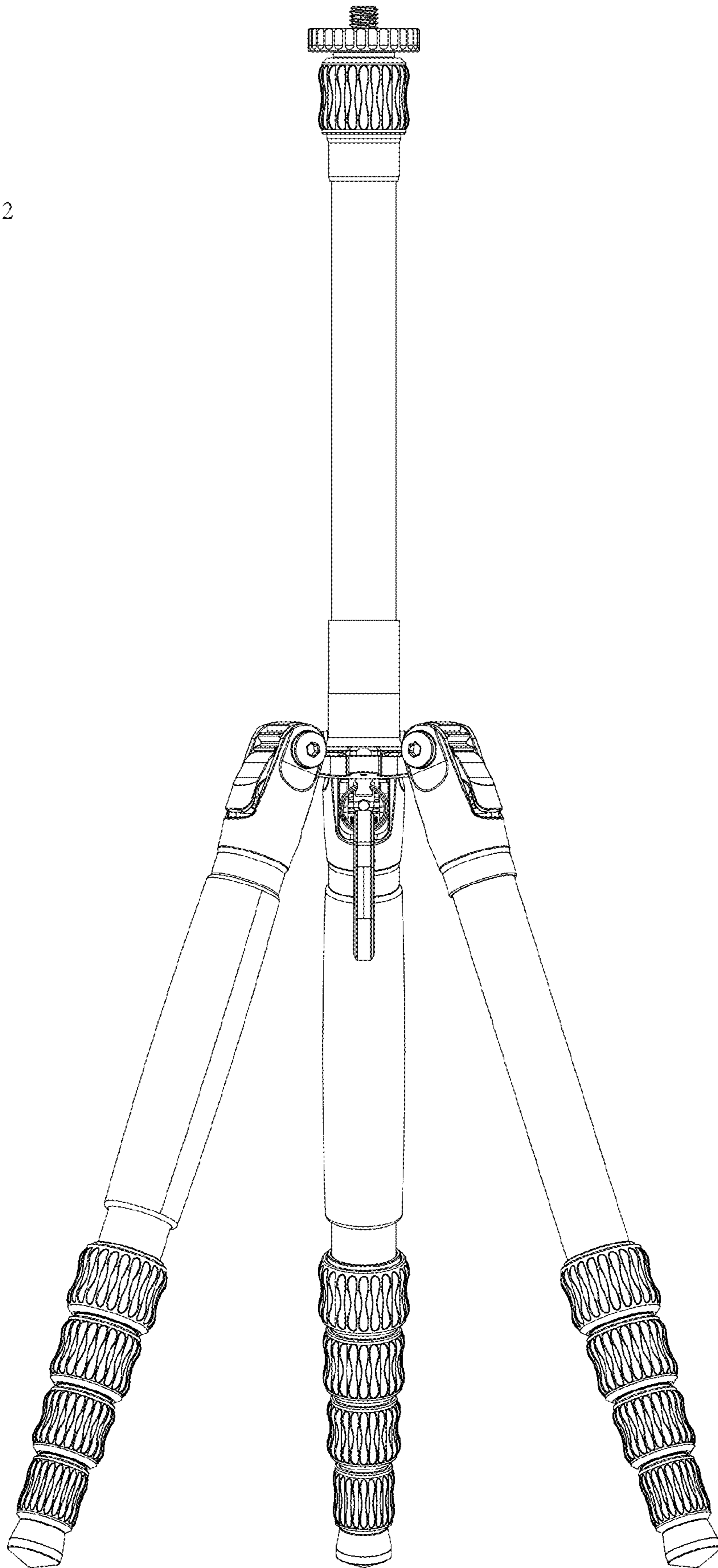
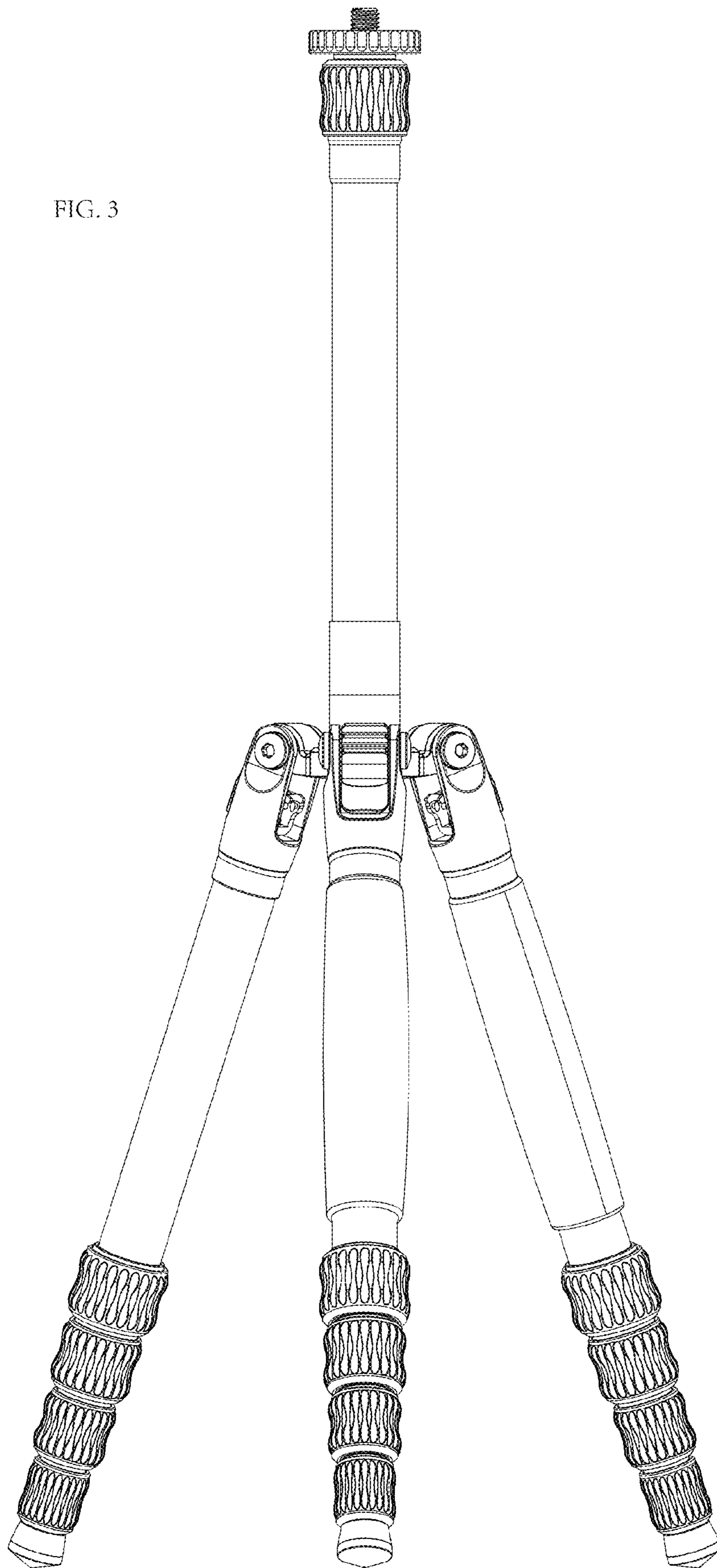


FIG. 3



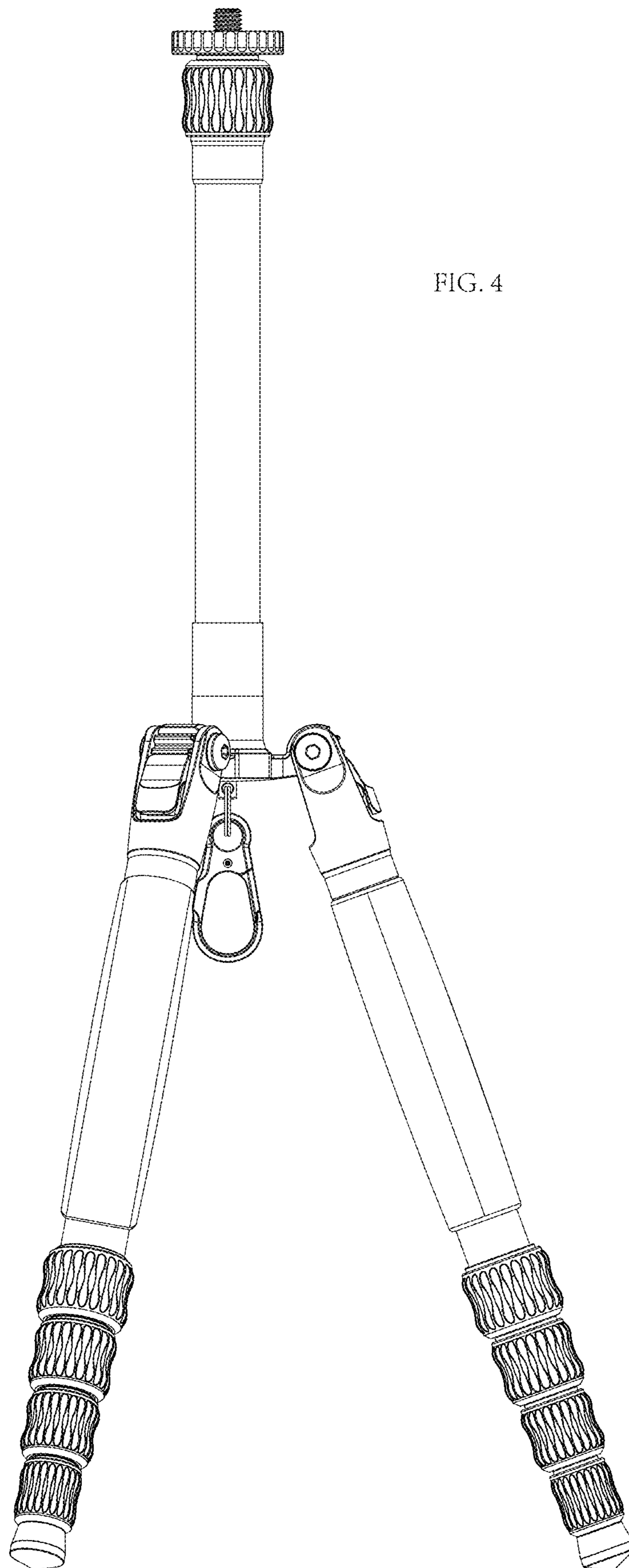


FIG. 4

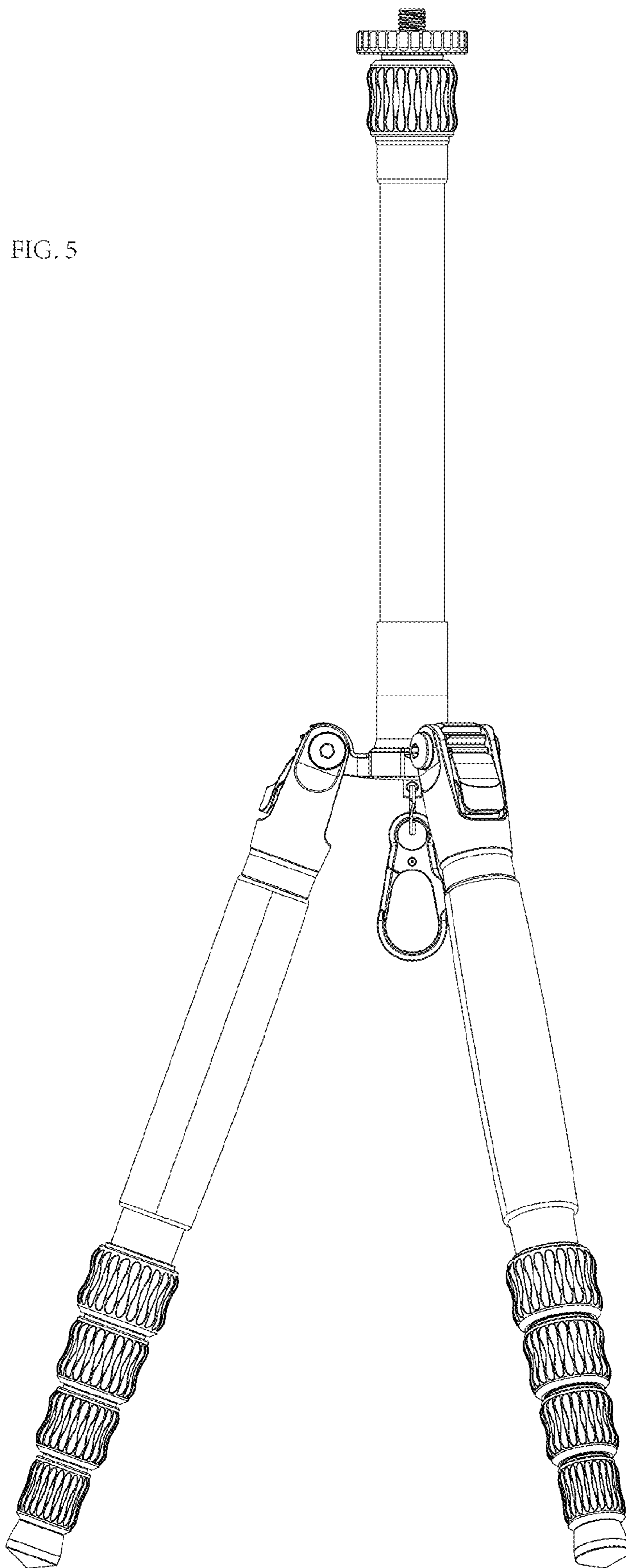


FIG. 5

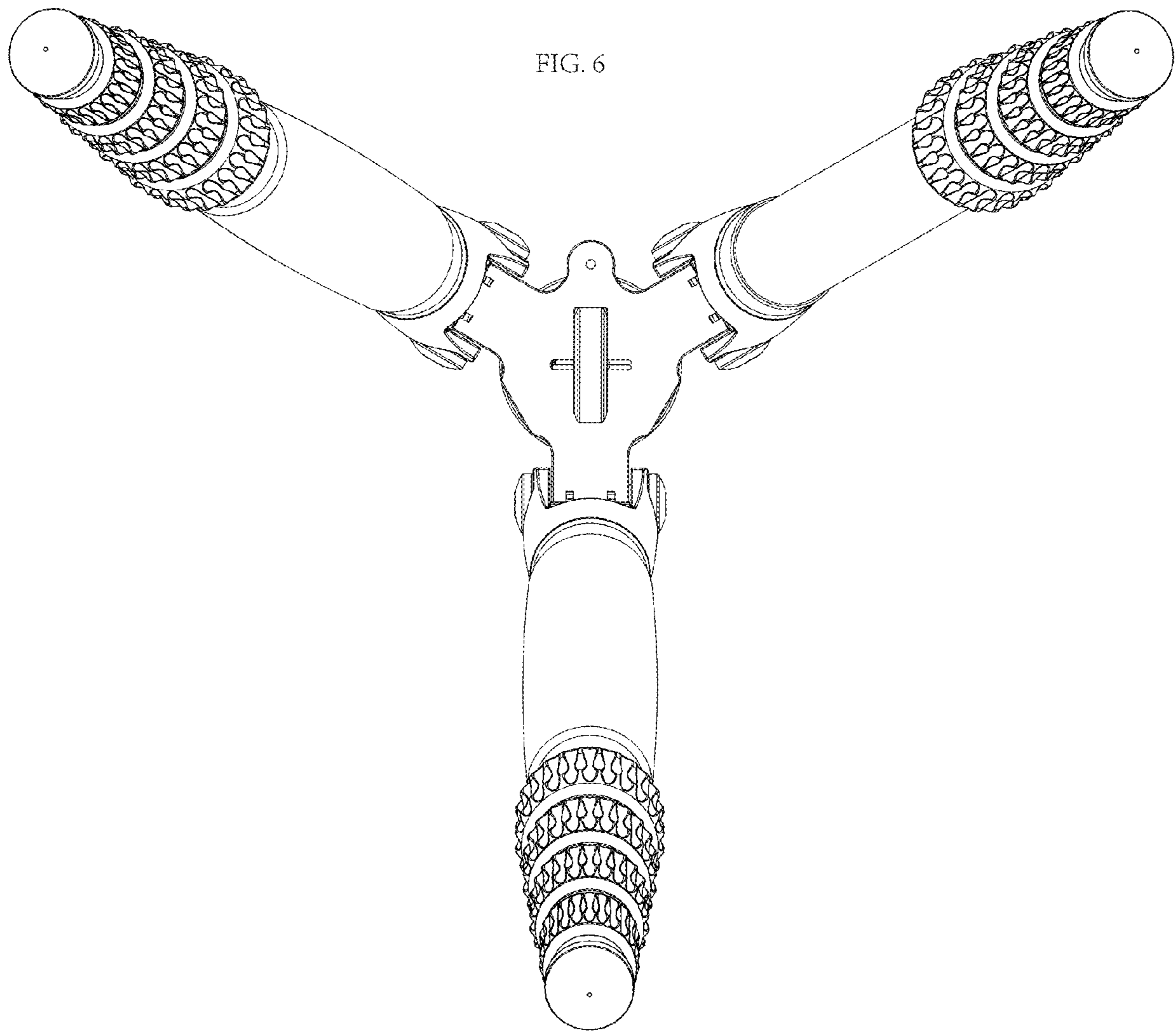


FIG. 7

