

US00D944880S

(12) **United States Design Patent**
Chen

(10) **Patent No.:** **US D944,880 S**
(45) **Date of Patent:** **** Mar. 1, 2022**

- (54) **CONFERENCE WEBCAM**
- (71) Applicant: **Shenzhen eMeet Technology Co., Ltd.**,
Shenzhen (CN)
- (72) Inventor: **Wenming Chen**, Shenzhen (CN)
- (73) Assignee: **Shenzhen eMeet Technology Co., Ltd.**,
Shenzhen (CN)
- (**) Term: **15 Years**
- (21) Appl. No.: **29/753,072**
- (22) Filed: **Sep. 30, 2020**
- (51) **LOC (13) Cl.** **16-01**
- (52) **U.S. Cl.**
USPC **D16/202**
- (58) **Field of Classification Search**
USPC D16/200–204, 207–208, 219, 218;
D10/61, 63, 65, 70, 71, 104.1, 106.7;
D14/203.1, 204, 209.1, 496, 497
CPC G03B 15/03; G03B 17/02; G03B 17/04;
G03B 17/56; G03B 19/04; H04N 7/141;
H04N 7/142; H04N 7/147; H04N 7/148;
H04N 7/15; H04N 7/152; H04N 5/2251;
H04N 5/2252; H04N 5/2253; H04N
5/2254; H04N 2101/00; H04N 2007/145
See application file for complete search history.

(56) **References Cited**

U.S. PATENT DOCUMENTS

D647,937 S	*	11/2011	Raken	D16/203
D750,148 S	*	2/2016	Eriksen	D16/218
D924,300 S	*	7/2021	Zhao	D16/202

FOREIGN PATENT DOCUMENTS

EM	008191043-0001	*	10/2020
JP	D1680003	*	2/2021

OTHER PUBLICATIONS

“Conference Room Camera System, AI Tracking& Zooming eMeet Jupiter 1080P Webcam, Adjustable View Web Camera w/Software, All-in-One 1 Speaker& 4 Mics Enhanced Computer Camera, Plug&

Play w/Privacy Cover” from Amazon.com, first available Feb. 28, 2021 from the internet <https://www.amazon.com/Conference-Tracking-eMeet-Jupiter-Adjustable/dp/B08T1YWW48/ref=pd_rhf_dp_s_pd_idate_6/147-8003906-1505656?pd_rd_w=dXLLS&pf_rd_p=c652f708-20a7-4738-ae35-3e3b80fab45e&pf_rd_r=MZSP7R7XRDDHR0ZVSKKC&pd_rd_r=2892539b-06e2-41b8-9a08-84d0f981e880&pd_rd_wg=fqgXq&pd_rd_i=B08T1YWW48&psc=1> (Year: 2021).*
“Elgato Facecam—1080p60 Full HD Webcam for Video Conferencing, Gaming, Streaming, Sony Sensor, Fixed-Focus Glass Lens, Optimized for Indoor Lighting, Onboard Memory, Works with Zoom, Teams, PC/Mac” from Amazon.com, first available Sep. 7, 2021 from the internet <<https://www.amazon.com/Elgato-Facecam-Conferencing-Streaming-Fixed-Focus/dp/B0973DV11T>> (Year: 2021).*

(Continued)

Primary Examiner — Rosemary K Tarcza
Assistant Examiner — Lacey Chey Bowman
(74) *Attorney, Agent, or Firm* — Westbridge IP LLC

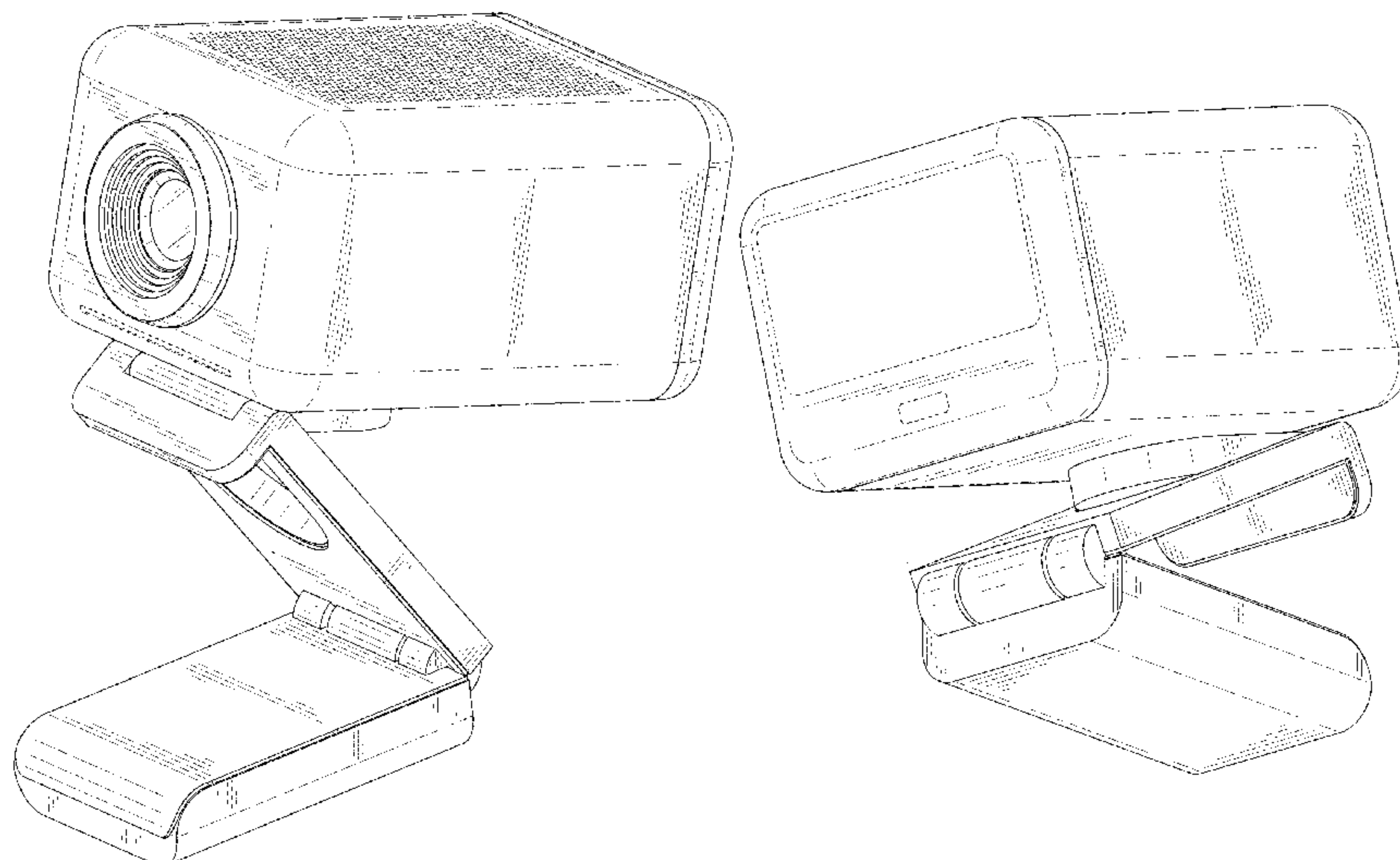
(57) **CLAIM**

The ornamental design for a conference webcam, as shown and described.

DESCRIPTION

FIG. 1 is a front perspective view of a conference webcam showing my new design;
FIG. 2 is a rear perspective view thereof;
FIG. 3 is a front elevational view thereof;
FIG. 4 is a rear elevational view thereof;
FIG. 5 is a left side view thereof;
FIG. 6 is a right side view thereof;
FIG. 7 is a top plan view thereof;
FIG. 8 is a bottom plan view thereof;
FIG. 9 is a perspective view thereof in another unfolded state; and,
FIG. 10 is a perspective view thereof in a folded state.
The broken lines in the drawings illustrate the portions of the conference webcam which form no part of the claimed design.

1 Claim, 10 Drawing Sheets



(56)

References Cited

OTHER PUBLICATIONS

“Logitech StreamCam, Live Streaming Webcam, Full 1080p HD 60fps Vertical Video, Smart auto Focus and Exposure, Dual Camera-Mount Versatility, with USB-C, for YouTube, Gaming Twitch, PC/Mac—White” from Amazon.com, first available Oct. 28, 2020 from the internet <<https://www.amazon.com/Logitech-StreamCam-Streaming-Camera-Mount-Versatility/dp/B07W4DHS5B>> (Year: 2020).*

* cited by examiner

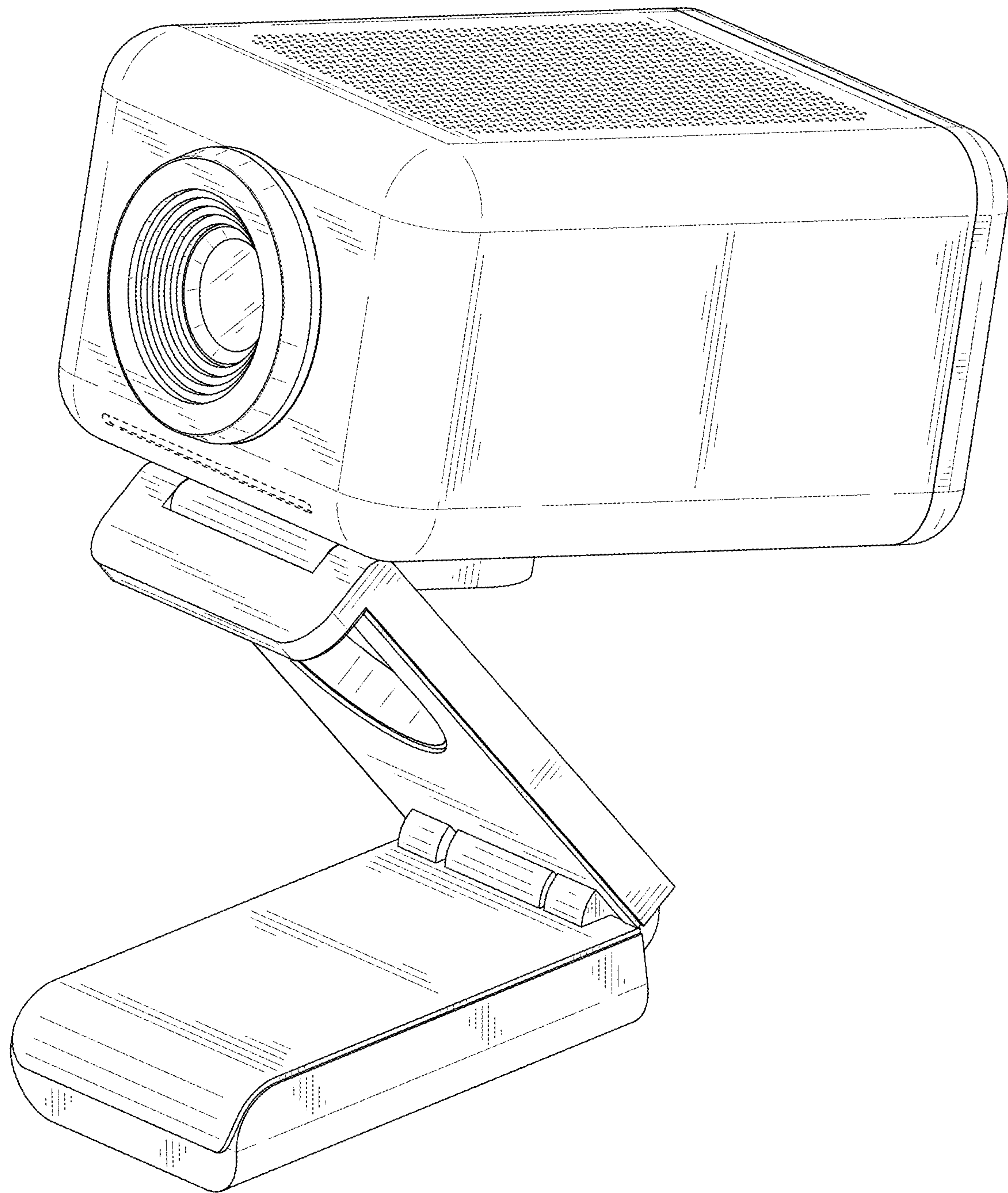


FIG. 1

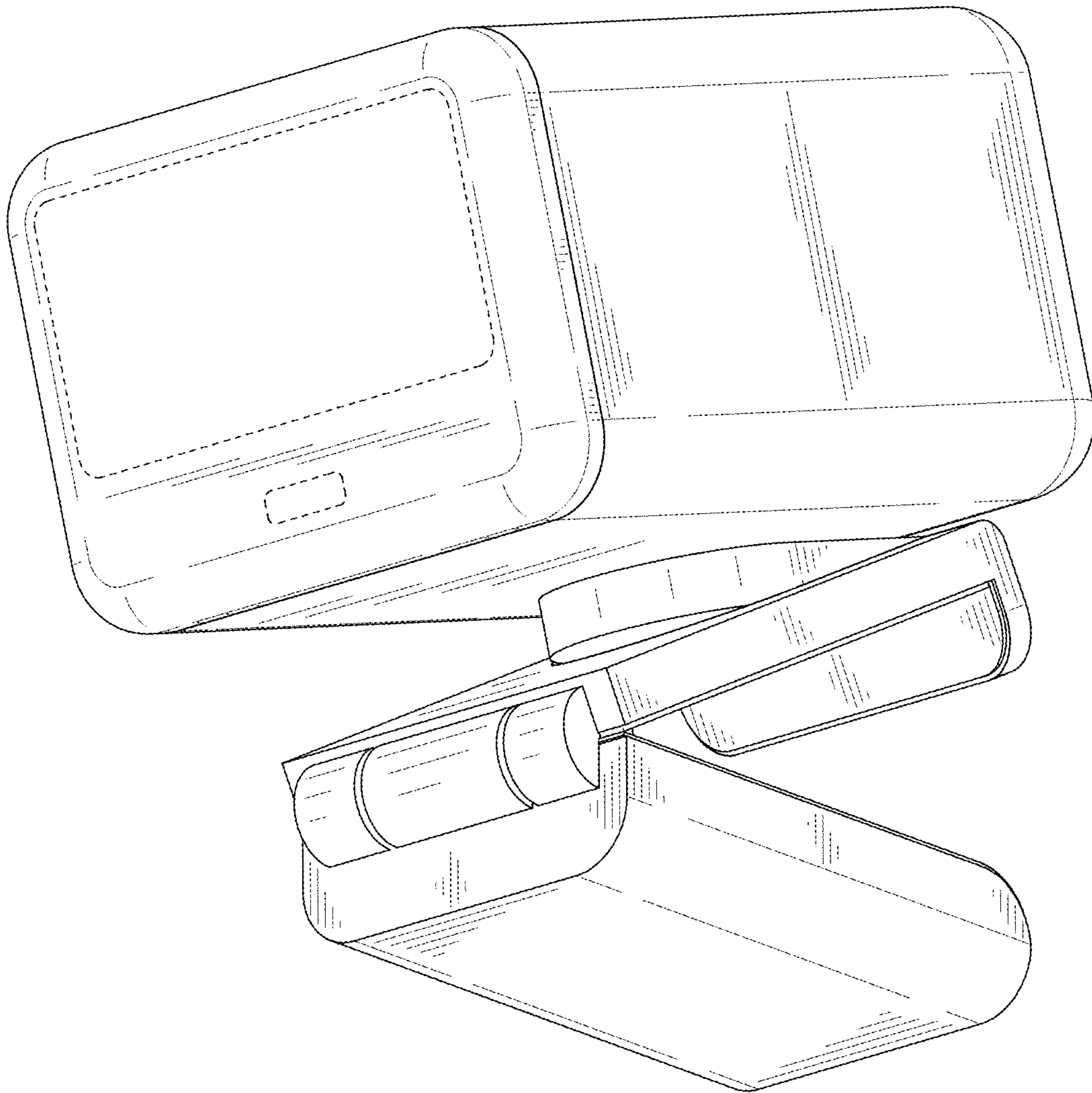


FIG. 2

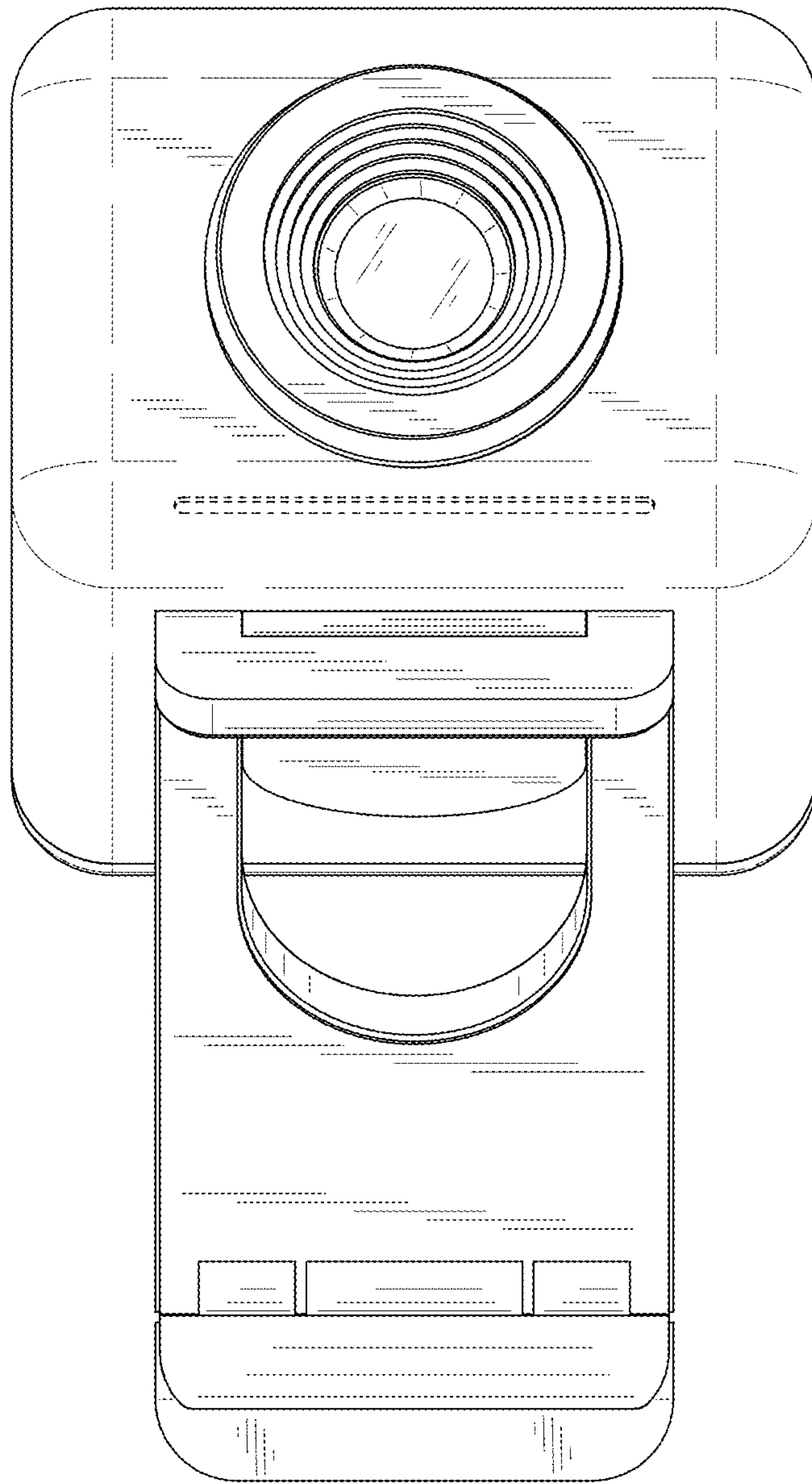


FIG. 3

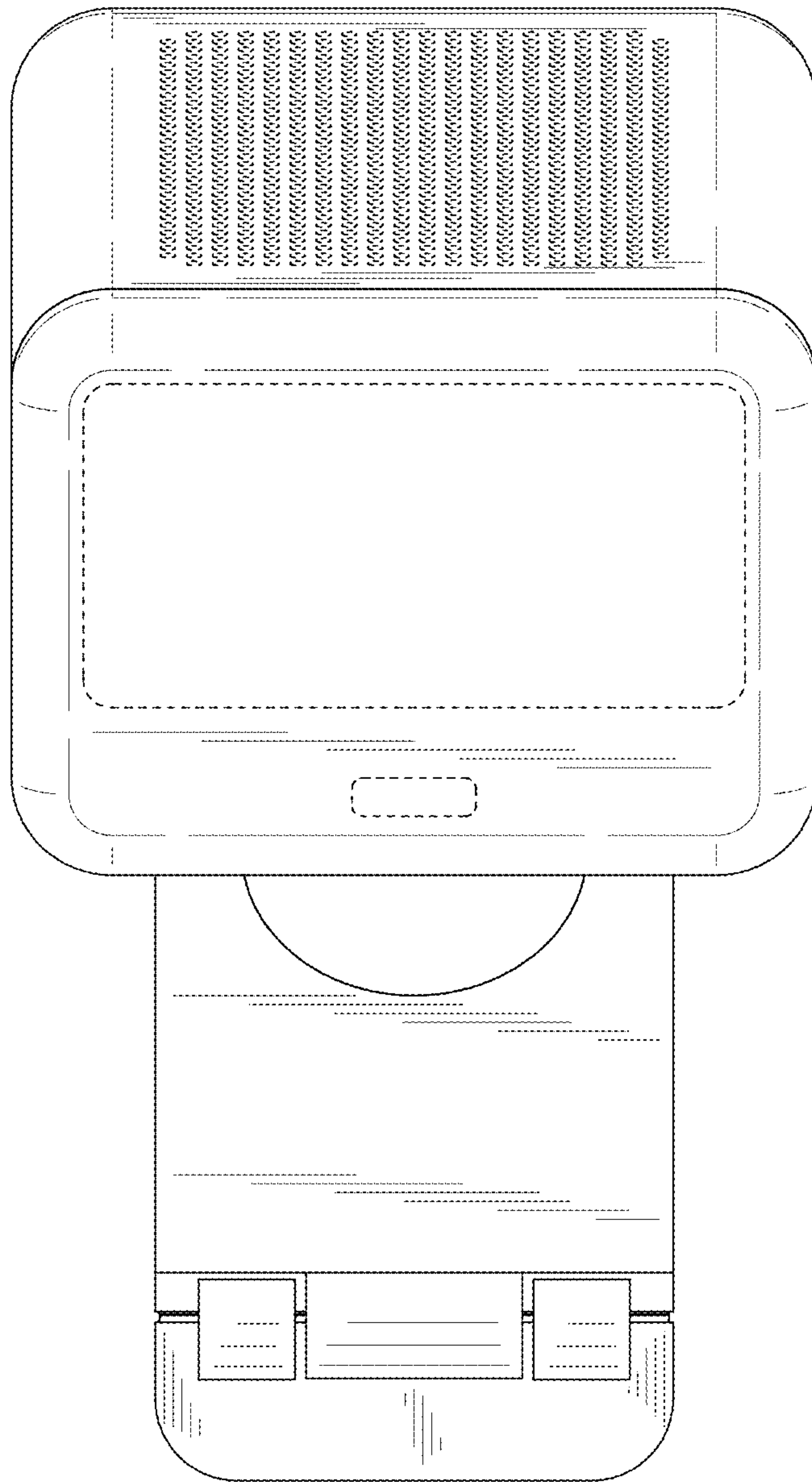


FIG. 4

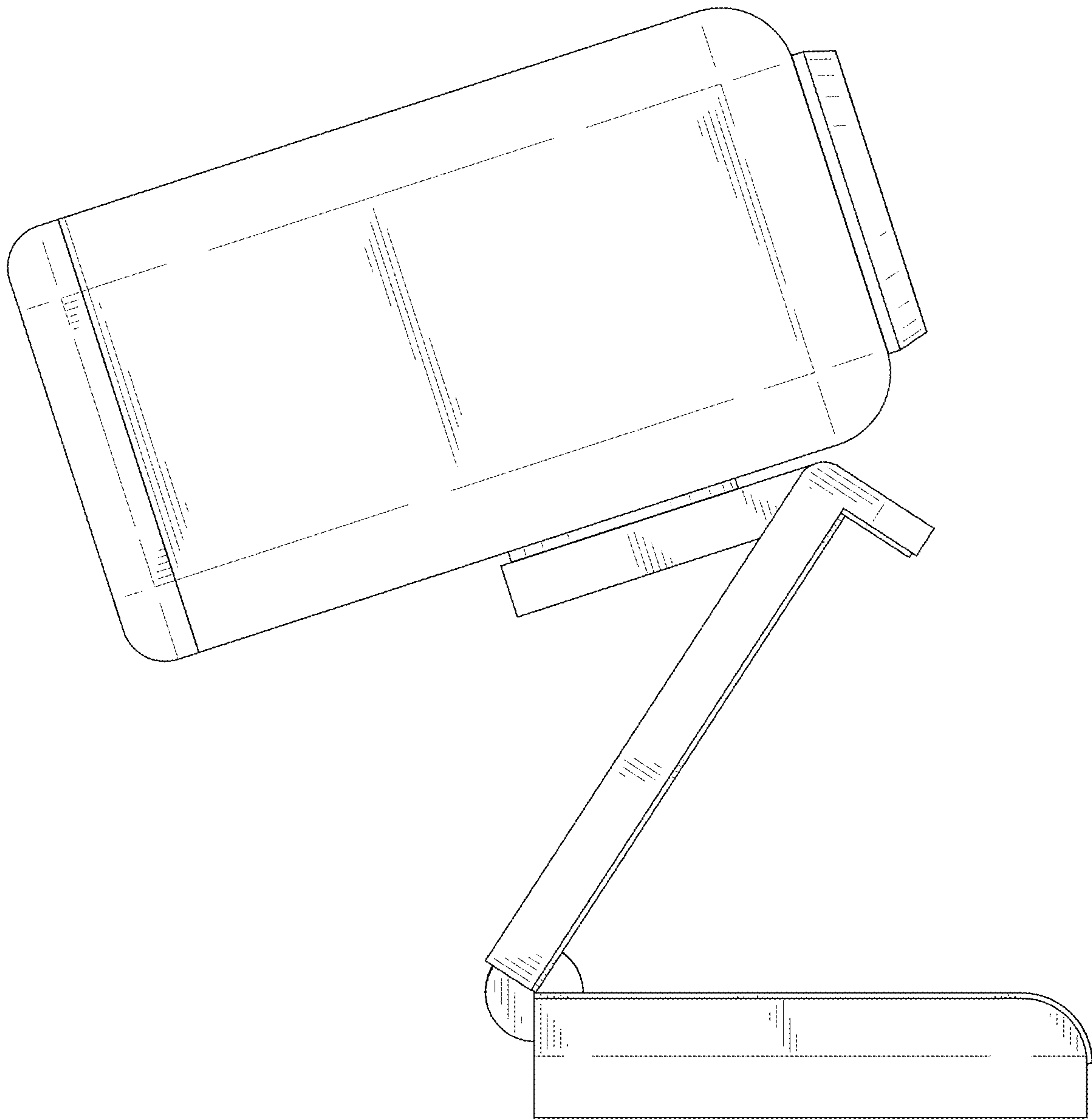


FIG. 5

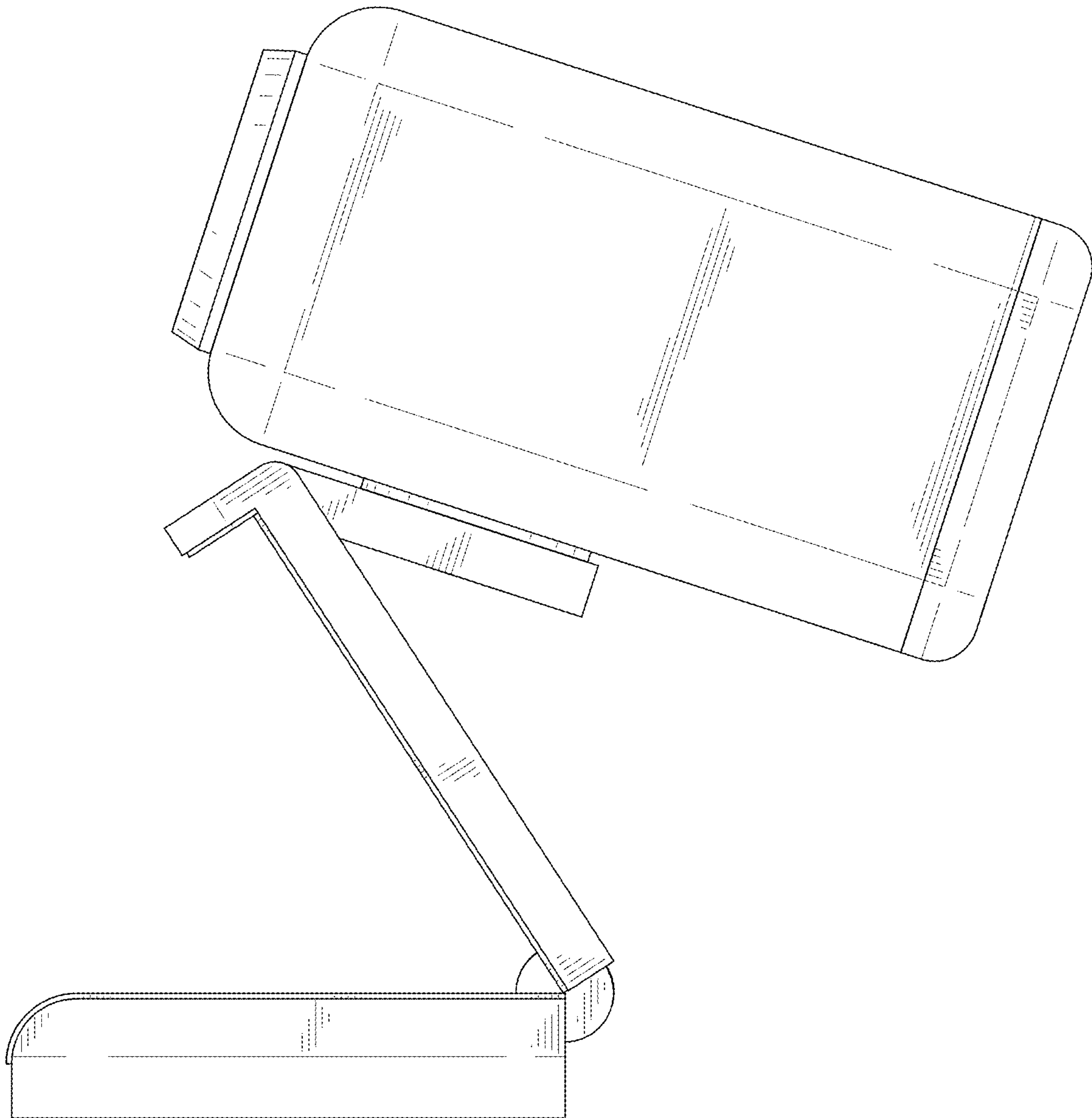


FIG. 6

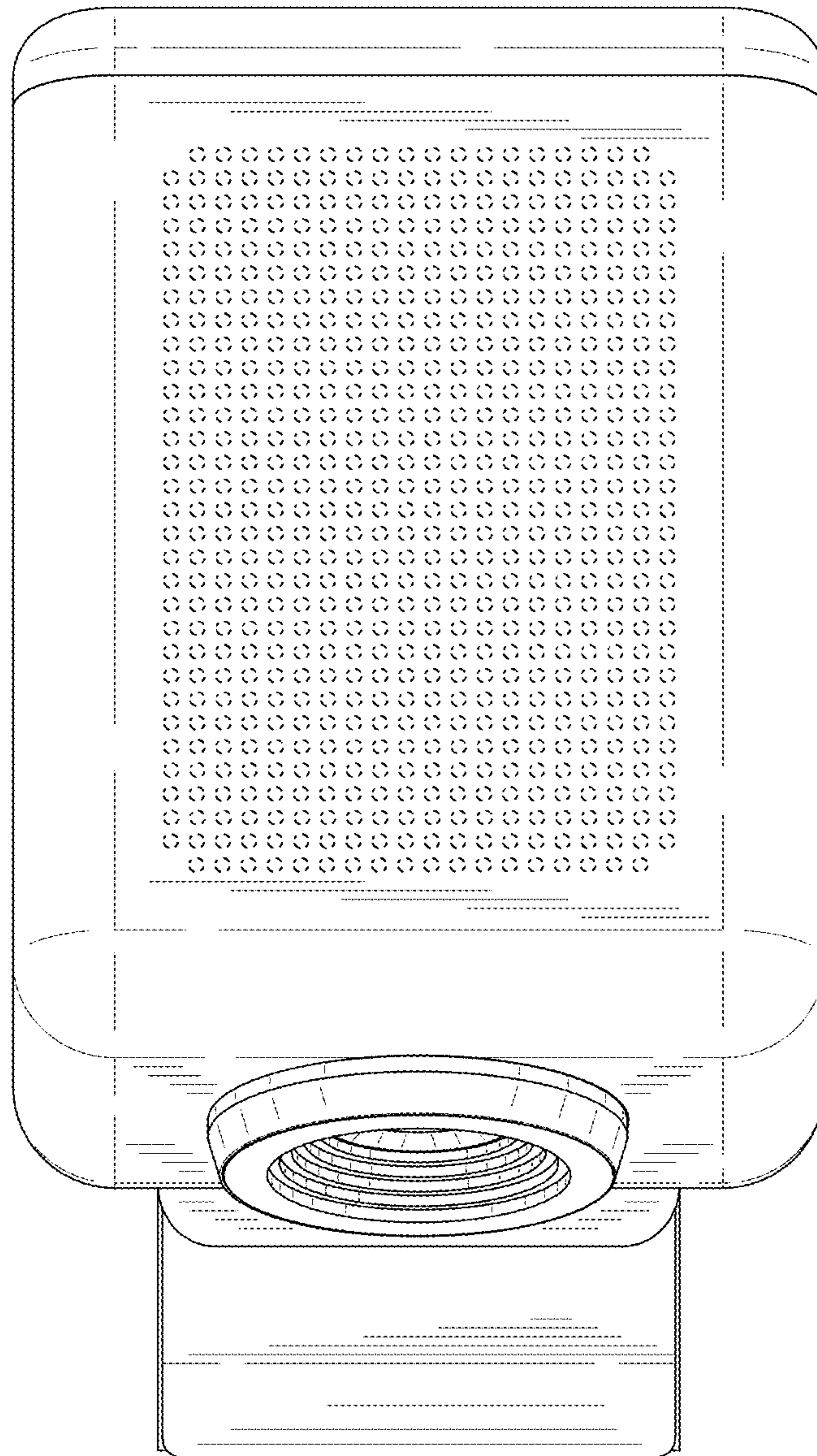


FIG. 7

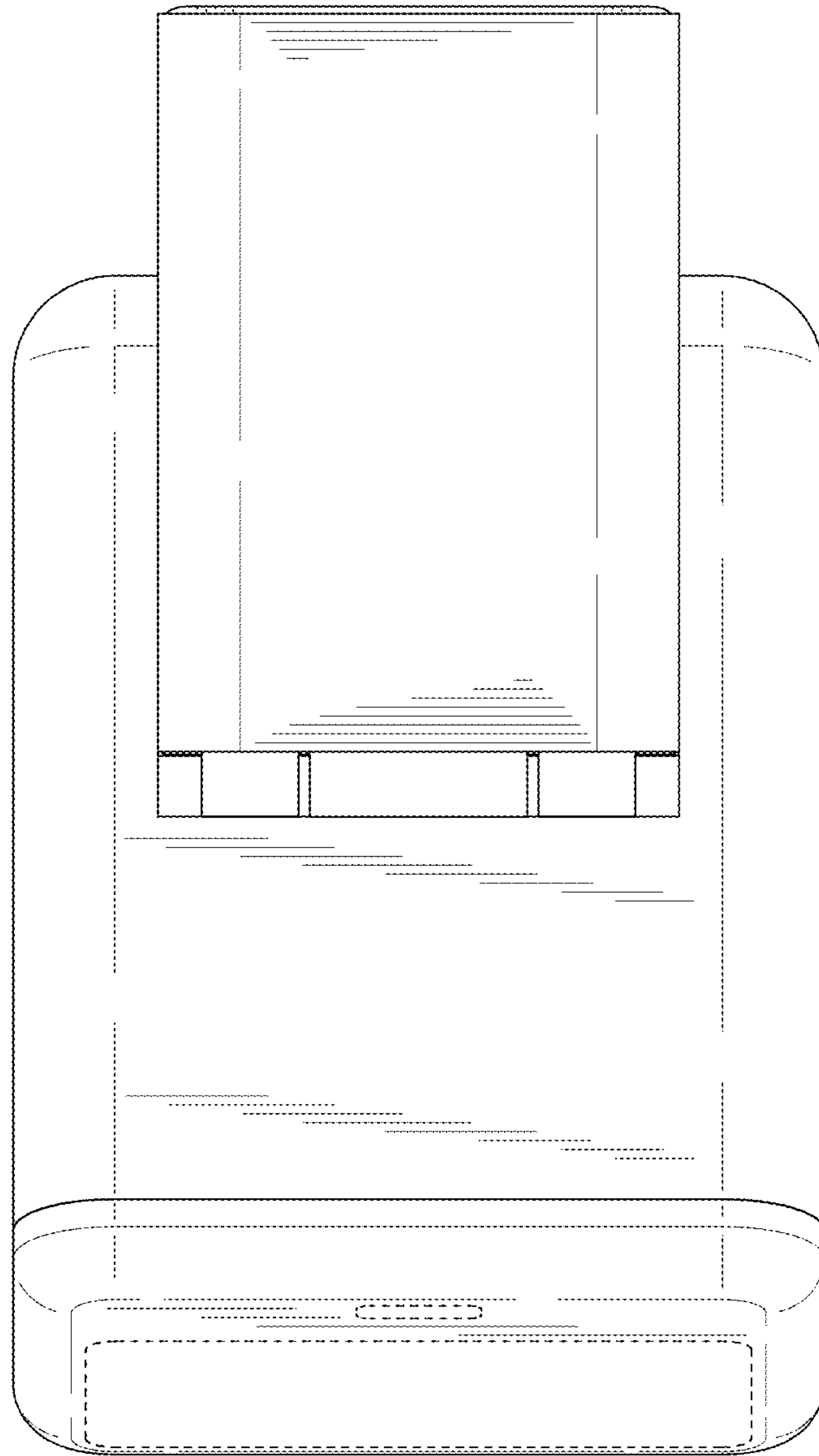


FIG. 8

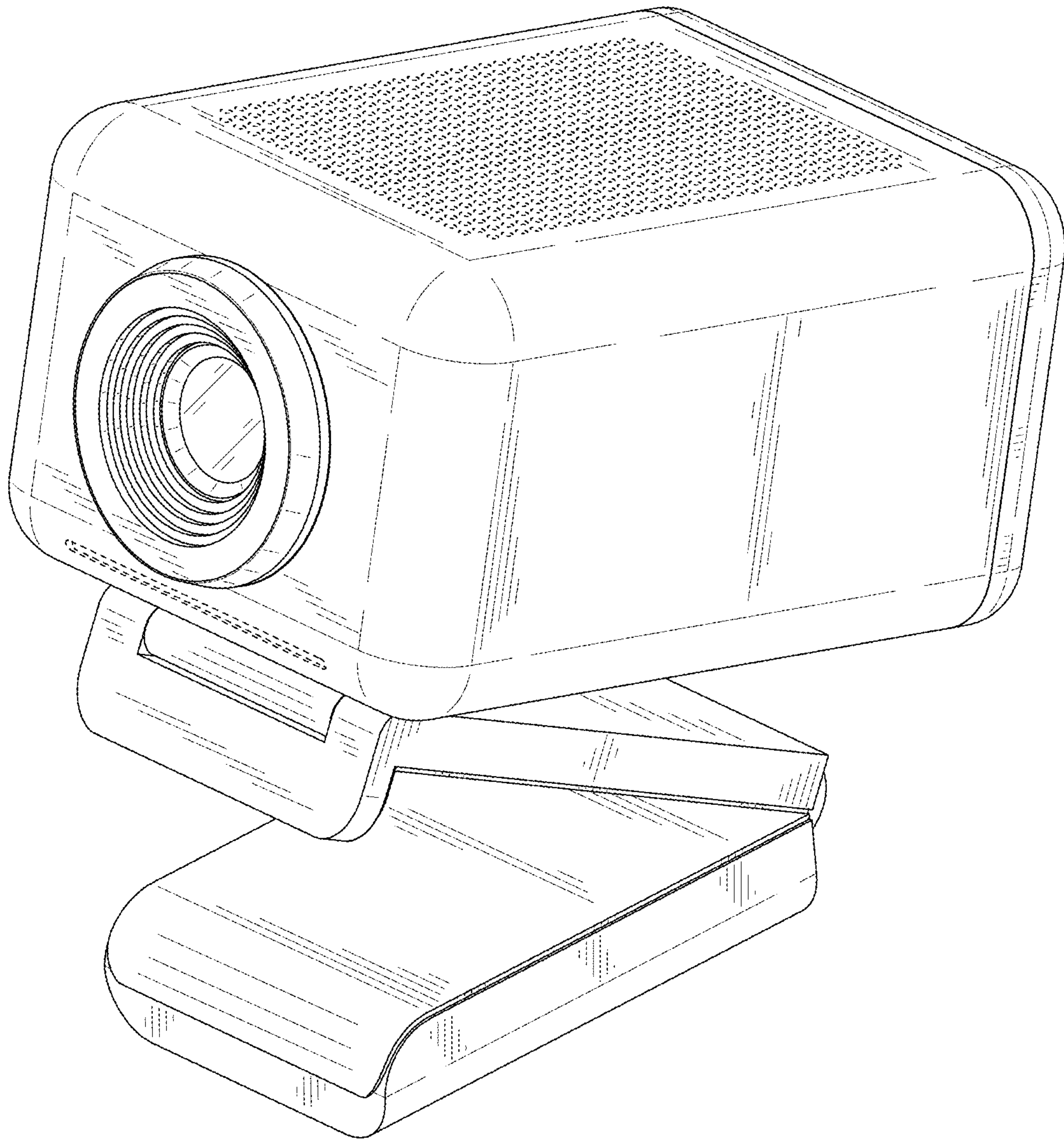


FIG. 9

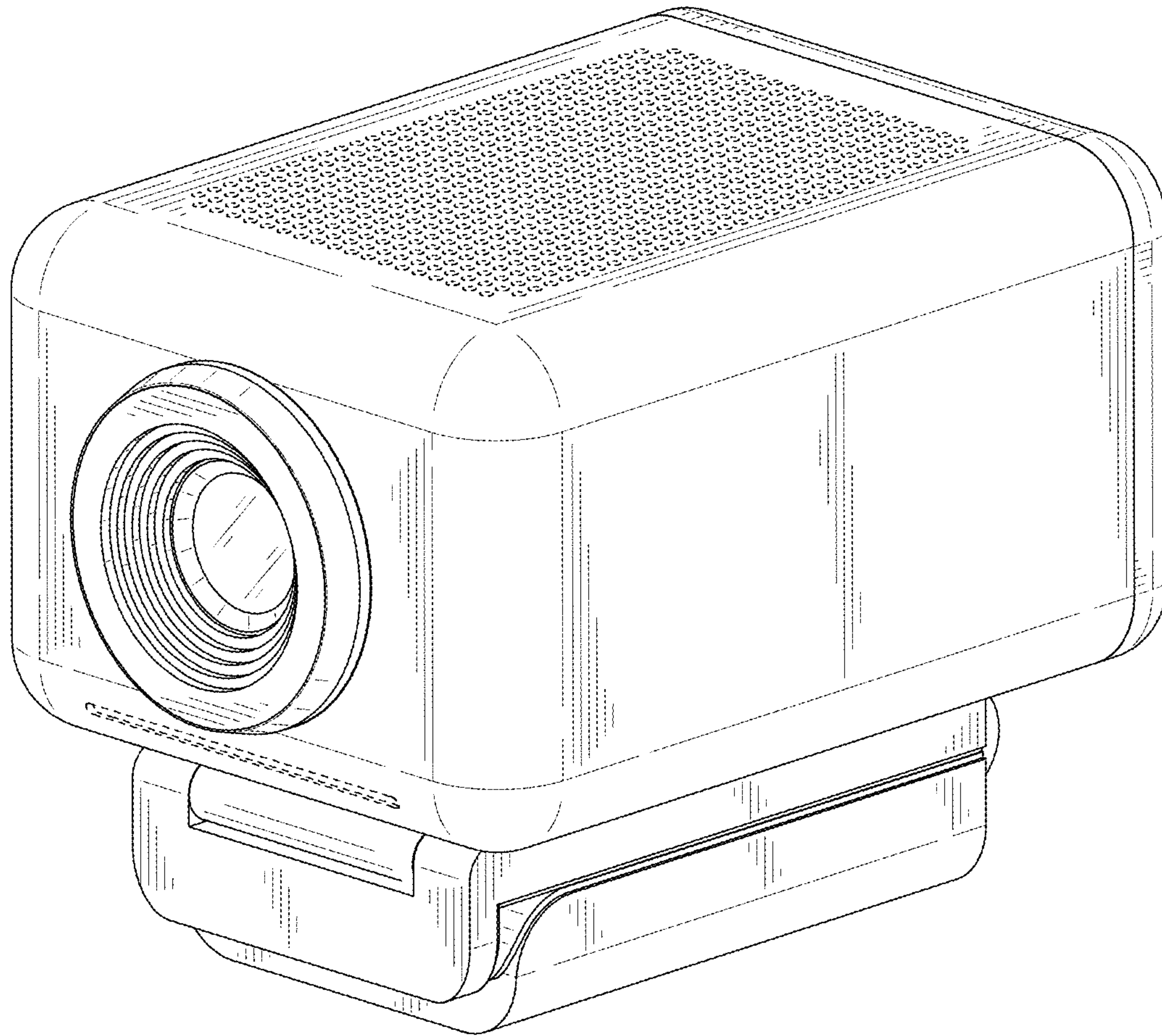


FIG. 10