



US00D944879S

(12) **United States Design Patent**  
**Takagi**

(10) **Patent No.:** **US D944,879 S**  
(45) **Date of Patent:** **\*\* Mar. 1, 2022**

(54) **ROBOT**  
(71) Applicant: **SONY CORPORATION**, Tokyo (JP)  
(72) Inventor: **Noriaki Takagi**, Kanagawa (JP)  
(73) Assignee: **SONY CORPORATION**, Tokyo (JP)  
(\*\*) Term: **15 Years**  
(21) Appl. No.: **29/725,673**  
(22) Filed: **Feb. 26, 2020**  
(30) **Foreign Application Priority Data**  
Aug. 27, 2019 (JP) ..... D2019-019004  
Aug. 27, 2019 (JP) ..... D2019-019005  
Aug. 27, 2019 (JP) ..... D2019-019006  
Aug. 27, 2019 (JP) ..... D2019-019007  
Aug. 27, 2019 (JP) ..... D2019-019008  
Aug. 27, 2019 (JP) ..... D2019-019009

(51) **LOC (13) Cl.** ..... **15-99**  
(52) **U.S. Cl.**  
USPC ..... **D15/199**  
(58) **Field of Classification Search**  
USPC ..... D15/199; D21/578-583, 621; D34/34  
CPC ..... A63H 3/48; A63H 11/20; A63H 30/04;  
A63H 2200/00; B25J 5/007; B25J 11/00;  
B25J 11/008; B62D 57/024; G06N 3/008;  
Y10S 901/01  
See application file for complete search history.

(56) **References Cited**  
U.S. PATENT DOCUMENTS  
4,717,364 A \* 1/1988 Furukawa ..... A63H 11/00  
367/198  
D431,270 S 9/2000 Kawakita et al.  
D467,630 S 12/2002 Kawakita et al.  
D511,188 S 11/2005 Takeda et al.

D635,603 S \* 4/2011 Paz Rodriguez ..... D15/199  
D639,353 S \* 6/2011 Stibolt ..... D21/578  
D710,953 S \* 8/2014 Katsutani ..... D21/578  
D761,894 S \* 7/2016 Ho ..... D15/199  
D810,167 S \* 2/2018 Yang ..... D15/199  
D813,285 S \* 3/2018 Wei ..... D15/199  
D835,169 S 12/2018 Morisawa  
D838,758 S \* 1/2019 Kymm ..... D15/199  
D843,498 S \* 3/2019 Clerc ..... D21/578  
D846,598 S \* 4/2019 Wang ..... D14/496  
D872,768 S 1/2020 Morisawa et al.  
D895,606 S \* 9/2020 Matoba ..... D14/314  
D918,979 S \* 5/2021 Mullan ..... D15/199  
D920,411 S \* 5/2021 Zheng ..... D15/199  
D922,465 S \* 6/2021 Lee ..... B25J 11/00  
D15/199  
D923,681 S \* 6/2021 Lee ..... G05D 1/024  
D15/199  
D928,213 S \* 8/2021 Park ..... D15/199  
D930,058 S \* 9/2021 Mahe ..... D15/199

(Continued)

**FOREIGN PATENT DOCUMENTS**

EM 002926881-001 S 1/2016

*Primary Examiner* — Patricia A Palasik  
(74) *Attorney, Agent, or Firm* — Michael Best and Friedrich LLP

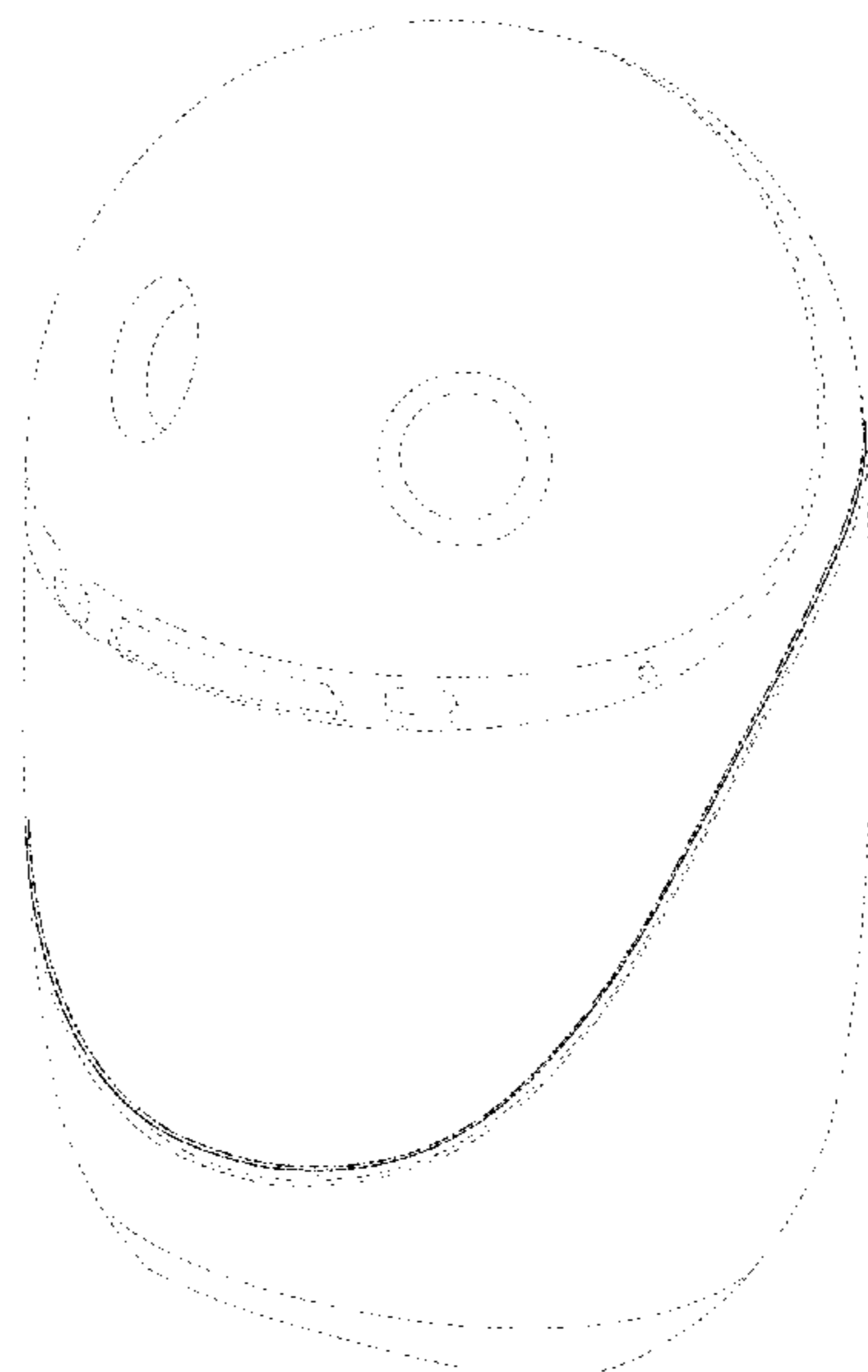
(57) **CLAIM**

The ornamental design for a robot, as shown.

**DESCRIPTION**

FIG. 1 is a perspective view of a first embodiment of a robot showing my new design;  
FIG. 2 is a front elevational view thereof;  
FIG. 3 is a rear elevational view thereof;  
FIG. 4 is a left side elevational view thereof, a right side elevational view being a mirror image;  
FIG. 5 is a top plan view thereof; and,  
FIG. 6 is a bottom plan view thereof.

**1 Claim, 5 Drawing Sheets**



(56)

**References Cited**

U.S. PATENT DOCUMENTS

D930,726 S \* 9/2021 Vaswani ..... D15/199  
D931,921 S \* 9/2021 Haddadin ..... D15/199  
2009/0169347 A1\* 7/2009 Teng ..... B25J 19/005  
414/401  
2012/0209433 A1\* 8/2012 Paz Rodriguez .... B25J 11/0005  
700/259  
2019/0103849 A1\* 4/2019 Shaya ..... H04R 1/406

\* cited by examiner

FIG. 1

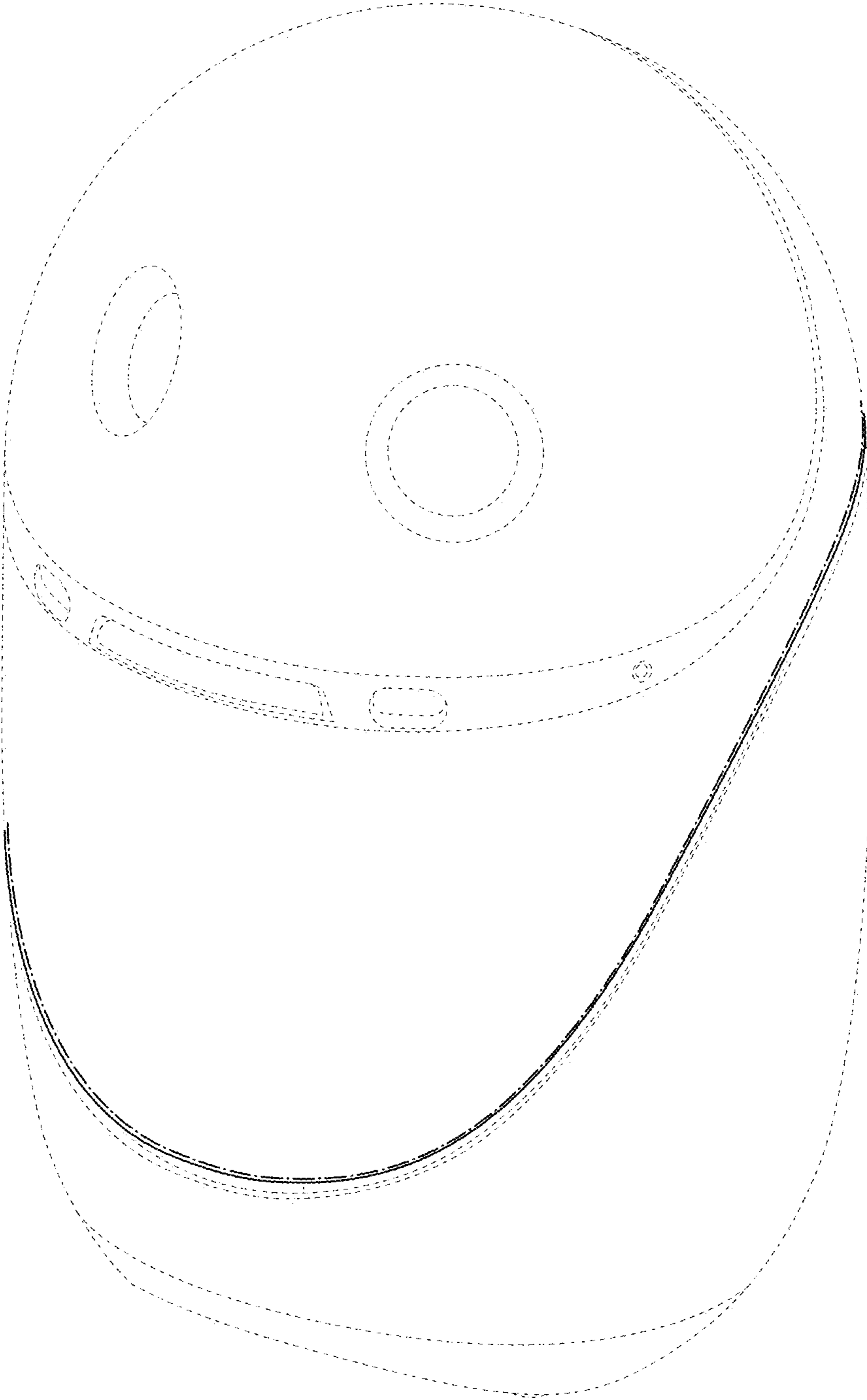


FIG.2

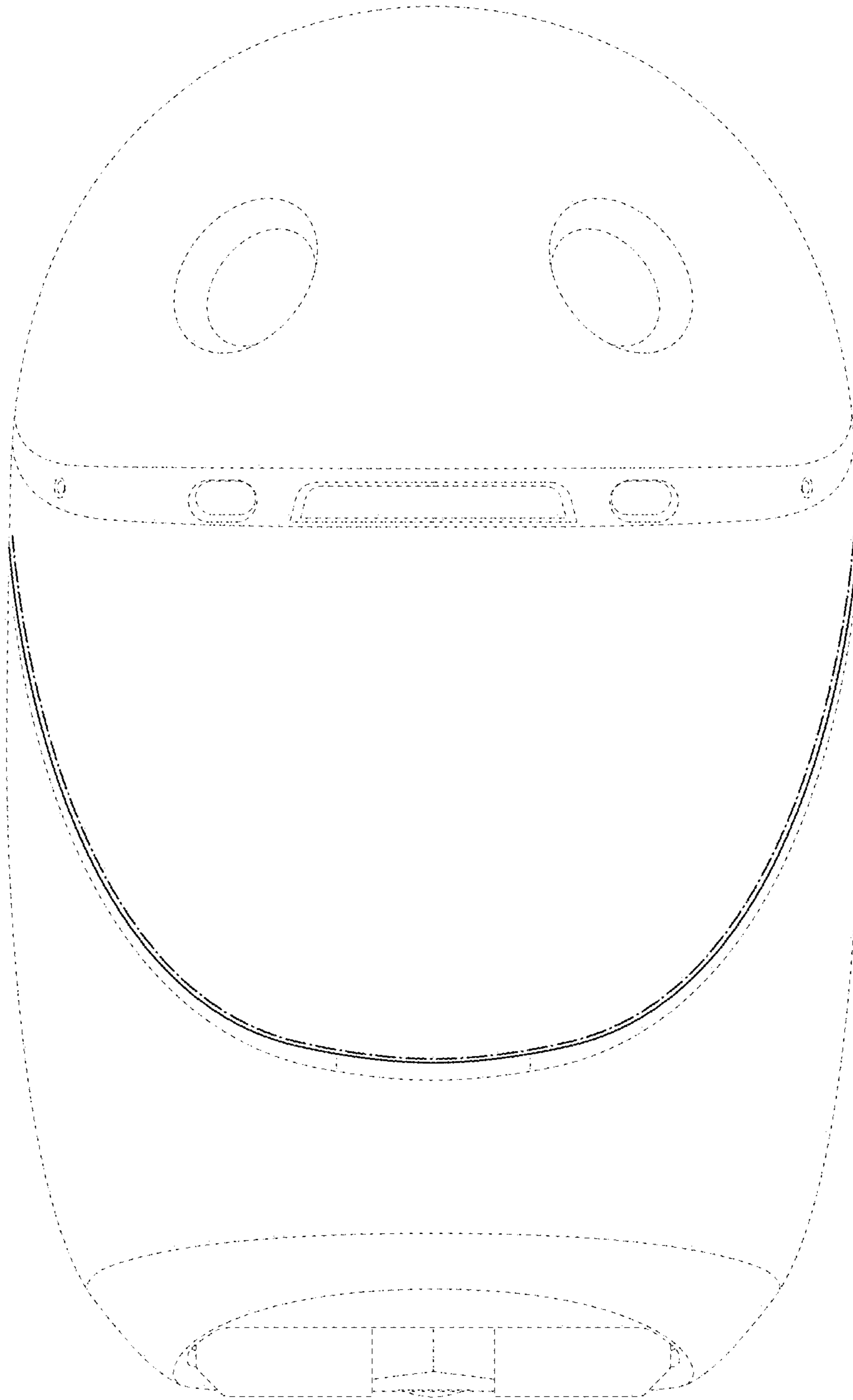


FIG.3

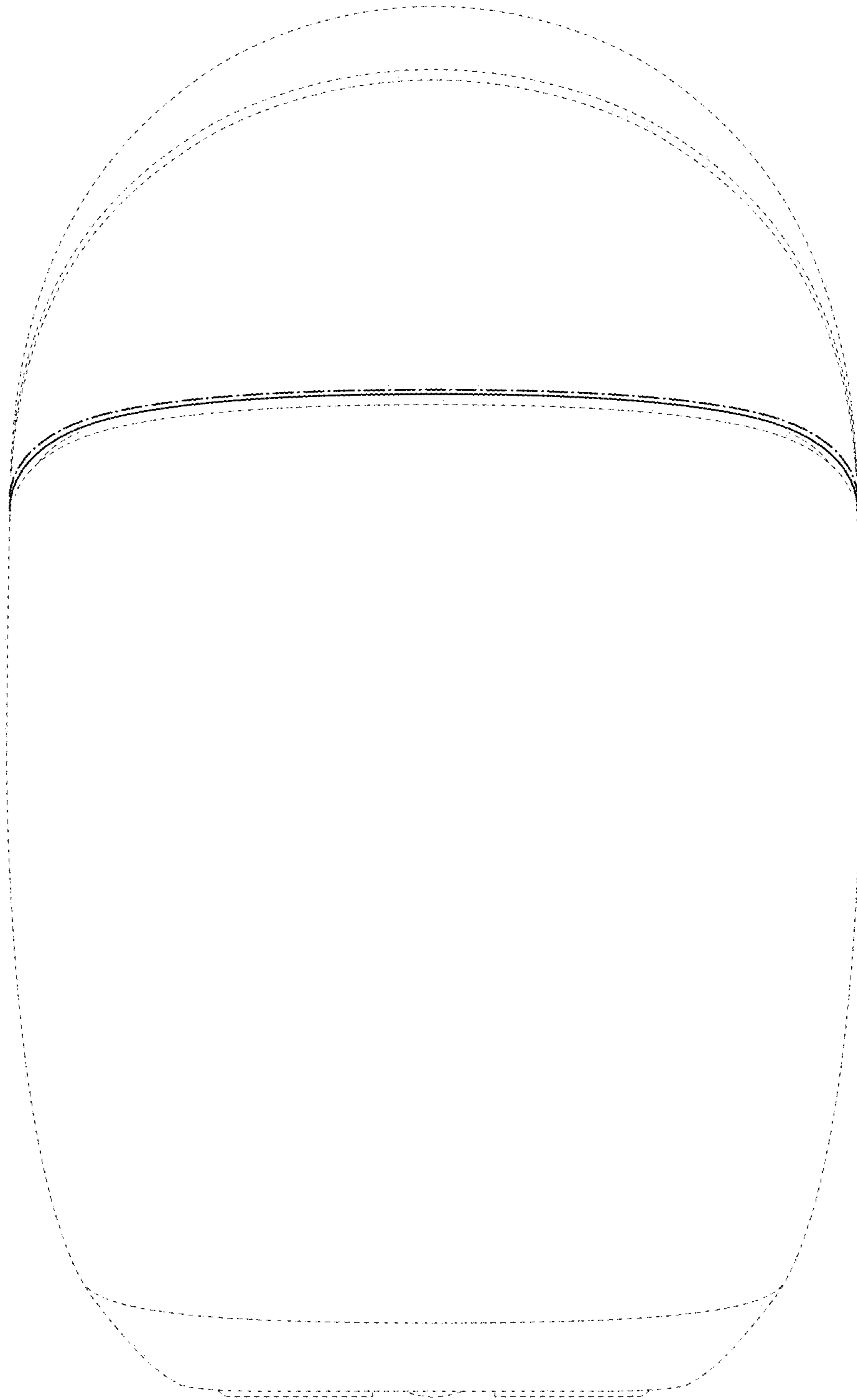


FIG.4

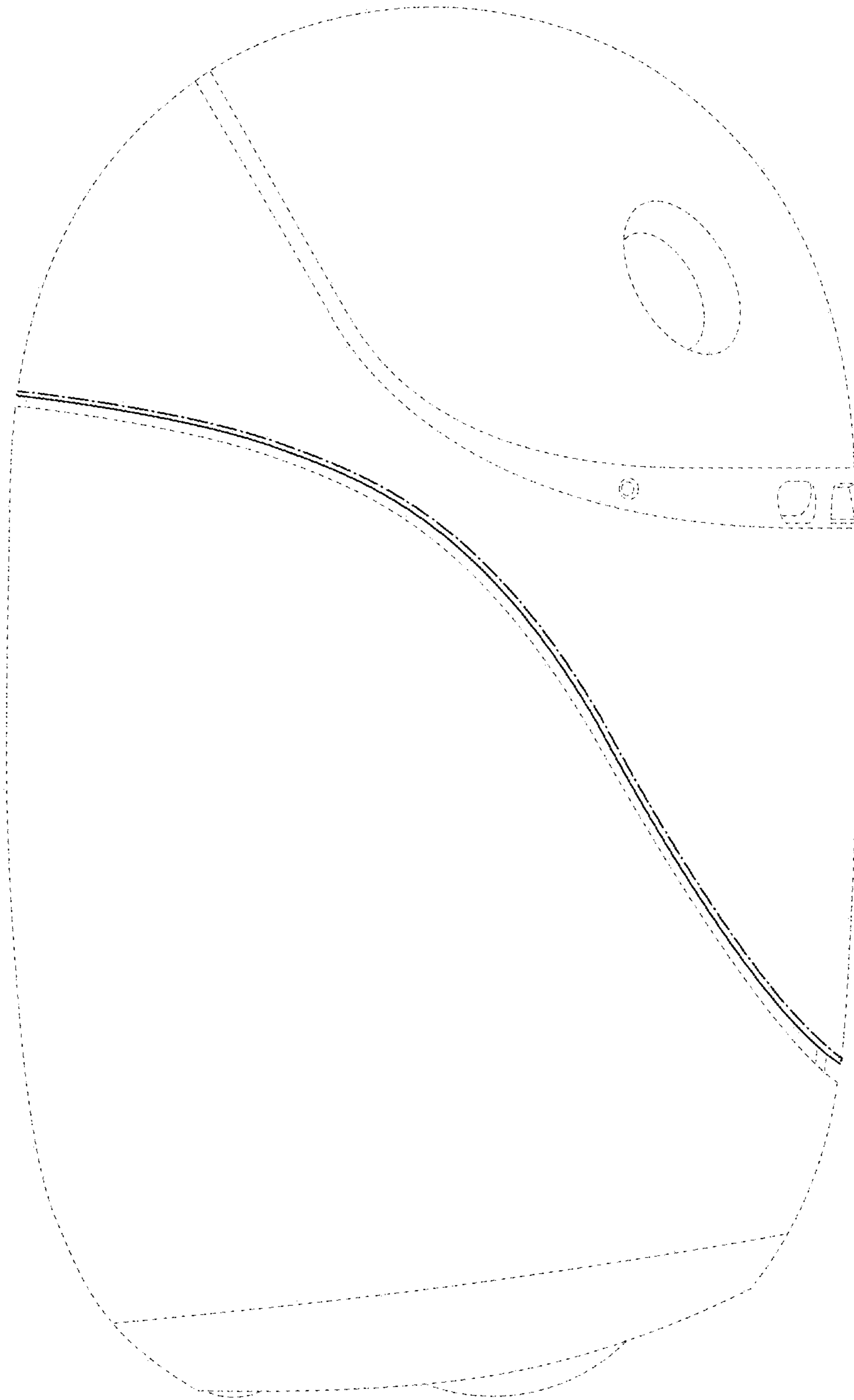


FIG.5

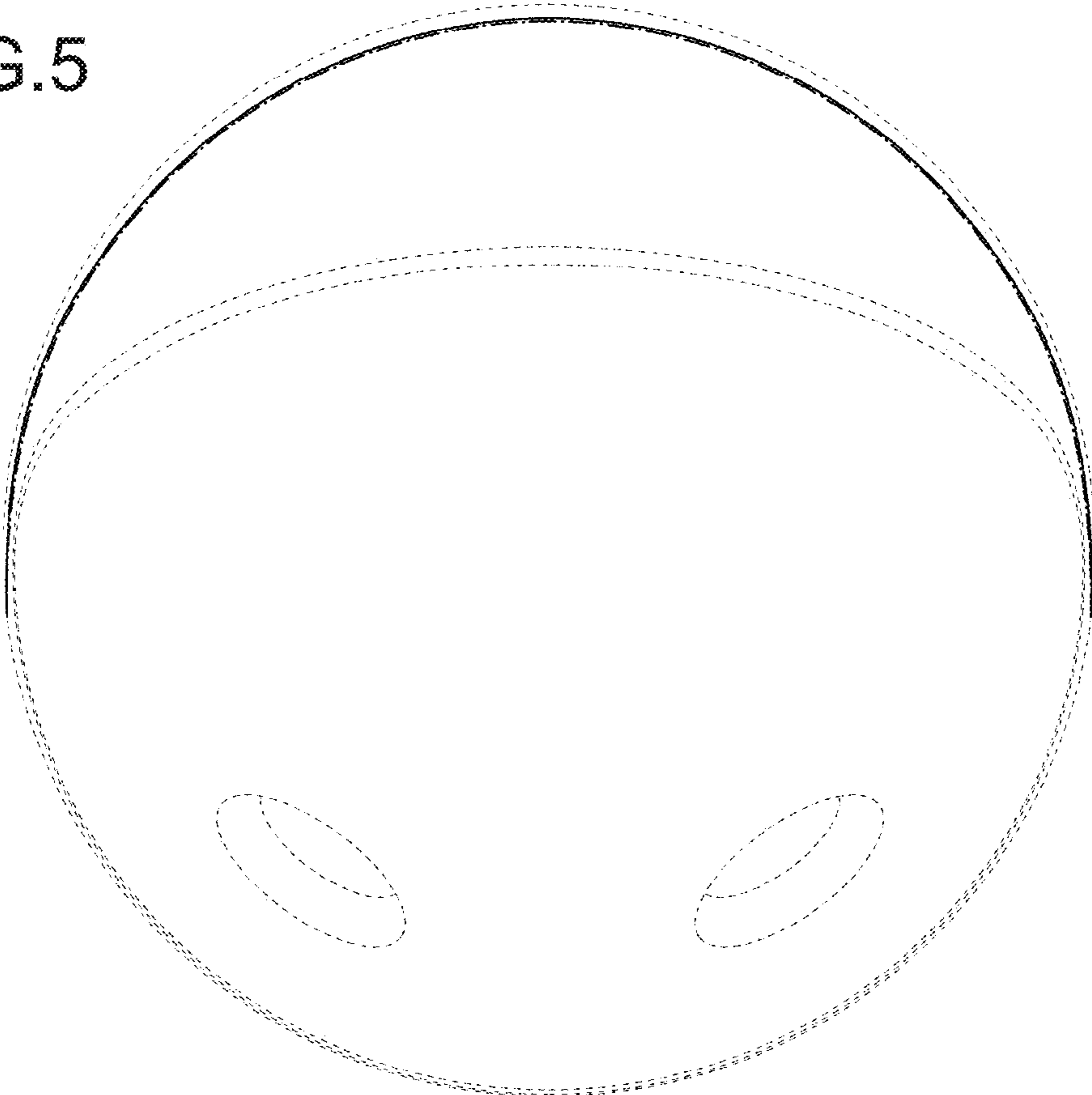


FIG.6

