



US00D944877S

(12) **United States Design Patent**
Schulnig

(10) **Patent No.:** **US D944,877 S**

(45) **Date of Patent:** **** Mar. 1, 2022**

(54) **FILLING MACHINE FOR BOTTLES**

(71) Applicant: **Tyrolon-Schulnig GmbH**, Hochfilzen (AT)

(72) Inventor: **Elmar Ludwig Schulnig**, Fieberbrunn (AT)

(73) Assignee: **Tyrolon-Schulnig GmbH**, Hochfilzen (AT)

(**) Term: **15 Years**

(21) Appl. No.: **29/616,728**

(22) Filed: **Sep. 8, 2017**

(30) **Foreign Application Priority Data**

Mar. 9, 2017 (EM) 003791409

(51) **LOC (13) Cl.** **15-99**

(52) **U.S. Cl.**
USPC **D15/145; D7/589**

(58) **Field of Classification Search**
USPC D7/213, 300, 316, 321, 392.1, 396.2,
D7/397, 500, 507, 509-512; D15/122,
D15/145, 199; D21/578, 579; D23/200,
D23/499
CPC B67C 3/12; B67C 3/2628
See application file for complete search history.

(56) **References Cited**

U.S. PATENT DOCUMENTS

RE44,567 E * 11/2013 Yoshino D15/199
D692,934 S * 11/2013 Arai D15/122

D813,918 S * 3/2018 Page D15/122
D816,138 S * 4/2018 Schulnig D15/199
D821,133 S * 6/2018 DiCarlo D7/312
D864,263 S * 10/2019 Hou D15/122
10,800,614 B2 * 10/2020 Schulnig B65G 47/847
2014/0232126 A1 * 8/2014 Schulnig B65G 47/90
294/203
2019/0291971 A1 * 9/2019 Schulnig B65G 47/847

FOREIGN PATENT DOCUMENTS

EP 2159172 A1 * 3/2010 B65G 29/00

* cited by examiner

Primary Examiner — Michael C Stout

Assistant Examiner — Fritzgerald L Butac

(74) *Attorney, Agent, or Firm* — Cesari and McKenna, LLP

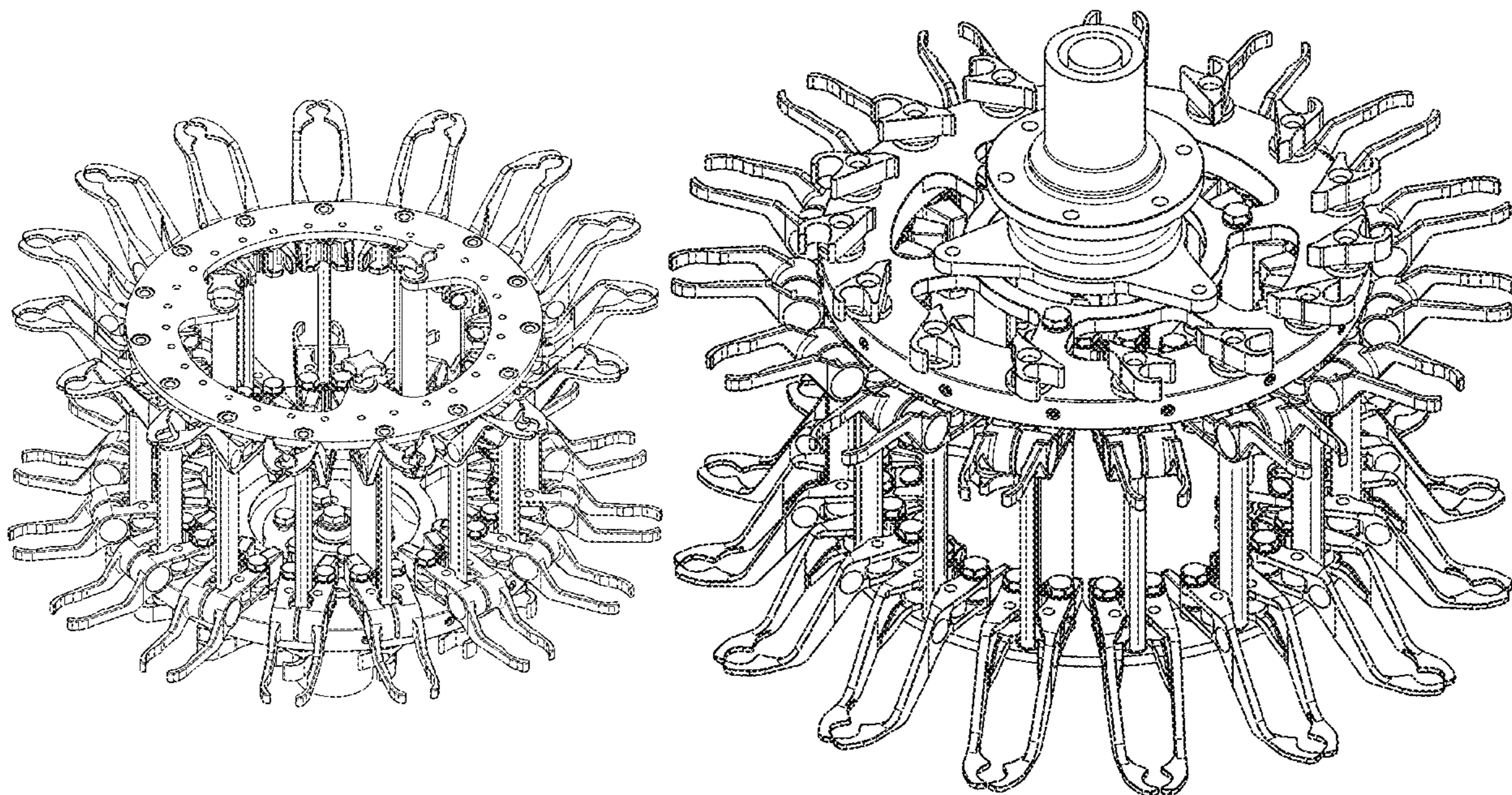
(57) **CLAIM**

The ornamental design for filling machine for bottles, substantially as shown.

DESCRIPTION

FIG. 1 is a top view of filling machine for bottles, incorporating the design;
FIG. 2 is a top perspective view thereof;
FIG. 3 is a back view thereof;
FIG. 4 is a left side view thereof;
FIG. 5 is a right side view thereof;
FIG. 6 is a bottom view thereof;
FIG. 7 is a bottom perspective view thereof; and,
FIG. 8 is a front view thereof.

1 Claim, 8 Drawing Sheets



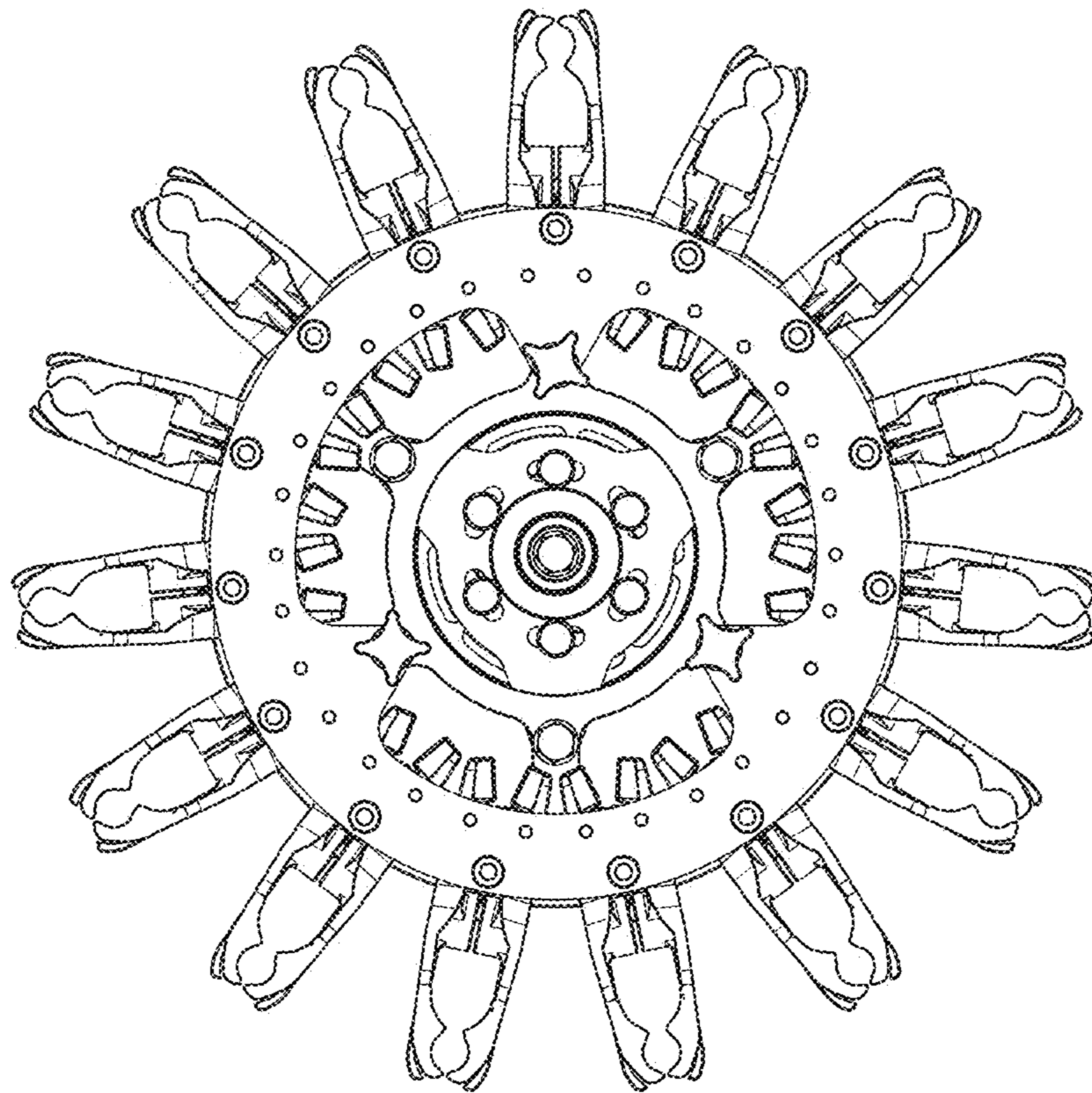


FIG. 1

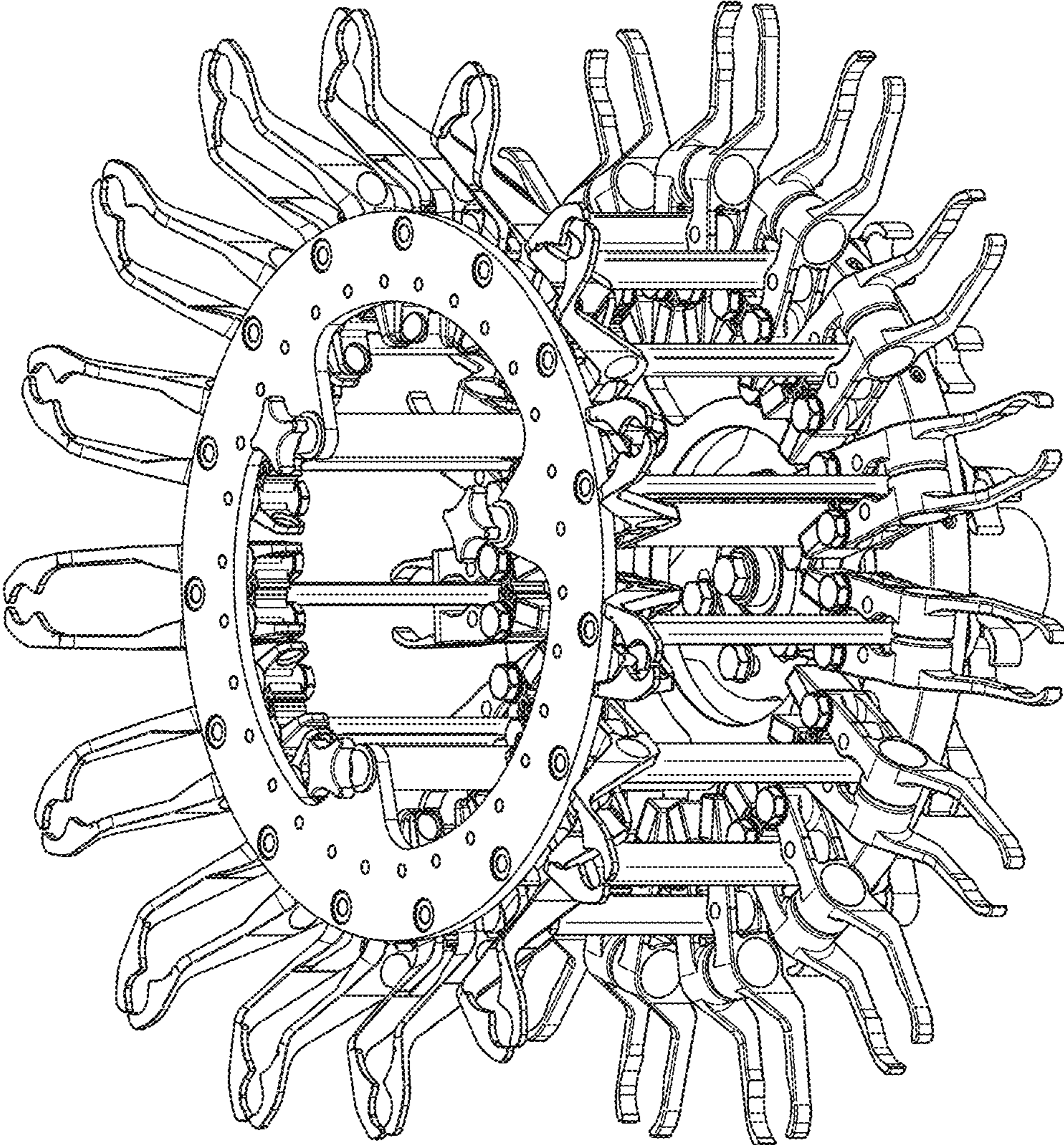


FIG. 2

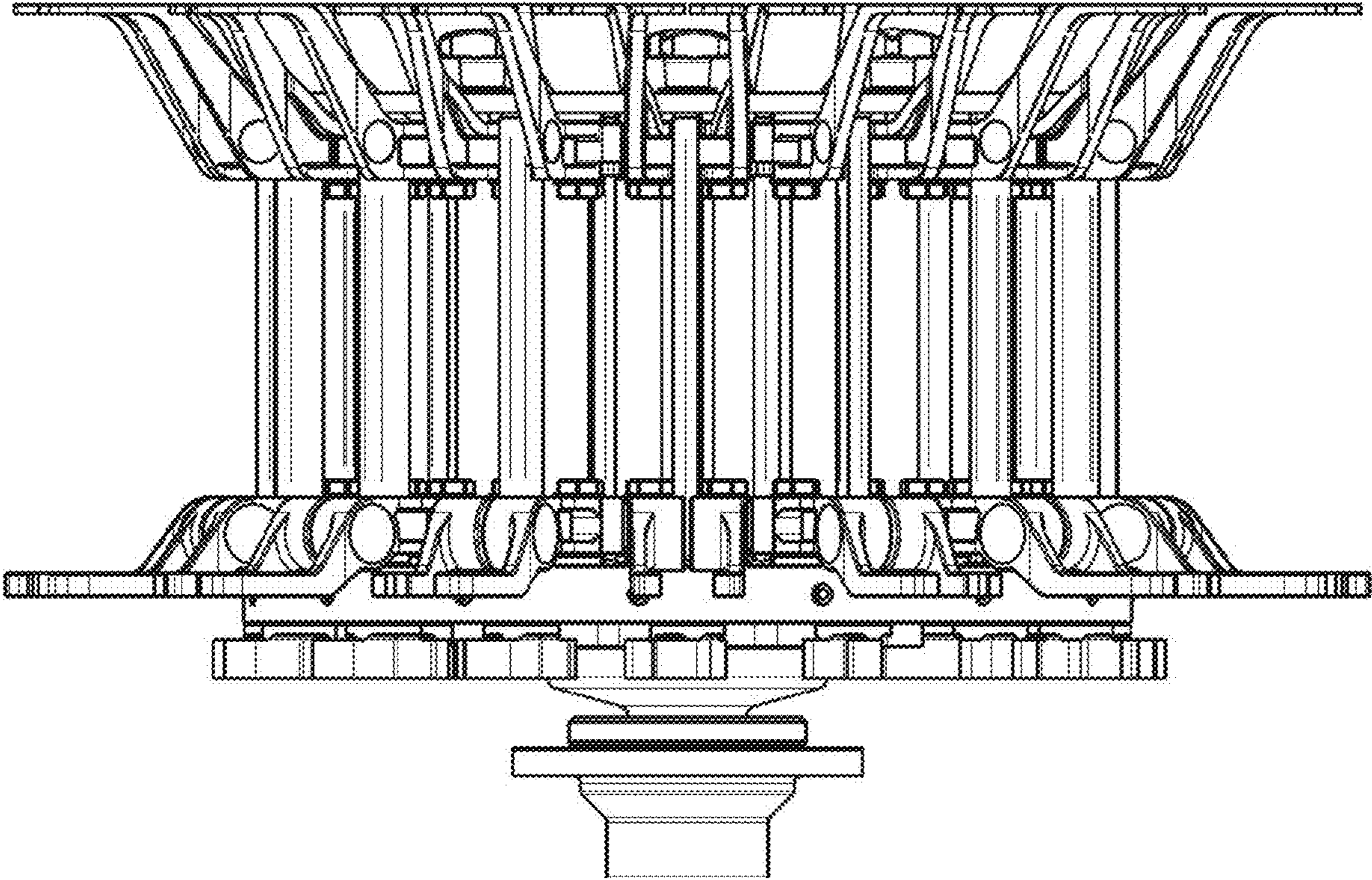


FIG. 3

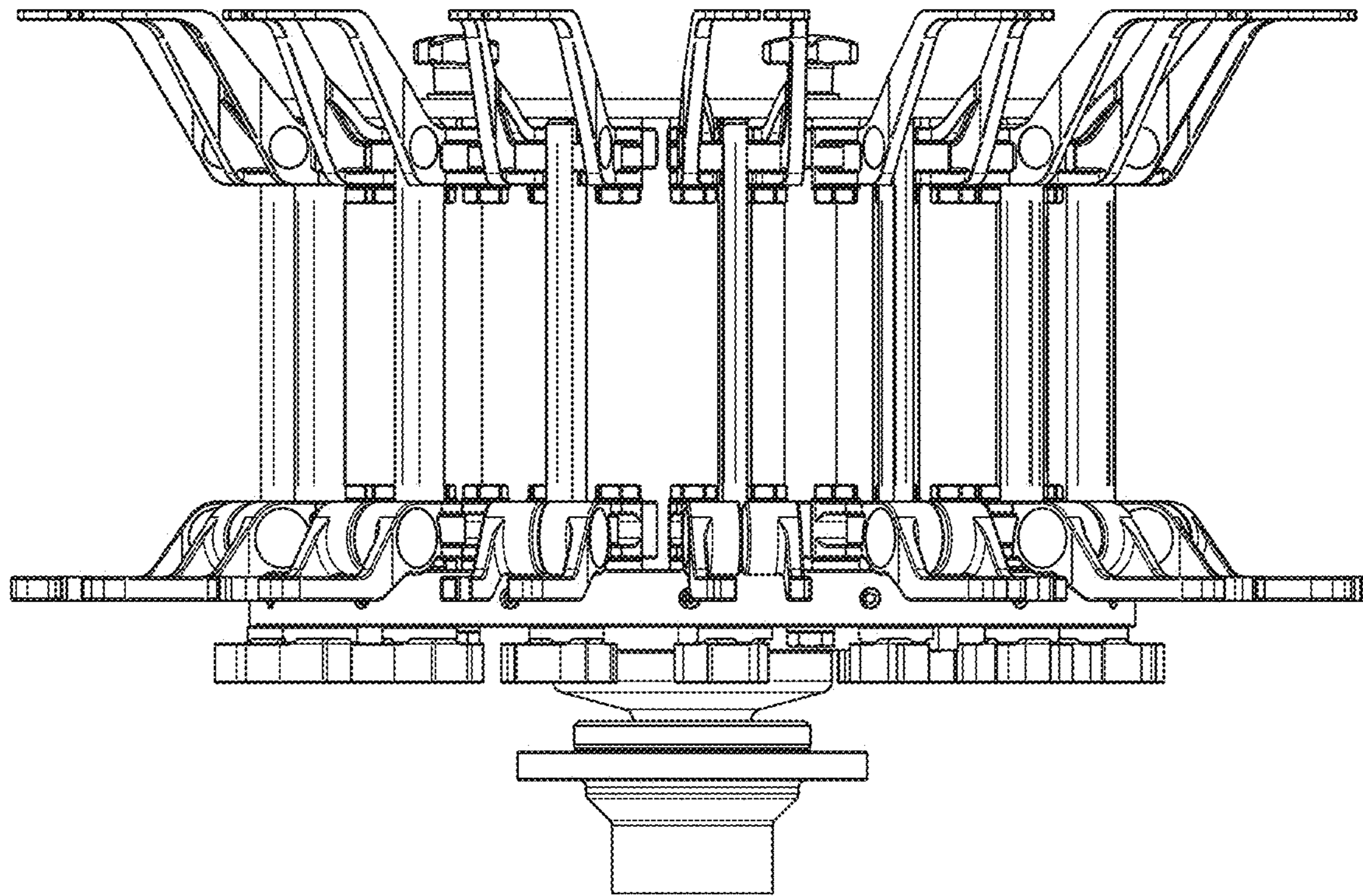


FIG. 4

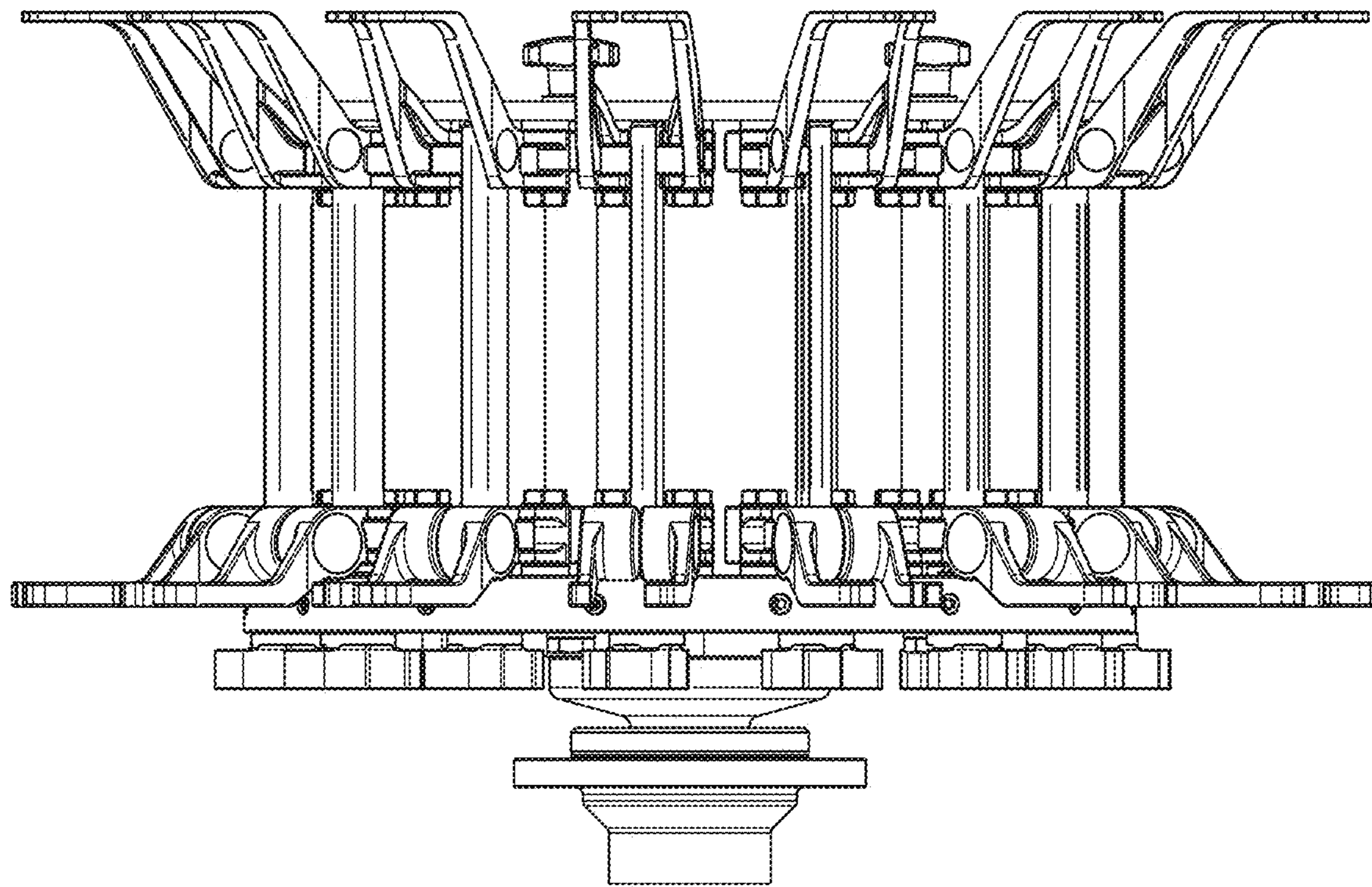


FIG. 5

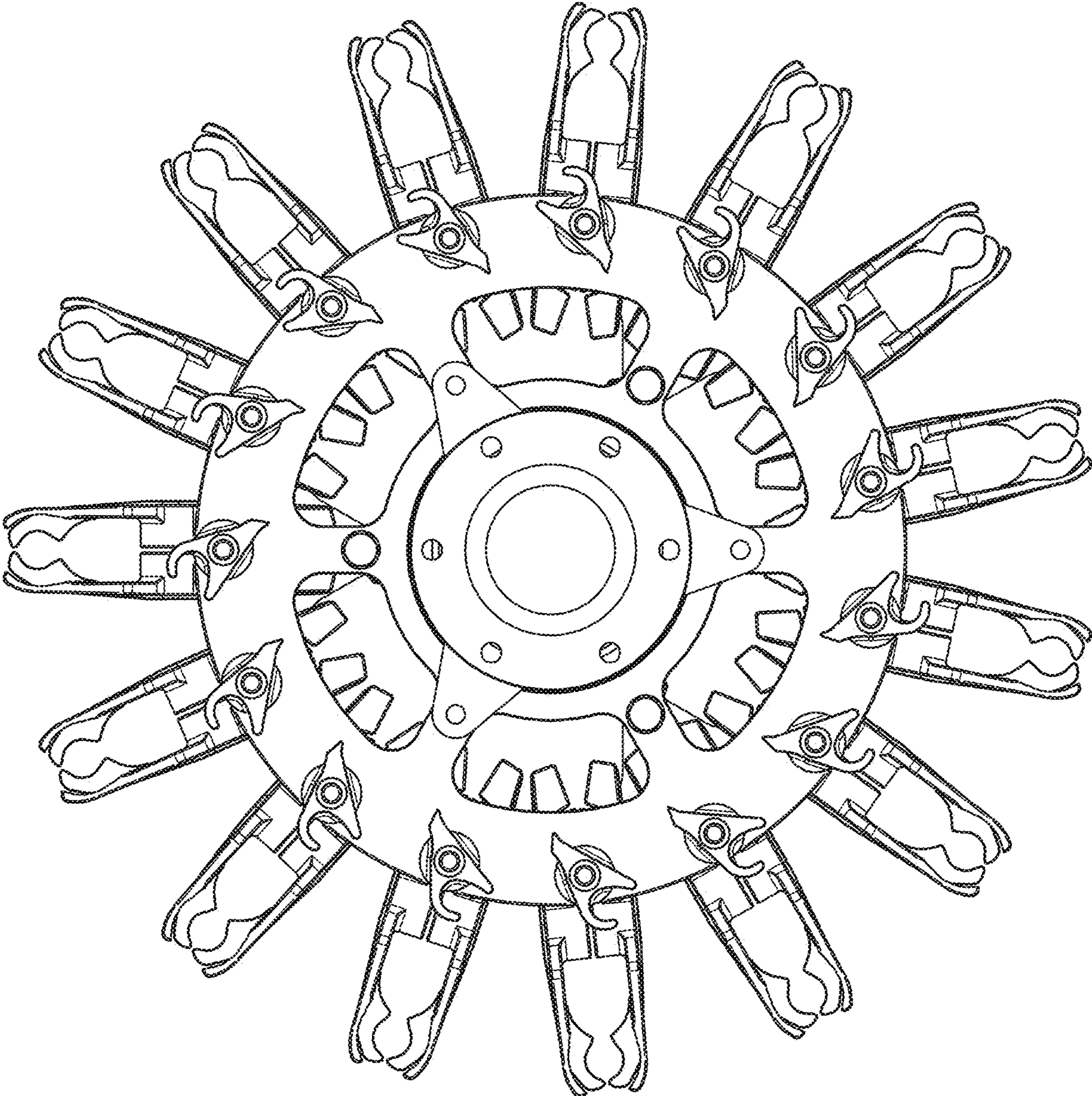


FIG. 6

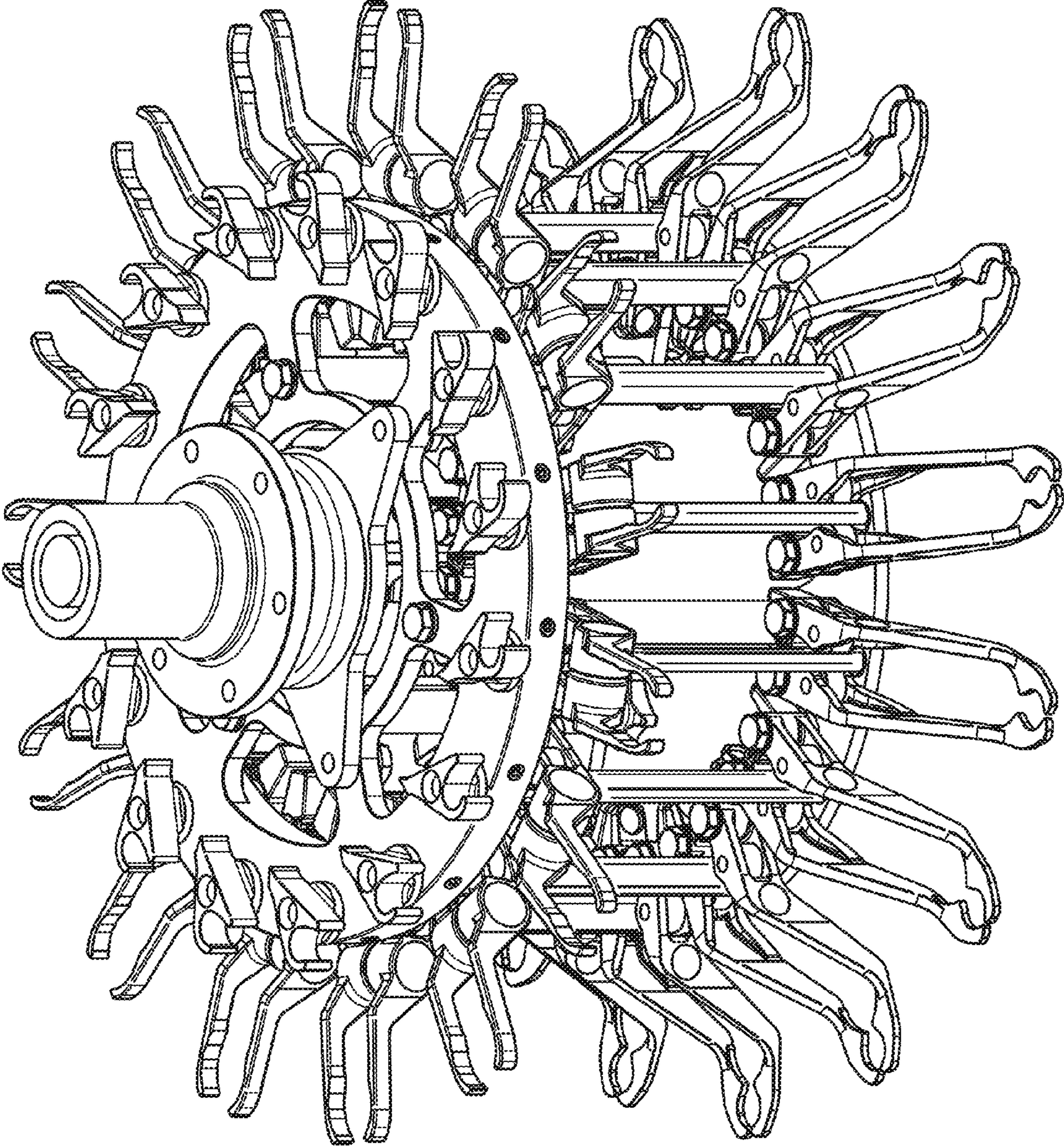


FIG. 7

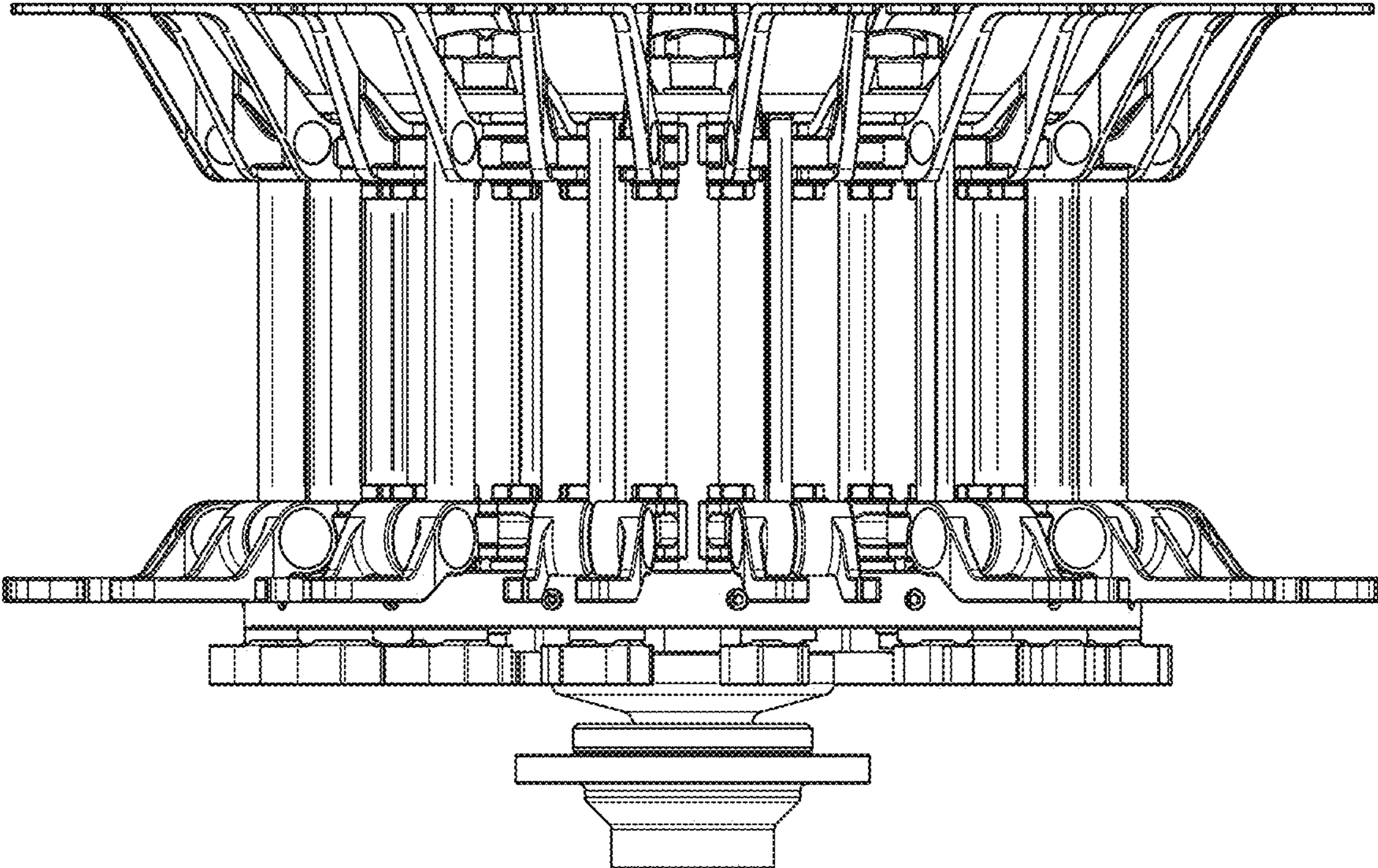


FIG. 8