

US00D944875S

(12) **United States Design Patent**
Monahan et al.

(10) **Patent No.:** **US D944,875 S**
(45) **Date of Patent:** **** Mar. 1, 2022**

(54) **EXTRACTABLE CYLINDRICAL SEALING
ELEMENT WITH LANTERN RING**

(71) Applicants: **Thomas B. Monahan**, Springfield, MA
(US); **Michael F. Huard**, Middlefield,
MA (US)

(72) Inventors: **Thomas B. Monahan**, Springfield, MA
(US); **Michael F. Huard**, Middlefield,
MA (US)

(73) Assignee: **Seal-Ryt Corp.**, Westfield, MA (US)

(**) Term: **15 Years**

(21) Appl. No.: **29/726,782**

(22) Filed: **Mar. 5, 2020**

(51) **LOC (13) Cl.** **15-09**

(52) **U.S. Cl.**
USPC **D15/143**

(58) **Field of Classification Search**
USPC D15/126, 138-139, 143; D11/3, 4, 29,
D11/39; D23/259-260, 262, 264-266,
D23/269; D8/14, 72, 382, 385, 387,
D8/394-397
CPC F04D 29/10; F04D 29/043; F04D 29/049;
F04D 29/053; F04D 29/059; E21B 17/06;
E21B 17/046; E21B 17/042; E21B
17/043; E21B 17/117; E21B 43/116; F16J
15/18; F16J 15/183

See application file for complete search history.

(56) **References Cited**

U.S. PATENT DOCUMENTS

D214,338 S *	6/1969	Stone	D15/143
D297,942 S *	10/1988	Somarakis	D15/143
D329,589 S *	9/1992	Parduhn	D8/396
D341,145 S *	11/1993	Esworthy	D15/143
D364,918 S *	12/1995	Hutchens	D23/262
D408,718 S *	4/1999	Birdsall	D8/354
D679,301 S *	4/2013	Wilkinson	D15/143

D733,064 S *	6/2015	Smith	D13/149
D766,404 S *	9/2016	Yamashita	D23/249
D772,964 S *	11/2016	Ban	D15/143
D775,710 S *	1/2017	Kim	D22/137

(Continued)

OTHER PUBLICATIONS

SealRYT, PackRYT shaft sealing system, (site visited Sep. 14,
2021), Sealryt.com website, URL:<<https://www.sealryt.com/shaft-sealing>> (Year: 2021).*

(Continued)

Primary Examiner — Calvin E Vansant

Assistant Examiner — Mark T. Philipps

(74) *Attorney, Agent, or Firm* — Michael I. Wolfson

(57) **CLAIM**

The ornamental design for an extractable cylindrical sealing
element with lantern ring, as shown and described.

DESCRIPTION

FIG. 1 is a top front perspective view of an extractable
cylindrical sealing element with lantern ring for a stuffing
box showing my new design; and a top rear perspective view
being identical;

FIG. 2 is bottom front perspective view thereof; and a
bottom rear perspective view being identical;

FIG. 3 top plan view thereof;

FIG. 4 is a bottom plan view showing jack screw inserts in
place;

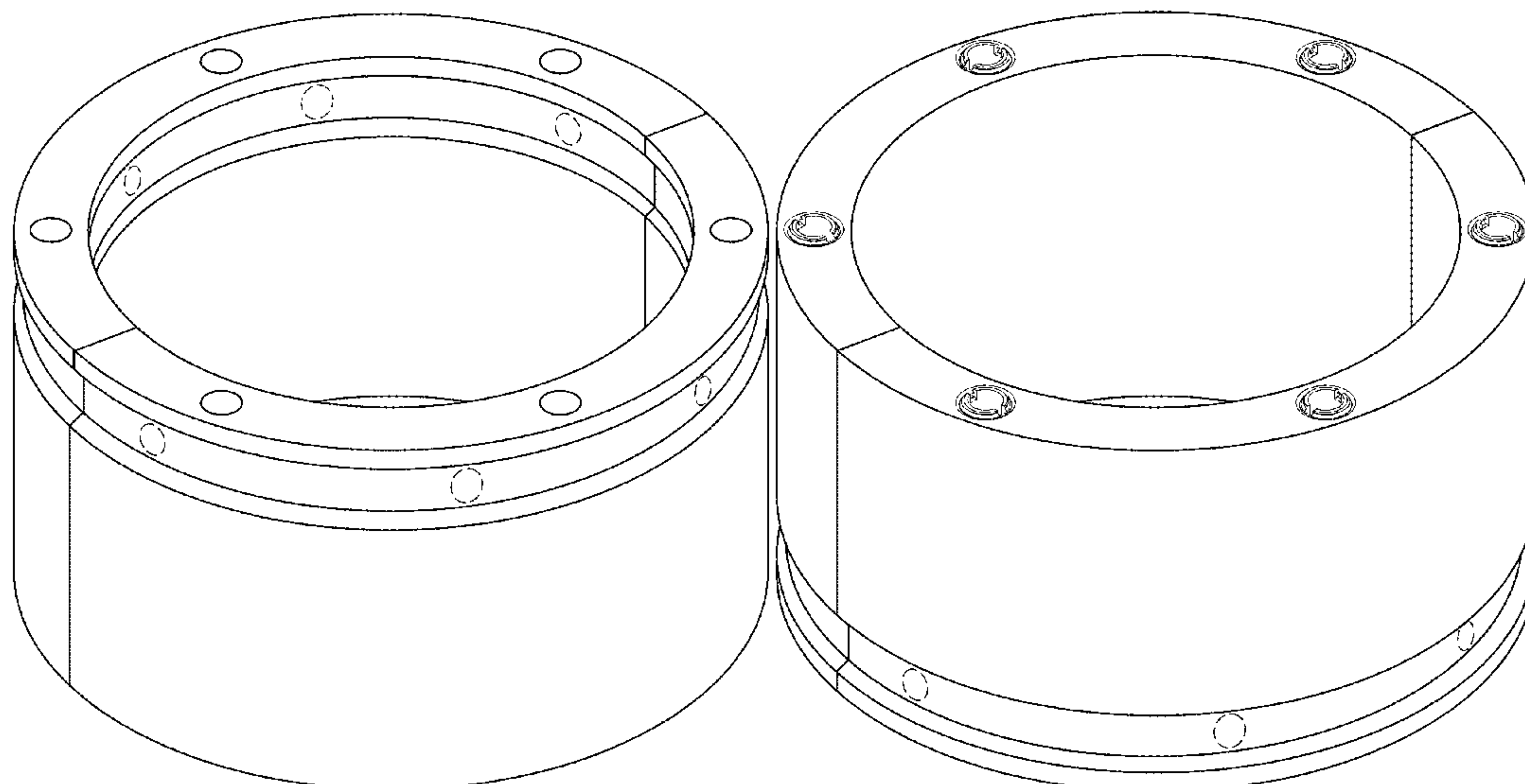
FIG. 5 is a front elevational view thereof;

FIG. 6 is a right-side elevational view thereof, the left-side
view being identical; and,

FIG. 7 is a top front perspective view of the extractable
cylindrical sealing element with lantern ring with jack
screws installed for extraction.

The broken lines depict environmental subject matter only
and form no part of the claim.

1 Claim, 6 Drawing Sheets



(56)

References Cited

U.S. PATENT DOCUMENTS

D789,186 S * 6/2017 Sakai D8/374
 D818,508 S * 5/2018 Ban D15/143
 D824,967 S * 8/2018 Getto D15/143
 D861,756 S * 10/2019 Pop D15/143
 D892,882 S * 8/2020 Okamoto D15/199
 D917,673 S * 4/2021 Wilkinson D23/259
 D917,674 S * 4/2021 Wilkinson D23/259
 D917,675 S * 4/2021 Wilkinson D23/259
 2003/0026718 A1* 2/2003 Dziver F04D 29/047
 417/423.9
 2003/0091251 A1* 5/2003 Ni F16C 35/02
 384/295
 2006/0006592 A1* 1/2006 Kato F16F 13/1445
 267/140.12
 2008/0112658 A1* 5/2008 Justin F16C 17/02
 384/107
 2009/0045589 A1* 2/2009 Patton F16J 15/183
 277/516

2010/0166347 A1* 7/2010 Wendling F16C 33/1075
 384/114
 2012/0076575 A1* 3/2012 Smith F16D 1/0847
 403/289
 2014/0115822 A1* 5/2014 Shishido H02G 3/083
 16/2.1
 2014/0325791 A1* 11/2014 Colverson F16J 15/3404
 16/2.2
 2017/0130729 A1* 5/2017 Getto F04D 29/049
 2017/0146065 A1* 5/2017 Danowski F16C 17/10
 2020/0103034 A1* 4/2020 Wilkinson F16J 15/183
 2021/0277956 A1* 9/2021 Monahan B66F 3/08

OTHER PUBLICATIONS

Climax Metal Products Company, Keyless Locking Device Catalog, (Copyright 2012), Climaxmetal.com website, URL:<<https://www.climaxmetal.com/pdf/climax-keyless-locking-device-catalog.pdf>> (Year: 2012).*

* cited by examiner

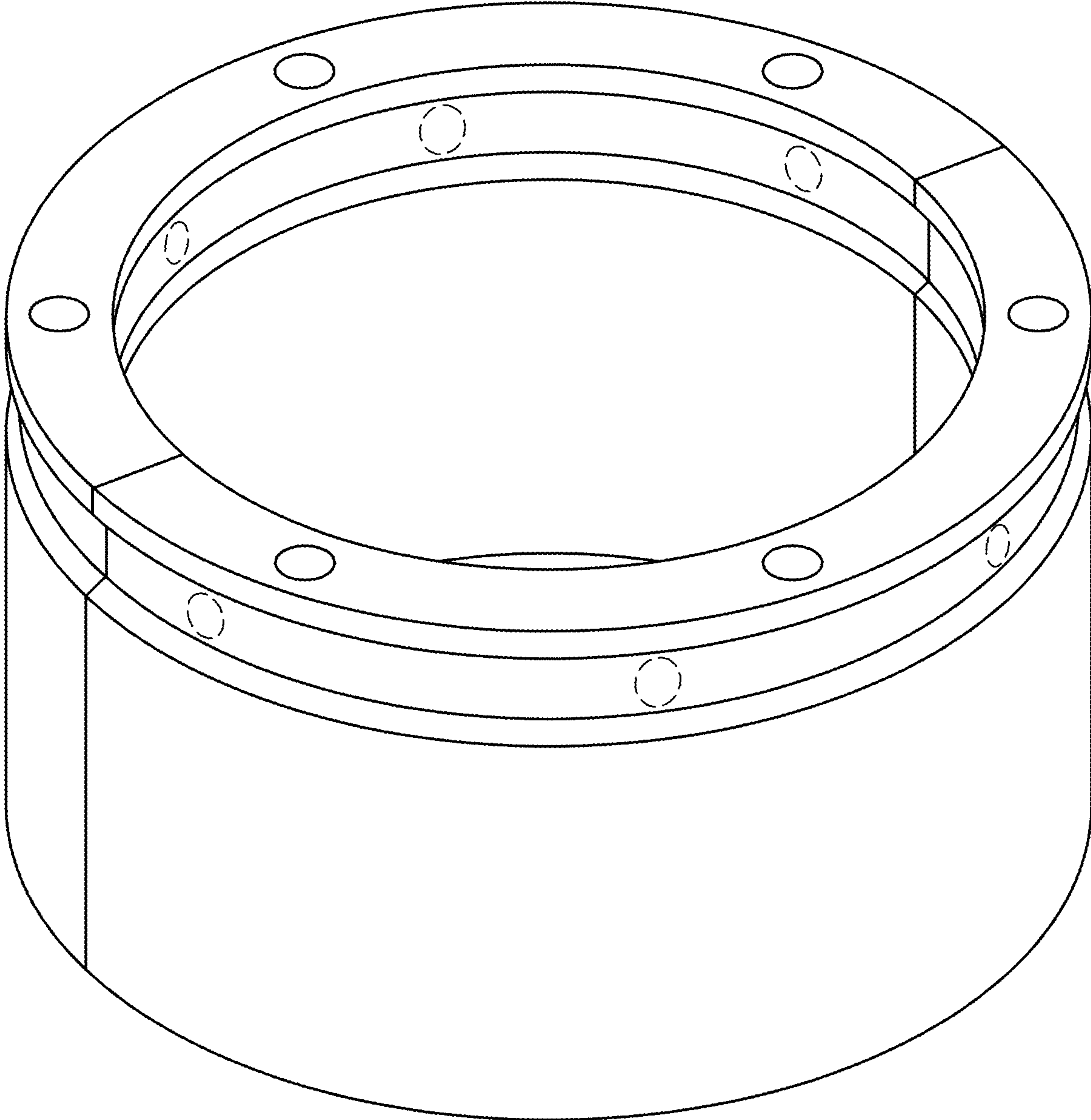


FIG. 1

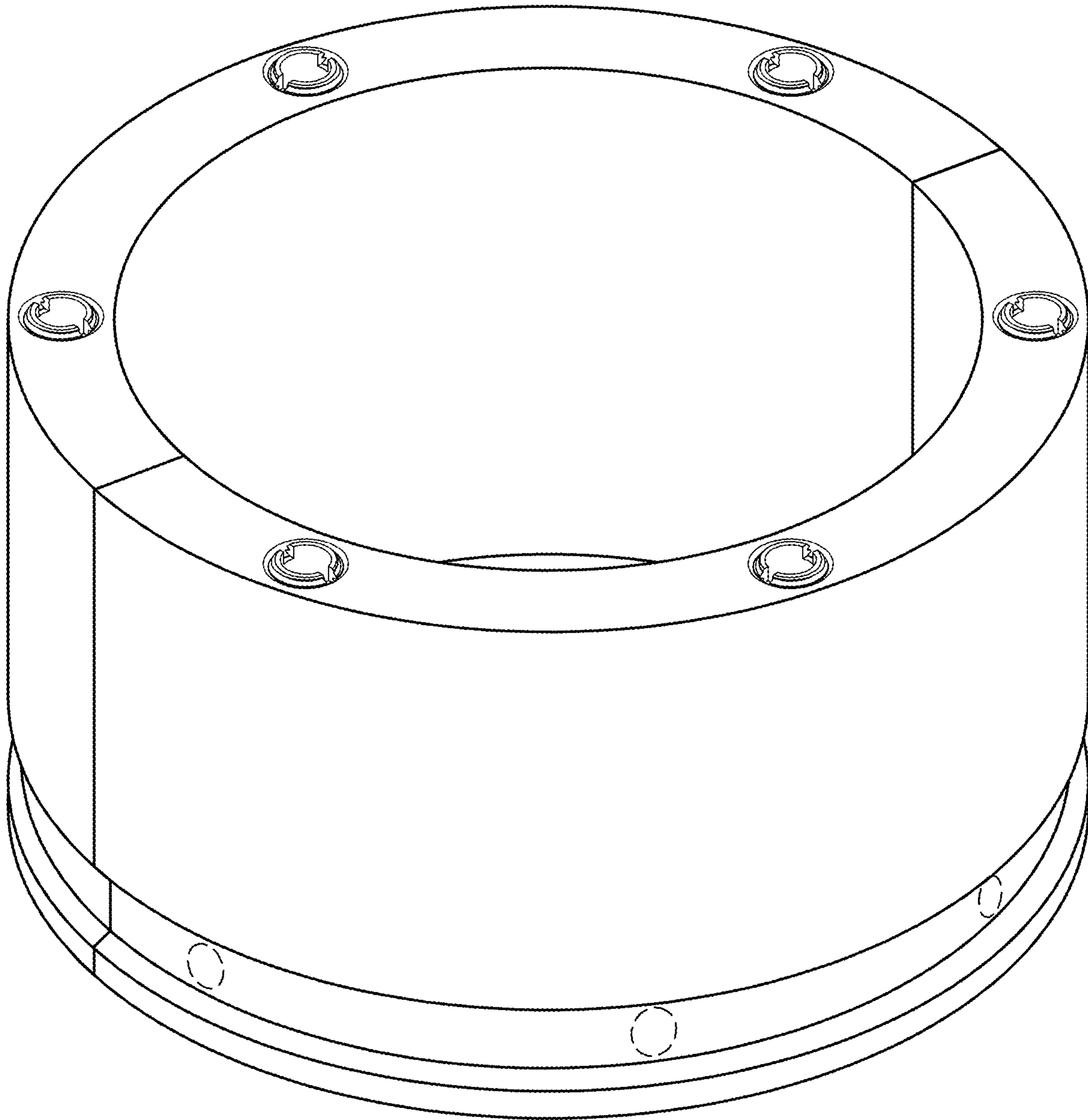


FIG.2

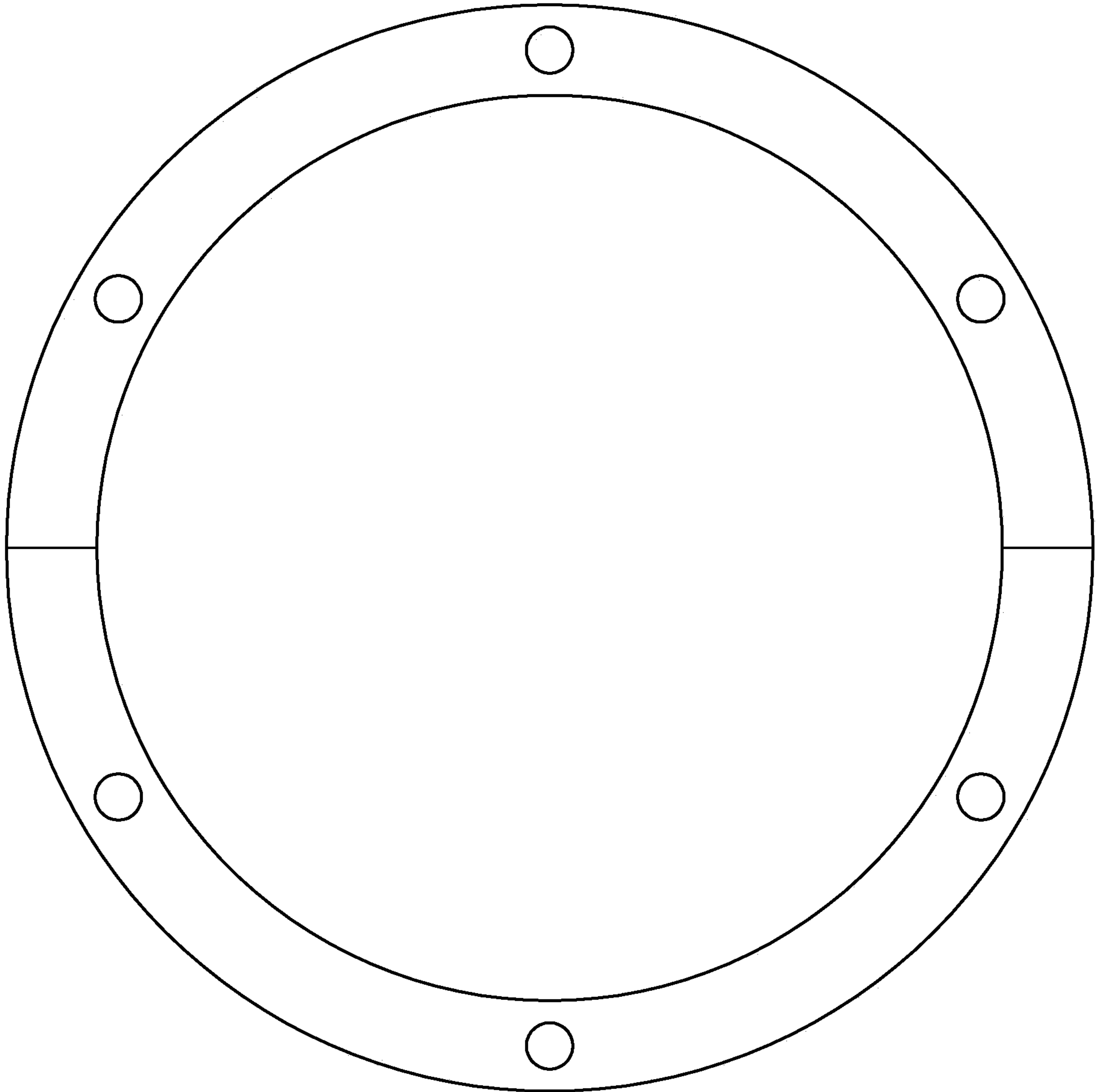


FIG.3

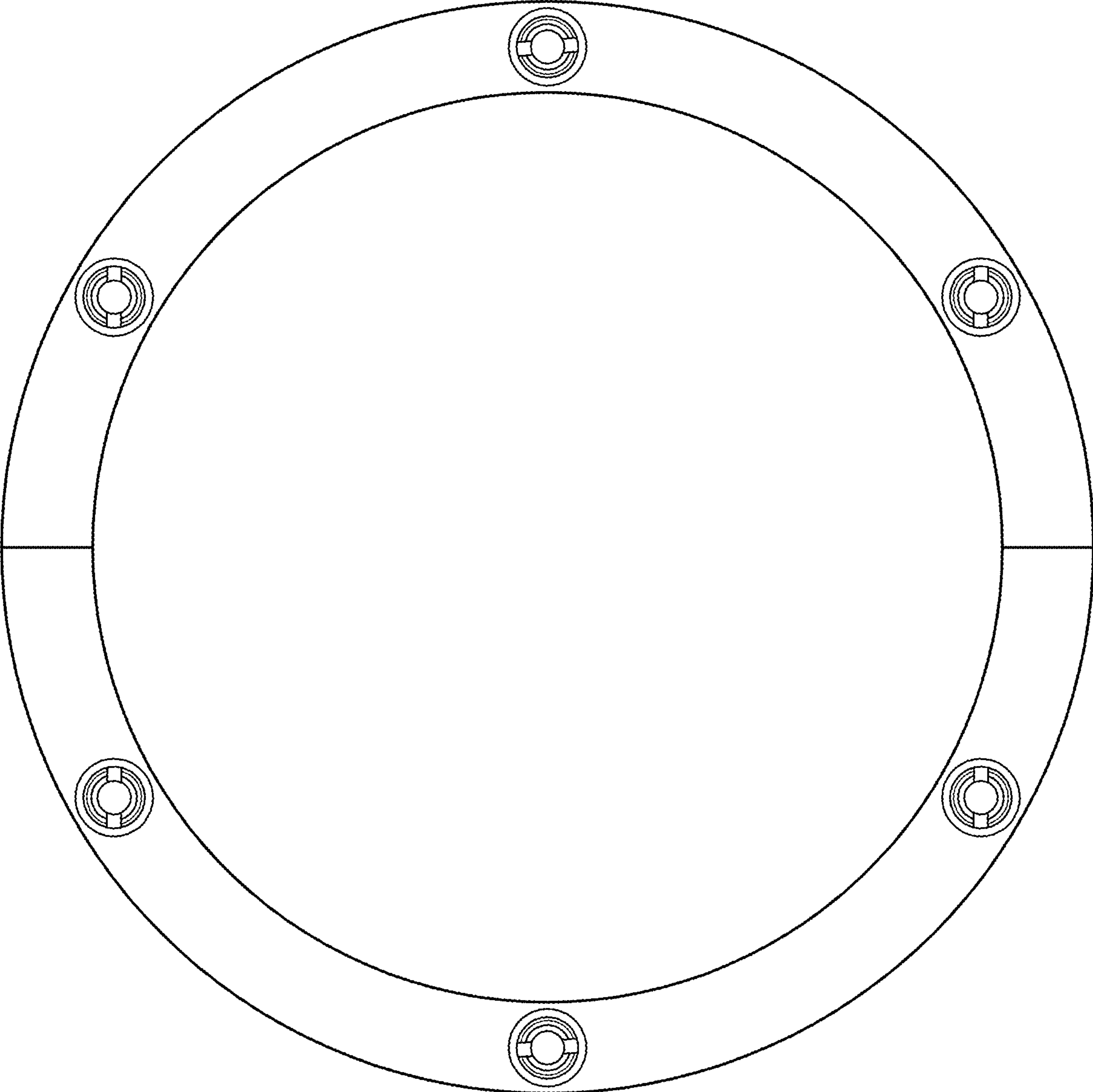


FIG.4

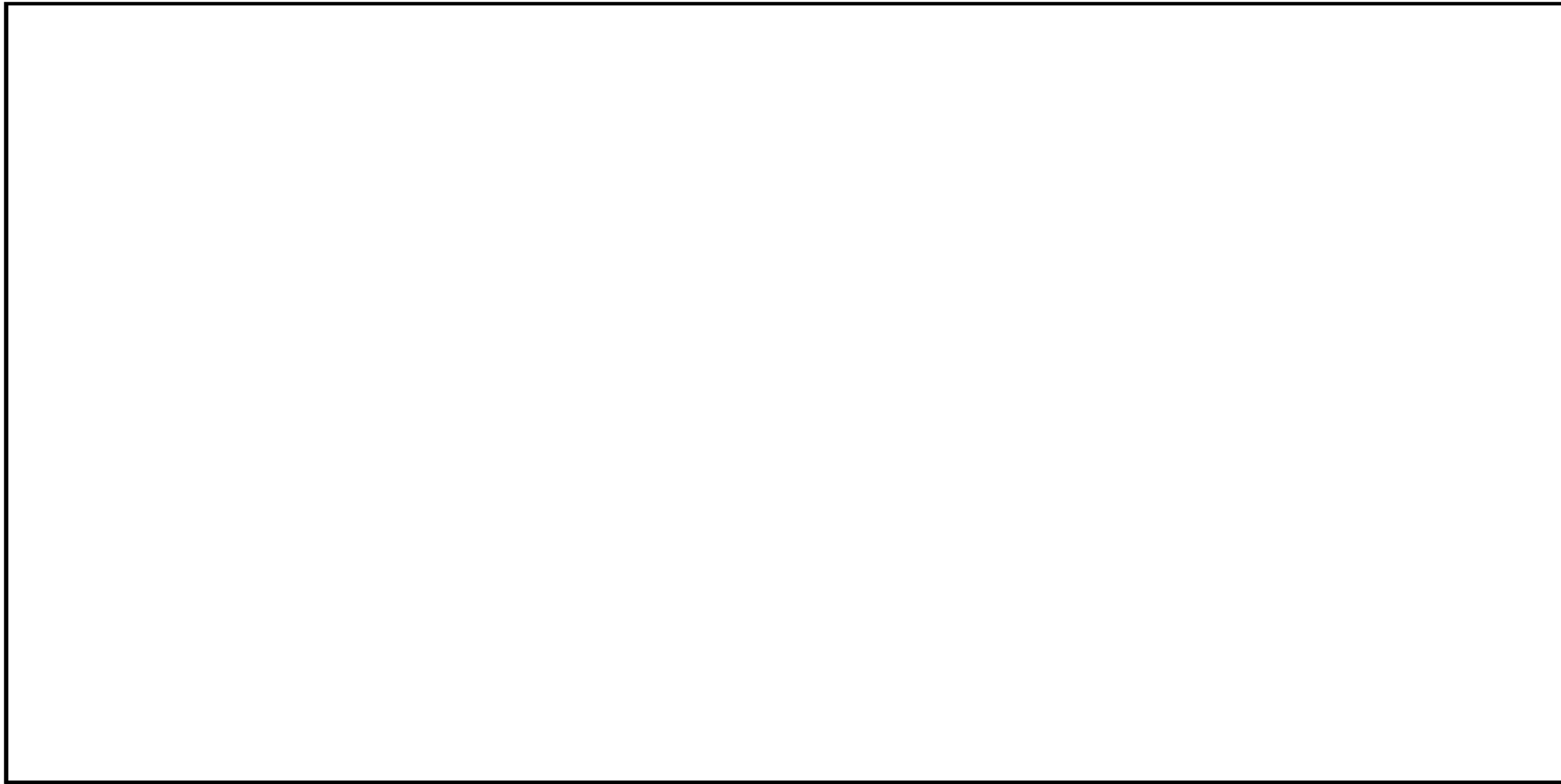


FIG. 5

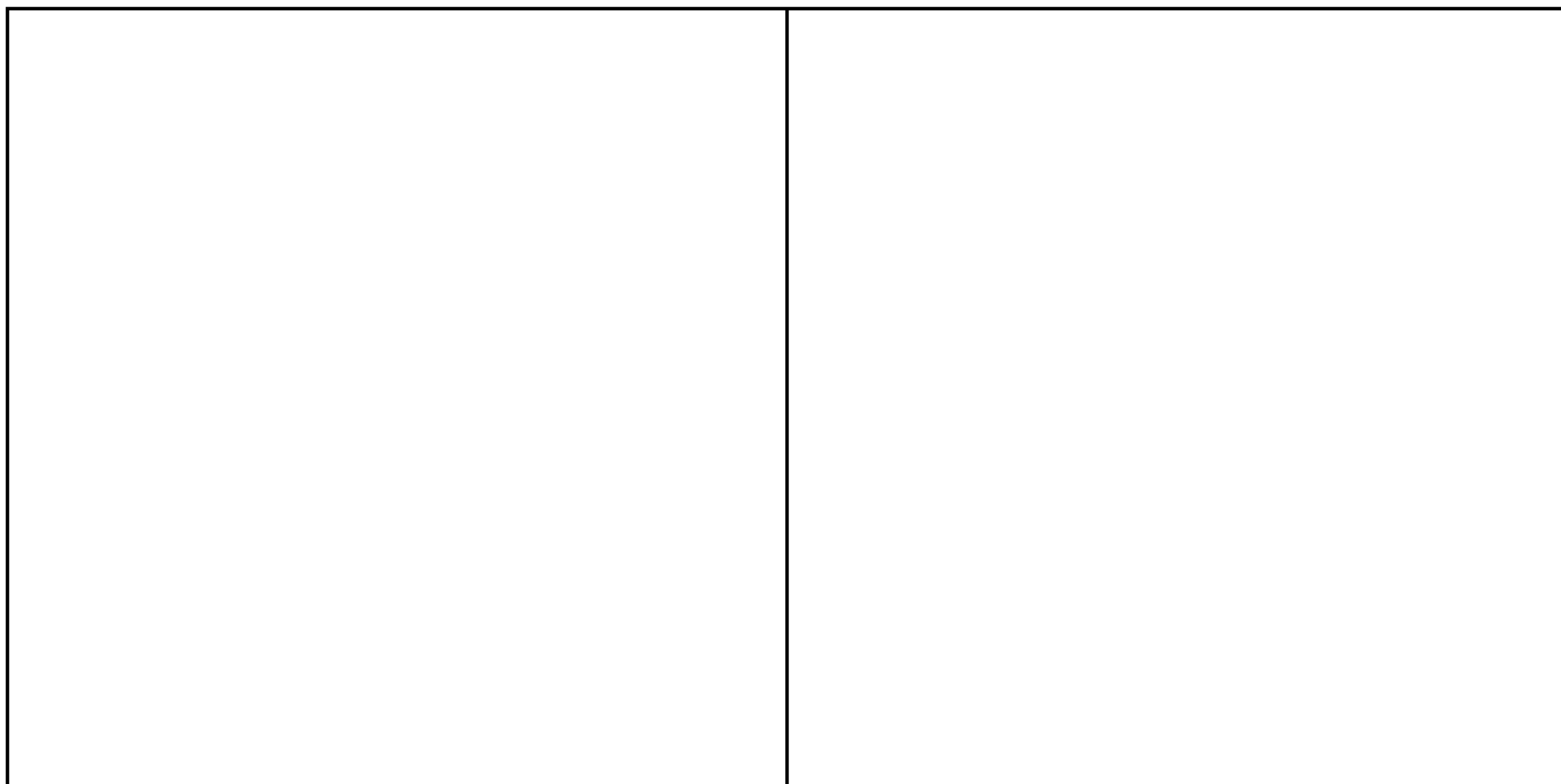


FIG. 6

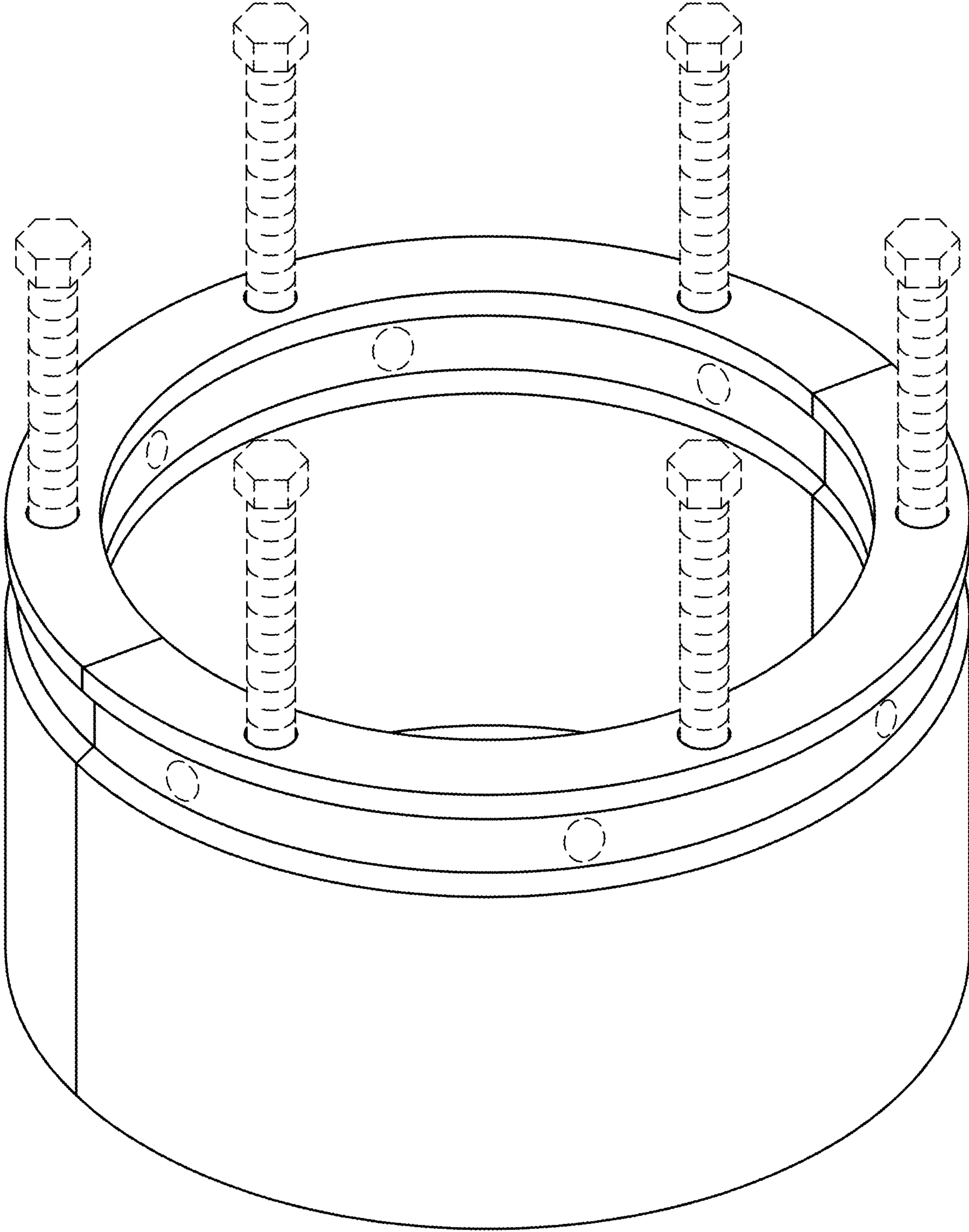


FIG.7