



US00D944874S

(12) **United States Design Patent** (10) **Patent No.:** **US D944,874 S**
Esson et al. (45) **Date of Patent:** **** Mar. 1, 2022**

(54) **AGGREGATE PROCESSING PLANT**

OTHER PUBLICATIONS

(71) Applicant: **Superior Industries, Inc.**, Morris, MN (US)

“Evowash—Compact Sand Washing Plant”, Brochure, CDE Global, 2018, 13 pages.

(72) Inventors: **Matt Esson**, Miramichi (CA); **Luke Hogan**, Miramichi (CA)

“FM60C—Washing Systems Technical Specification”, Brochure, Terex, 2012, 8 pages.

(73) Assignee: **Superior Industries, Inc.**, Morris, MN (US)

“Mobile Washing Plants”, webpage, Dernaseer, <https://web.archive.org/web/20160524085243/https://www.dernaseer.com/products/mobile-washing-plant/>, 2016, 2 pages.

(**) Term: **15 Years**

“TCP150 Compact Sand Plant”, Brochure, Trio and Wehr Minerals, 2014, 2 pages.

“Ultra Sand Plants”, McLanahan, Brochure, May 2014, 4 pages.

(21) Appl. No.: **29/722,208**

* cited by examiner

(22) Filed: **Jan. 27, 2020**

Primary Examiner — Mark A Goodwin

(51) **LOC (13) Cl.** **15-09**

(74) *Attorney, Agent, or Firm* — Todd R. Fronck; Larkin Hoffman Daly & Lindgren, Ltd

(52) **U.S. Cl.**

USPC **D15/122**

(58) **Field of Classification Search**

USPC D15/10–33, 122–125, 147, 199

CPC B07B 1/00; B01J 2/18; B01J 19/0093;

C10G 33/06; C10G 31/06; C10G 31/10;

C10G 31/09

See application file for complete search history.

(57) **CLAIM**

The ornamental design for an aggregate processing plant, as shown and described.

(56) **References Cited**

DESCRIPTION

U.S. PATENT DOCUMENTS

D515,602 S * 2/2006 Hakoh D15/199

D603,430 S * 11/2009 Masauji D15/122

D781,358 S * 3/2017 Pichler D15/122

D796,974 S * 9/2017 Dallarosa D10/70

D798,917 S * 10/2017 Gallo D15/122

D808,447 S * 1/2018 Grobe D15/122

D847,237 S * 4/2019 Sakka D15/199

2021/0086156 A1 * 3/2021 Esson C10G 31/09

FIG. 1 is a perspective view of an aggregate processing plant showing our new design;

FIG. 2 is a left elevation view thereof;

FIG. 3 is a right elevation view thereof;

FIG. 4 is a top plan view thereof;

FIG. 5 is a bottom plan view thereof;

FIG. 6 is a front elevation view thereof; and,

FIG. 7 is a rear elevation view thereof.

The broken lines shown in the drawings illustrate portions of the aggregate processing plant that form no part of the claimed design.

FOREIGN PATENT DOCUMENTS

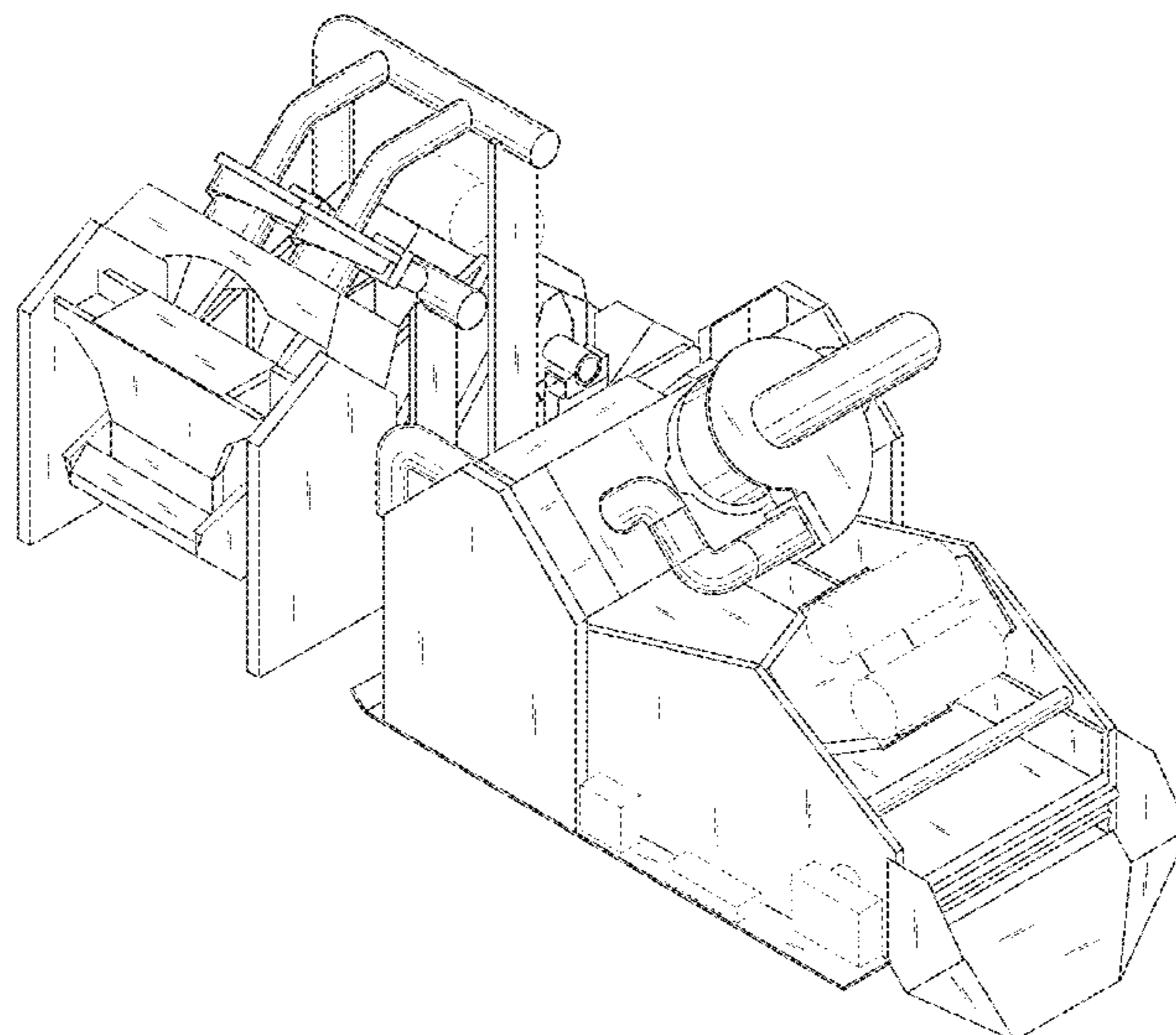
CN 206008237 U 3/2017

CN 106890504 A 6/2017

GB 2552042 B 8/2018

GB 2560517 B 4/2019

1 Claim, 7 Drawing Sheets



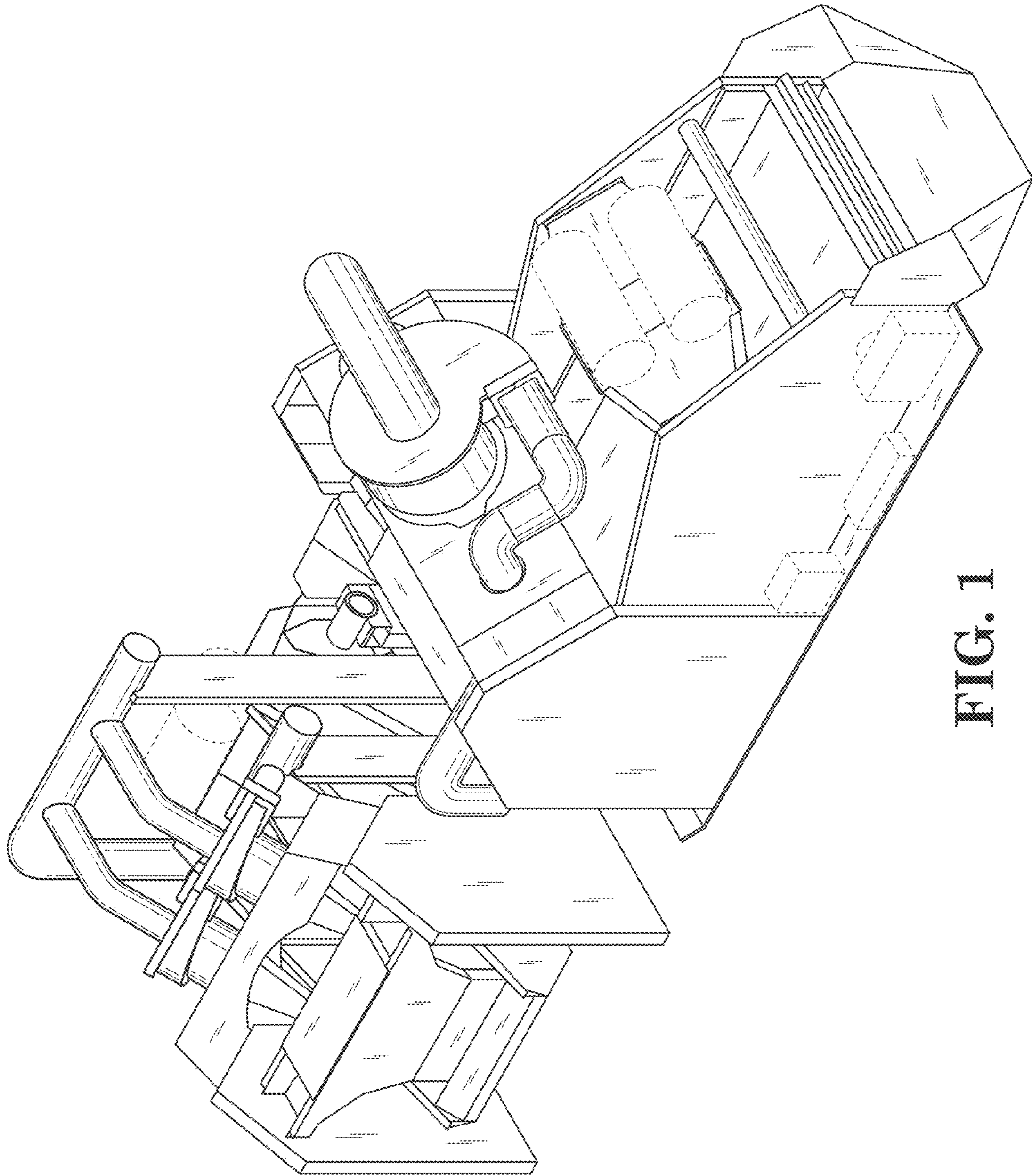


FIG. 1

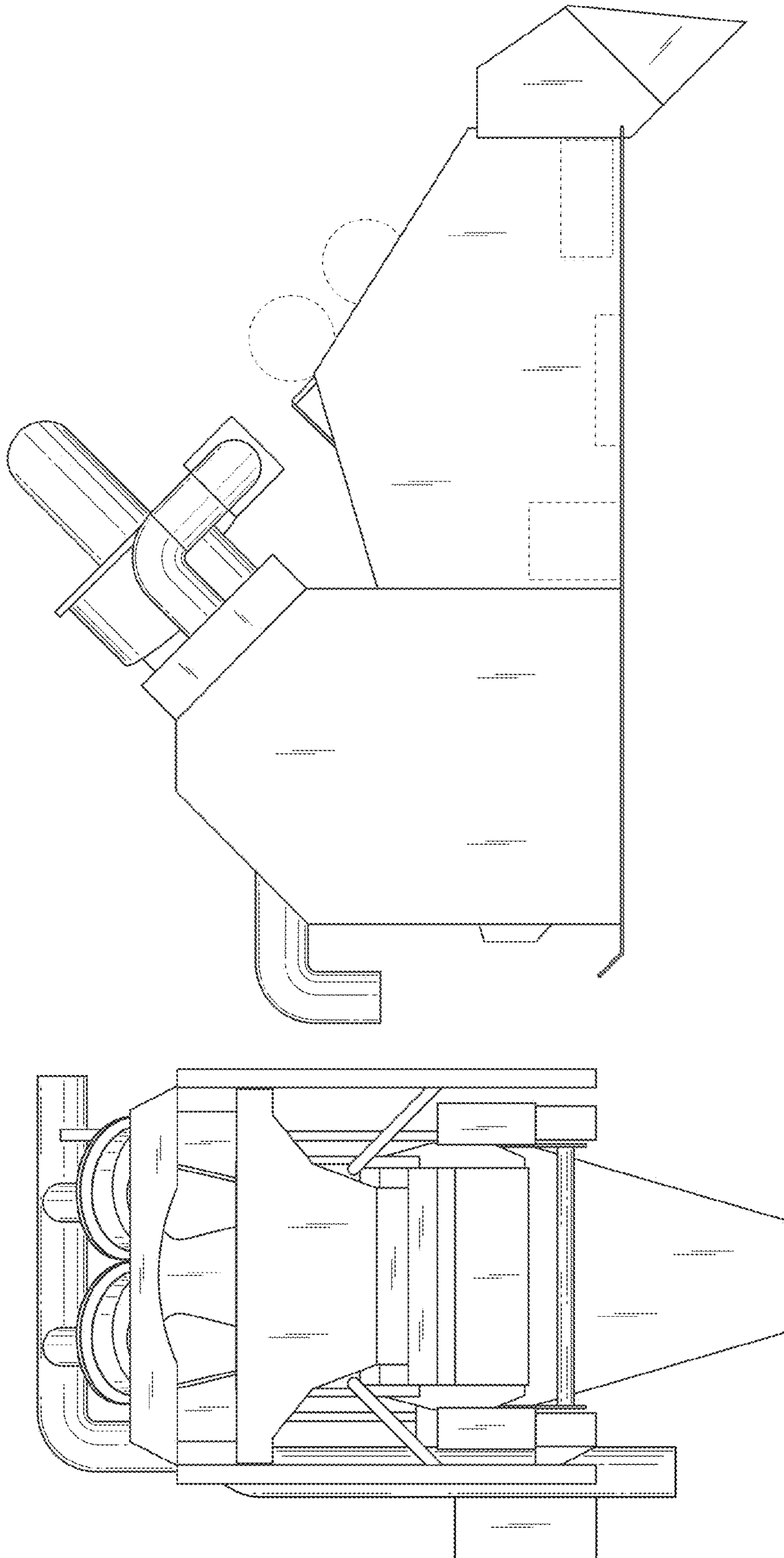


FIG. 2

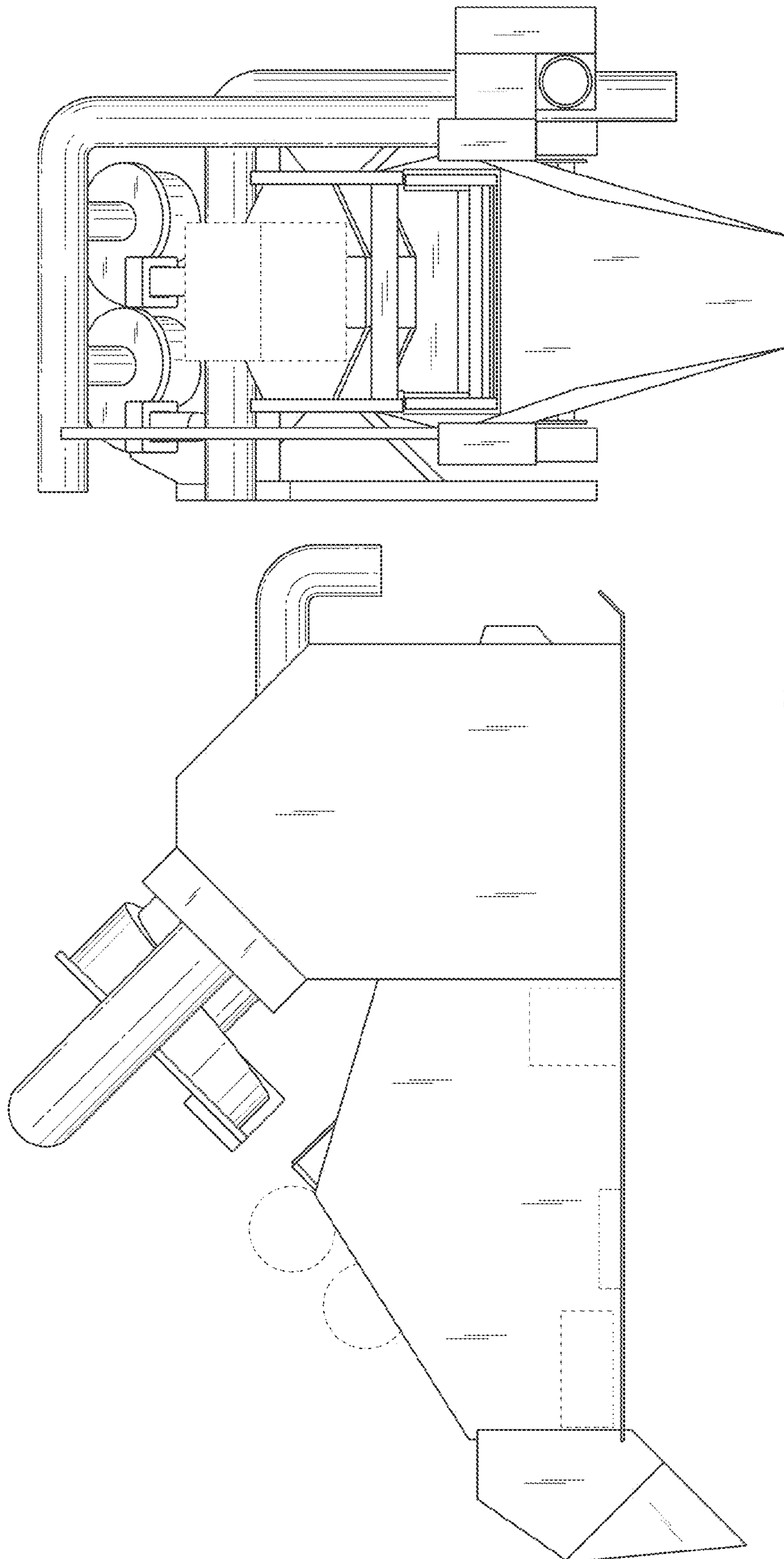


FIG. 3

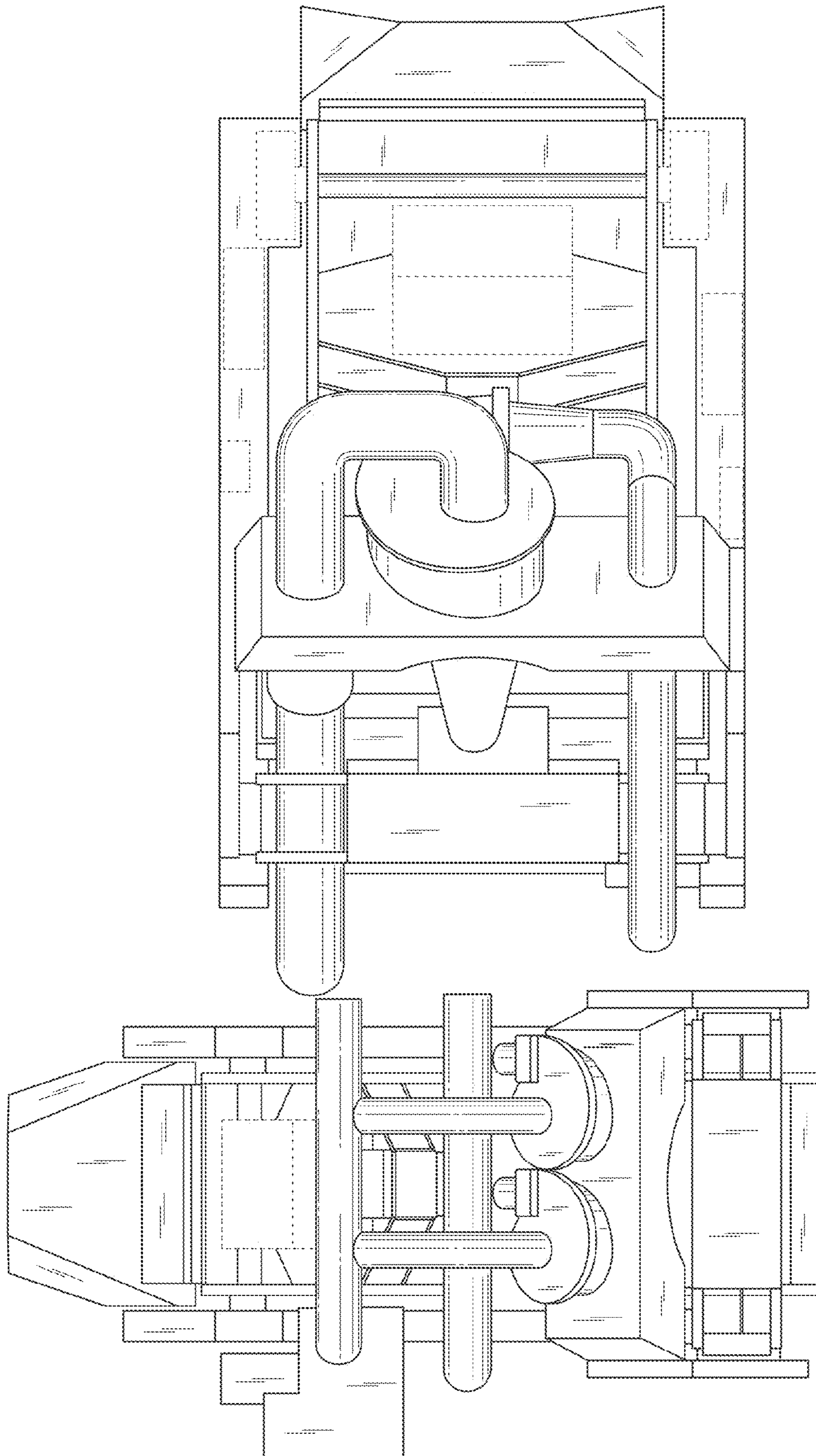


FIG. 4

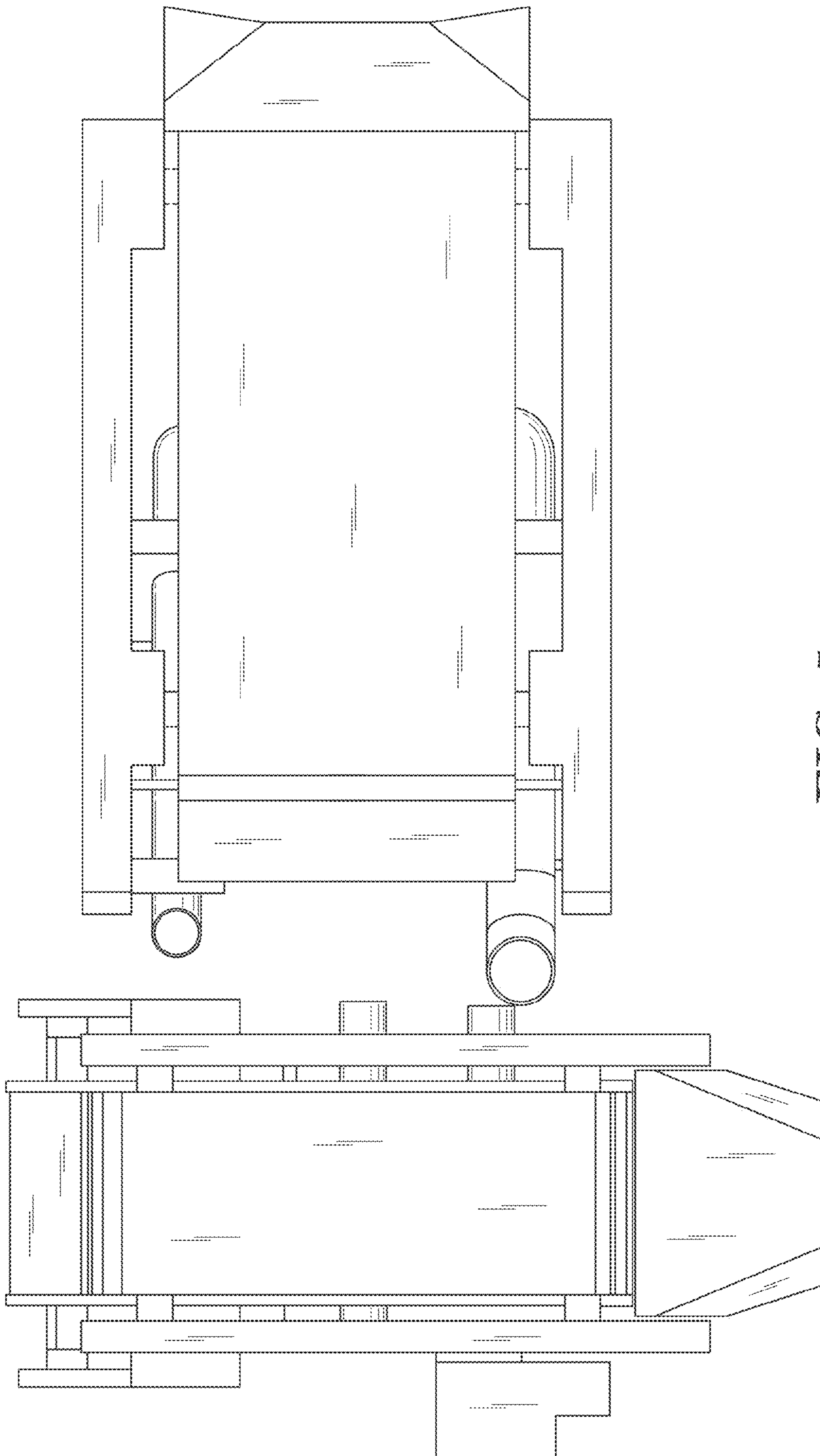


FIG. 5

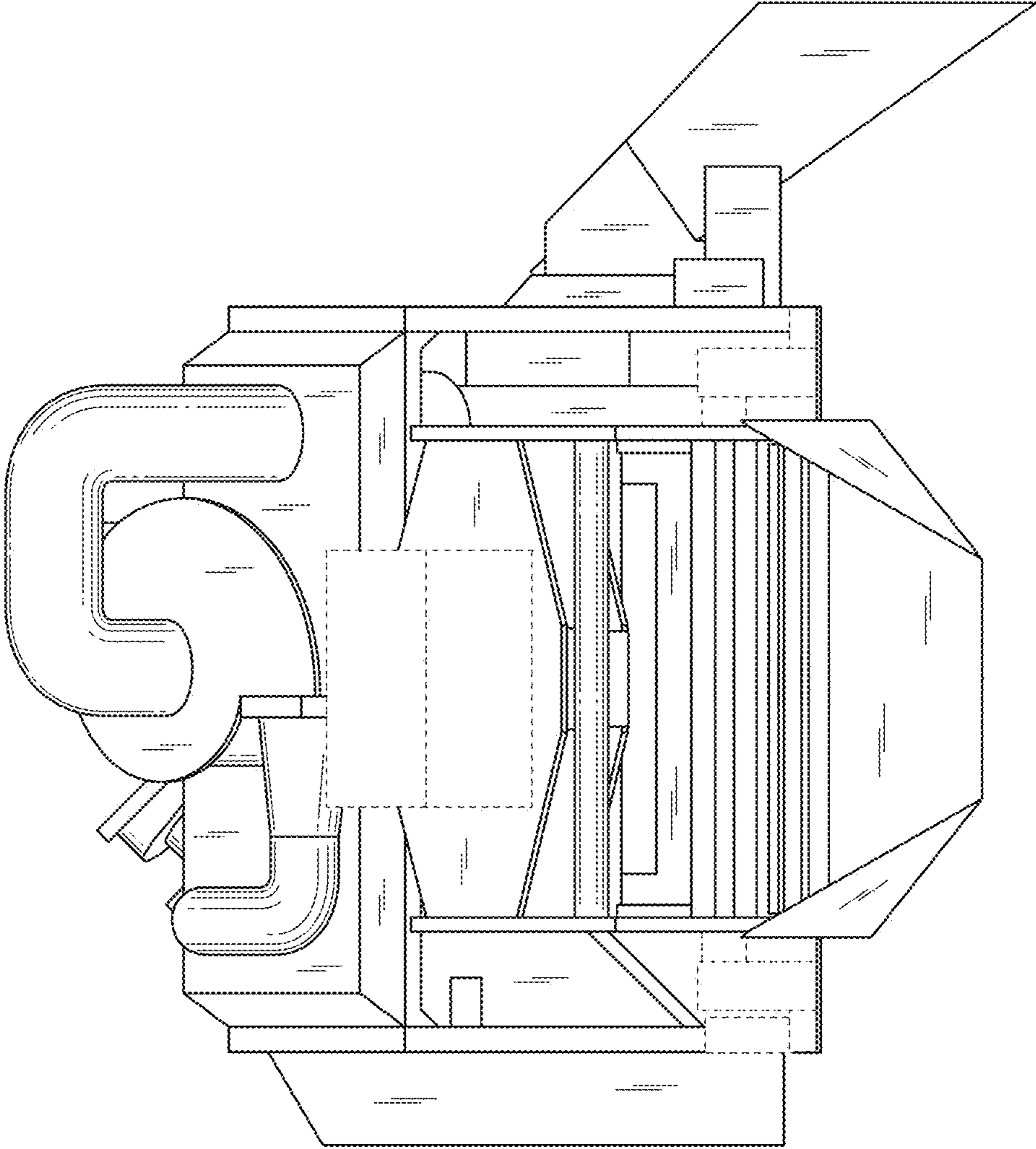


FIG. 6

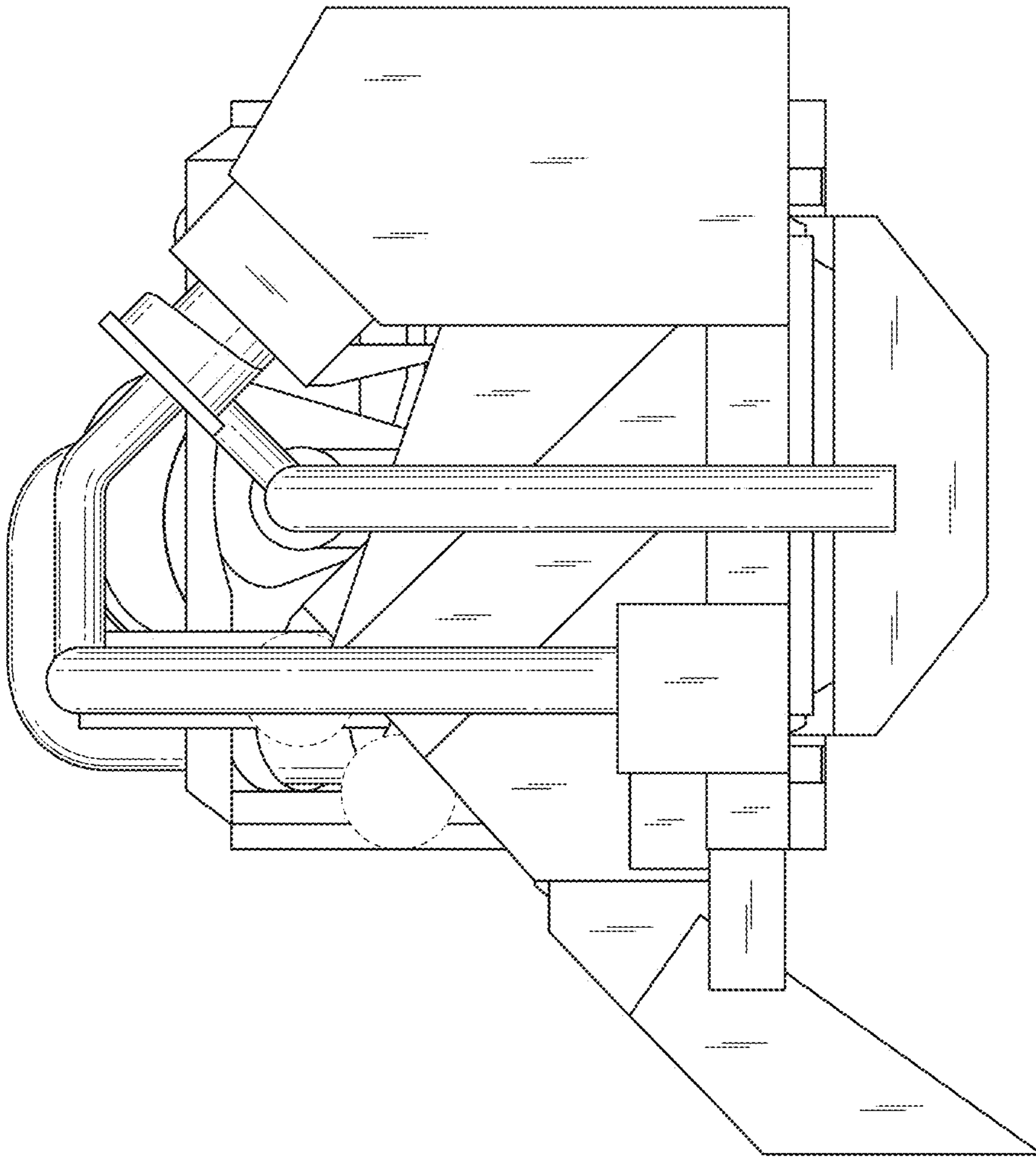


FIG. 7