



US00D944873S

(12) **United States Design Patent** (10) **Patent No.:** **US D944,873 S**
Ye (45) **Date of Patent:** **** Mar. 1, 2022**

(54) **ICE MOLD**
(71) Applicant: **Shuisheng Ye**, Shenzhen (CN)
(72) Inventor: **Shuisheng Ye**, Shenzhen (CN)
(**) Term: **15 Years**
(21) Appl. No.: **29/733,117**
(22) Filed: **Apr. 29, 2020**
(51) **LOC (13) Cl.** **15-07**
(52) **U.S. Cl.**
USPC **D15/90**
(58) **Field of Classification Search**
USPC D7/300, 368, 387, 603, 605, 608, 619,
D7/669, 672; D15/79-91; D9/100
CPC F25C 2400/10; F25C 5/005; F25C 1/10;
F25C 2305/022; F25C 2600/04; F25C
2700/14; F25C 5/06; F25C 5/182; F25C
1/08; F25C 1/24; F25C 2400/14; F25C
2500/02; A47J 43/00; A47J 43/20; A47J
9/00; A47J 9/007
See application file for complete search history.

(56) **References Cited**

U.S. PATENT DOCUMENTS

2,032,483 A * 3/1936 Isenberg A23G 9/221
249/158
D251,432 S * 3/1979 Sawada D15/82
D534,190 S * 12/2006 Ball D15/82
D654,934 S * 2/2012 Cesarino D15/90
D734,106 S * 7/2015 Frank D7/672
D781,932 S * 3/2017 Yoshikawa D15/80
D805,856 S * 12/2017 Rivera D7/624.2
D875,471 S * 2/2020 Cheng D7/510
D899,856 S * 10/2020 Jacobsen D7/511
D908,147 S * 1/2021 Steere D15/90
D916,146 S * 4/2021 Wu D15/90
D916,936 S * 4/2021 Dittrich D15/90

2011/0204053 A1* 8/2011 Umholtz B65D 47/265
220/254.8
2018/0332987 A1* 11/2018 Lin B65D 51/18
2019/0239682 A1* 8/2019 Lee A47J 36/2472

FOREIGN PATENT DOCUMENTS

CN 305918095 * 7/2020

OTHER PUBLICATIONS

Feici, Ice Cube Spheres Whiskey Tray Mold Maker, Ice Tray, (first available Mar. 19, 2021), Amazon.ae website, URL:<<https://www.amazon.ae/Crystal-Clear-Ice-Cube-Maker-Spheres/dp/B08Q38X4X7>> (Year: 2021).*
Corkcicle, Invisiball Kit, (site visited Oct. 7, 2021), Corkcicle.com Website, URL:<<https://corkcicle.com/products/invisiball-kit>> (Year: 2021).*

* cited by examiner

Primary Examiner — Sheryl Lane
Assistant Examiner — Mark T. Philipps
(74) *Attorney, Agent, or Firm* — Novoclaims Patent Services LLC; Mei Lin Wong

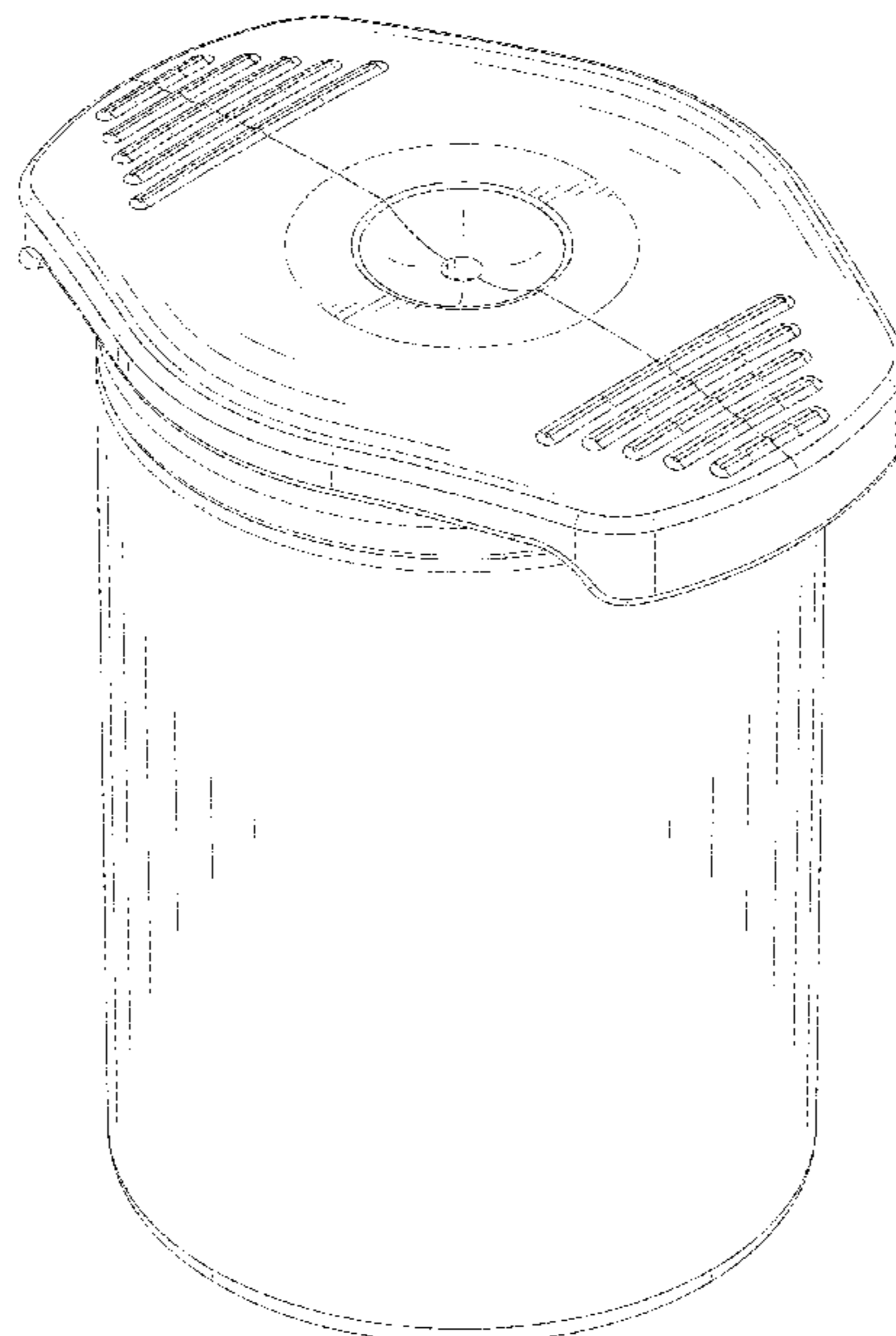
(57) **CLAIM**

The ornamental design for an ice mold, as shown and described.

DESCRIPTION

FIG. 1 is a perspective view of an ice mold showing my new design;
FIG. 2 is a bottom perspective view thereof;
FIG. 3 is a front view thereof;
FIG. 4 is a rear view thereof;
FIG. 5 is a left side view thereof;
FIG. 6 is a right side view thereof;
FIG. 7 is a top view thereof; and,
FIG. 8 is a bottom view thereof.

1 Claim, 8 Drawing Sheets



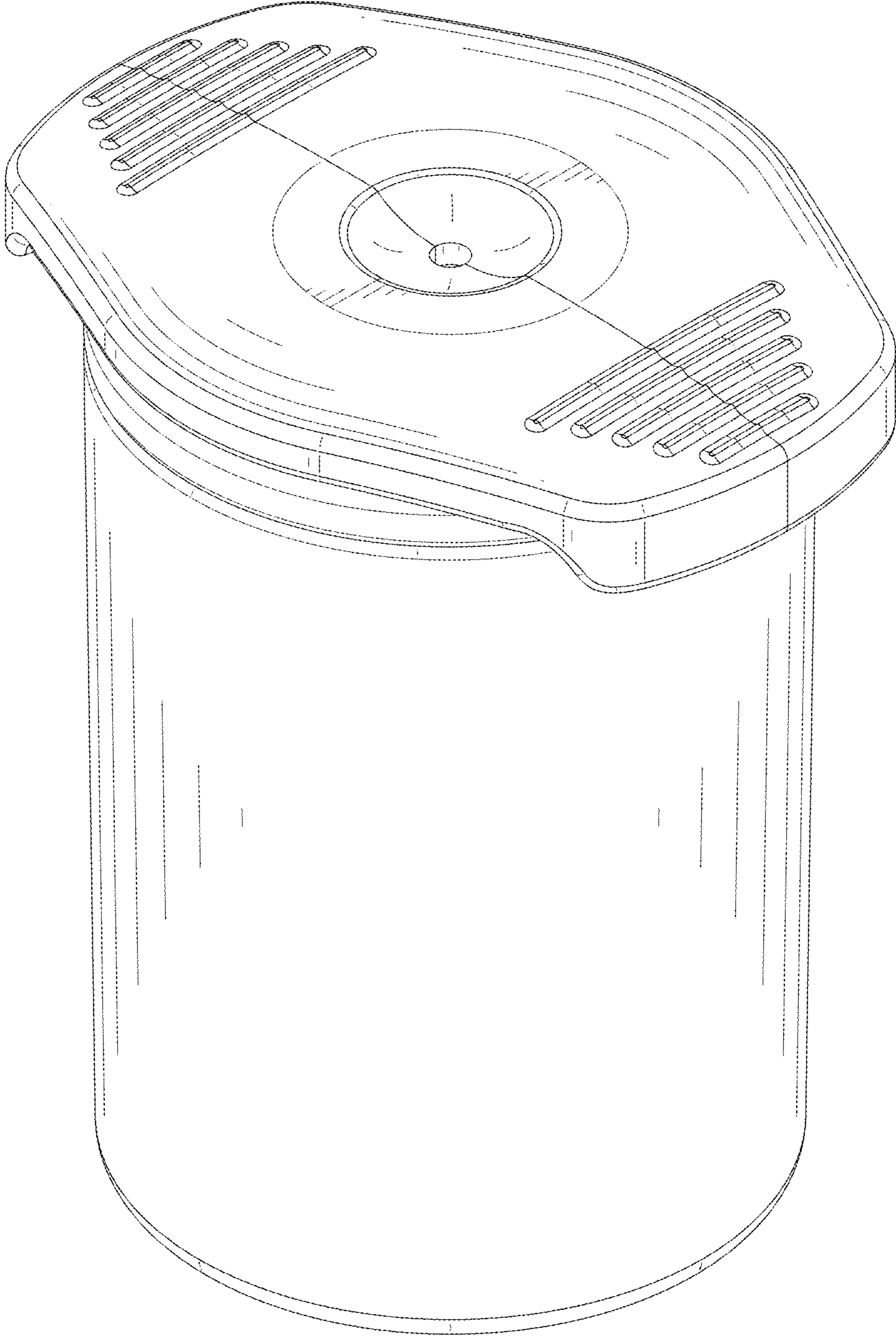


FIG.1

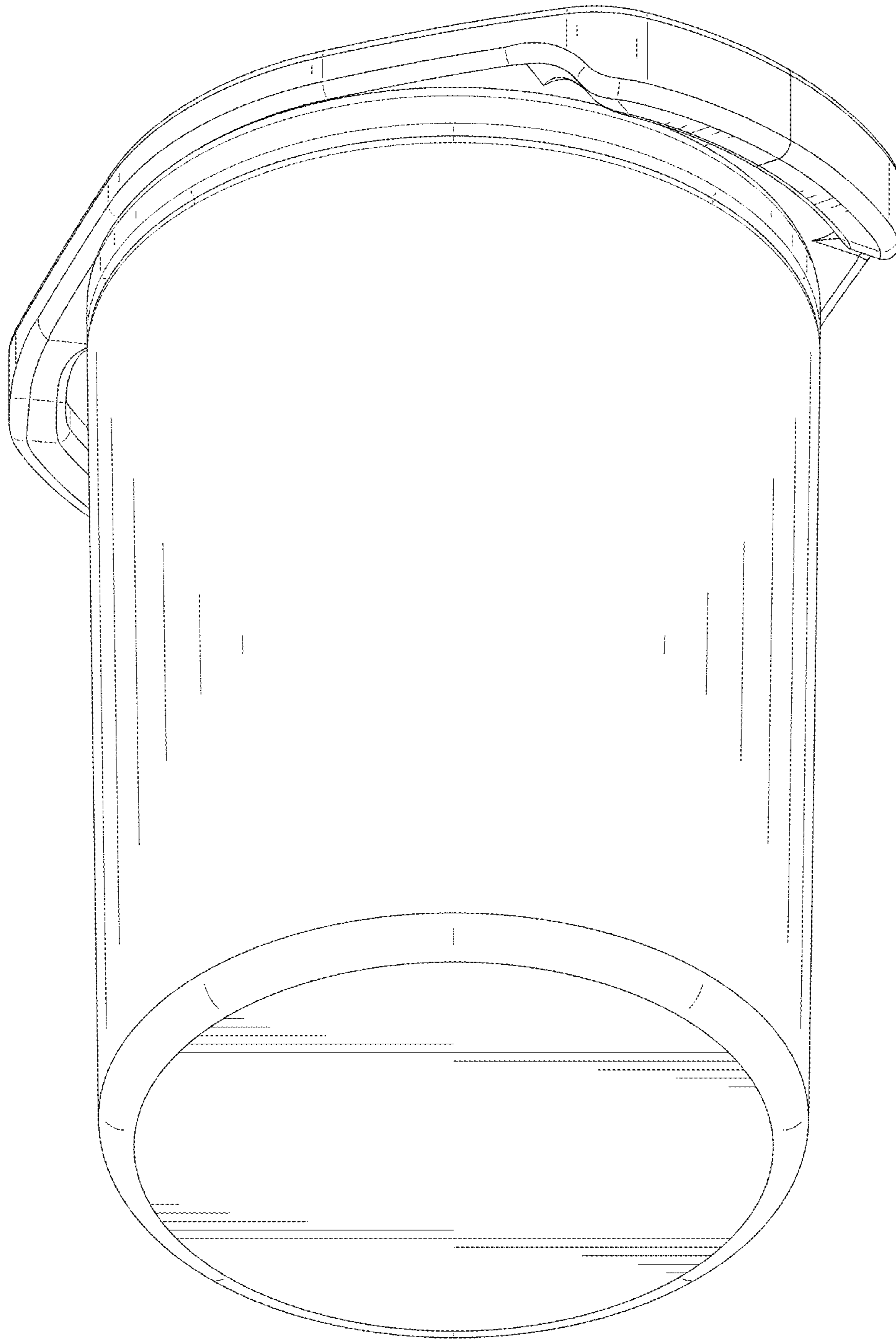


FIG.2

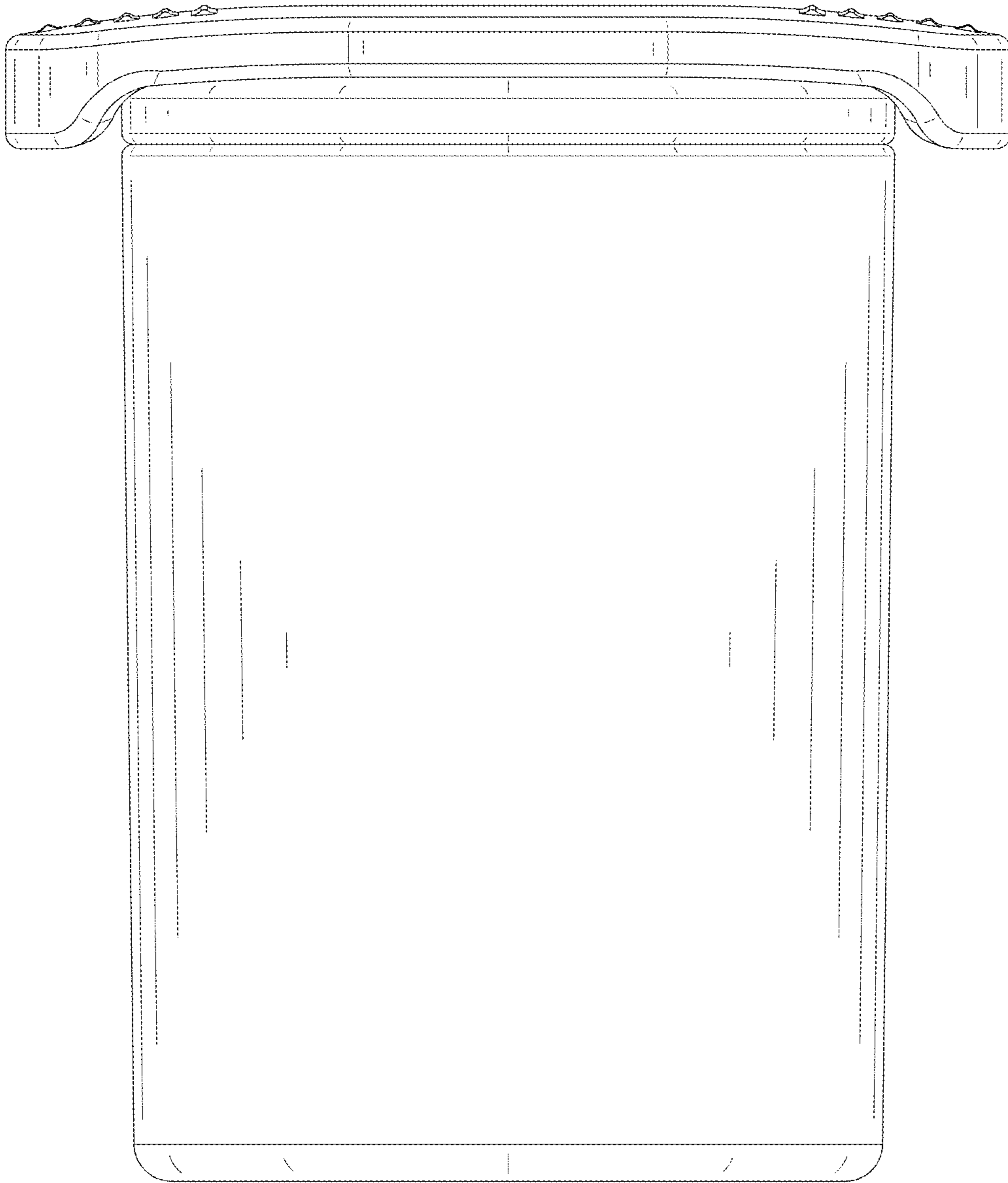


FIG.3

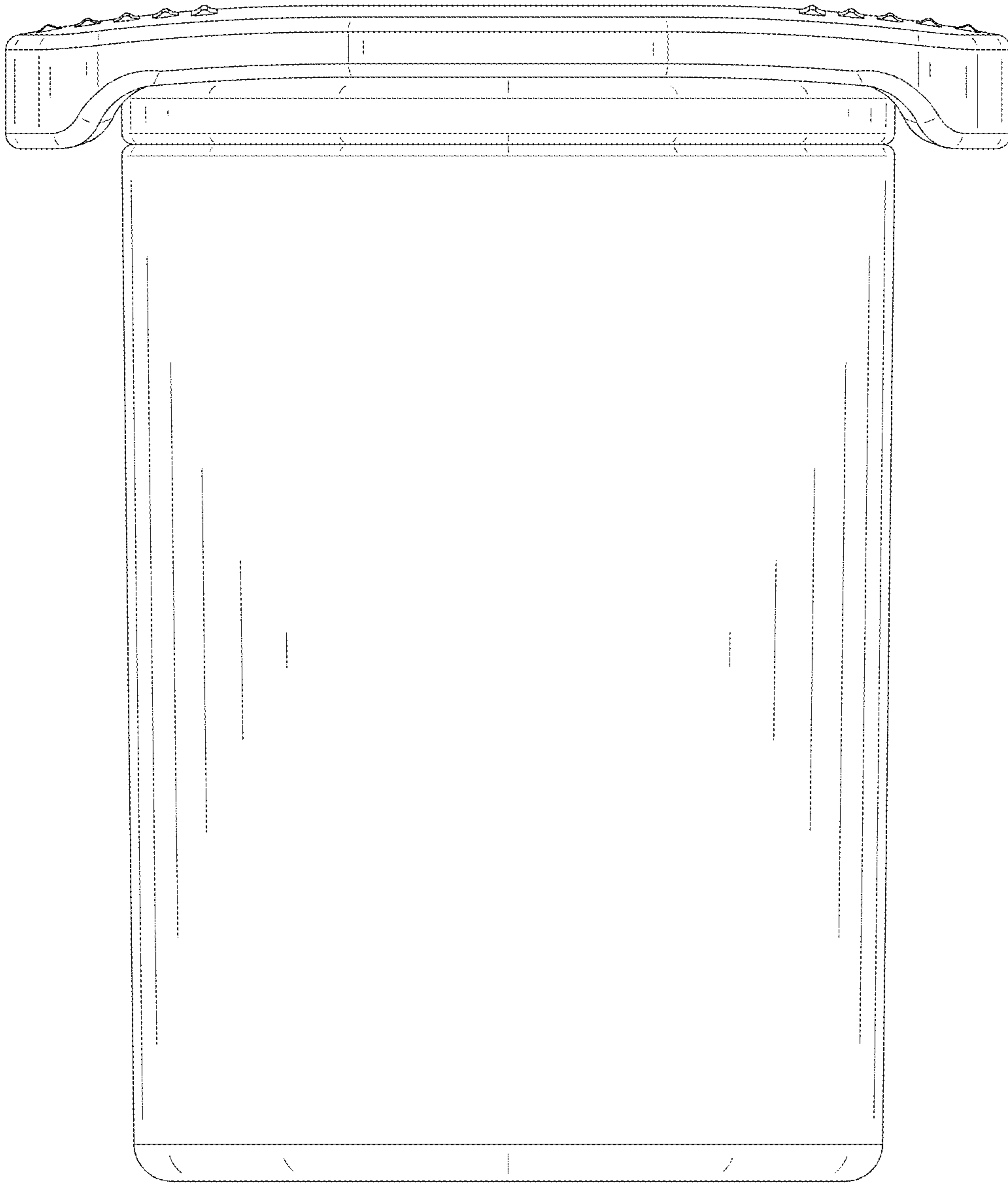


FIG.4

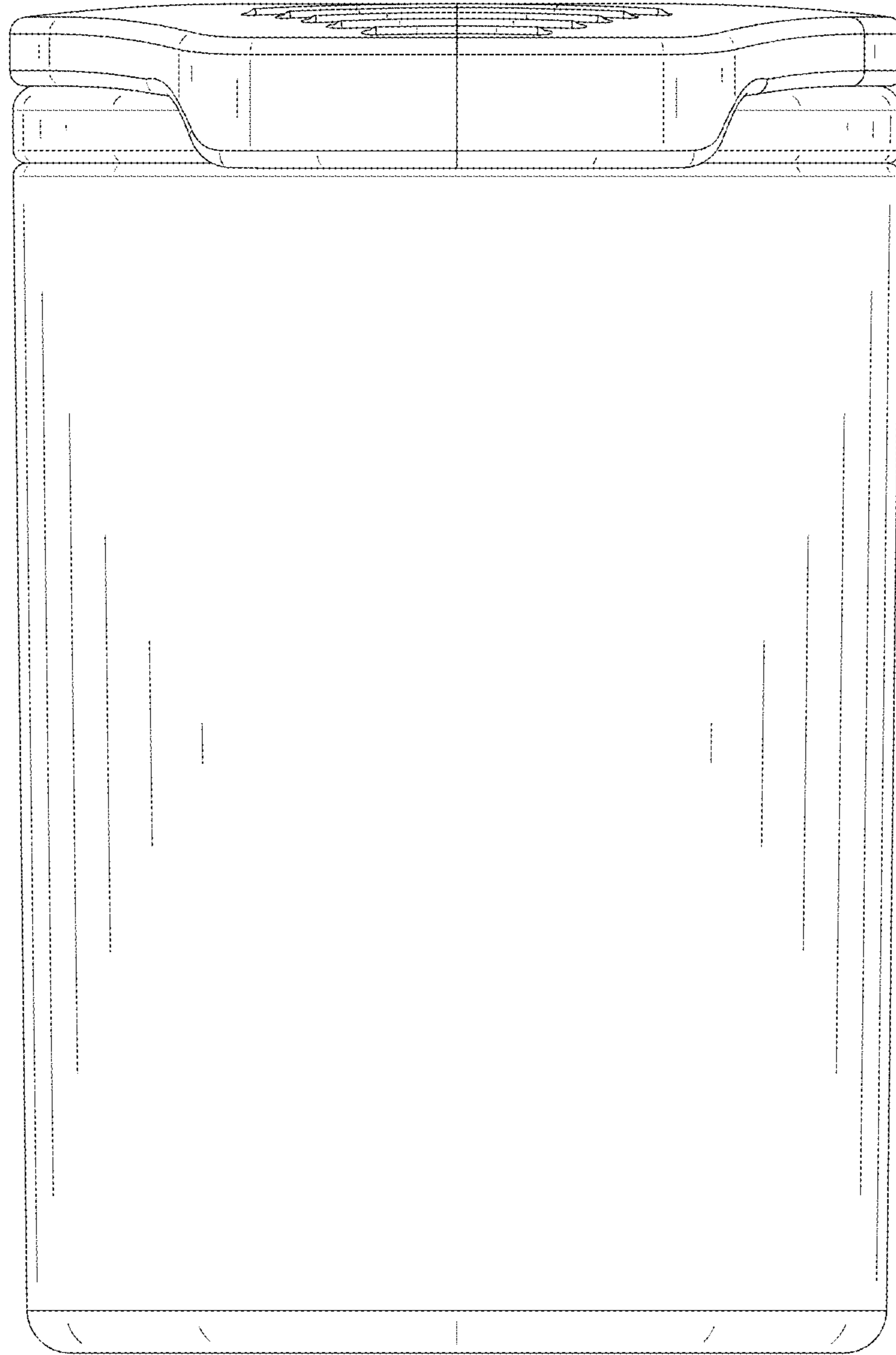


FIG.5

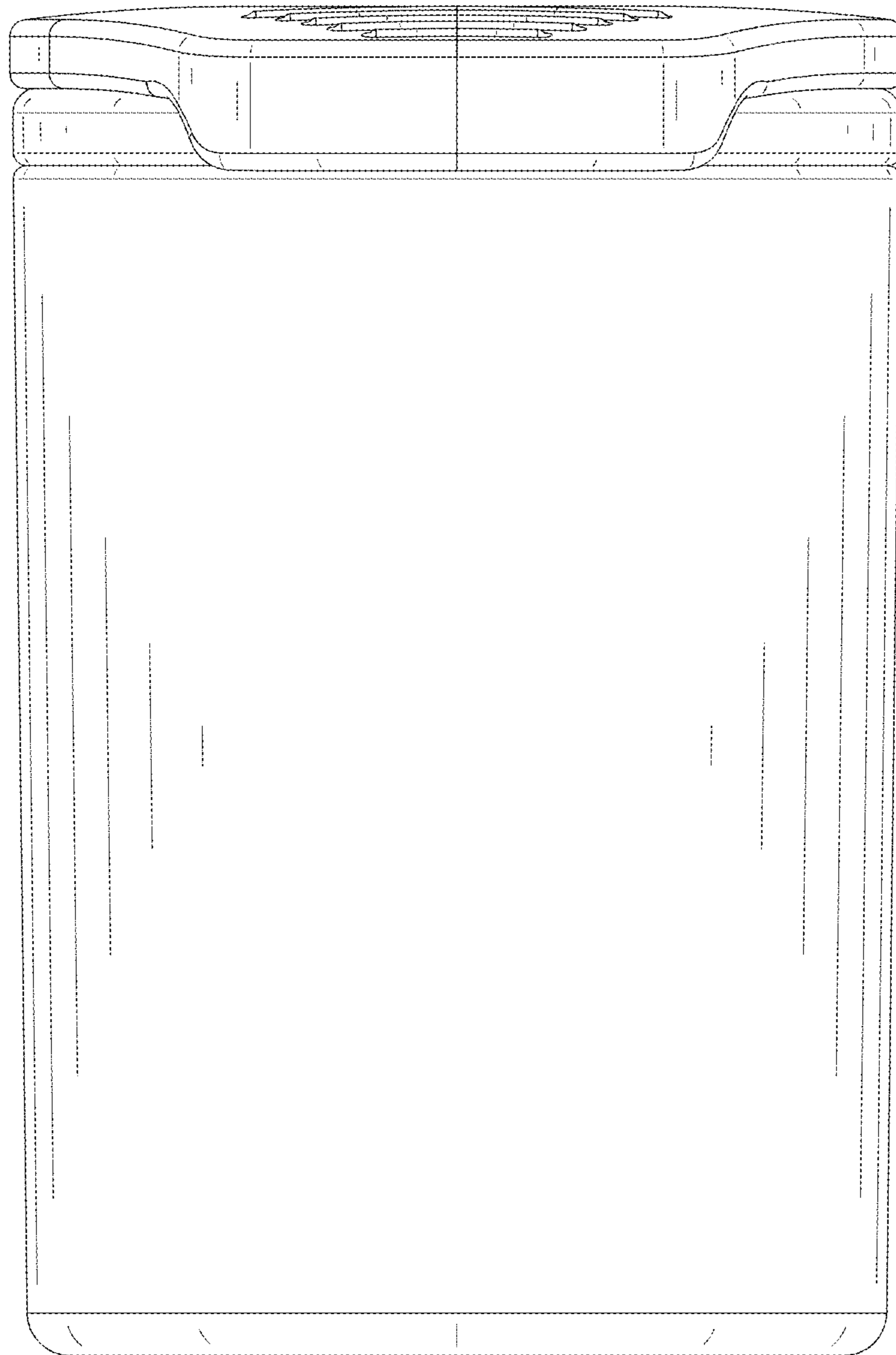


FIG.6

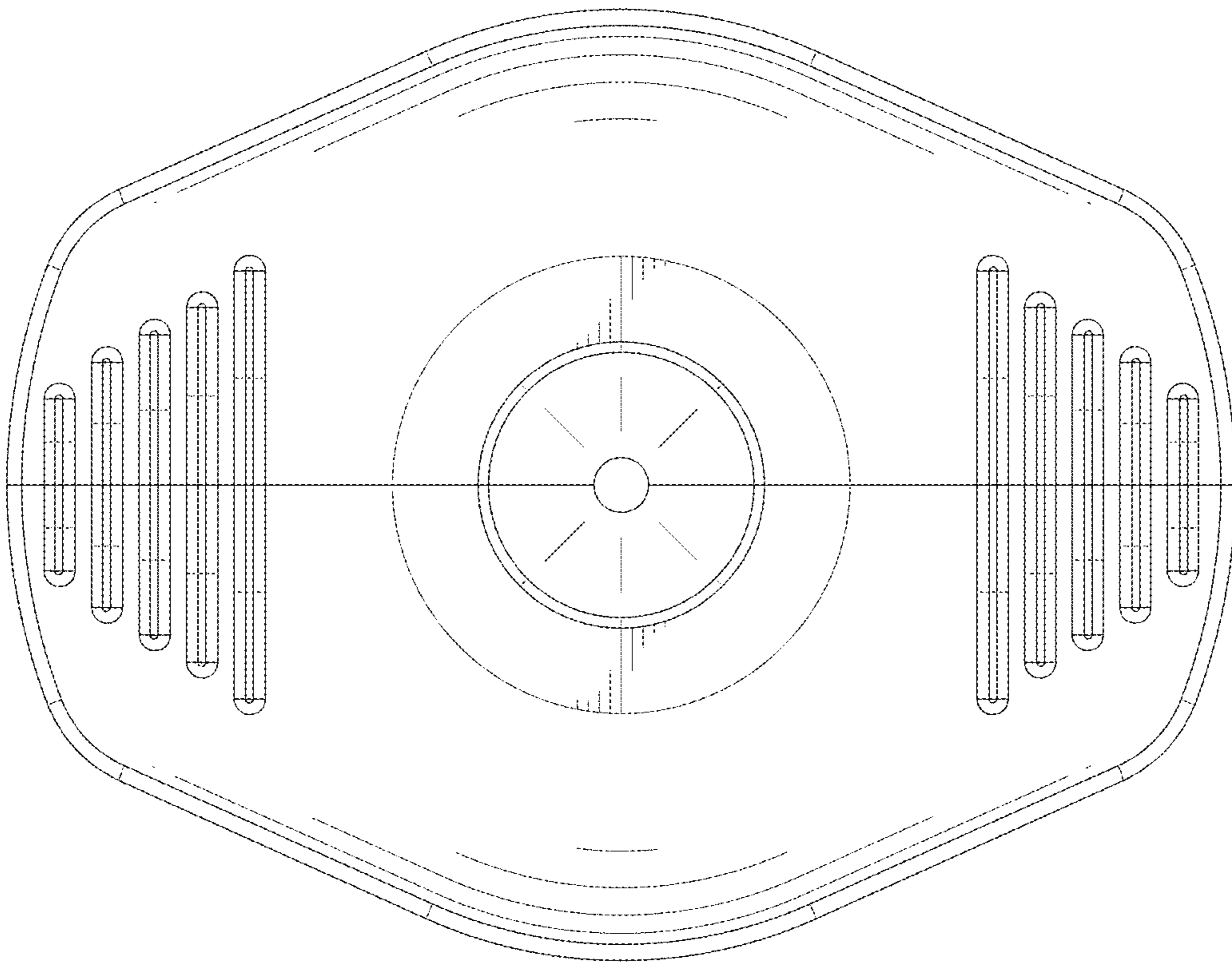


FIG.7

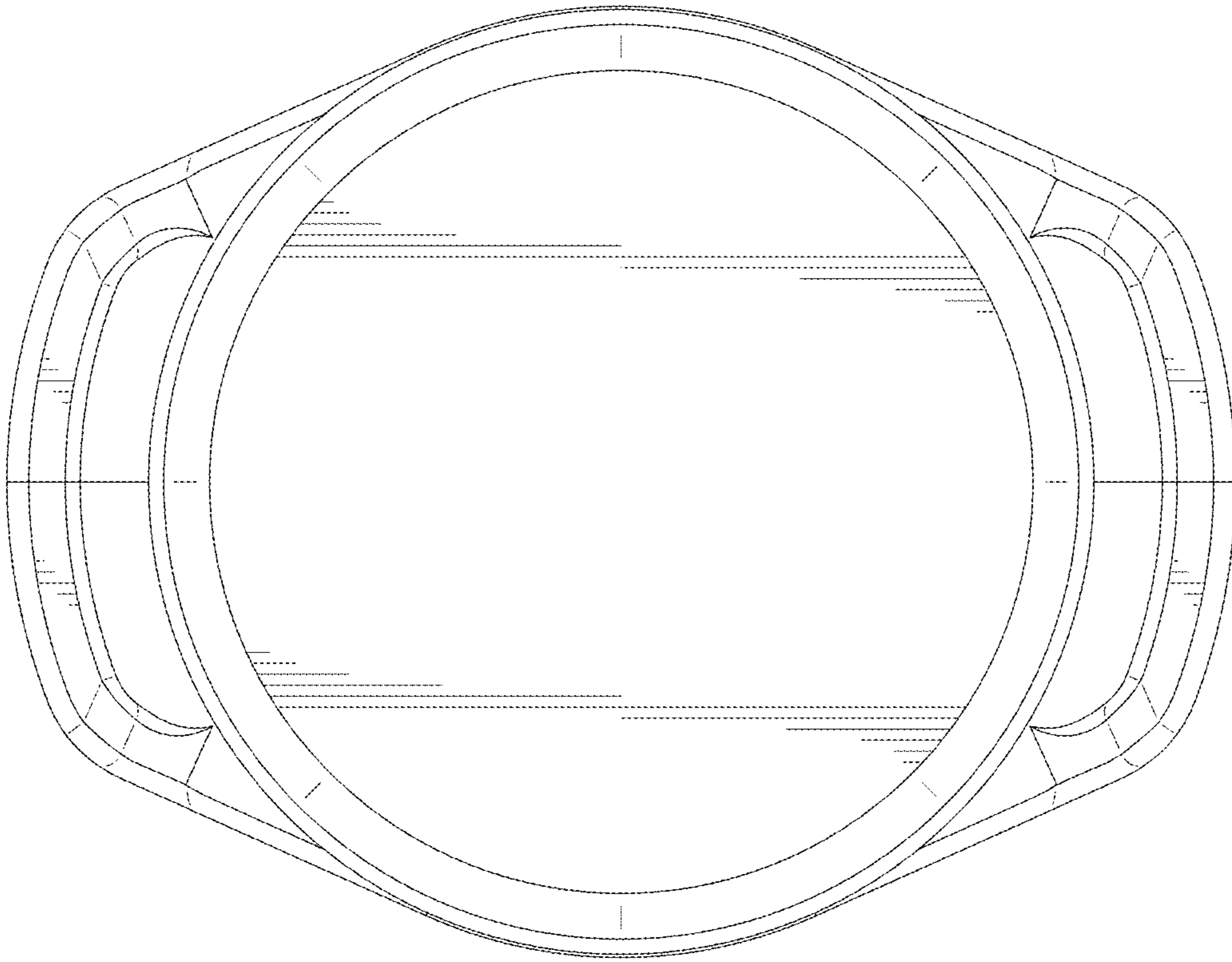


FIG.8