

US00D944869S

(12) **United States Design Patent** (10) **Patent No.:** **US D944,869 S**
Rekow et al. (45) **Date of Patent:** **** Mar. 1, 2022**

- (54) **ARM PAD**
- (71) Applicant: **Crown Equipment Corporation**, New Bremen, OH (US)
- (72) Inventors: **Craig Rekow**, Troy, OH (US); **Gerald Lamb**, Decatur, IN (US)
- (73) Assignee: **Crown Equipment Corporation**, New Bremen, OH (US)
- (**) Term: **15 Years**
- (21) Appl. No.: **29/666,568**
- (22) Filed: **Oct. 15, 2018**

5,938,282 A 8/1999 Epple
 D458,278 S * 6/2002 Clevenger D15/28
 6,631,652 B1 * 10/2003 Okazawa E02F 9/2004
 74/471 XY
 6,634,453 B2 10/2003 Arthur et al.
 6,903,652 B2 6/2005 Noguchi et al.
 (Continued)

FOREIGN PATENT DOCUMENTS

DE 102009008728 A1 10/2009
 GB 2161755 A 1/1986
 (Continued)

OTHER PUBLICATIONS

U.S. Appl. No. 29/662,647; entitled "Arm Pad"; filed Sep. 7, 2018 with inventors Craig Rekow et al.
 (Continued)

Related U.S. Application Data

- (63) Continuation of application No. 29/662,647, filed on Sep. 7, 2018.
- (51) **LOC (13) Cl.** **15-03**
- (52) **U.S. Cl.**
USPC **D15/28**
- (58) **Field of Classification Search**
USPC D15/11, 28, 21, 17, 18; D12/174, 179;
D14/412, 413, 415, 416, 428
CPC B60Y 2200/15; G05G 1/62; B60N 2/5664;
B60N 2/797
See application file for complete search history.

Primary Examiner — Mark A Goodwin
Assistant Examiner — Benjamin M Weeks
 (74) *Attorney, Agent, or Firm* — Stevens & Showalter LLP

(57) **CLAIM**

The ornamental design for an arm pad, as shown and described.

DESCRIPTION

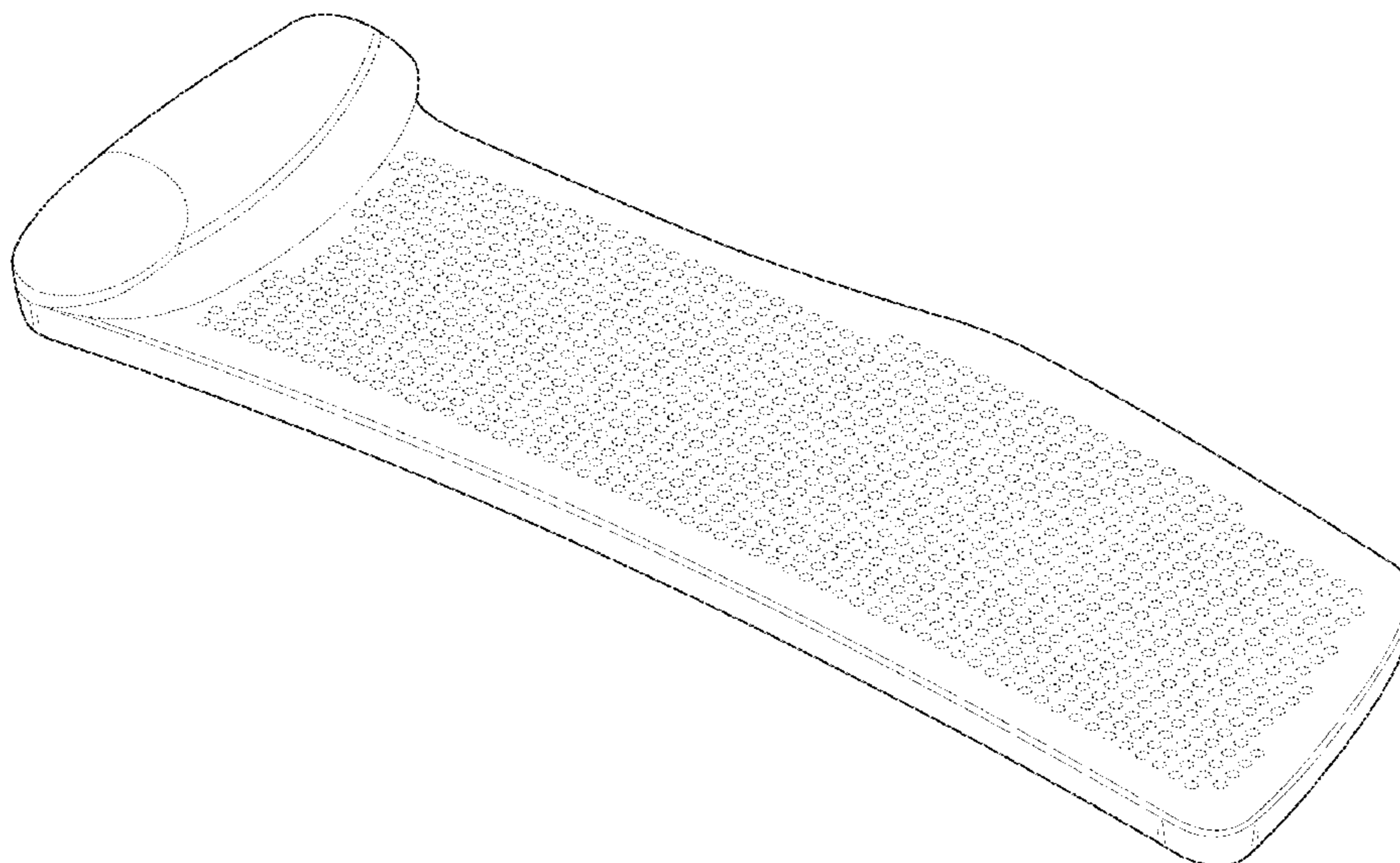
FIG. 1 is a perspective view of an arm pad as seen from the top, front, and first side;
 FIG. 2 is a first side elevational view thereof;
 FIG. 3 is a second side elevational view thereof;
 FIG. 4 is a bottom plan view thereof;
 FIG. 5 is a top plan view thereof;
 FIG. 6 is a rear elevational view thereof; and,
 FIG. 7 is a front elevational view thereof.
 The broken lines shown in the drawings represent unclaimed subject matter and form no part of the claimed design.

1 Claim, 5 Drawing Sheets

(56) **References Cited**

U.S. PATENT DOCUMENTS

4,200,166 A 4/1980 Hansen
 D277,916 S * 3/1985 Aronowitz D6/716.2
 4,650,934 A 3/1987 Burke
 4,913,573 A 4/1990 Retter
 4,917,516 A 4/1990 Retter
 D315,896 S 4/1991 Brown
 5,434,757 A 7/1995 Kashiwagi
 5,566,778 A 10/1996 Valier et al.
 5,892,499 A 4/1999 Vulk, Jr.



(56)

References Cited

U.S. PATENT DOCUMENTS

6,928,350 B2	8/2005	Melnyk et al.	
D516,097 S *	2/2006	Bergman	D15/28
7,018,158 B2	3/2006	Amamiya et al.	
7,172,050 B2	2/2007	Amamiya	
7,438,318 B2	10/2008	Sano	
7,458,439 B2	12/2008	Catton et al.	
7,641,021 B2	1/2010	Behneke et al.	
7,712,571 B2	5/2010	Proud et al.	
D631,475 S	1/2011	Burke et al.	
D636,394 S	4/2011	Burke et al.	
7,971,677 B2	7/2011	Ekren et al.	
D727,366 S *	4/2015	Furuki	D15/28
9,058,052 B2	6/2015	Bruns et al.	
9,330,524 B2	5/2016	Chudek et al.	
9,670,939 B2	6/2017	Komatsu et al.	
9,679,715 B2	6/2017	Mori et al.	
9,816,251 B2	11/2017	Sasakawa	
9,965,061 B2	5/2018	Suzuki et al.	
D878,429 S *	3/2020	Rekow	D15/28
D922,279 S *	6/2021	Rekow	D12/174
2005/0034549 A1	2/2005	Braud	
2008/0023250 A1	1/2008	Hefner et al.	
2008/0252114 A1 *	10/2008	Kim	B60N 2/767 297/216.15
2016/0221808 A1	8/2016	Babel et al.	
2021/0261029 A1 *	8/2021	Lee	B60N 2/22

FOREIGN PATENT DOCUMENTS

JP	0899800 A	4/1996
JP	08113484 A	5/1996
JP	11208385 A	8/1999
JP	2003168346 A	6/2003
JP	2004308132 A	11/2004
JP	2006006721 A	1/2006
JP	2006350584 A	12/2006
JP	4254694 B2	4/2009

JP	2009181423 A	8/2009
JP	2011004992 A	1/2011
JP	2015116197 A	6/2015
JP	2015189413 A	11/2015
JP	2016165335 A	9/2016
KR	20060074033 A	7/2006
KR	10101515564 B1	4/2015
WO	8603167 A1	6/1986
WO	92014232 A1	8/1992

OTHER PUBLICATIONS

Notice of Preliminary Rejection dated Sep. 11, 2019; Korean Design Application No. 30-2019-0009484 M001; Korean Intellectual Property Office.

Notice of Preliminary Rejection dated Sep. 23, 2019; Korean Design Application No. 30-2019-0009484 M002; Korean Intellectual Property Office.

Examination Report dated Jan. 23, 2020; Canadian Design Application No. 185855; Canadian Intellectual Property Office.

Notification of Decision to Grant Patent Right for Design dated Apr. 9, 2020; Chinese Design Application No. 201930077056; China National Intellectual Property Administration.

Decision to Grant a Design Registration dated Jan. 2, 2020; Korean Design Application No. 30-2019-0009484 M001; Korean Intellectual Property Office.

Decision to Grant a Design Registration dated Jan. 2, 2020; Korean Design Application No. 30-2019-0009484 M002; Korean Intellectual Property Office.

Notice of Allowance dated Apr. 8, 2021; Mexican Design Application No. MX/f/2019/000669; Mexican Institute of Industrial Property.

Office Action dated Aug. 14, 2020; Mexican Design Application No. MX/f/2019/000669; Mexican Institute of Industrial Property.

Benjamin M. Weeks; Notice of Allowance; U.S. Appl. No. 29/662,647; dated Nov. 1, 2021; United States Patent and Trademark Office; Alexandria, VA.

* cited by examiner

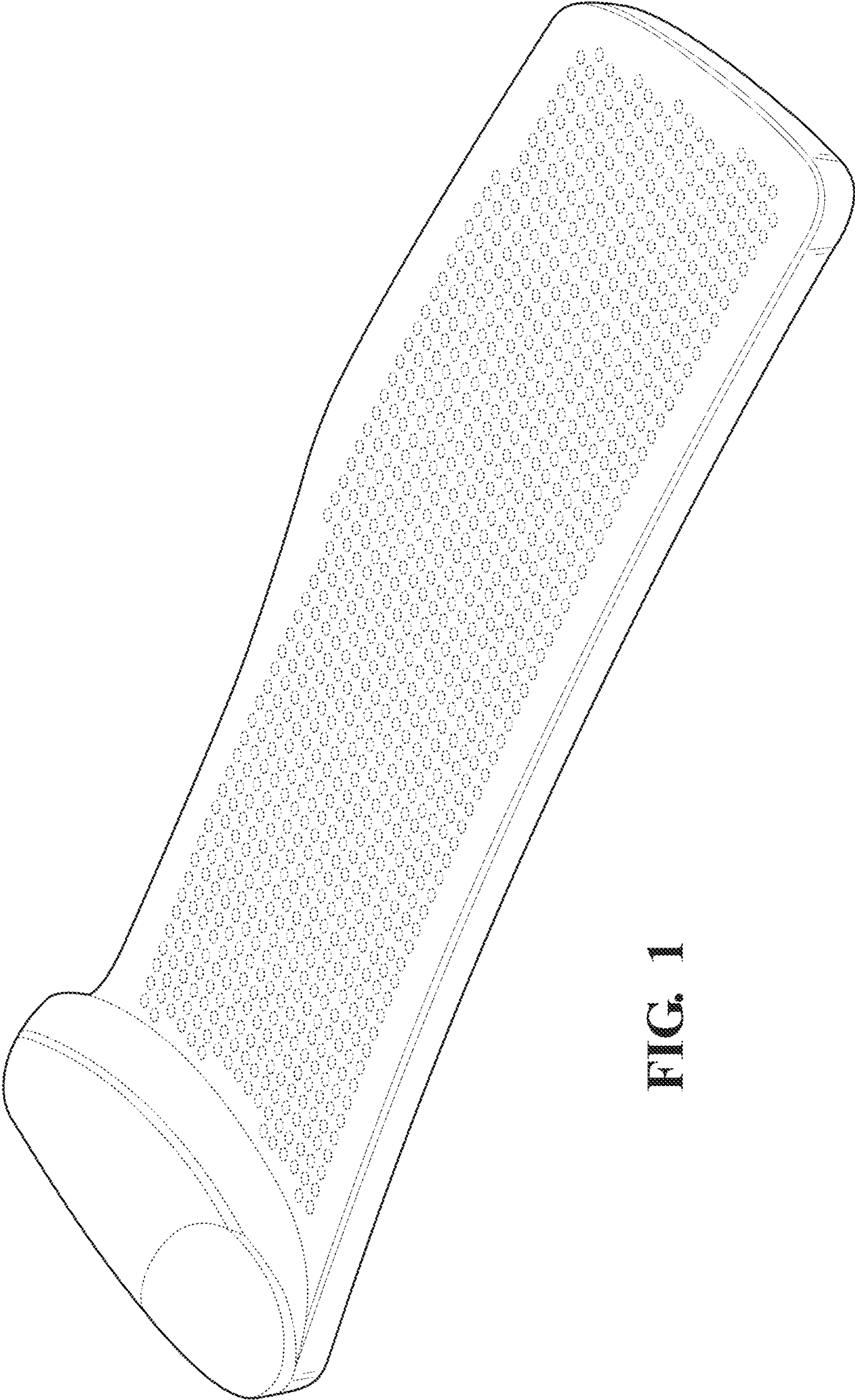


FIG. 1

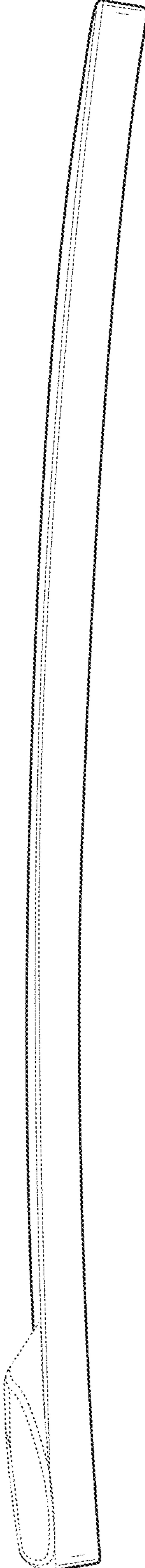


FIG. 2

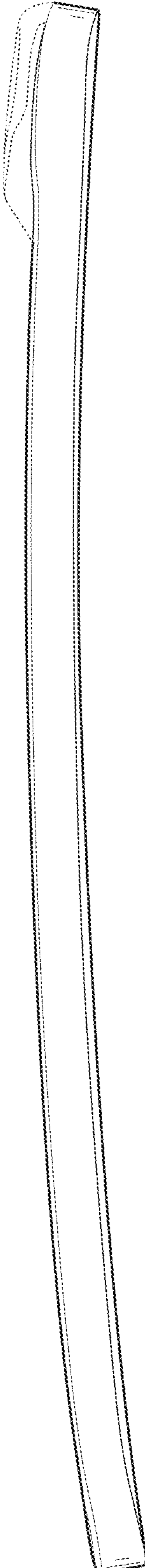


FIG. 3

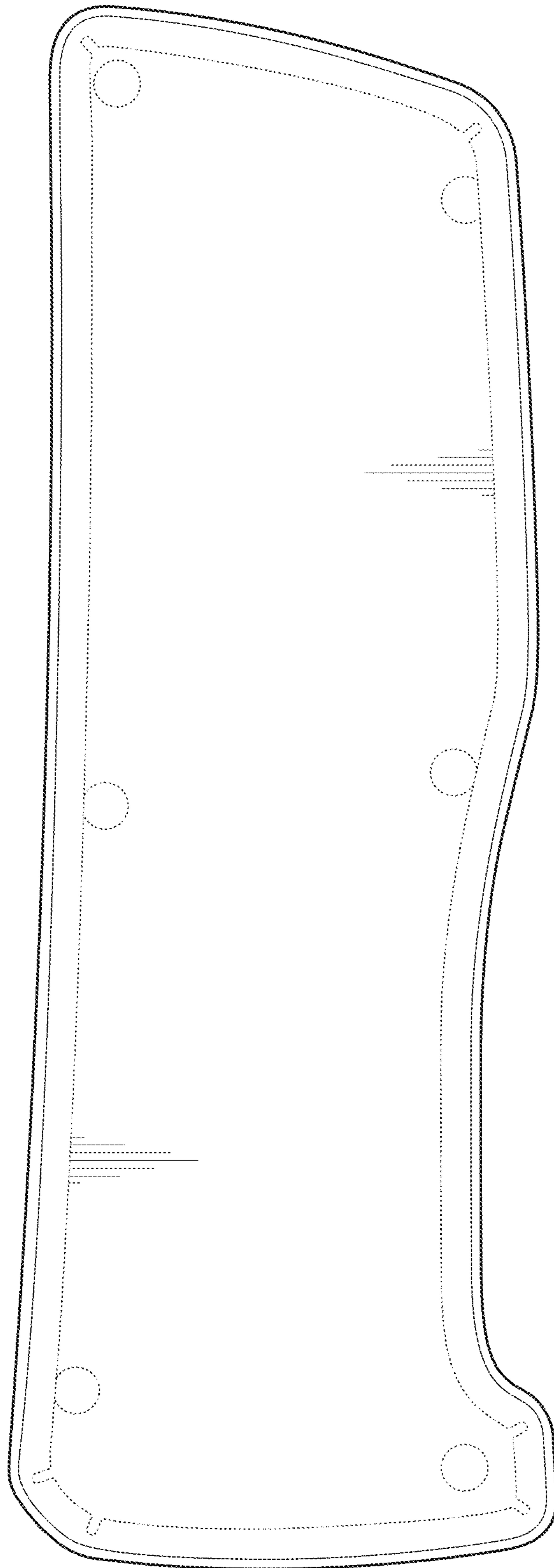


FIG. 4

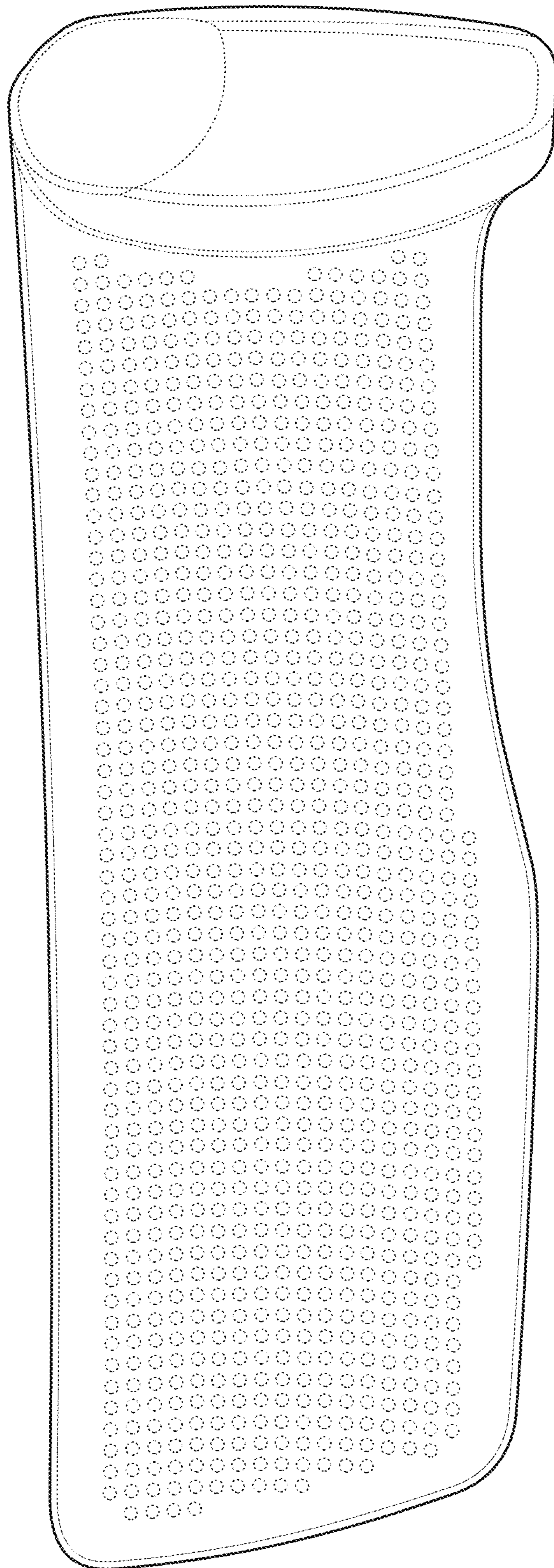


FIG. 5

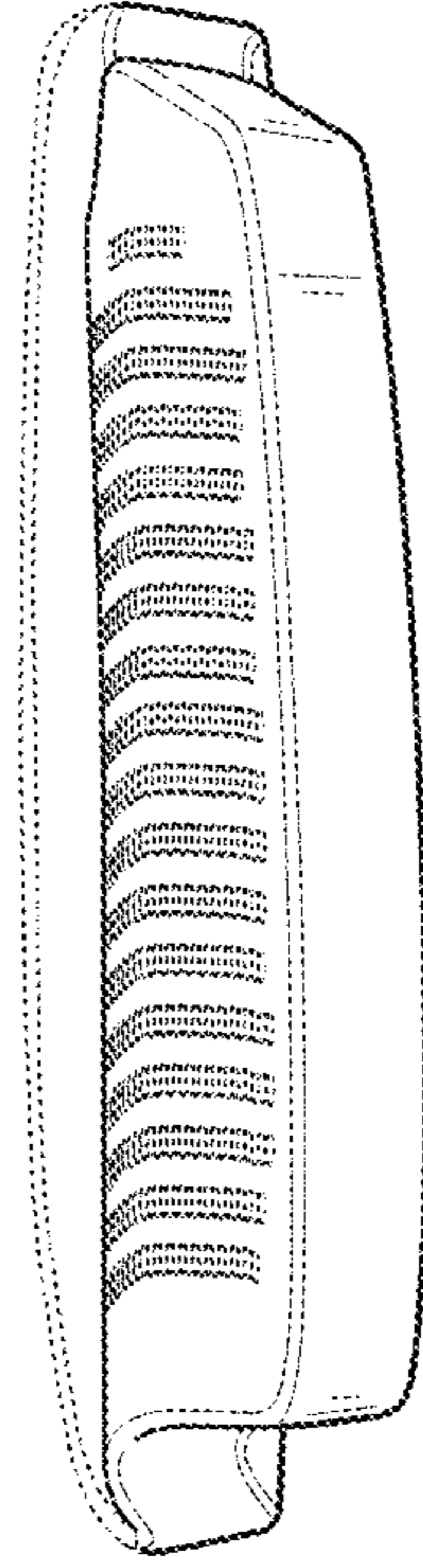


FIG. 7

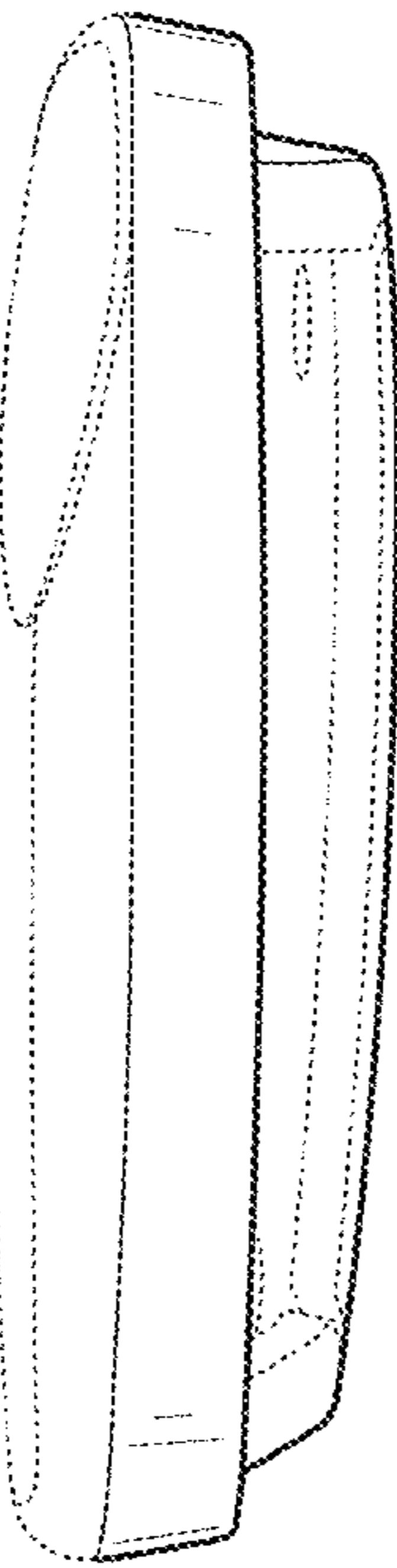


FIG. 6