



US00D944866S

(12) **United States Design Patent**
Hoyt

(10) **Patent No.:** **US D944,866 S**
(45) **Date of Patent:** **** Mar. 1, 2022**

- (54) **MOWER BLADE REMOVAL TOOL**
- (71) Applicant: **Randal L. Hoyt**, Vandalia, MO (US)
- (72) Inventor: **Randal L. Hoyt**, Vandalia, MO (US)
- (73) Assignee: **Bladz-Lok, LLC**, Vandalia, MO (US)
- (**) Term: **15 Years**
- (21) Appl. No.: **29/756,784**
- (22) Filed: **Oct. 30, 2020**
- (51) **LOC (13) Cl.** **15-03**
- (52) **U.S. Cl.**
USPC **D15/17**
- (58) **Field of Classification Search**
USPC D15/17, 11, 21
CPC A01D 34/001; A01D 34/828; A01D 34/00;
A01D 34/82; A01D 2101/00; B25B 1/20;
B25B 33/00
See application file for complete search history.

- 8,302,274 B1 * 11/2012 Depaz A01D 34/733
29/268
- 9,339,916 B2 * 5/2016 Markwardt F16C 3/02
- 9,743,580 B2 * 8/2017 Mitchell A01D 34/001
- 9,752,348 B2 * 9/2017 Leach E05B 1/0053
- 10,238,027 B2 * 3/2019 Handley B25B 9/00
- 2001/0035077 A1 * 11/2001 Adams B25B 13/04
81/180.1
- 2001/0035080 A1 * 11/2001 Adams B25B 23/0078
81/488
- 2018/0065218 A1 * 3/2018 White B25B 23/0085
- 2020/0316761 A1 * 10/2020 Hoyt B25B 33/00

* cited by examiner

Primary Examiner — Mark A Goodwin

(74) *Attorney, Agent, or Firm* — McHale & Slavin, P.A.

(57) **CLAIM**

The ornamental design for mower blade removal tool, as shown and described.

DESCRIPTION

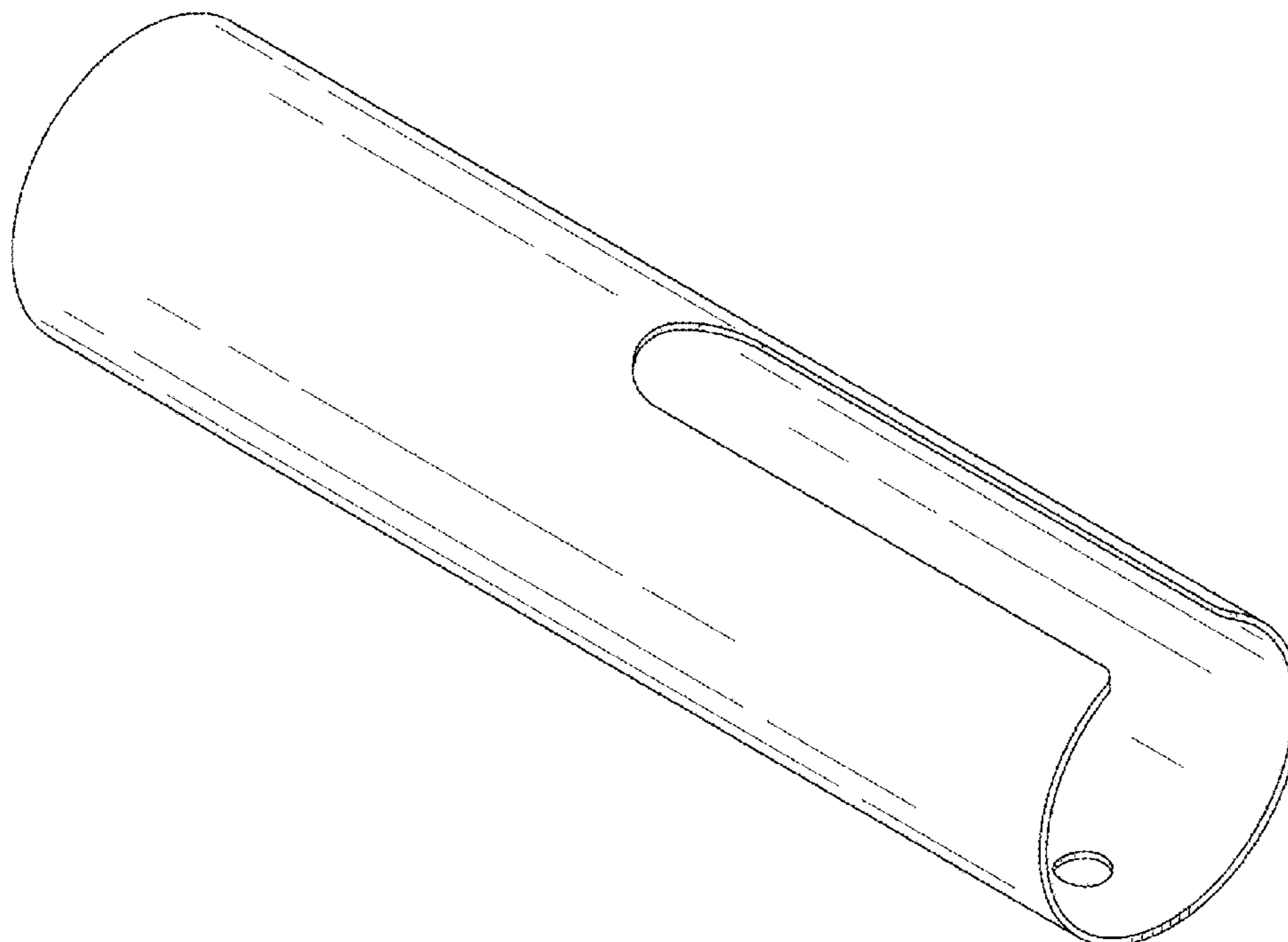
FIG. 1 is a top front right perspective view of the mower blade removal tool of the present invention;
 FIG. 2 is a bottom front right perspective view thereof;
 FIG. 3 is a top view thereof;
 FIG. 4 is a bottom view thereof;
 FIG. 5 is a right end view thereof;
 FIG. 6 is a left end view thereof;
 FIG. 7 is a rear view thereof;
 FIG. 8 is a front view thereof; and,
 FIG. 9 is a bottom view of a mower deck illustrating the mower blade removal tool in use.
 The portions of the figures illustrated in broken line form no part of the claimed design for the mower blade removal tool.

1 Claim, 6 Drawing Sheets

(56) **References Cited**

U.S. PATENT DOCUMENTS

- 4,564,991 A * 1/1986 Taylor A01D 34/001
254/131
- 4,956,905 A * 9/1990 Davidson A01D 34/001
29/213.1
- 5,865,018 A * 2/1999 Wanie B25B 27/00
56/17.4
- 6,272,724 B1 * 8/2001 Sterling A01D 34/001
29/281.1
- D478,336 S * 8/2003 Woodruff D15/27
- D521,531 S * 5/2006 Provines D15/28
- 8,209,837 B1 * 7/2012 Henshaw B25B 27/00
29/283



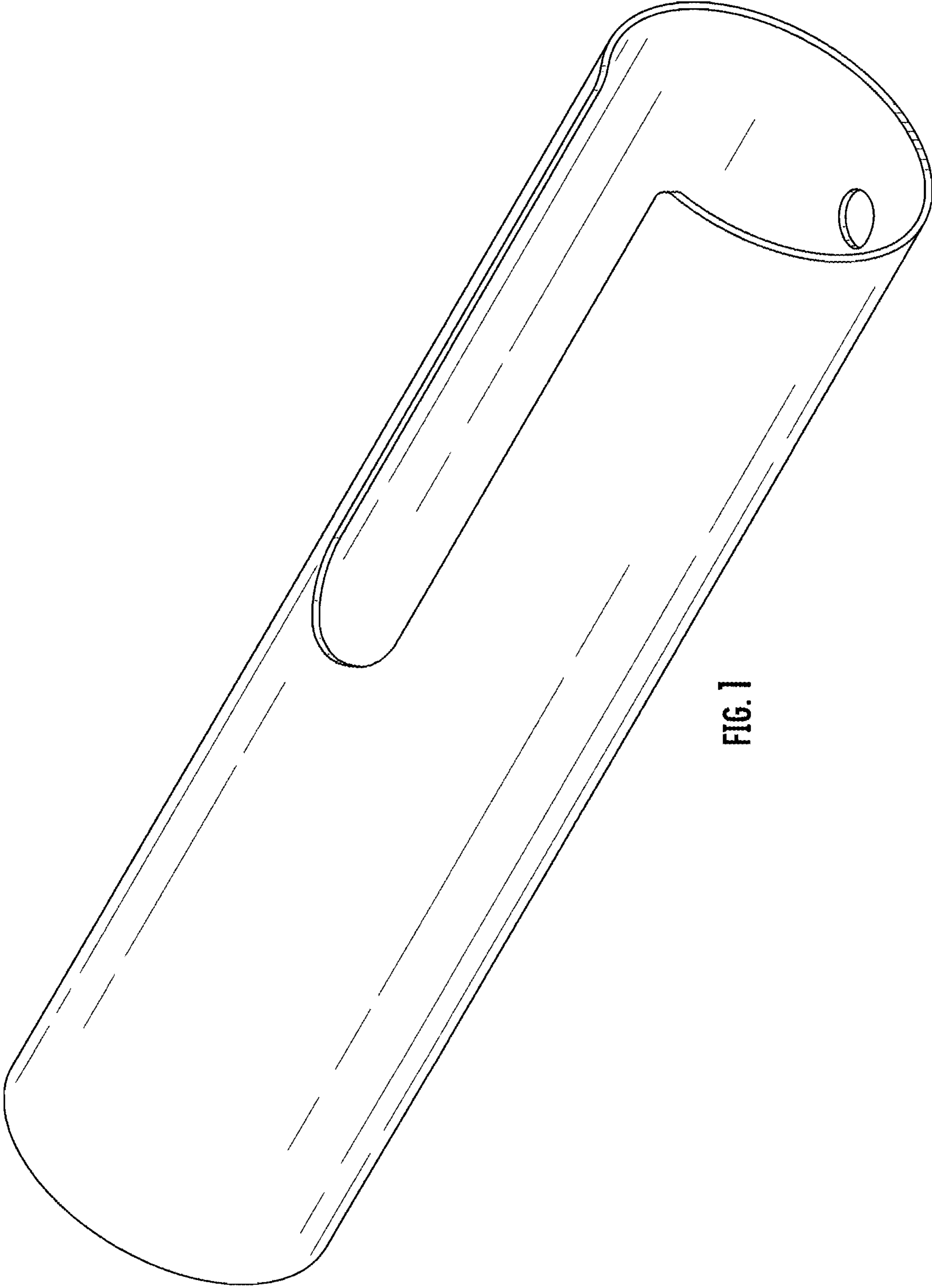


FIG. 1

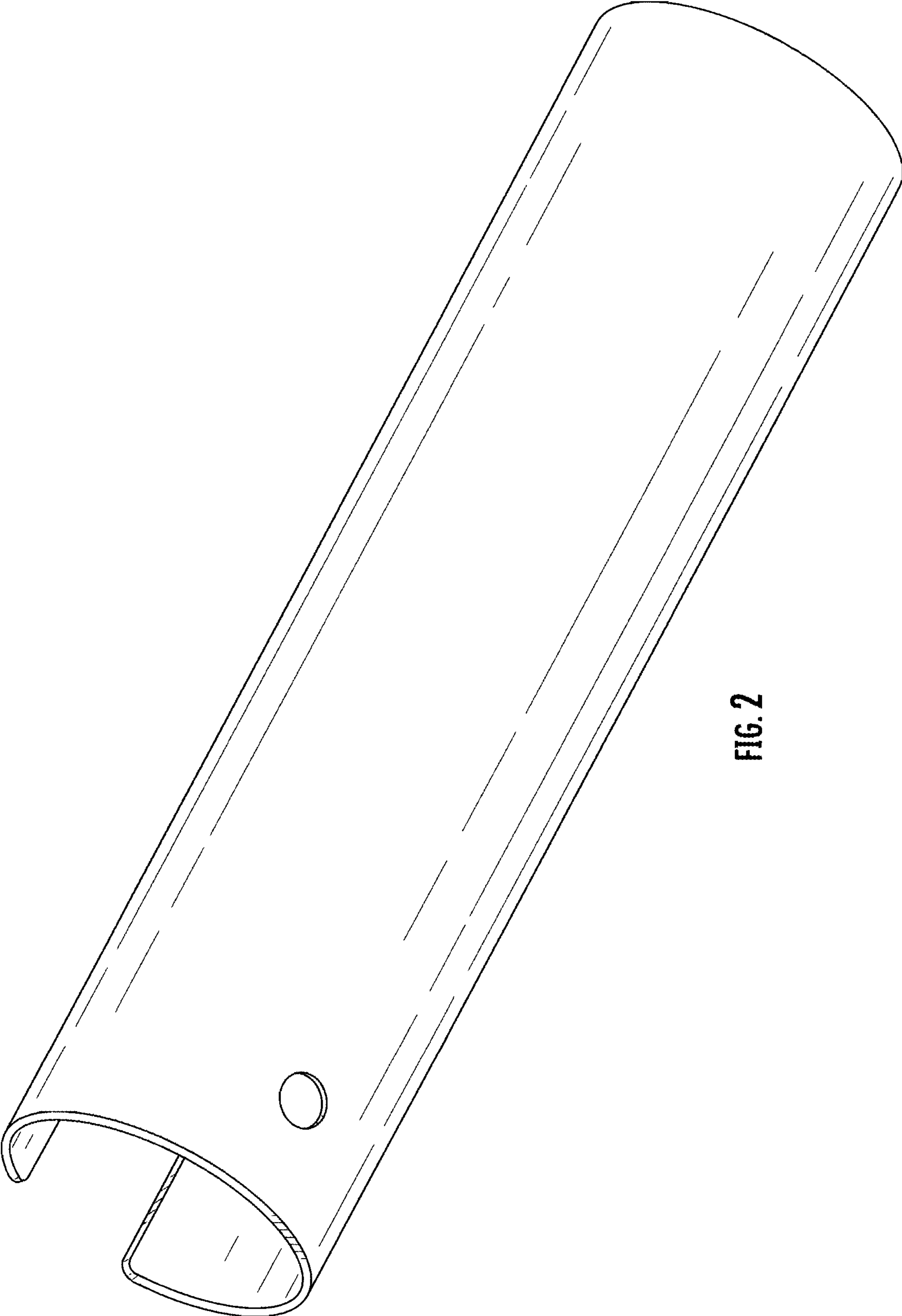


FIG. 2

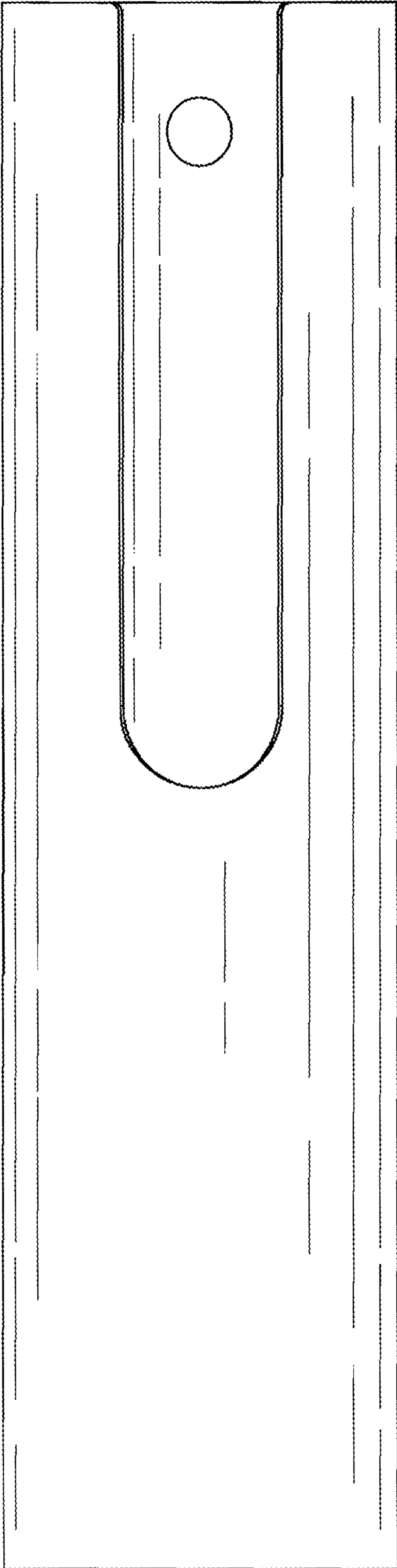


FIG. 3

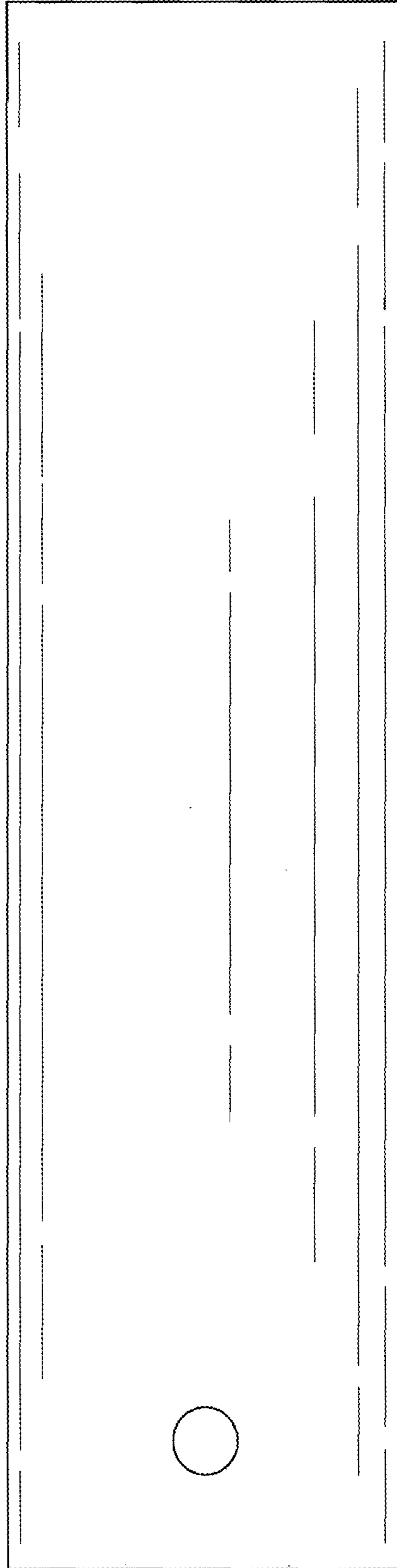


FIG. 4

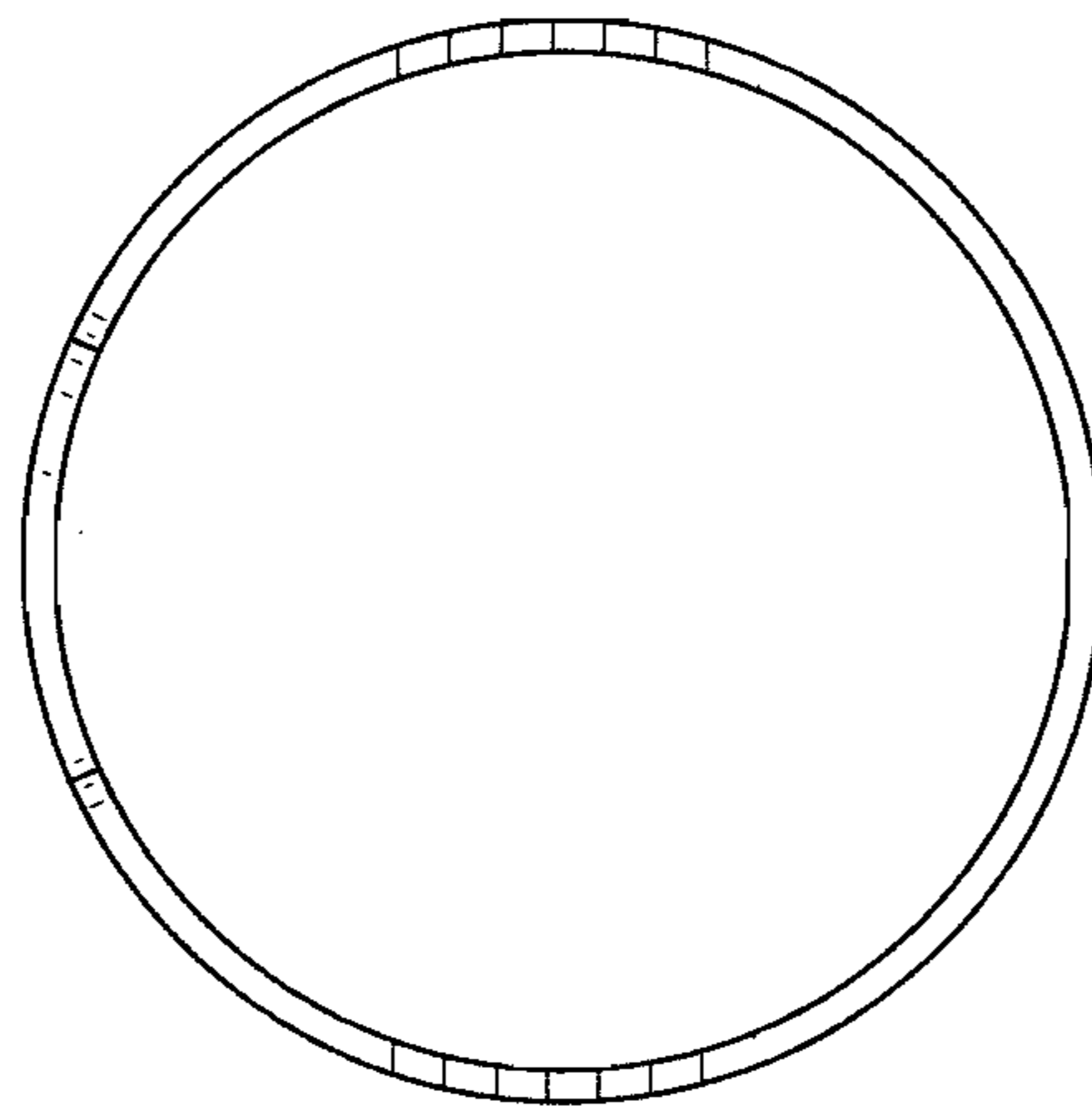


FIG. 5

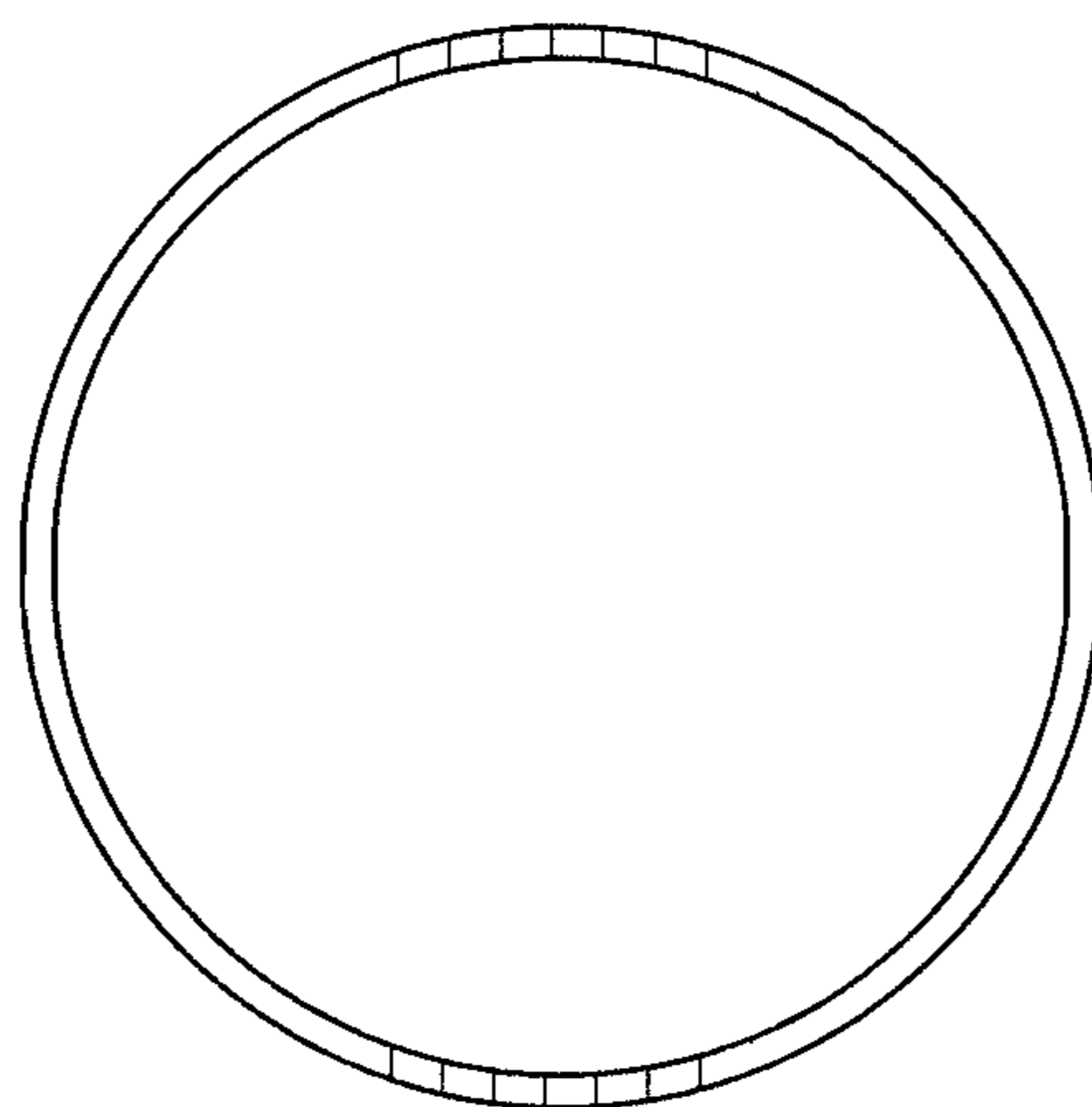


FIG. 6

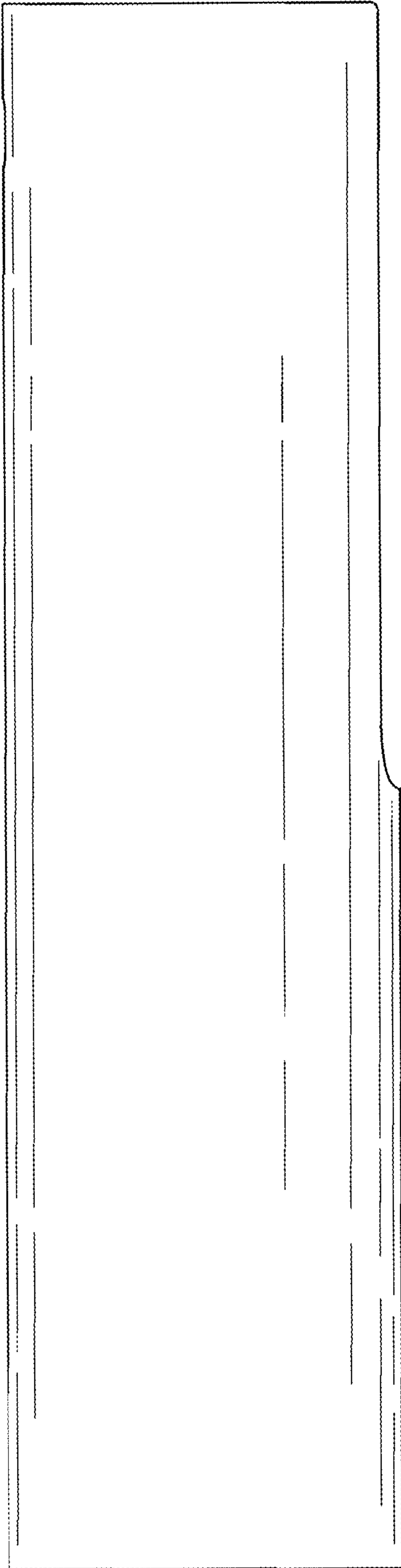


FIG. 7

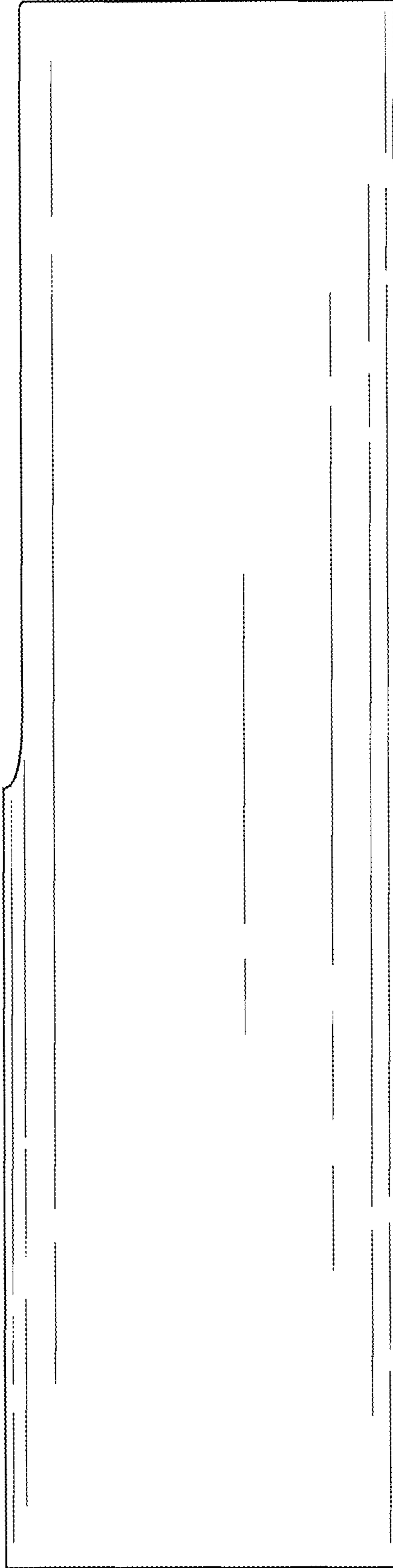


FIG. 8

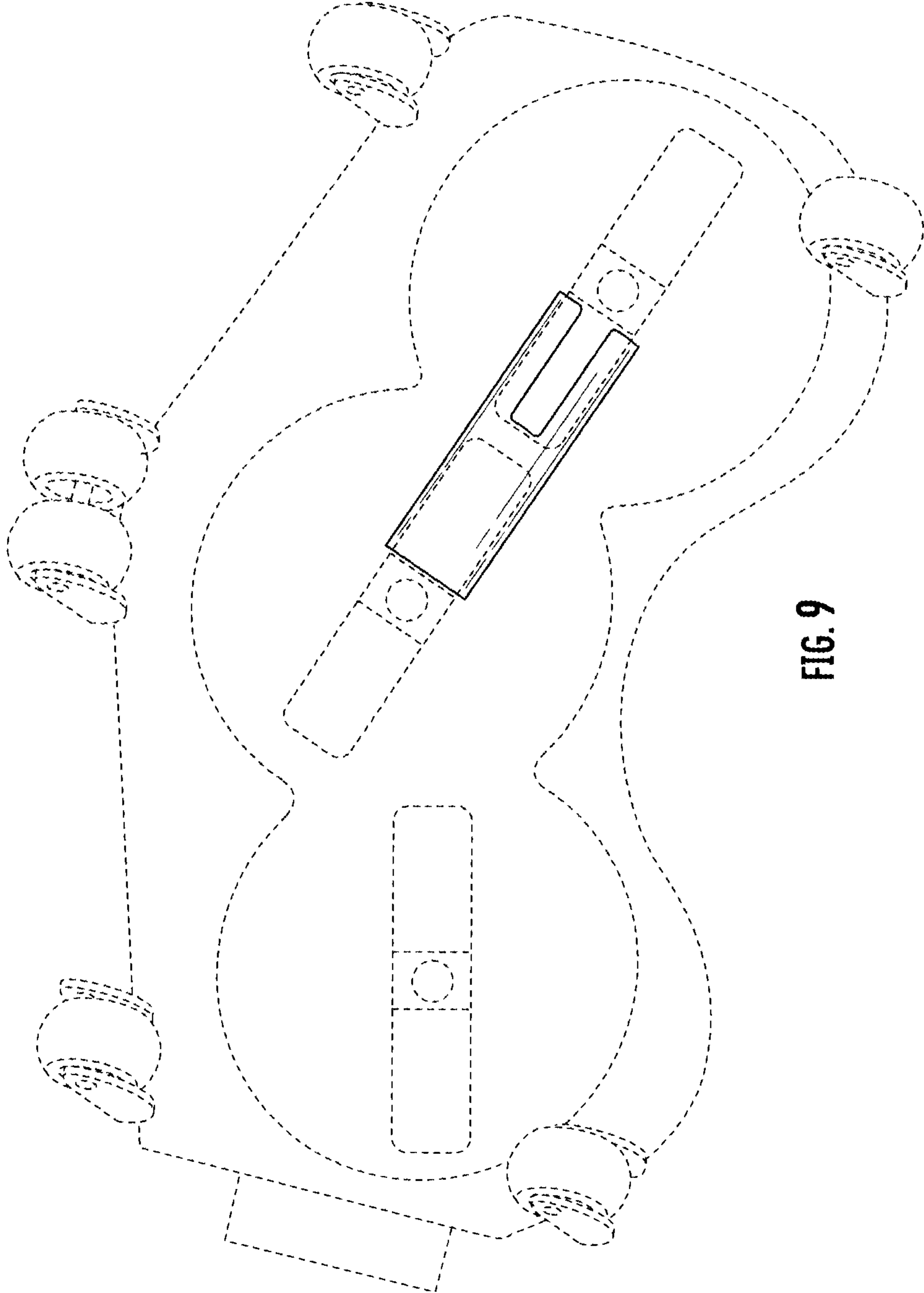


FIG. 9