



US00D944864S

(12) **United States Design Patent**
Montipò

(10) **Patent No.:** **US D944,864 S**

(45) **Date of Patent:** **** Mar. 1, 2022**

(54) **PISTON PUMP**

(71) Applicant: **INTERPUMP GROUP S.P.A.**,
Sant'Ilario d'Enza (IT)

(72) Inventor: **Fulvio Montipò**, Reggio Emilia (IT)

(73) Assignee: **INTERPUMP GROUP S.P.A.**,
Sant'Ilario d'Enza (IT)

(**) Term: **15 Years**

(21) Appl. No.: **29/715,332**

(22) Filed: **Dec. 2, 2019**

(30) **Foreign Application Priority Data**

Jun. 3, 2019 (EM) 006562583

(51) **LOC (13) Cl.** **15-02**

(52) **U.S. Cl.**
USPC **D15/7**

(58) **Field of Classification Search**
USPC D15/7, 8, 5

CPC F04B 47/00; F04B 53/16; F04B 15/02;
F04B 53/92; F04B 1/005; F02M 37/04;
F02M 37/14; F04D 13/06; F04D 29/22;
F04D 29/046; F04D 29/2266

See application file for complete search history.

(56) **References Cited**

U.S. PATENT DOCUMENTS

D613,765 S * 4/2010 Reverberi D15/5
D613,766 S * 4/2010 Reverberi D15/5

D633,101 S * 2/2011 Magri D15/7
D633,102 S * 2/2011 Magri D15/7
D633,103 S * 2/2011 Magri D15/7
D633,104 S * 2/2011 Magri D15/7
D633,105 S * 2/2011 Magri D15/7
D702,262 S * 4/2014 Magri D15/9
2018/0274535 A1 * 9/2018 Jaramillo F04B 17/06

* cited by examiner

Primary Examiner — Ania Aman

(74) *Attorney, Agent, or Firm* — Volpe Koenig

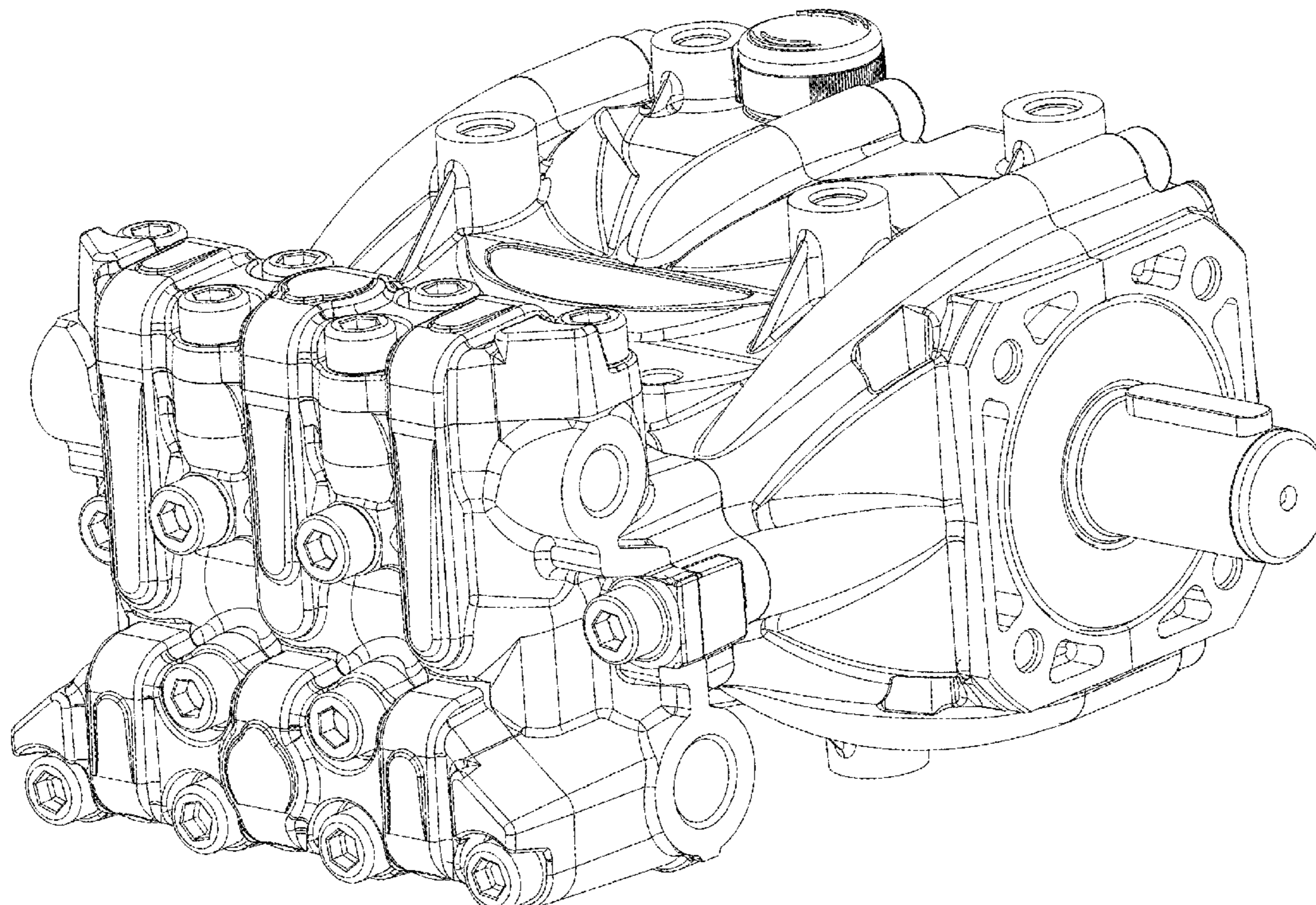
(57) **CLAIM**

The ornamental design for piston pump, as shown and described.

DESCRIPTION

FIG. 1 is a left side view of the piston pump of my design; FIG. 2 is a front view thereof; FIG. 3 is a right side view thereof; FIG. 4 is a rear view thereof; FIG. 5 is a top view thereof; FIG. 6 is a bottom view thereof; FIG. 7 is a front-left perspective view thereof; FIG. 8 is a rear-left perspective view thereof; FIG. 9 is a rear-right perspective view thereof; and, FIG. 10 is a front-right perspective view thereof. In the drawings, the broken lines depict unclaimed subject matter only and form no part of the claimed design.

1 Claim, 10 Drawing Sheets



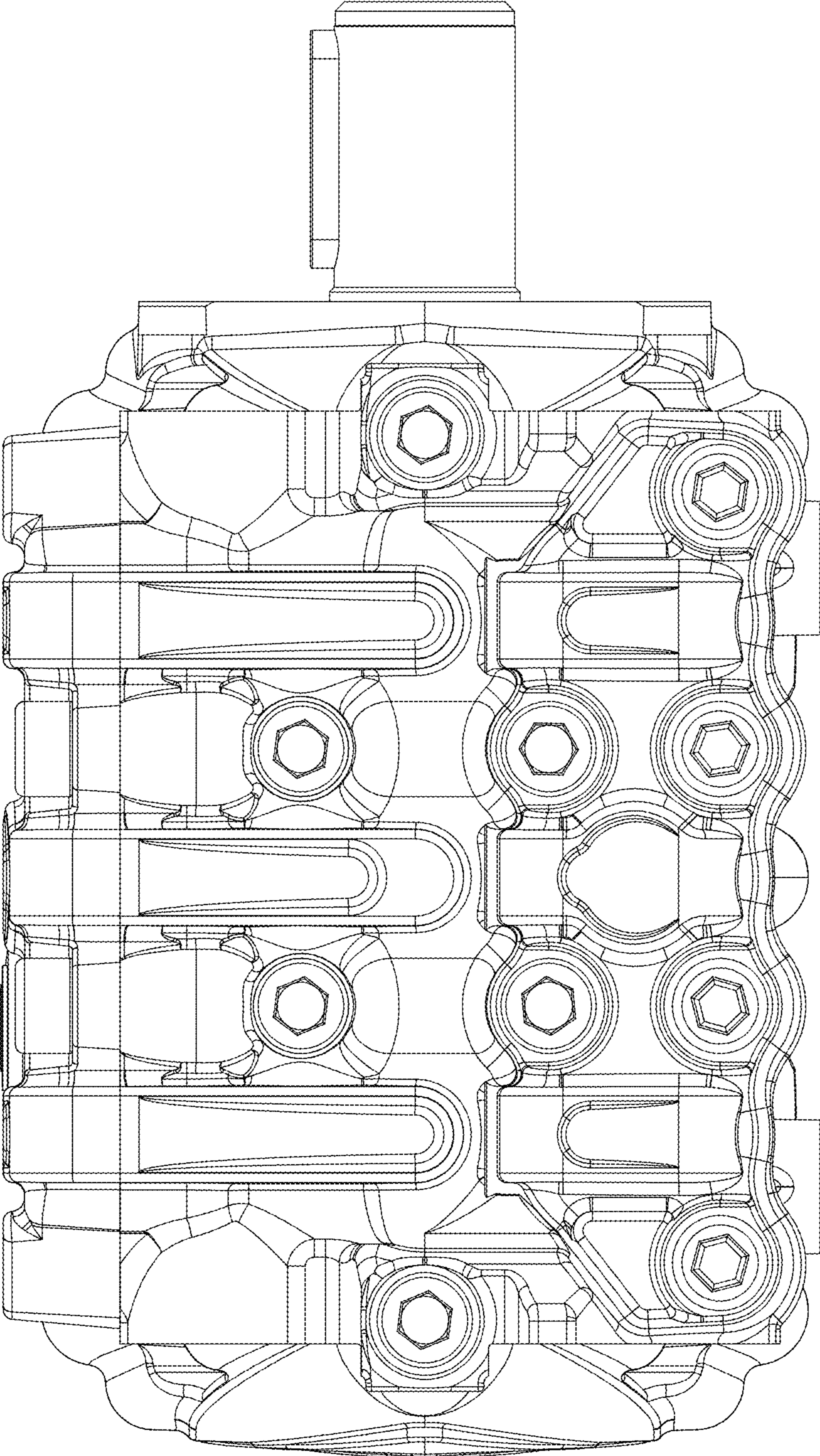


FIG. 1

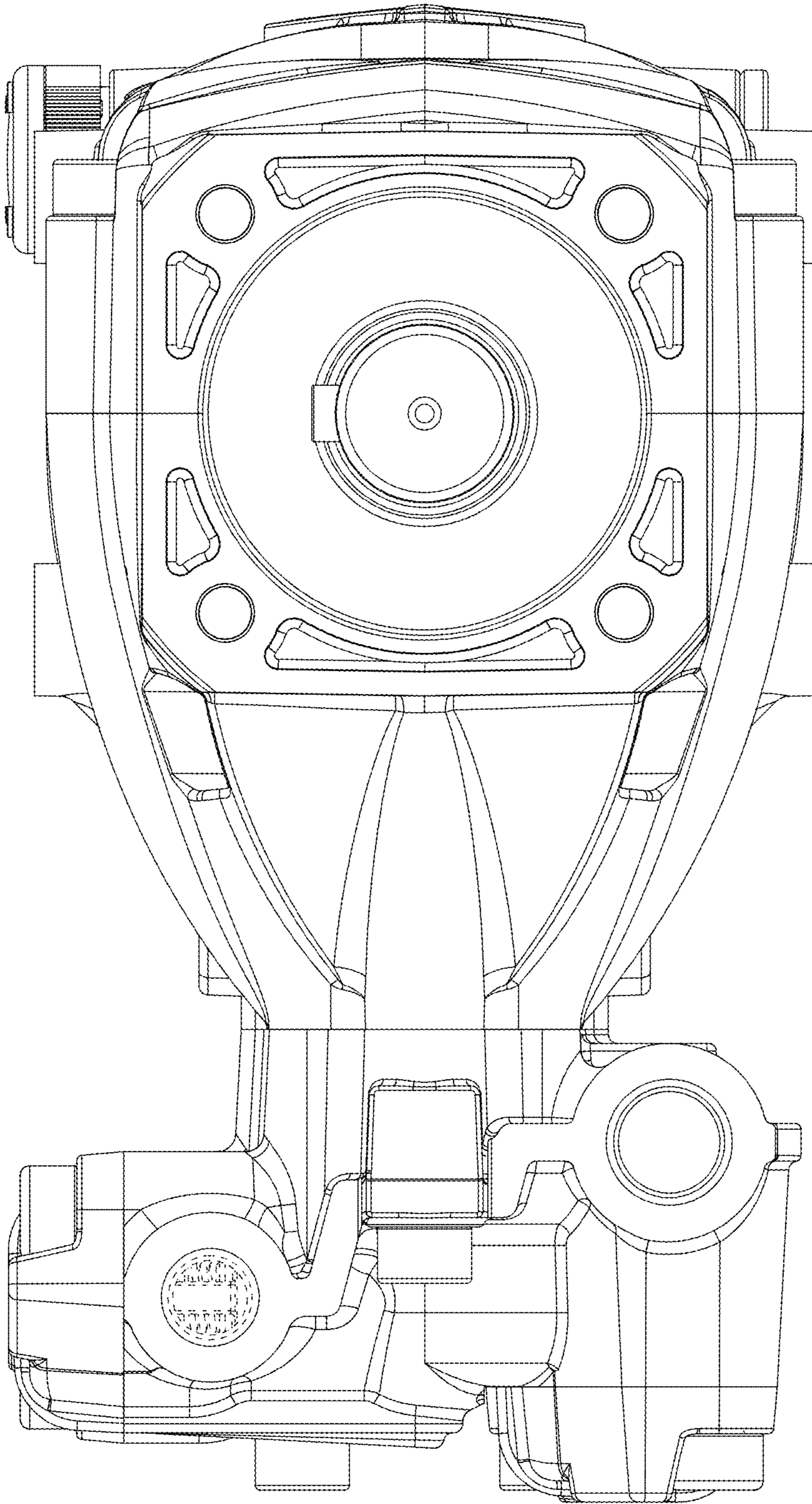


FIG. 2

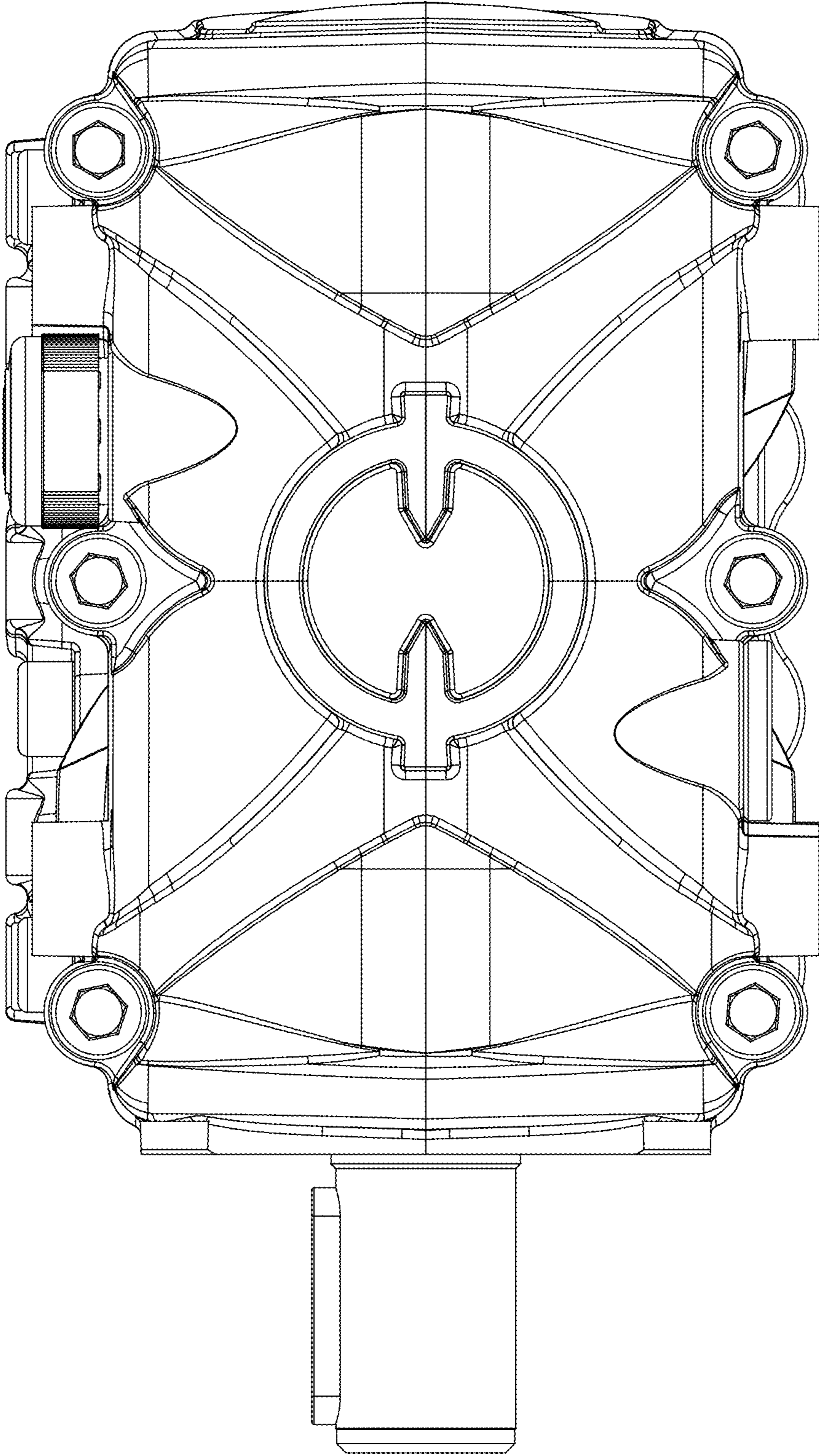


FIG. 3

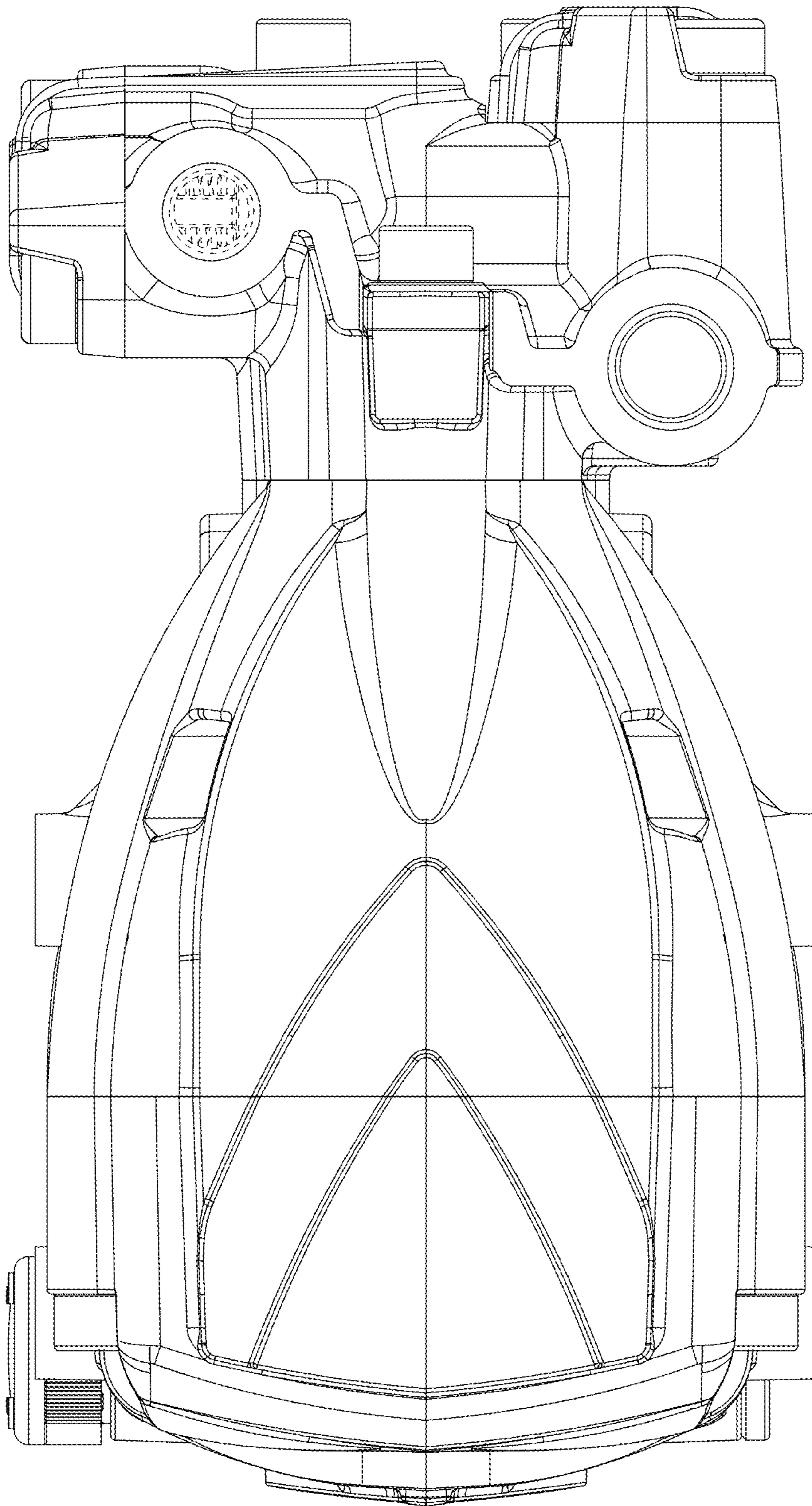


FIG. 4

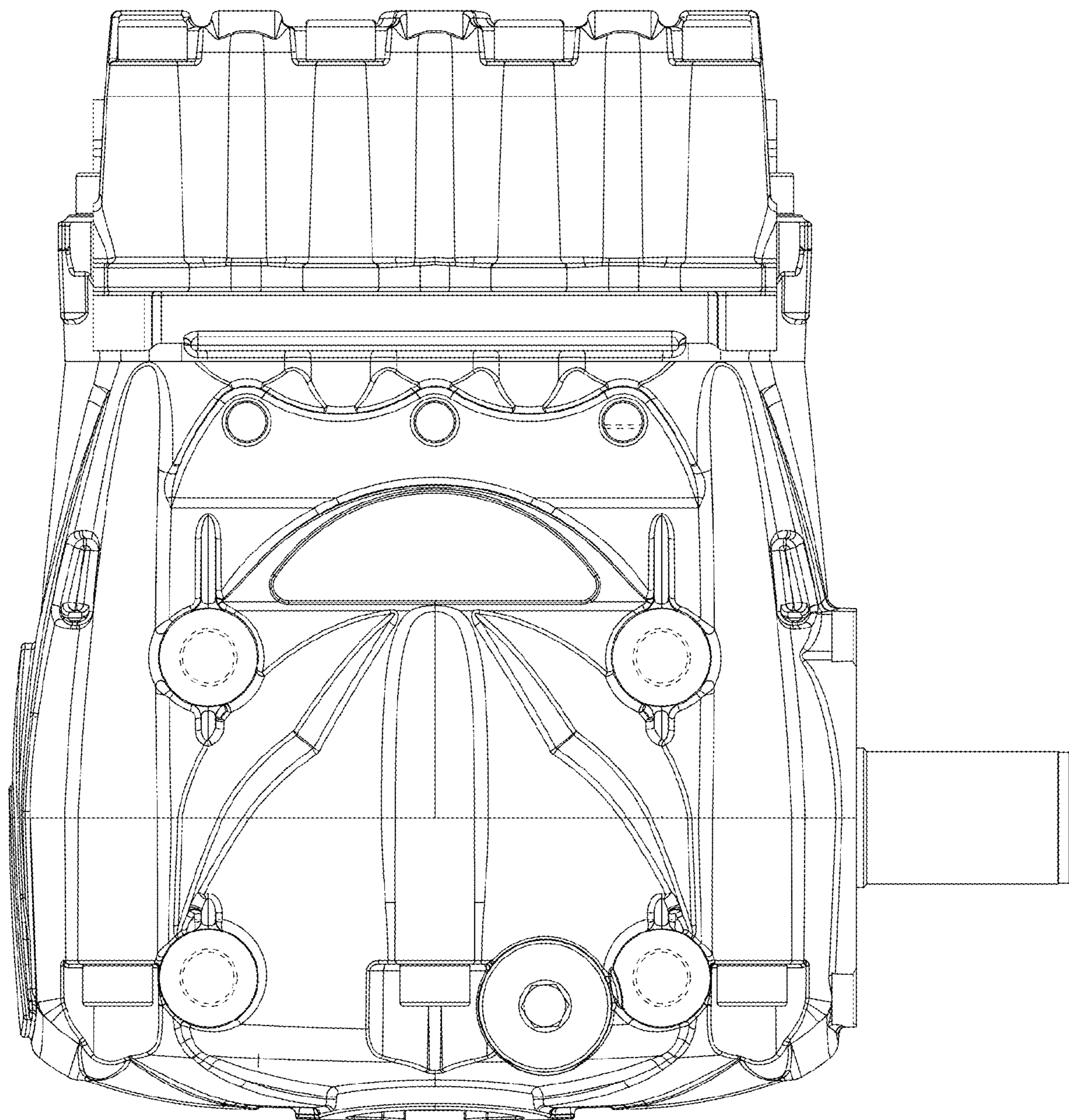


FIG. 5

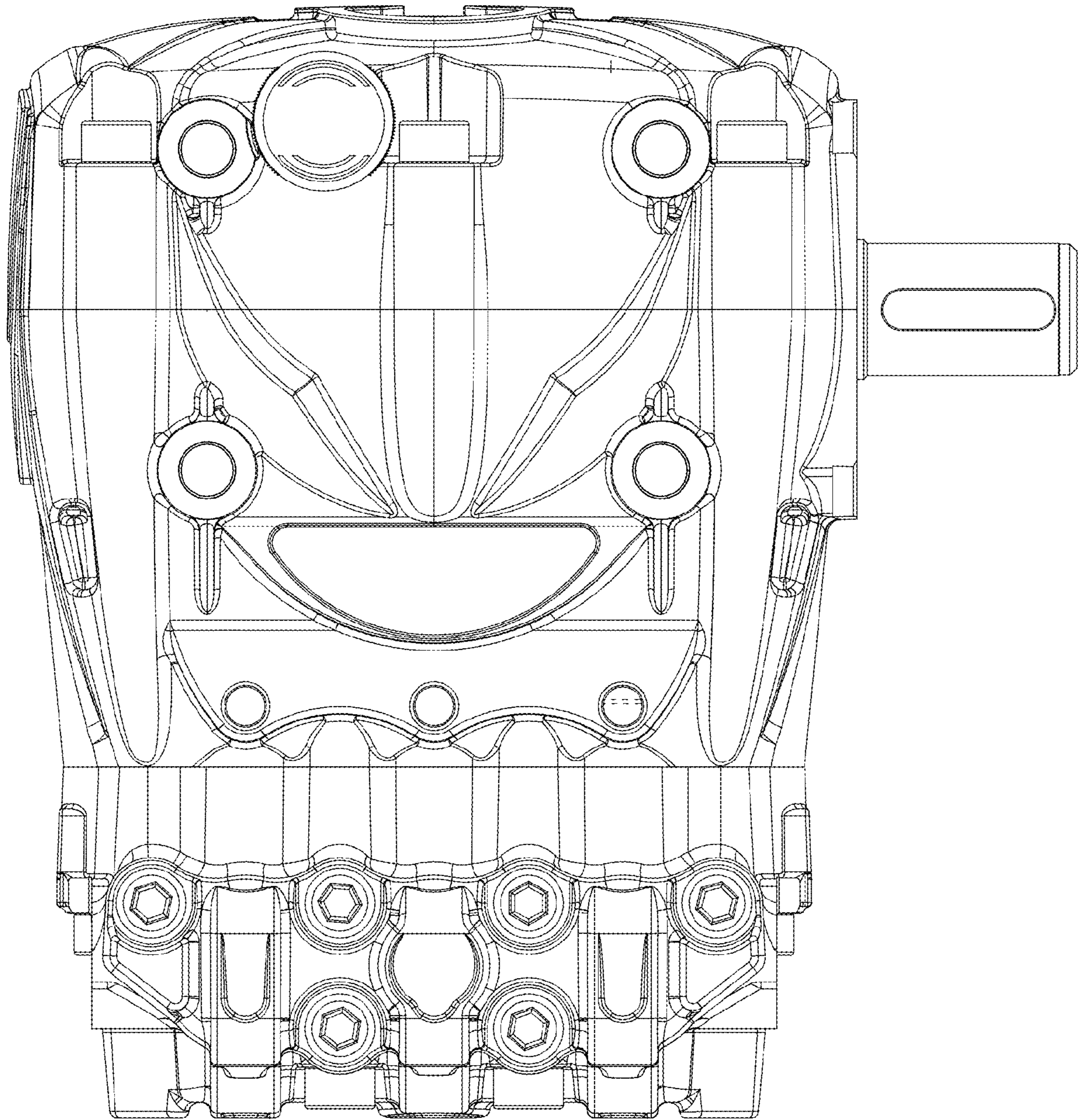


FIG. 6

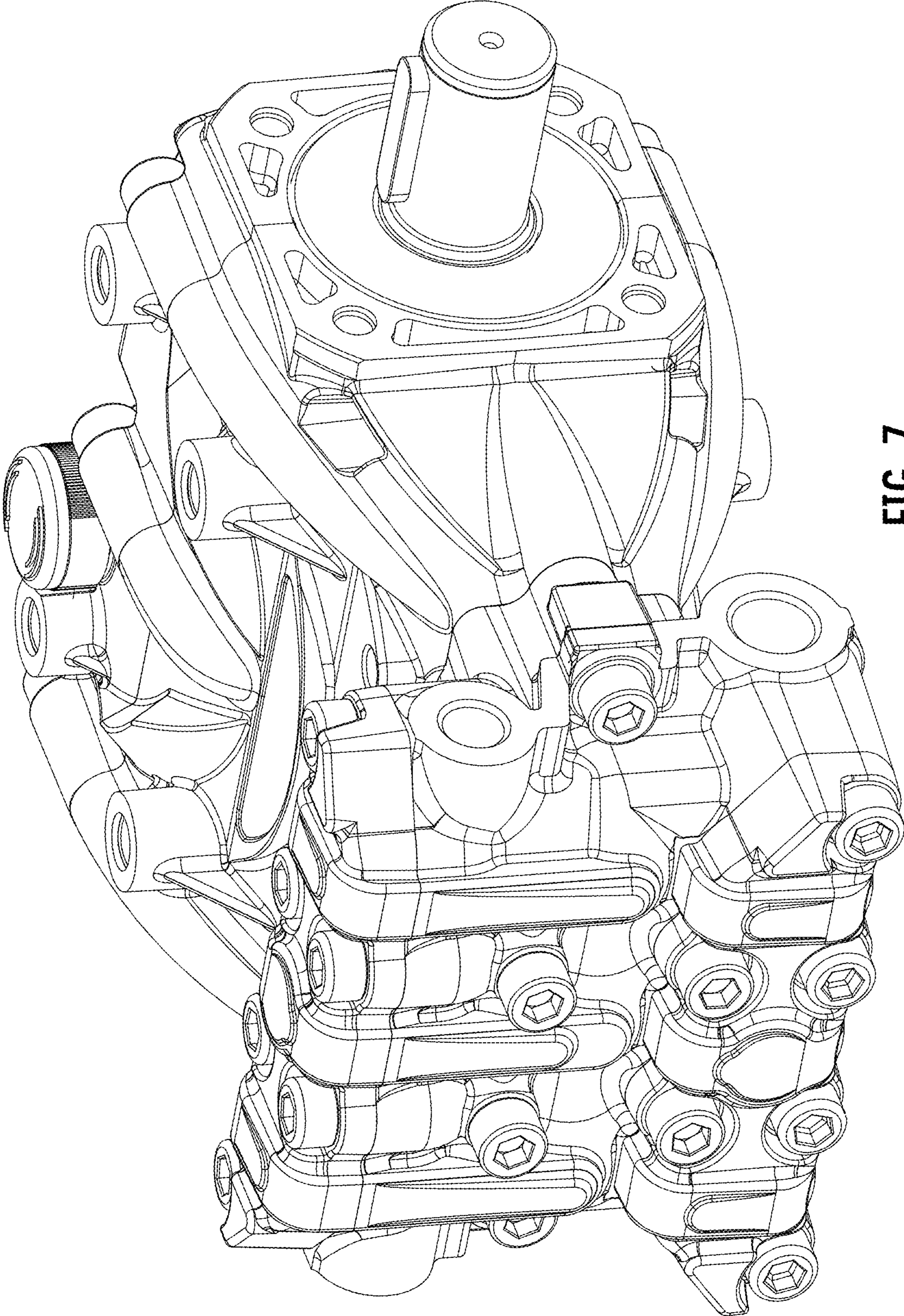


FIG. 7

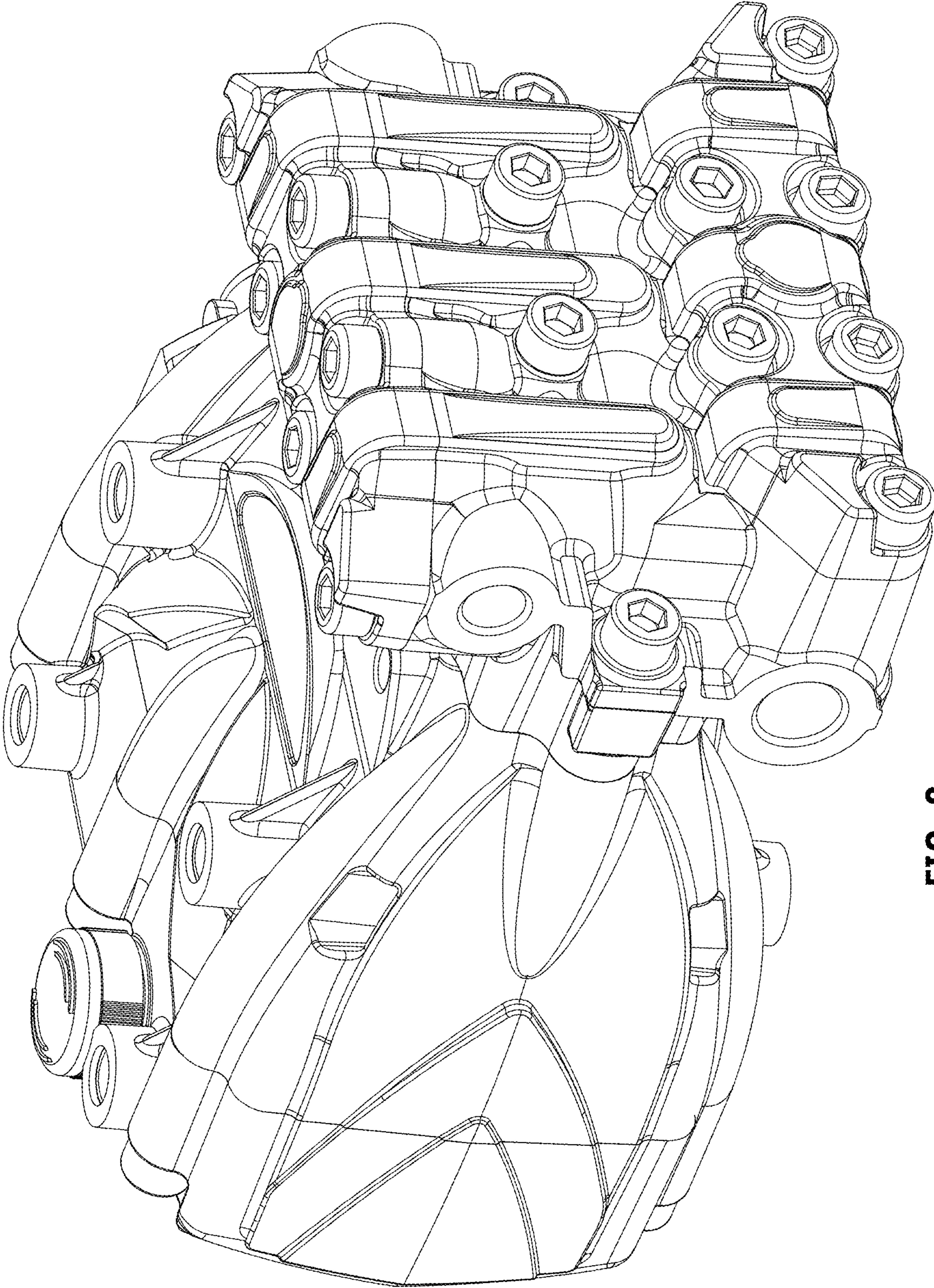


FIG. 8

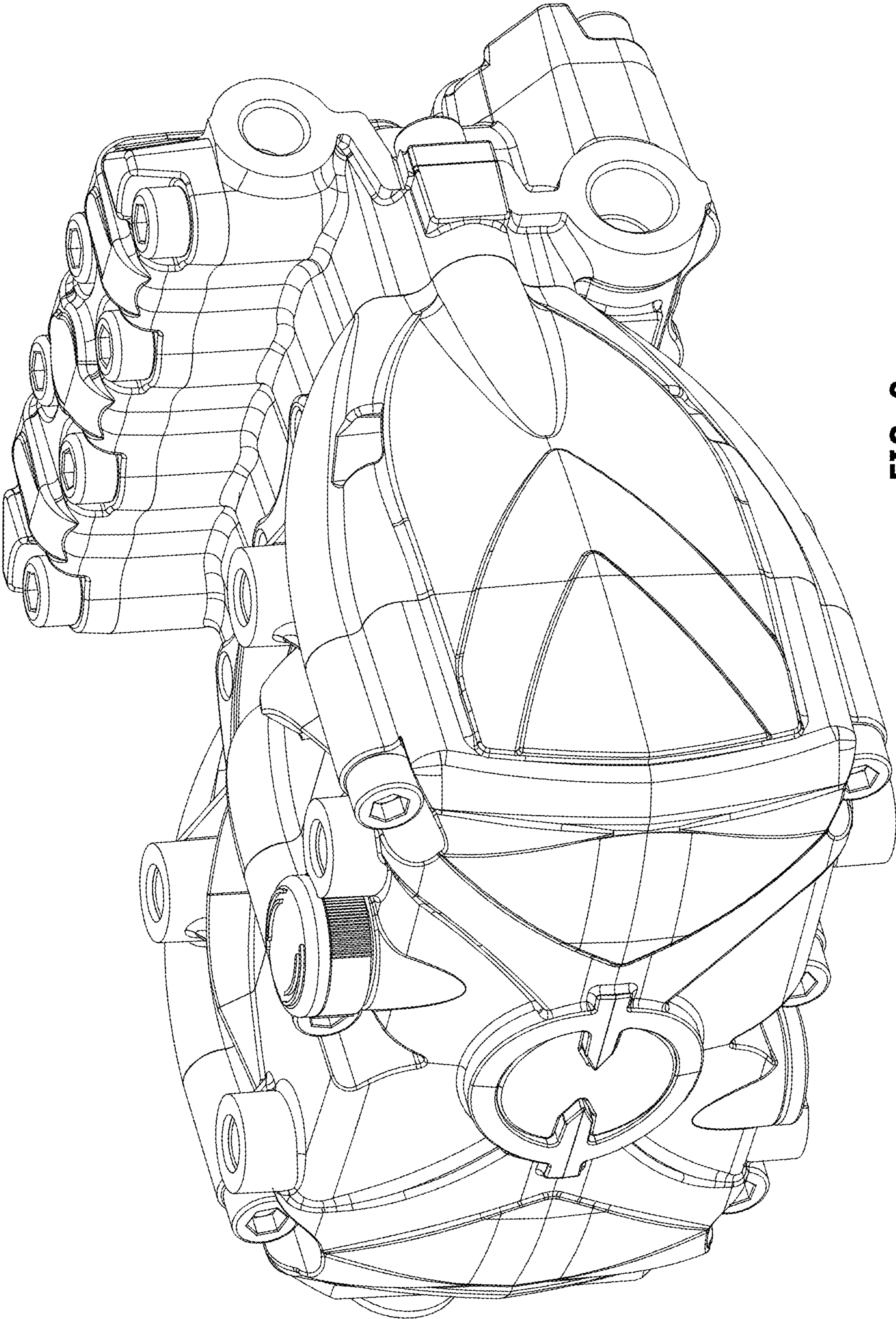


FIG. 9

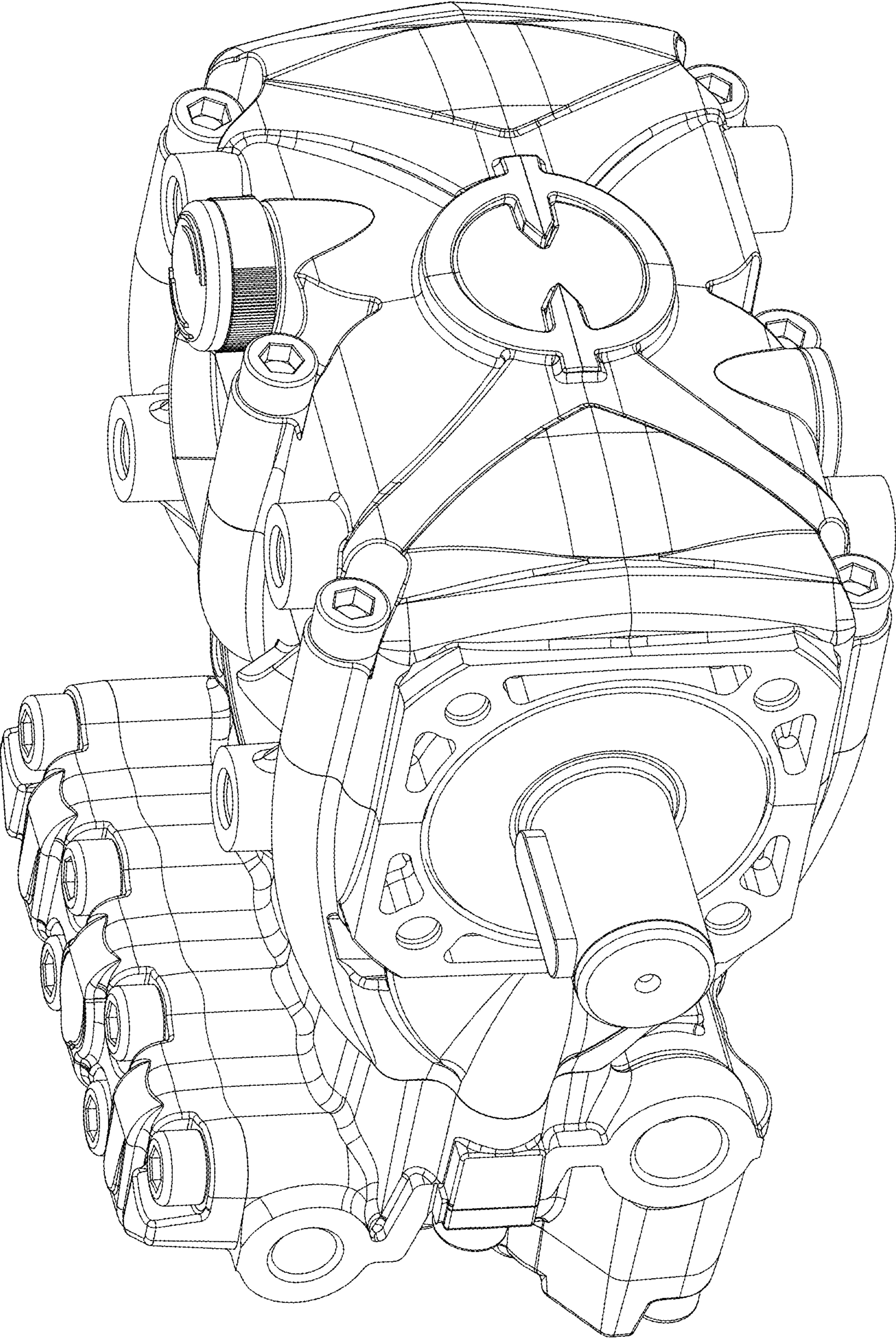


FIG. 10