



US00D944863S

(12) **United States Design Patent**  
**Jacob**

(10) **Patent No.:** **US D944,863 S**

(45) **Date of Patent:** **\*\* Mar. 1, 2022**

|  |                  |         |                  |                           |
|--|------------------|---------|------------------|---------------------------|
| (54) <b>VALVE FOR ENGINE</b>   | 2005/0193973 A1* | 9/2005  | Hendriksma ..... | F01L 1/2405<br>123/90.55  |
| (71) Applicant: <b>INNIO Jenbacher GmbH &amp; Co OG,</b><br>Jenbach (AT) | 2006/0137638 A1* | 6/2006  | Hofmann .....    | F01L 1/2405<br>123/90.43  |
| (72) Inventor: <b>Raphael Jacob,</b> Pfaffenhofen (DE)                   | 2010/0019186 A1  | 1/2010  | Keller et al.    |                           |
| (73) Assignee: <b>Innio Jenbacher GmbH &amp; Co OG,</b><br>Jenbach (AT)  | 2010/0037845 A1* | 2/2010  | Sailer .....     | F01L 13/0005<br>123/90.55 |
| (**) Term: <b>15 Years</b>   | 2013/0025555 A1* | 1/2013  | Kretschmer ..... | F01L 1/185<br>123/90.33   |
| (21) Appl. No.: <b>29/744,723</b>  | 2015/0090070 A1* | 4/2015  | Trpcevski .....  | F01L 1/185<br>74/569      |
| (22) Filed: <b>Jul. 30, 2020</b>   | 2015/0369095 A1* | 12/2015 | Spoor .....      | F01L 13/0042<br>123/90.45 |
|  | 2016/0108766 A1* | 4/2016  | Zurface .....    | F01L 1/2405<br>73/114.79  |
|  | 2016/0319708 A1  | 11/2016 | Nielsen          |                           |
|  | 2018/0156078 A1  | 6/2018  | Roberts et al.   |                           |
|  | 2018/0171835 A1  | 6/2018  | Sakaguechi       |                           |
|  | 2018/0291771 A1  | 10/2018 | Roberts et al.   |                           |
|  | 2018/0363513 A1  | 12/2018 | Roberts et al.   |                           |

**Related U.S. Application Data**

(62) Division of application No. 29/565,459, filed on May 20, 2016, now Pat. No. Des. 896,842.

**Foreign Application Priority Data**

Nov. 23, 2015 (EM) ..... 002873349

(51) **LOC (13) Cl.** ..... **15-01**

(52) **U.S. Cl.**  
USPC ..... **D15/5**

(58) **Field of Classification Search**  
USPC ..... D15/1-6  
CPC ..... F01B 25/10; F02D 9/08; F02K 9/58  
See application file for complete search history.

**References Cited**

**U.S. PATENT DOCUMENTS**

6,047,675 A \* 4/2000 Kunz ..... F01L 1/143  
123/90.41

6,499,451 B1 \* 12/2002 Hendriksma ..... F01L 1/08  
123/90.16

D785,047 S 4/2017 Zurface  
2005/0028767 A1 2/2005 Liedtke et al.

\* cited by examiner

*Primary Examiner* — Ania Aman

(74) *Attorney, Agent, or Firm* — Fletcher Yoder, P.C.

(57) **CLAIM**

The ornamental design for valve for engine, as shown and described.

**DESCRIPTION**

FIG. 1 is a perspective view of the valve for engine showing my new design;

FIG. 2 is a top view thereof;

FIG. 3 is a front side view thereof;

FIG. 4 is a right side view thereof;

FIG. 5 is a rear side view thereof;

FIG. 6 is a left side view thereof; and,

FIG. 7 is a bottom view thereof.

The broken lines shown in the drawings define the bounds of the claimed design and form no part thereof.

**1 Claim, 7 Drawing Sheets**

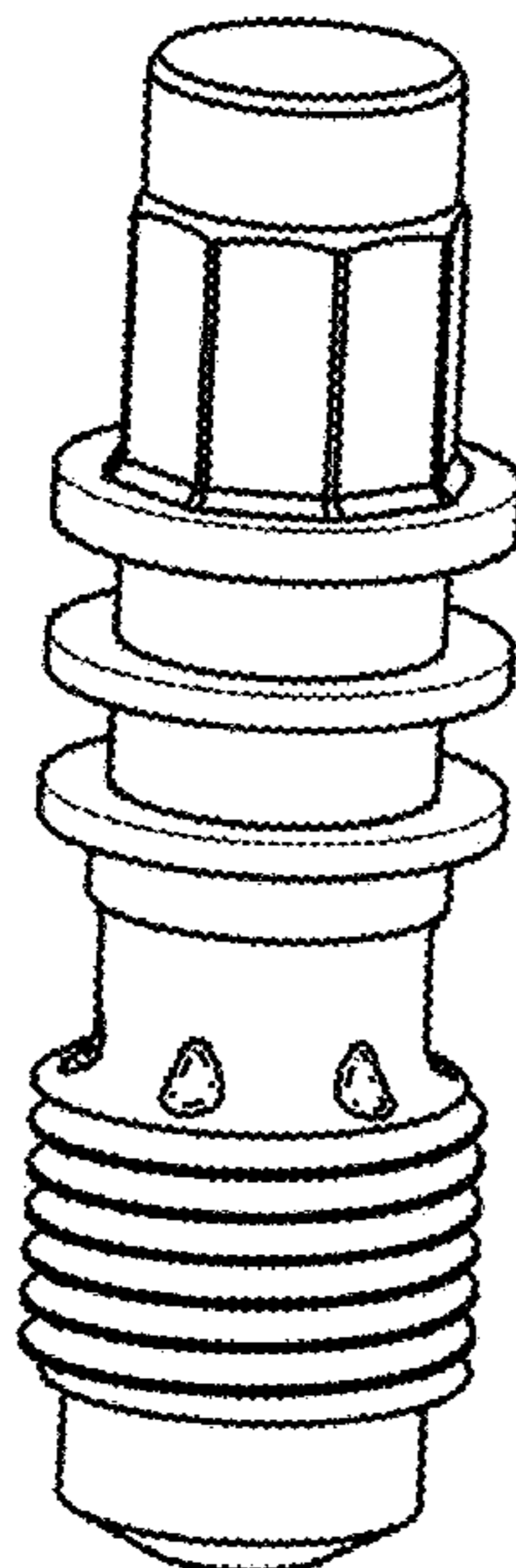


Fig. 1

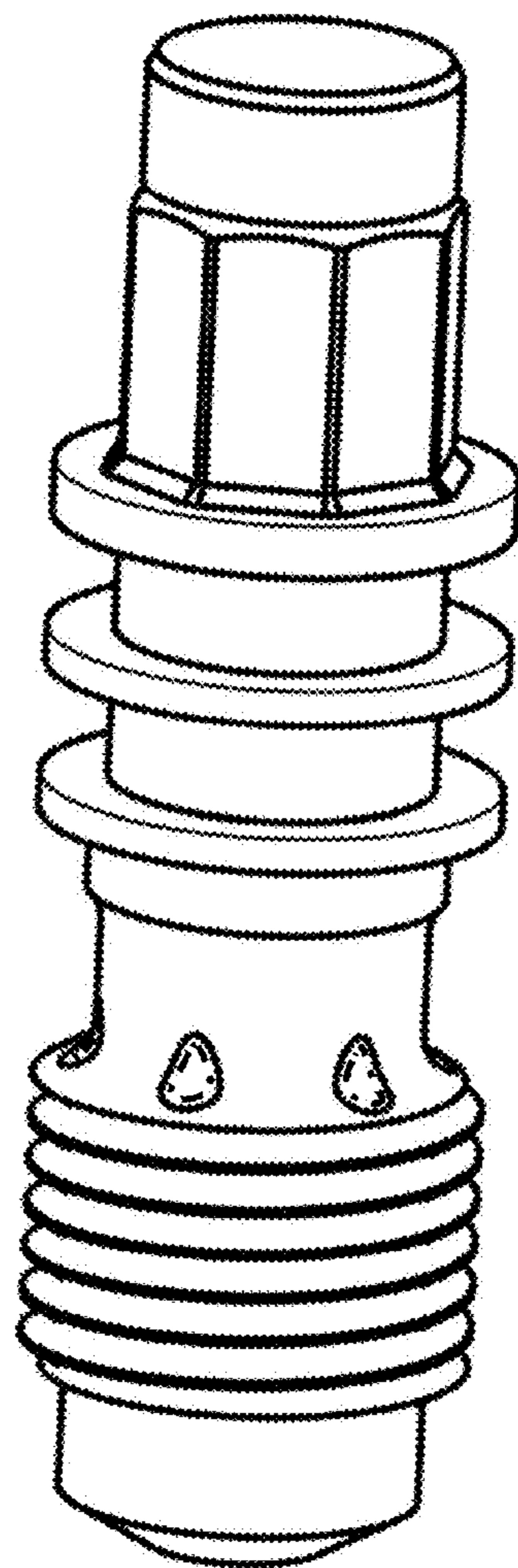


Fig. 2

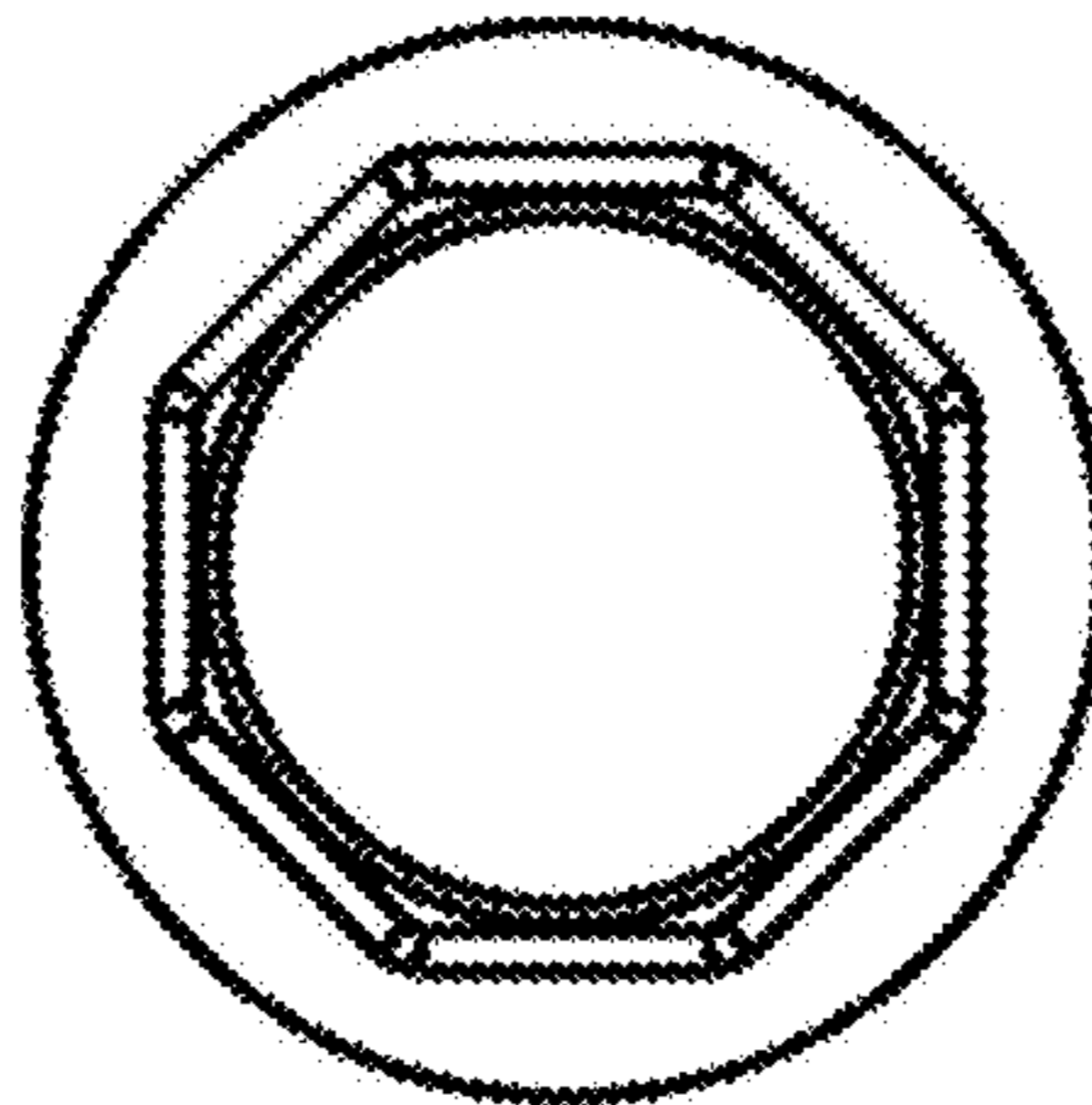


Fig. 3

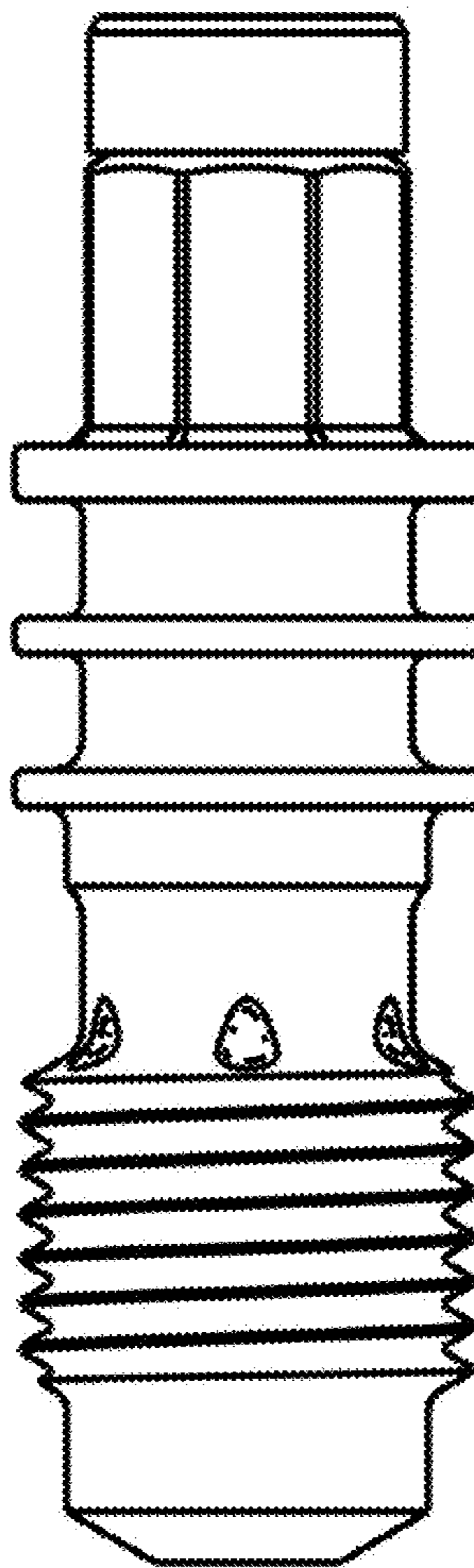


Fig. 4

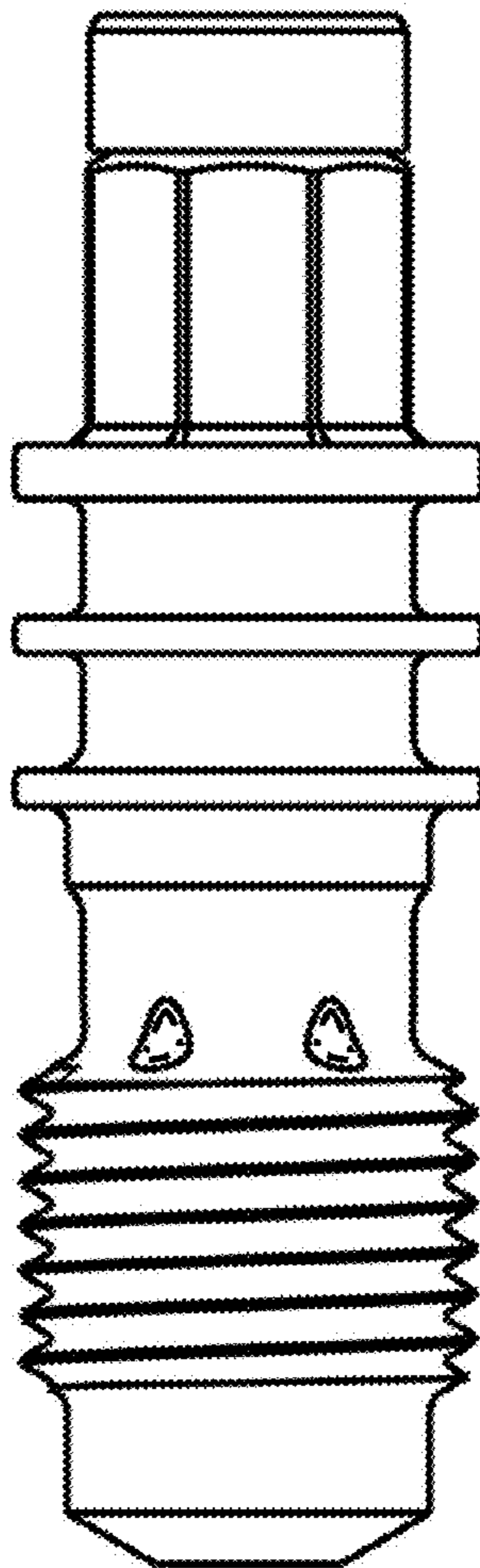


Fig. 5

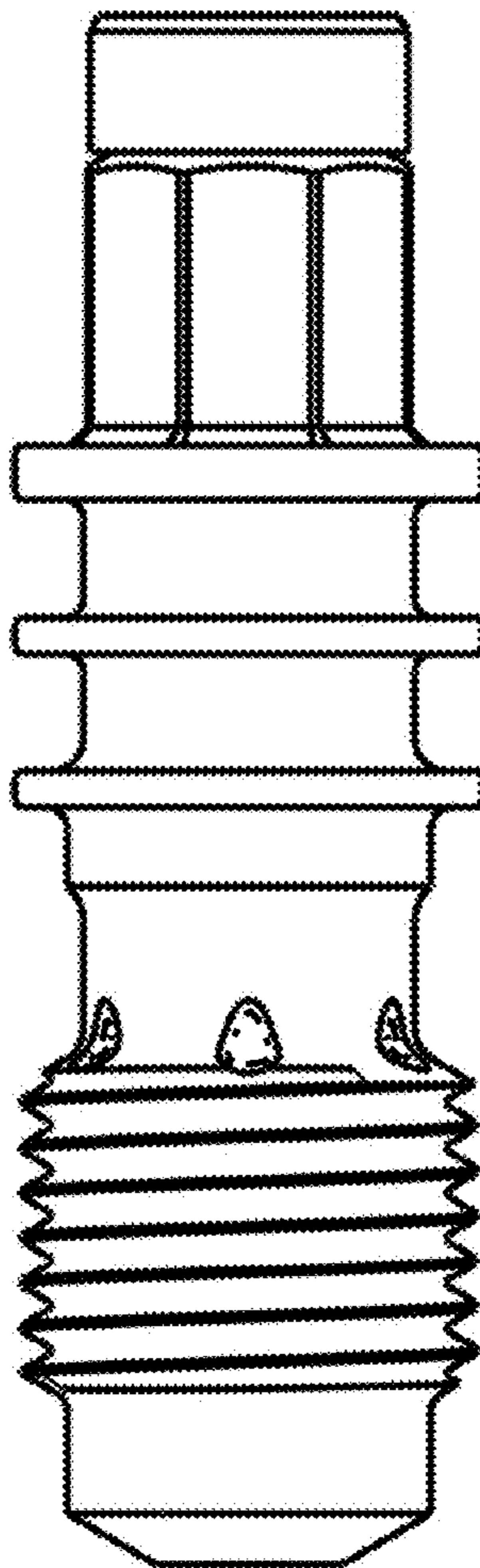


Fig. 6

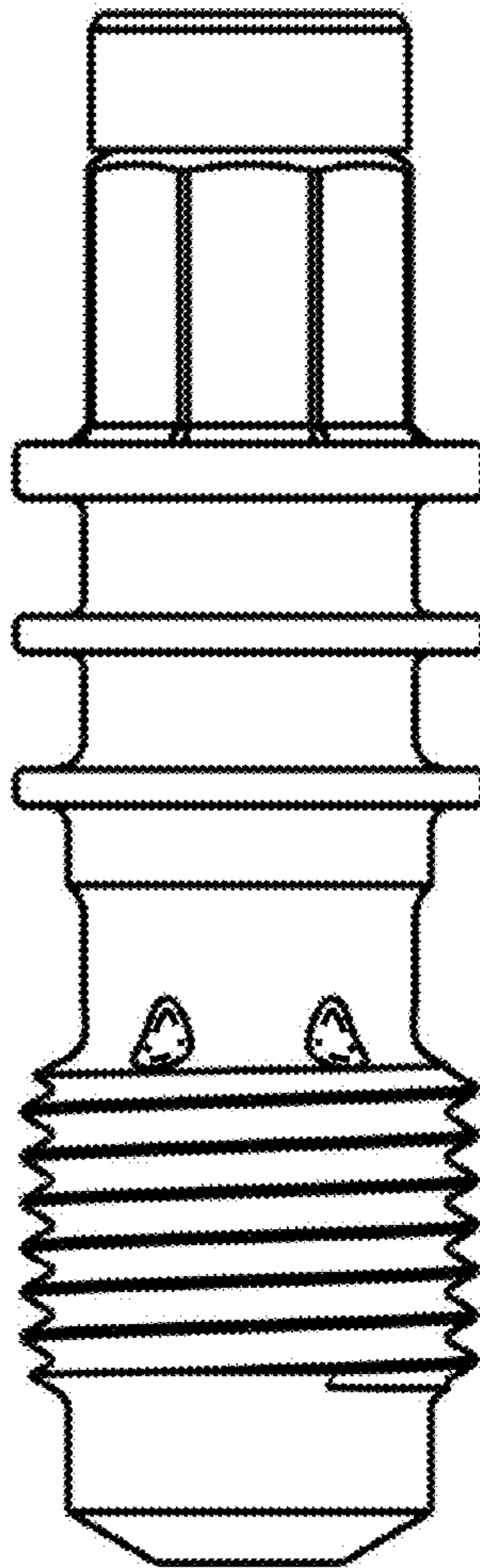


Fig. 7

