



US00D944862S

(12) **United States Design Patent** (10) **Patent No.:** **US D944,862 S**
Jacob (45) **Date of Patent:** **** Mar. 1, 2022**

- (54) **VALVE FOR ENGINE** 2005/0193973 A1* 9/2005 Hendriksma F01L 1/2405
123/90.55
(71) Applicant: **INNIO Jenbacher GmbH & Co OG,** 2006/0137638 A1* 6/2006 Hofmann F01L 1/2405
Jenbach (AT) 123/90.43
2010/0019186 A1 1/2010 Keller et al.
(72) Inventor: **Raphael Jacob,** Pfaffenhofen (DE) 2010/0037845 A1* 2/2010 Sailer F01L 13/0005
123/90.55
(73) Assignee: **Innio Jenbacher GmbH & Co OG,** 2013/0025555 A1* 1/2013 Kretschmer F01L 1/185
Jenbach (AT) 123/90.33
2015/0090070 A1* 4/2015 Trpcevski F01L 1/185
74/569
(**) Term: **15 Years** 2015/0369095 A1* 12/2015 Spoor F01L 13/0042
123/90.45
(21) Appl. No.: **29/744,722** 2016/0108766 A1* 4/2016 Zurface F01L 1/2405
73/114.79
(22) Filed: **Jul. 30, 2020** 2016/0319708 A1 11/2016 Nielsen
2018/0156078 A1 6/2018 Roberts et al.
2018/0171835 A1 6/2018 Sakaguechi
2018/0291771 A1 10/2018 Roberts et al.
2018/0363513 A1 12/2018 Roberts et al.

Related U.S. Application Data

(62) Division of application No. 29/565,459, filed on May 20, 2016, now Pat. No. Des. 896,842.

Foreign Application Priority Data

Nov. 23, 2015 (EM) 002873349

(51) **LOC (13) Cl.** **15-01**

(52) **U.S. Cl.**
USPC **D15/5**

(58) **Field of Classification Search**
USPC D15/1-6
CPC F01B 25/10; F02D 9/08; F02K 9/58
See application file for complete search history.

References Cited

U.S. PATENT DOCUMENTS

- 6,047,675 A * 4/2000 Kunz F01L 1/143
123/90.41
6,499,451 B1 * 12/2002 Hendriksma F01L 1/08
123/90.16
D785,047 S 4/2017 Zurface
2005/0028767 A1 2/2005 Liedtke et al.

* cited by examiner

Primary Examiner — Ania Aman

(74) *Attorney, Agent, or Firm* — Fletcher Yoder, P.C.

(57) **CLAIM**

The ornamental design for valve for engine, as shown and described.

DESCRIPTION

FIG. 1 is a perspective view of the valve for engine showing my new design;
FIG. 2 is a top view thereof;
FIG. 3 is a front side view thereof;
FIG. 4 is a right side view thereof;
FIG. 5 is a rear side view thereof;
FIG. 6 is a left side view thereof; and,
FIG. 7 is a bottom view thereof.
The broken lines shown in the drawings define the bounds of the claimed design and form no part thereof.

1 Claim, 7 Drawing Sheets

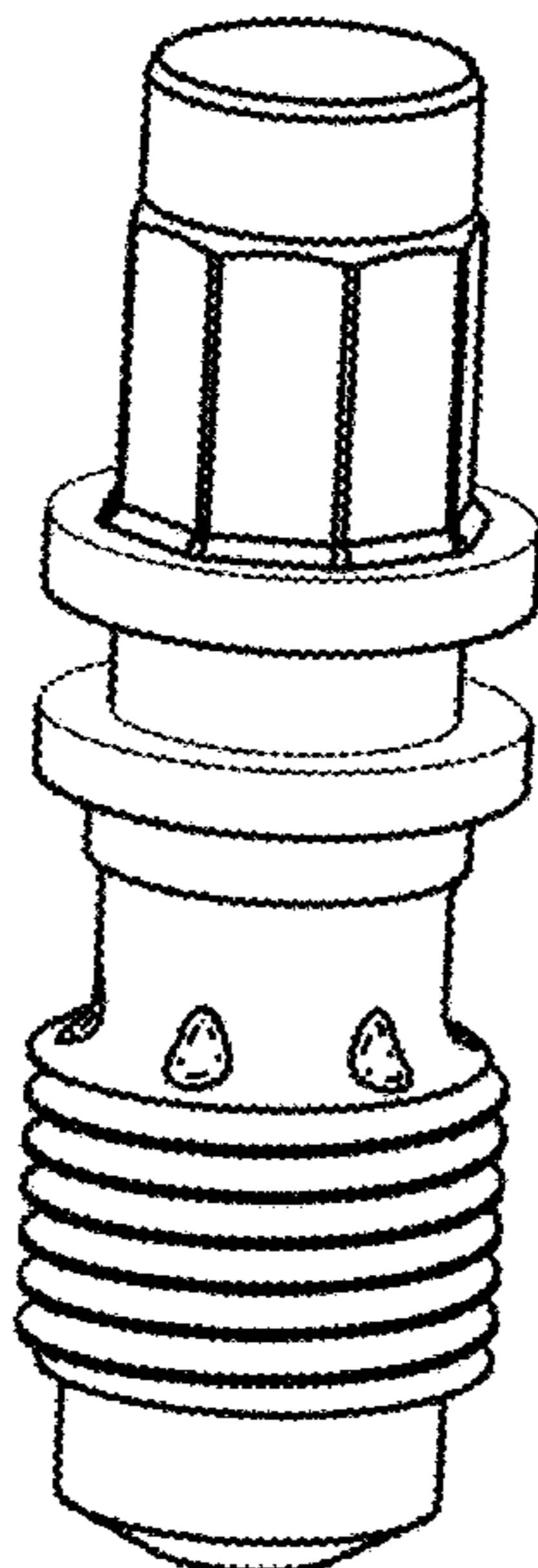


Fig. 1

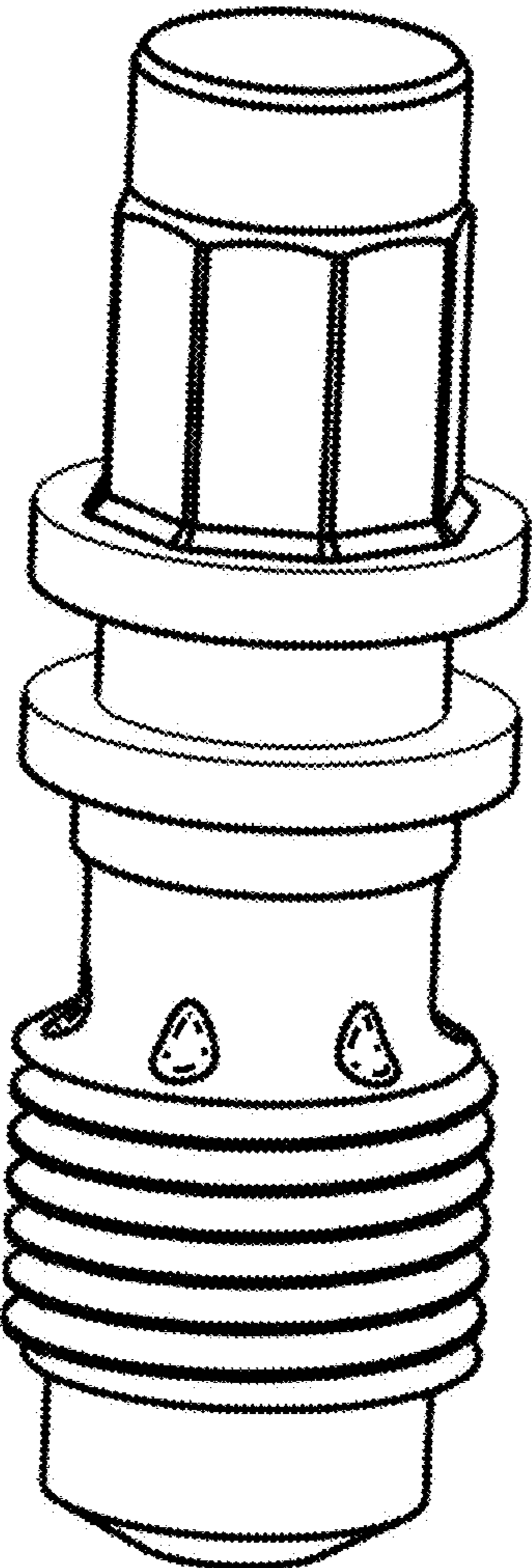


Fig. 2

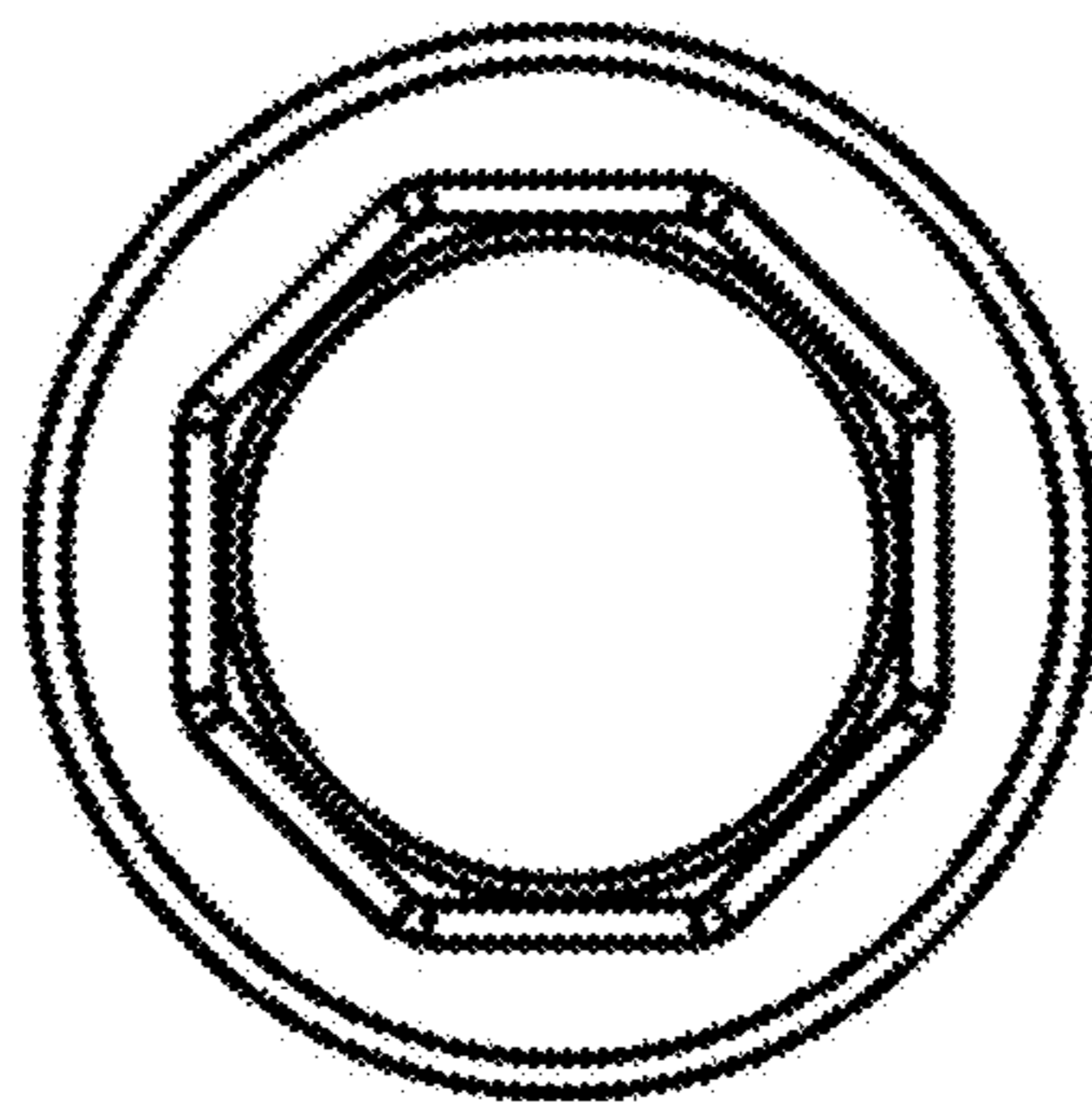


Fig. 3

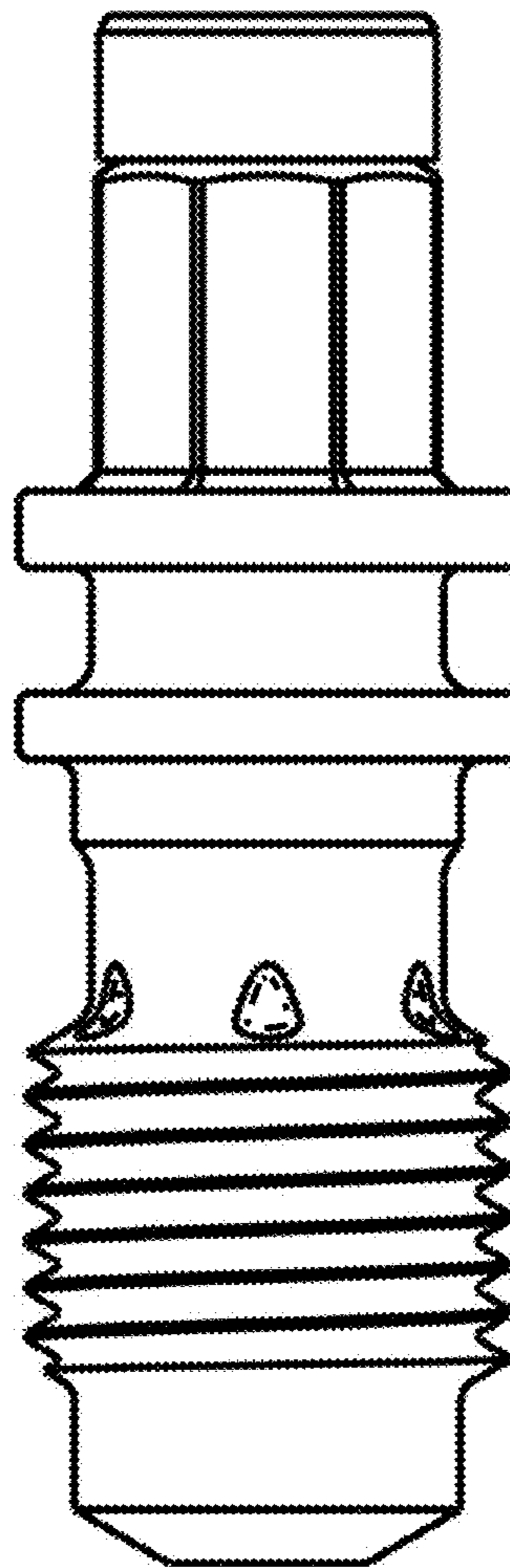


Fig. 4

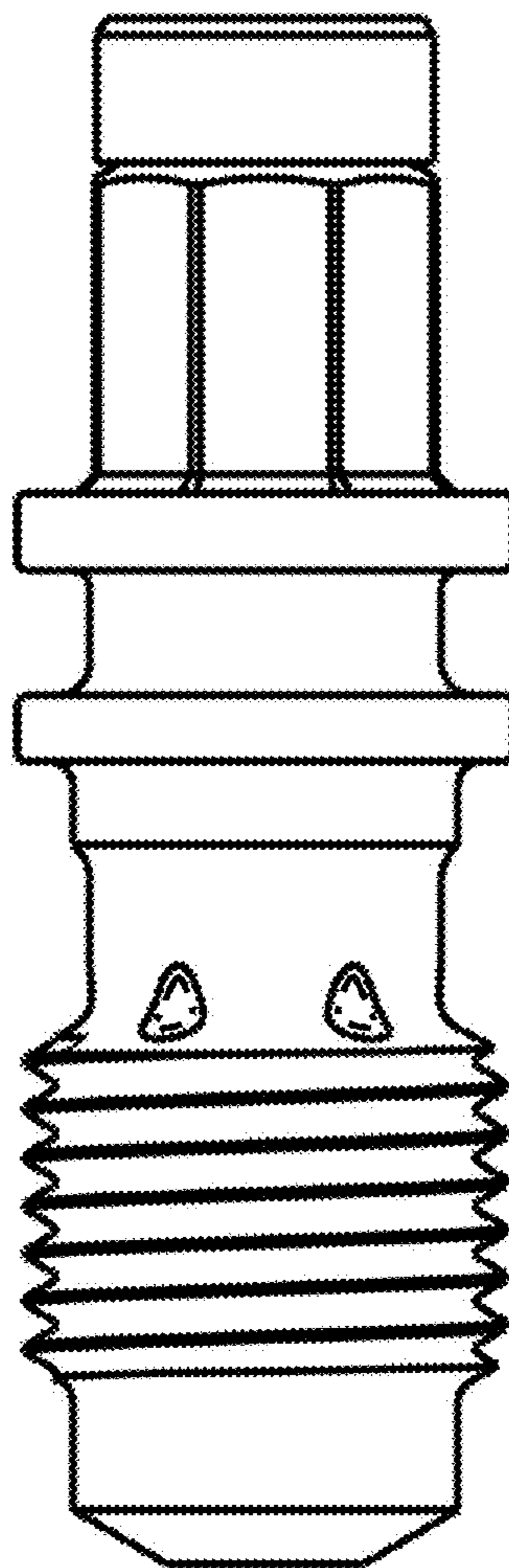


Fig. 5

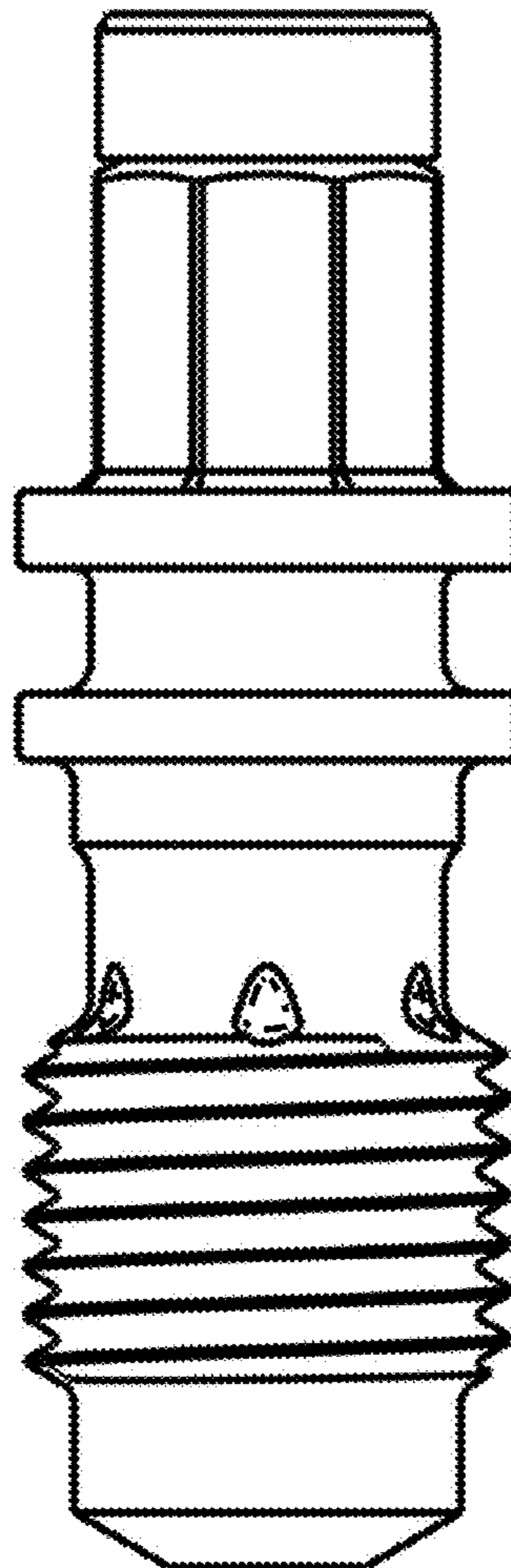


Fig. 6

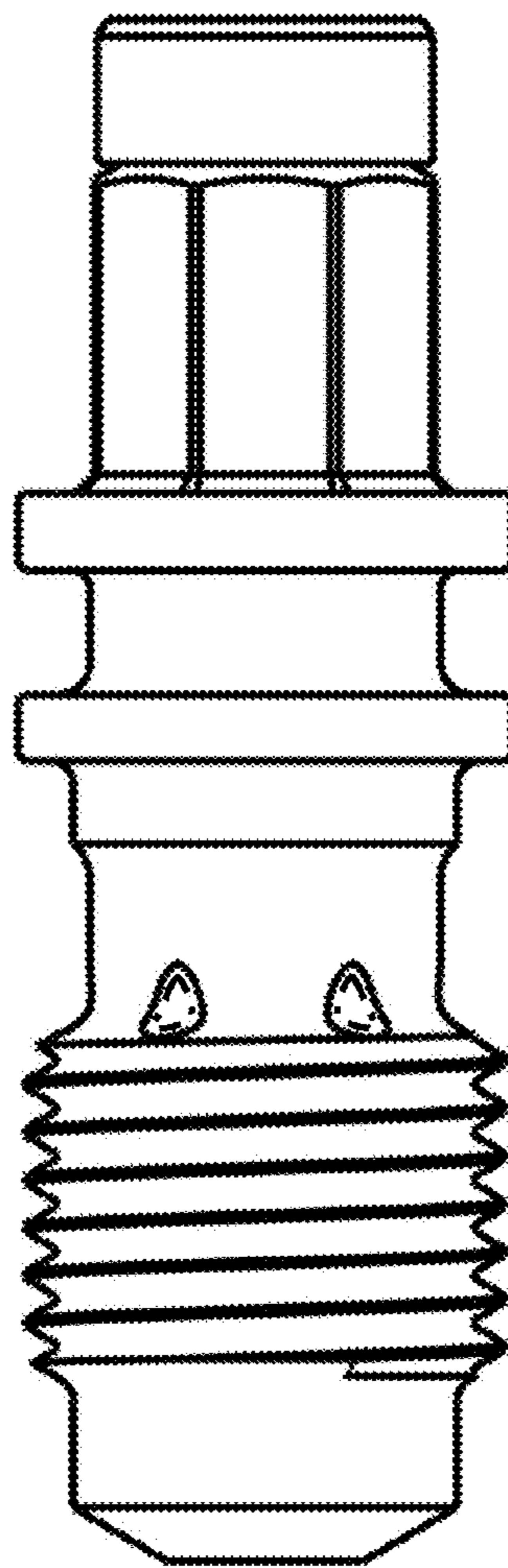


Fig. 7

