



US00D944846S

(12) **United States Design Patent** (10) **Patent No.:** **US D944,846 S**
Becker et al. (45) **Date of Patent:** **** Mar. 1, 2022**

(54) **ELECTRONIC DEVICE WITH GRAPHICAL USER INTERFACE**

(71) Applicant: **Apple Inc.**, Cupertino, CA (US)

(72) Inventors: **Zachary Z. Becker**, Santa Clara, CA (US); **Adam James Bolton**, San Jose, CA (US); **Michelle Tze Hiang Chua**, Seattle, WA (US); **Peter Justin Dollar**, Mountain View, CA (US); **Kyle Ellington Fisher**, Sunnyvale, CA (US); **David A. Lipton**, San Mateo, CA (US); **Robin-Yann Joram Storm**, Amsterdam (NL); **Eric Gregory Thivierge**, Sunnyvale, CA (US)

(73) Assignee: **Apple Inc.**, Cupertino, CA (US)

(**) Term: **15 Years**

(21) Appl. No.: **29/769,548**

(22) Filed: **Feb. 5, 2021**

Related U.S. Application Data

(63) Continuation of application No. 29/693,576, filed on Jun. 3, 2019, now Pat. No. Des. 910,055.

(51) **LOC (13) Cl.** **14-04**

(52) **U.S. Cl.**
USPC **D14/486**

(58) **Field of Classification Search**
USPC **D14/485-495**

(Continued)

(56) **References Cited**

U.S. PATENT DOCUMENTS

D519,516 S 4/2006 Najda et al.
D590,406 S 4/2009 Jasinski

(Continued)

OTHER PUBLICATIONS

“AutoCAD 3D Dimensioning Tutorial | AutoCAD 3D Dimension in Z Axis | AutoCAD 3D Tips and Tricks.” youtube.com. 0:01-0:10. Feb. 2, 2018. Retrieved Oct. 20, 2021 online at URL: <https://www.youtube.com/watch?v=P7alEuDRro4> (Year: 2018).*

(Continued)

Primary Examiner — Christian P. McLean
(74) *Attorney, Agent, or Firm* — Sterne, Kessler, Goldstein & Fox P.L.L.C.

(57) **CLAIM**

The ornamental design for an electronic device with graphical user interface, as shown and described.

DESCRIPTION

The file of this patent contains at least one drawing/photograph executed in color. Copies of this patent with color drawing(s)/photograph(s) will be provided by the Office upon request and payment of the necessary fee.

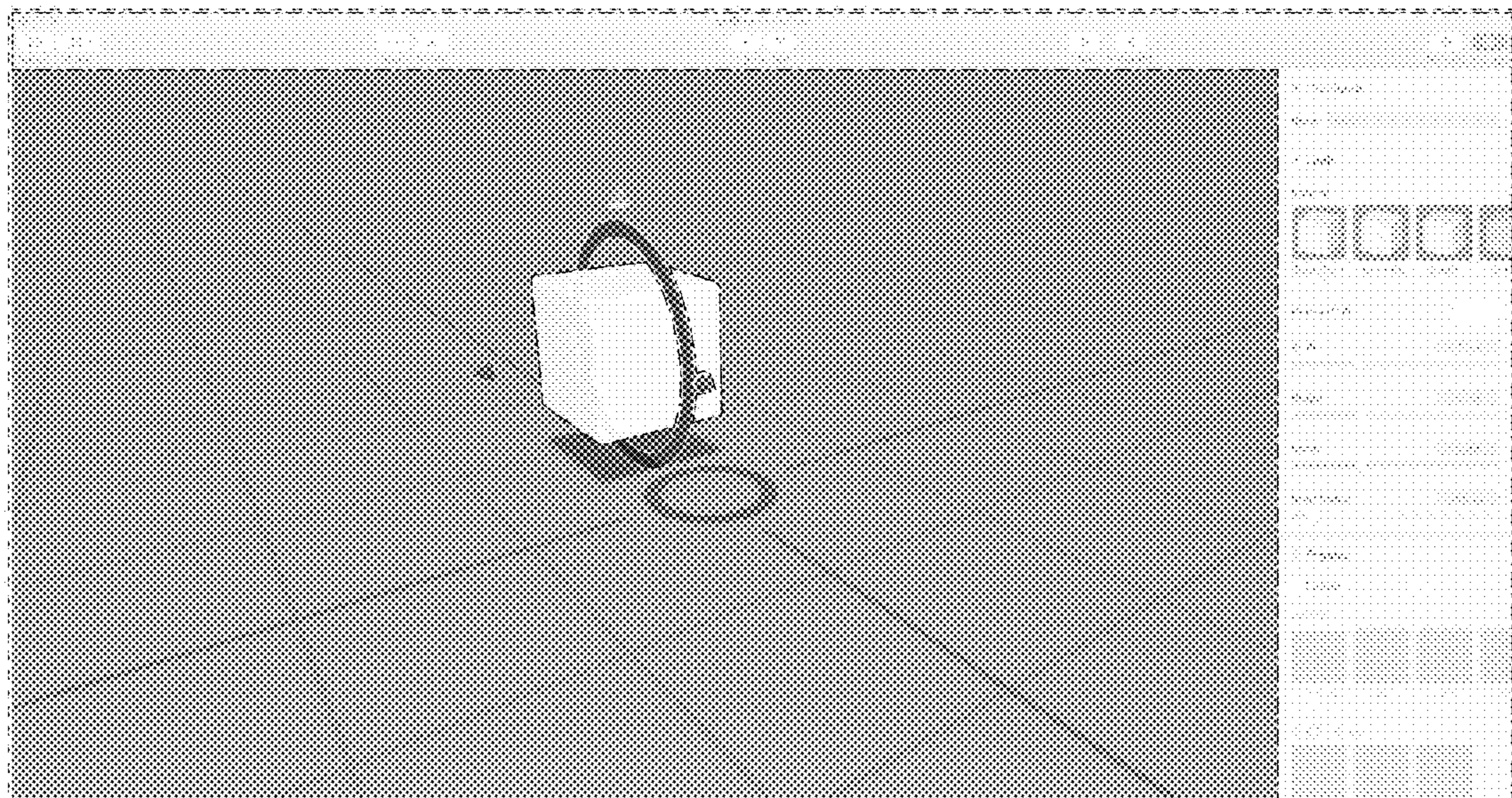
FIG. 1 is a front view of a display screen or portion thereof with graphical user interface, showing the claimed design; and,

FIG. 2 is a front view of an electronic device having a display screen with the graphical user interface of FIG. 1 applied to the display screen.

The outer dashed broken lines in the figures show a display screen or portion thereof, or an electronic device having a display screen, and form no part of the claimed design.

The dot-dash broken lines in the figures and the areas within the dot-dash broken lines under the semi-transparent white layer show portions of the graphical user interface that form no part of the claimed design.

1 Claim, 2 Drawing Sheets
(2 of 2 Drawing Sheet(s) Filed in Color)



(58) **Field of Classification Search**

CPC G06F 3/048; G06F 3/0481; G06F 3/04812;
 G06F 3/04817; G06F 3/0482; G06F
 3/0483; G06F 3/0484; G06F 3/04847;
 G06F 3/0485; G06F 3/04855; G06F
 3/04886; G06Q 30/00; H03J 1/00; H03J
 1/0008; H03J 1/0016; H03J 1/0025;
 H04N 5/00; H04N 5/08; H04N 5/14;
 H04N 5/222; H04N 5/225; H04N 5/232;
 H04N 5/445; H04N 5/44543; H04N 5/45;
 H04N 21/00; H04N 21/234; H04N
 21/431; H04N 21/4312; H04N 21/4314;
 H04N 21/4316; H04N 21/4532; H04N
 21/4622; H04N 21/47; H04N 21/478;
 H04N 21/482; H04N 21/4884; H04N
 21/4888; H04N 21/4856; H04N 21/485;
 H04N 21/6547

See application file for complete search history.

(56) **References Cited**

U.S. PATENT DOCUMENTS

D602,027 S 10/2009 Queric
 D623,657 S 9/2010 Fitzmaurice et al.
 D666,212 S * 8/2012 Coffinan D14/486
 D676,060 S * 2/2013 Frost D14/490
 D699,249 S 2/2014 Fujii et al.
 D717,815 S * 11/2014 Zuckerberg D14/486
 D741,348 S 10/2015 Roberts
 D741,887 S 10/2015 Park et al.
 D741,888 S 10/2015 Sic et al.
 D751,592 S 3/2016 Link
 D757,765 S * 5/2016 Moon D14/486
 D758,394 S * 6/2016 Weber D14/486
 D773,512 S 12/2016 Miura et al.
 D774,074 S 12/2016 Konishi et al.
 D774,075 S 12/2016 Konishi et al.
 D794,665 S 8/2017 Willis
 D800,166 S 10/2017 Hinze et al.
 D819,077 S 5/2018 Guzman et al.
 D819,691 S 6/2018 Evans et al.
 D835,156 S 12/2018 Griffin et al.
 D835,670 S * 12/2018 Hong D14/492
 D836,671 S 12/2018 Guzman et al.

D839,878 S * 2/2019 Ishii D14/485
 D857,036 S 8/2019 Cummings et al.
 D862,515 S 10/2019 Guzman et al.
 D883,326 S * 5/2020 Wu D14/489
 D885,431 S 5/2020 Griffin et al.
 10,691,286 B2 6/2020 King et al.
 D896,272 S 9/2020 Griffin et al.
 D910,055 S 2/2021 Becker et al.
 D910,668 S * 2/2021 Pazmino D14/485
 D911,368 S * 2/2021 Baijings D14/486
 D916,838 S * 4/2021 Morrell D14/486
 11,061,536 B2 * 7/2021 Walkin G06F 3/0486
 D929,413 S * 8/2021 Kim D14/485
 D931,325 S * 9/2021 Pazmino D14/488
 D931,894 S * 9/2021 Pazmino D14/488
 2007/0061726 A1 3/2007 Rahn et al.
 2011/0225538 A1 9/2011 Oyagi et al.
 2013/0097563 A1 4/2013 Pacheco Rodrigues Velho et al.
 2013/0132909 A1 5/2013 Song et al.
 2016/0274572 A1 9/2016 Littrell et al.
 2017/0351244 A1 12/2017 Wolf et al.
 2020/0326839 A1 * 10/2020 Walkin G06F 3/0486
 2020/0379626 A1 * 12/2020 Guyomard G06F 3/04815

OTHER PUBLICATIONS

“UCS cursor colour change.” forums.autodesk.com. Posted Mar. 27, 2015. Retrieved Oct. 20, 2021 online at URL: <https://forums.autodesk.com/t5/autocad-forum/ucs-cursor-colour-change/td-p/5553274> (Year: 2015).*

“Autocad viewcube missing no more I 3 Methods.” youtube.com, 1:10-1:11, dated Sep. 5, 2018, <https://www.youtube.com/watch?v=70qnlMvErlQ>.

“Sketchup 2017 vs 2018 User interface.” youtube.com, 0:33-0:35, dated Nov. 27, 2017, <https://www.youtube.com/watch?v=HSp6wFHxbDI>.

“Advanced Rhino 5 Tutorial I Creating Hatch Drawings.” youtube.com, 5:05-5:06, dated Nov. 5, 2012, https://www.youtube.com/watch?v=96_nzBf8eFO (Year: 2012).

Registered Trademark Serial No. 88956058, Apple Inc., filed Jun. 9, 2020, priority date Dec. 12, 2019.

Registered Trademark Serial No. 88457607, Apple Inc., filed Jun. 3, 2019.

* cited by examiner

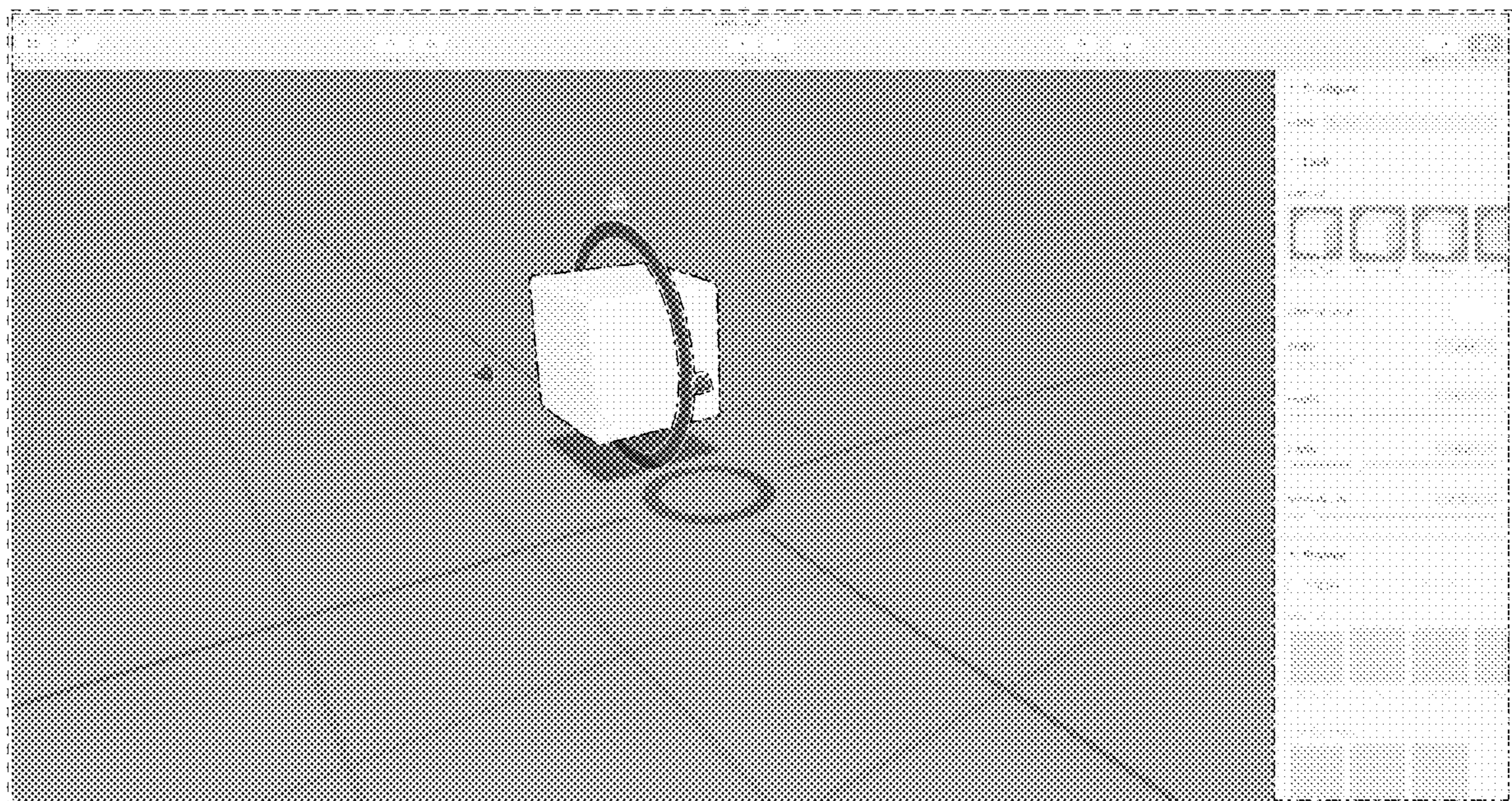


FIG. 1

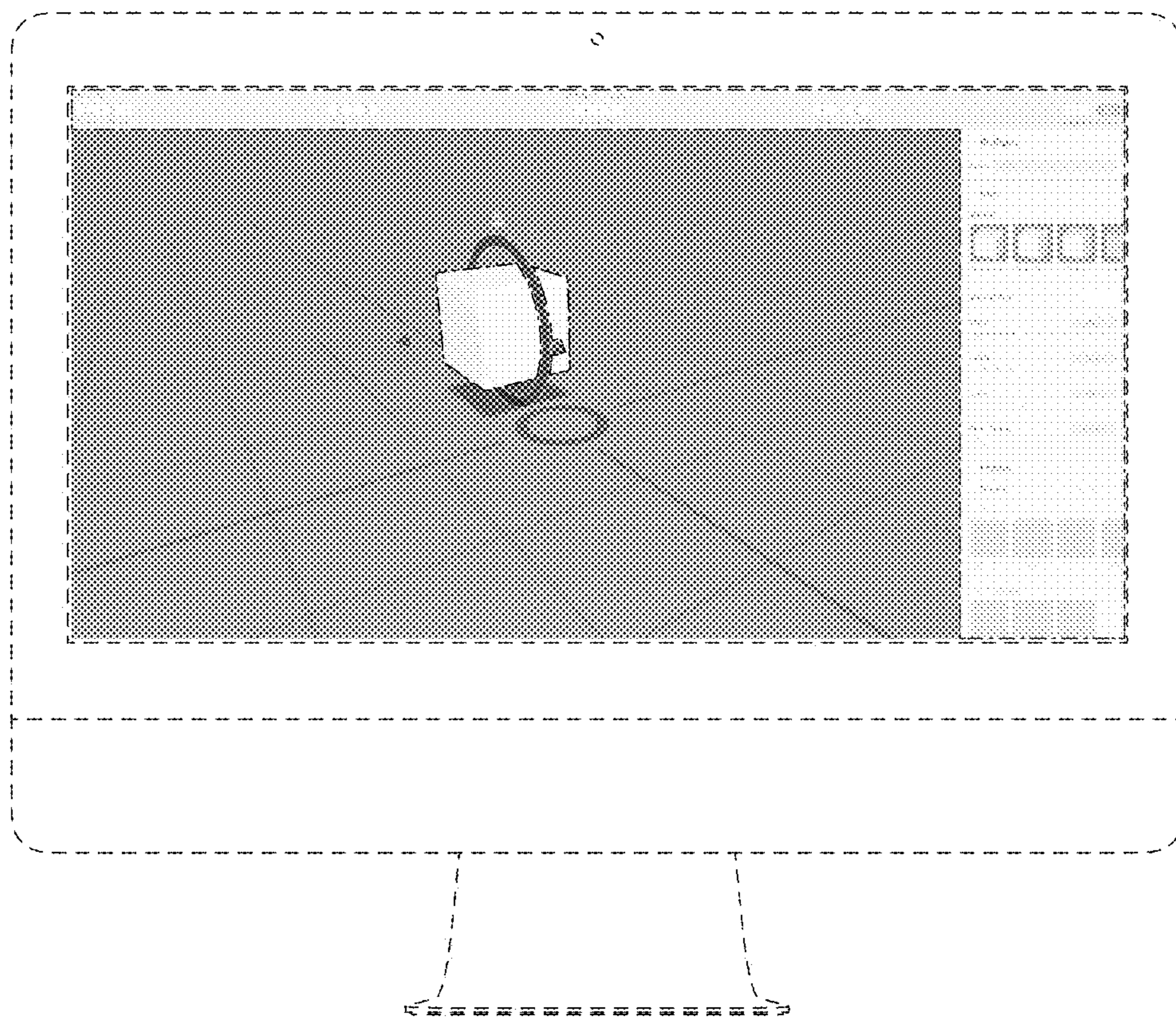


FIG. 2