



US00D944816S

(12) **United States Design Patent** (10) **Patent No.:** **US D944,816 S**
Kukuk (45) **Date of Patent:** **** Mar. 1, 2022**

(54) **CONTROL LEVER**

FOREIGN PATENT DOCUMENTS

(71) Applicant: **The Charles Machine Works, Inc.,**
Perry, OK (US)

KR 300639501.0000 * 4/2012
WO WO-D088656-001 * 11/2015

(72) Inventor: **Brant D. Kukuk,** Perry, OK (US)

OTHER PUBLICATIONS

(73) Assignee: **The Charles Machine Works, Inc.,**
Perry, OK (US)

JL30-XI-10R1 H Industrial Joystick with F Handle, P3 America, p3america.com, author and date unlisted © 2021 P3 America, Inc., online, site visited May 18, 2021. Available at URL: https://p3america.com/jl30-xi-10r1-h/?gclid=EAlalQobChMlnKHxjsXT8AIVTDizAB2EZA6xEAkYCSABEgJCP_D_BwE (Year: 2021).*

(**) Term: **15 Years**

(21) Appl. No.: **29/700,345**

(22) Filed: **Aug. 1, 2019**

(51) **LOC (13) Cl.** **12-16**

(52) **U.S. Cl.**
USPC **D14/454; D12/179**

(58) **Field of Classification Search**
USPC D14/412-413, 416, 454, 411, 415, 418,
D14/420; D8/80-81, 83, 107, 68, 310,
D8/70; D15/28, 132, 17-18, 138, 142;
D12/174, 178-180, 112, 317, 169;
D21/333; D9/693; D13/171; D34/10,
D34/27, 35

CPC ... G05G 9/06; G05G 1/04; B62D 1/12; B62D
1/14; B62D 1/16

See application file for complete search history.

Primary Examiner — Lakiya G Rogers

Assistant Examiner — Altaira J Swangin

(74) *Attorney, Agent, or Firm* — Tomlinson McKinstry,
P.C.

(57) **CLAIM**

The ornamental design for a control lever, as shown and described.

DESCRIPTION

FIG. 1 is a rear elevation view of the control lever of my new design.

FIG. 2 is a left side elevation view thereof.

FIG. 3 is a front elevation view thereof.

FIG. 4 is a right side elevation view thereof.

FIG. 5 is a top plan view thereof.

FIG. 6 is a rear top right perspective view thereof.

FIG. 7 is a rear bottom perspective view thereof; and,

FIG. 8 is a front bottom perspective view thereof.

The dashed line elements are included for the purposes of illustrating unclaimed portions of the structure of the control lever and form no part of the claimed design. The bottom surface of the control lever grip, as shown in FIGS. 7 and 8, is unclaimed.

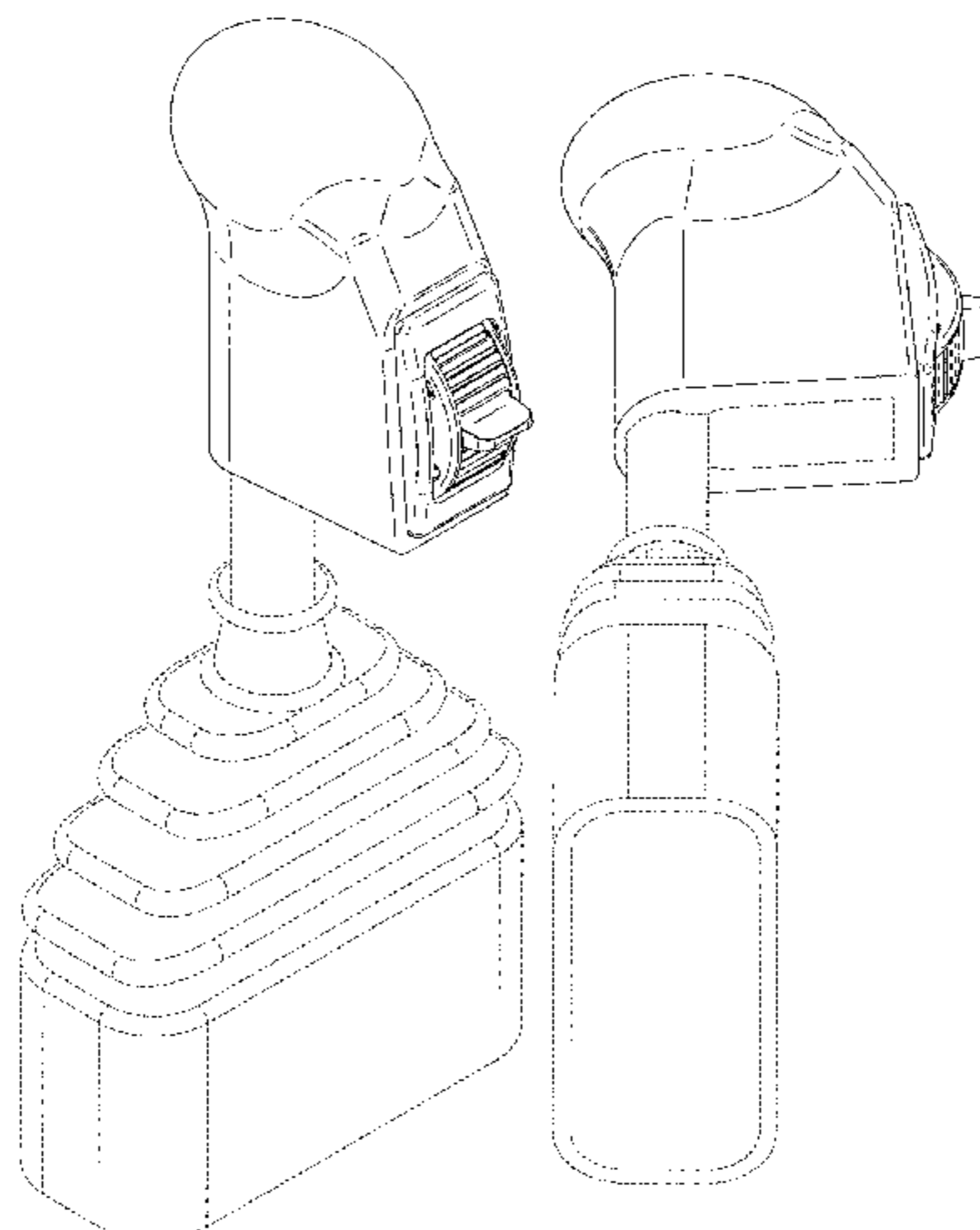
(56) **References Cited**

U.S. PATENT DOCUMENTS

D409,169 S *	5/1999	Gustafsson	D14/454
D430,878 S *	9/2000	Adler	D14/402
D439,124 S *	3/2001	Duennes	D8/70
D440,919 S *	4/2001	Pfeiffer	D12/179
D473,526 S *	4/2003	Israel	D13/168
D494,829 S *	8/2004	Lin	D8/83
D506,422 S	6/2005	Crookes		
D536,153 S *	1/2007	Niebuhr	D14/415
D571,268 S *	6/2008	Hoffman	D12/179
D598,023 S	11/2009	Miller et al.		
D617,240 S *	6/2010	Rosenbohm	D12/179
D628,524 S *	12/2010	Golling	D12/180
D633,111 S *	2/2011	Muraoka	D15/28
D636,306 S *	4/2011	Pohanka	D12/179

(Continued)

1 Claim, 8 Drawing Sheets



(56)

References Cited

U.S. PATENT DOCUMENTS

D656,073	S	3/2012	Foerster et al.	
8,226,155	B2	7/2012	Hill et al.	
D705,631	S *	5/2014	Waldron	B25G 1/102 D8/68
D709,102	S *	7/2014	Tokuda	D15/28
D712,225	S *	9/2014	Larson	D8/70
D722,415	S *	2/2015	Castagnola	D34/31
9,058,051	B2 *	6/2015	Miura	G05G 1/06
D747,721	S *	1/2016	Gentle	D14/412
D758,949	S *	6/2016	Tran	D12/345
D767,358	S *	9/2016	Harrison	D8/83
D768,728	S *	10/2016	Okuyama	D15/28
D771,152	S	11/2016	Rush	
D814,783	S *	4/2018	Chen	D3/12
D844,514	S *	4/2019	Wagner	D12/179
10,330,190	B2 *	6/2019	Luvison	G05G 1/04
D876,282	S *	2/2020	Reinhart	D12/106
10,557,548	B2 *	2/2020	Ahn	F16H 59/0204
D878,258	S *	3/2020	Gibson	D12/179
D900,758	S *	11/2020	Cen	D13/168
D916,169	S *	4/2021	Jobetto	D16/237
D927,955	S *	8/2021	Kaneko	D8/300
D928,050	S *	8/2021	Hagner	D12/187
D931,170	S *	9/2021	Imai	D12/179
2009/0200116	A1	8/2009	Wiggins et al.	
2015/0128741	A1 *	5/2015	Farkas	F21V 7/00 74/473.3
2016/0124430	A1 *	5/2016	Boudou	G05G 5/03 74/504
2018/0340607	A1 *	11/2018	Uenomachi	G05G 1/04
2020/0201378	A1 *	6/2020	Kikuchi	H01H 19/14
2021/0213829	A1 *	7/2021	Choi	B62D 1/12
2021/0276418	A1 *	9/2021	Eul	G05G 25/04

* cited by examiner

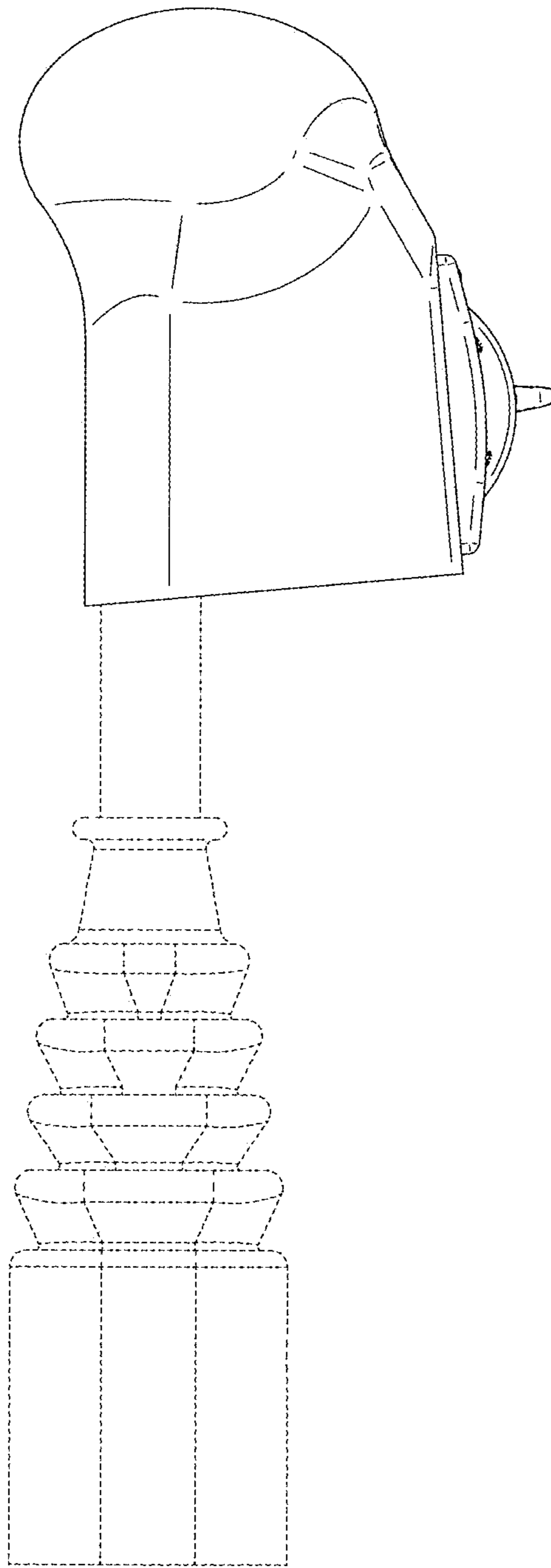


FIG. 1

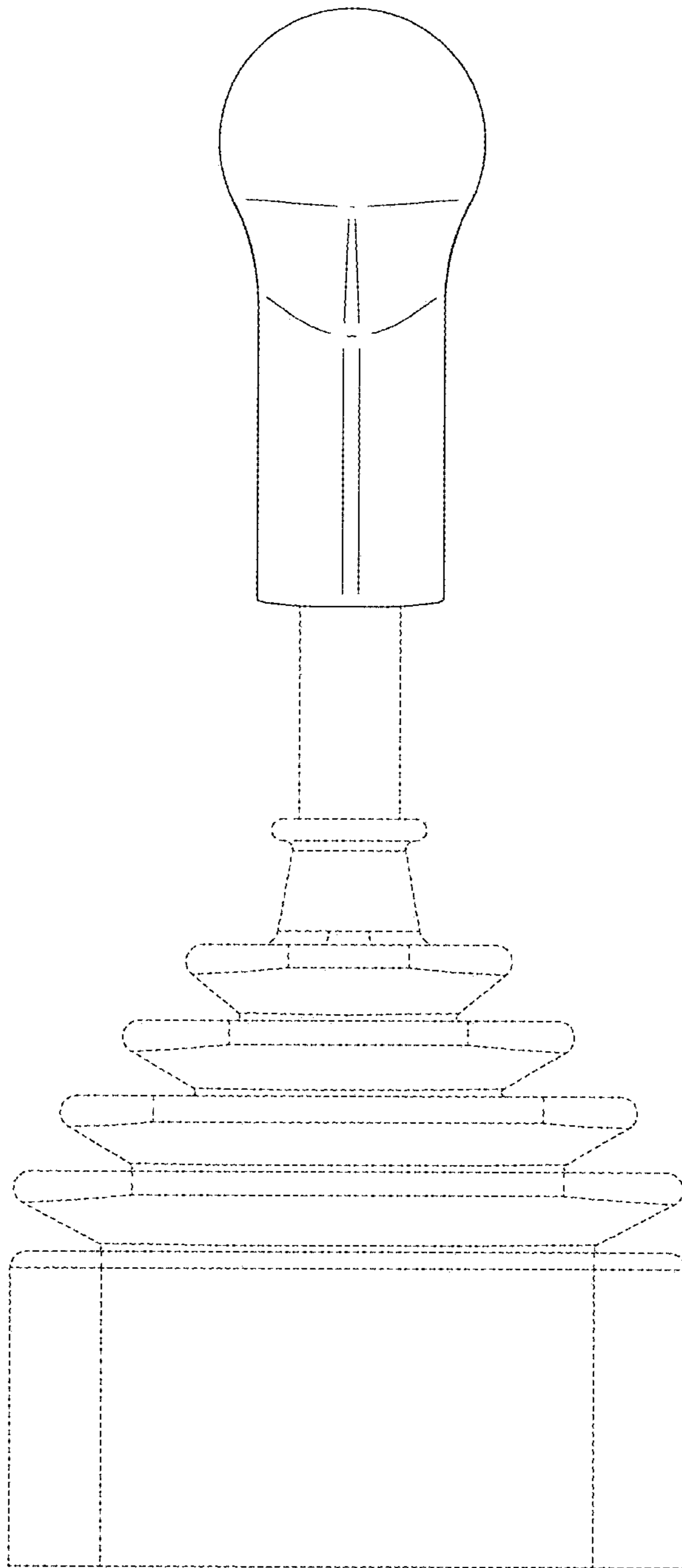


FIG. 2

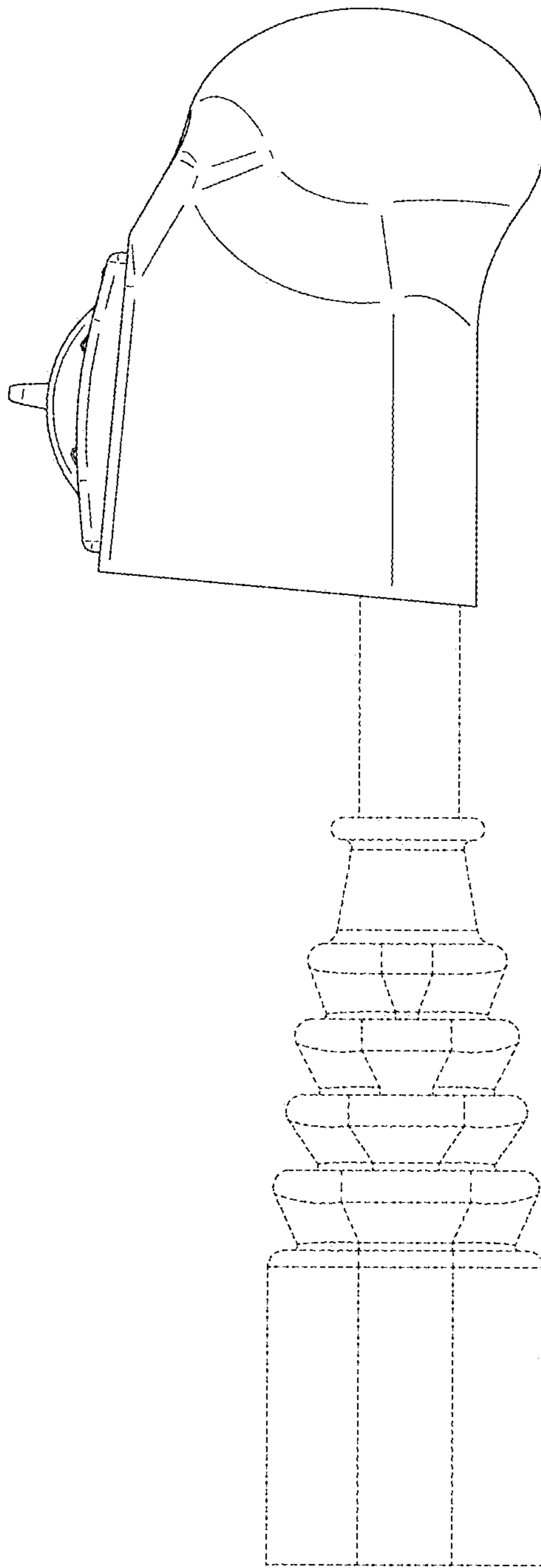


FIG. 3

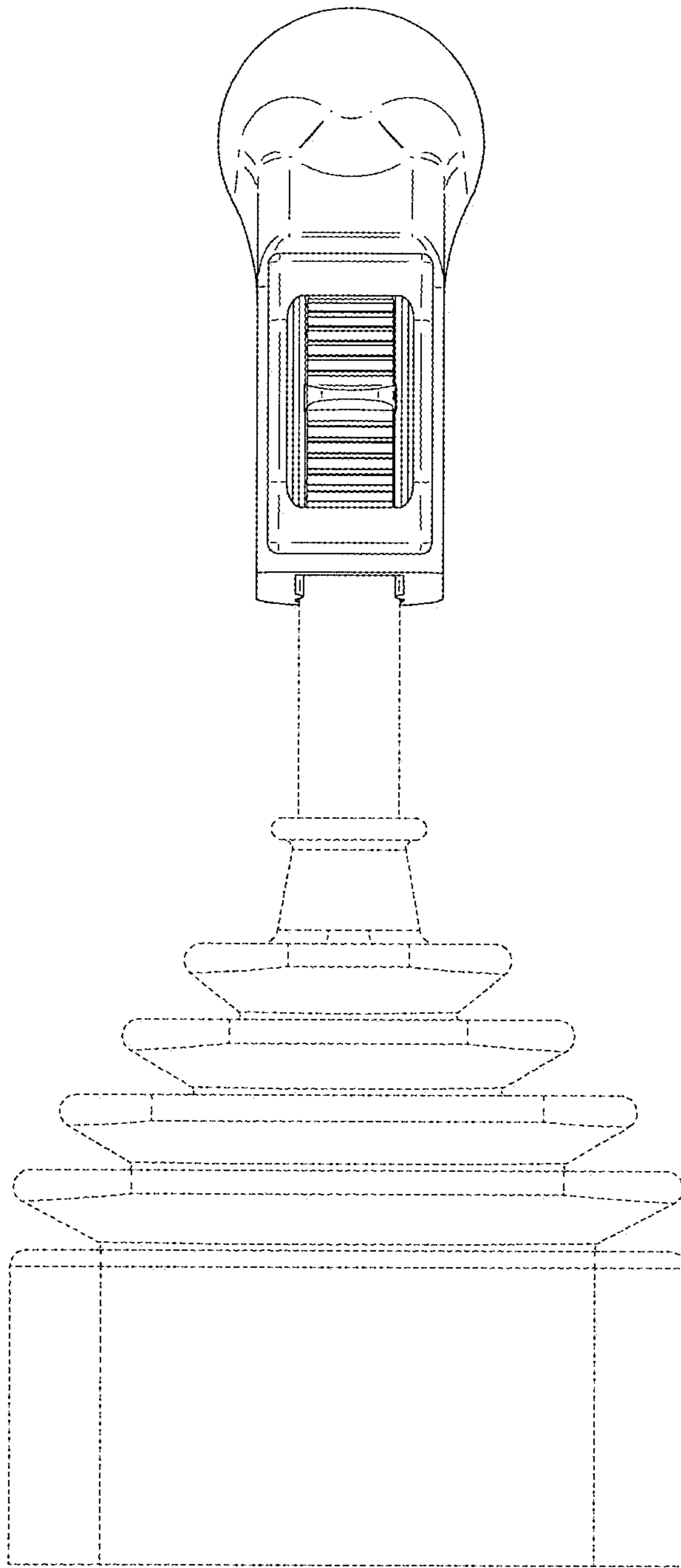


FIG. 4

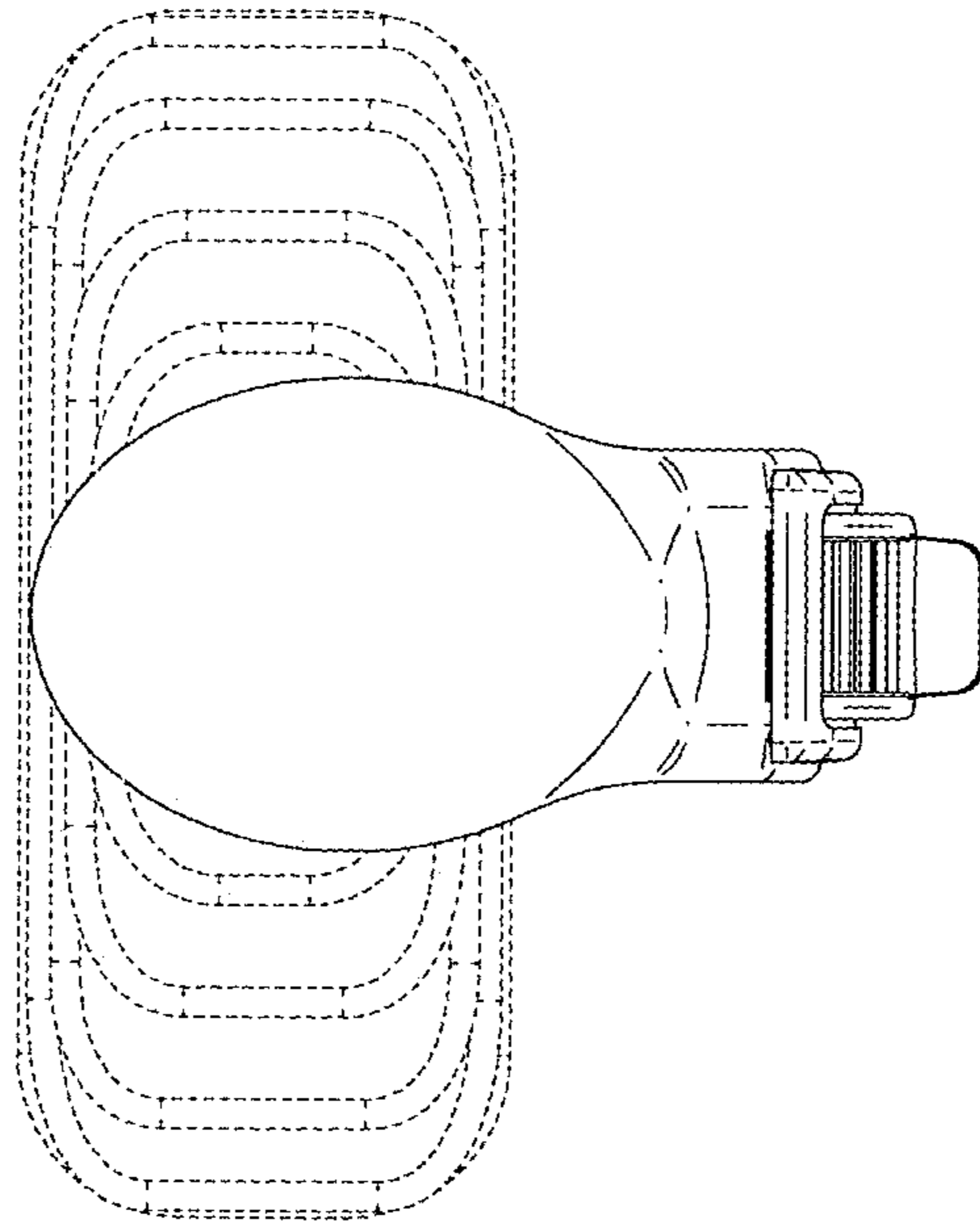


FIG. 5

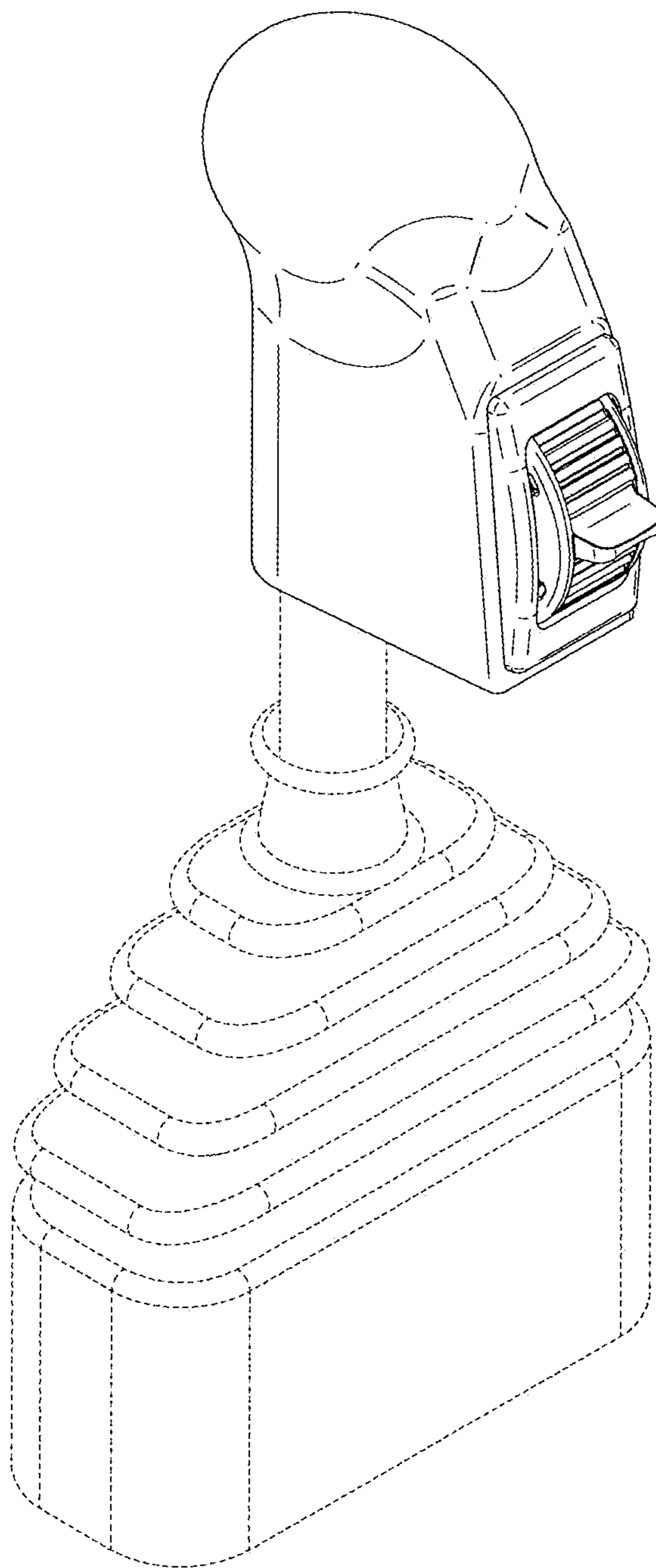


FIG. 6

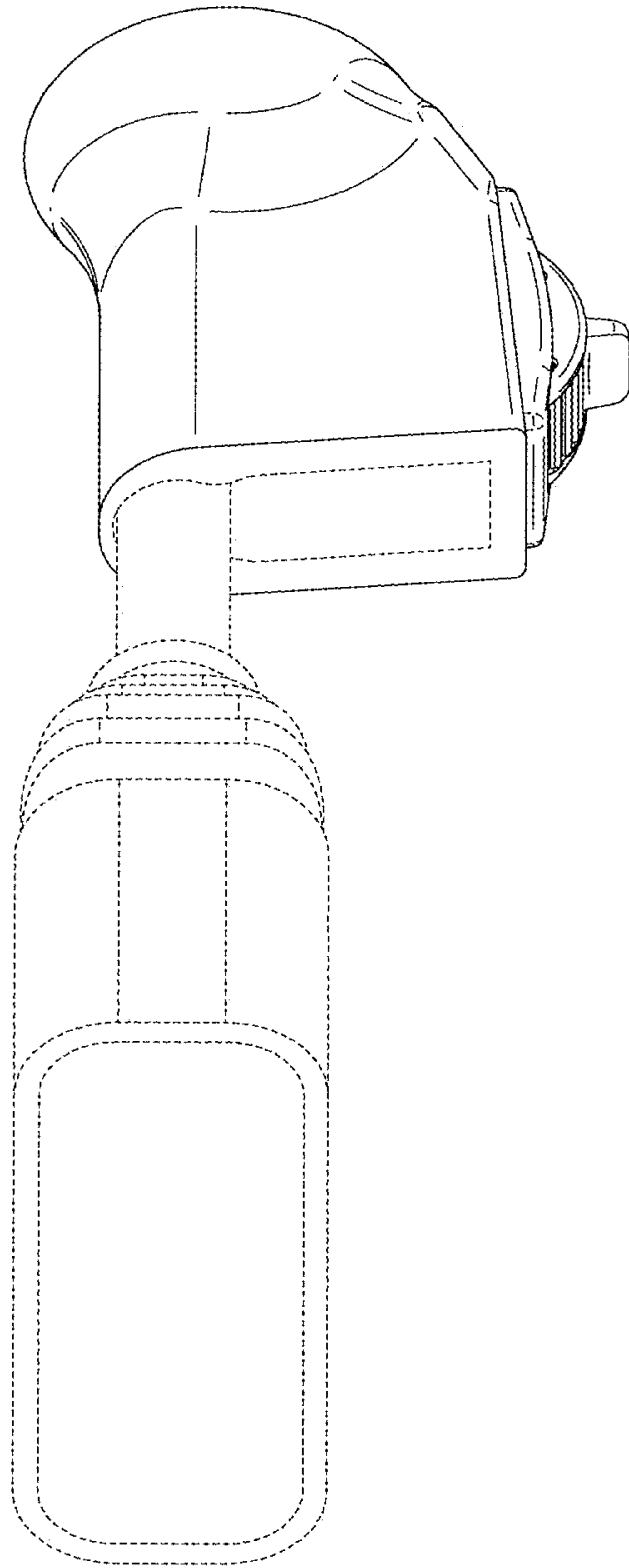


FIG. 7

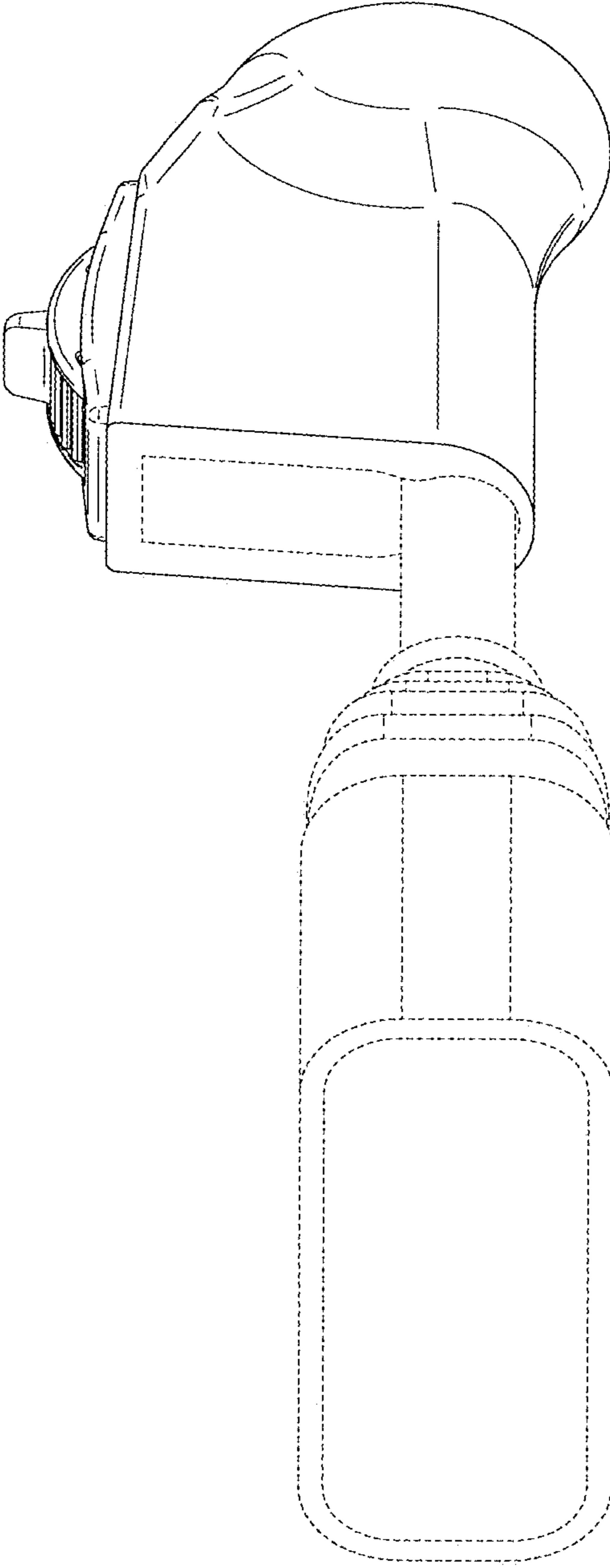


FIG. 8