



US00D944815S

(12) **United States Design Patent**  
**Kukuk**

(10) **Patent No.:** **US D944,815 S**  
(45) **Date of Patent:** **\*\* Mar. 1, 2022**

(54) **CONTROL LEVER**

FOREIGN PATENT DOCUMENTS

(71) Applicant: **The Charles Machine Works, Inc.,**  
Perry, OK (US)

CN 303563093 \* 1/2016  
CN 304887683 \* 11/2018  
CN 305705868 \* 4/2020

(72) Inventor: **Brant D. Kukuk,** Perry, OK (US)

(73) Assignee: **The Charles Machine Works, Inc.,**  
Perry, OK (US)

OTHER PUBLICATIONS

(\*\*) Term: **15 Years**

Joystick, Progressive Automations, amazon.com, published by Progressive Automations on Dec. 4, 2017 © 1996-2021 Amazon.com, Inc., online, site visited May 17, 2021. Available at URL: <https://www.amazon.com/Progressive-Automations-RC-15-Joystick-Momentary/dp/B077XKZ3MR> (Year: 2017).\*

(21) Appl. No.: **29/700,344**

(22) Filed: **Aug. 1, 2019**

*Primary Examiner* — Lakiya G Rogers

(51) **LOC (13) Cl.** ..... **14-02**

*Assistant Examiner* — Altaira J Swangin

(52) **U.S. Cl.**  
USPC ..... **D14/454**

(74) *Attorney, Agent, or Firm* — Tomlinson McKinstry, P.C.

(58) **Field of Classification Search**  
USPC ..... D14/412–413, 416, 454; D8/80–81, 83, D8/107; D15/28, 132, 17–18, 138, 142; D12/174, 178–180, 112, 317; D21/333; D13/171; D34/10, 27, 35  
CPC ... G05G 9/06; G05G 1/04; B62D 1/12; B62D 1/14; B62D 1/16  
See application file for complete search history.

(57) **CLAIM**

The ornamental design for a control lever, as shown and described.

**DESCRIPTION**

(56) **References Cited**

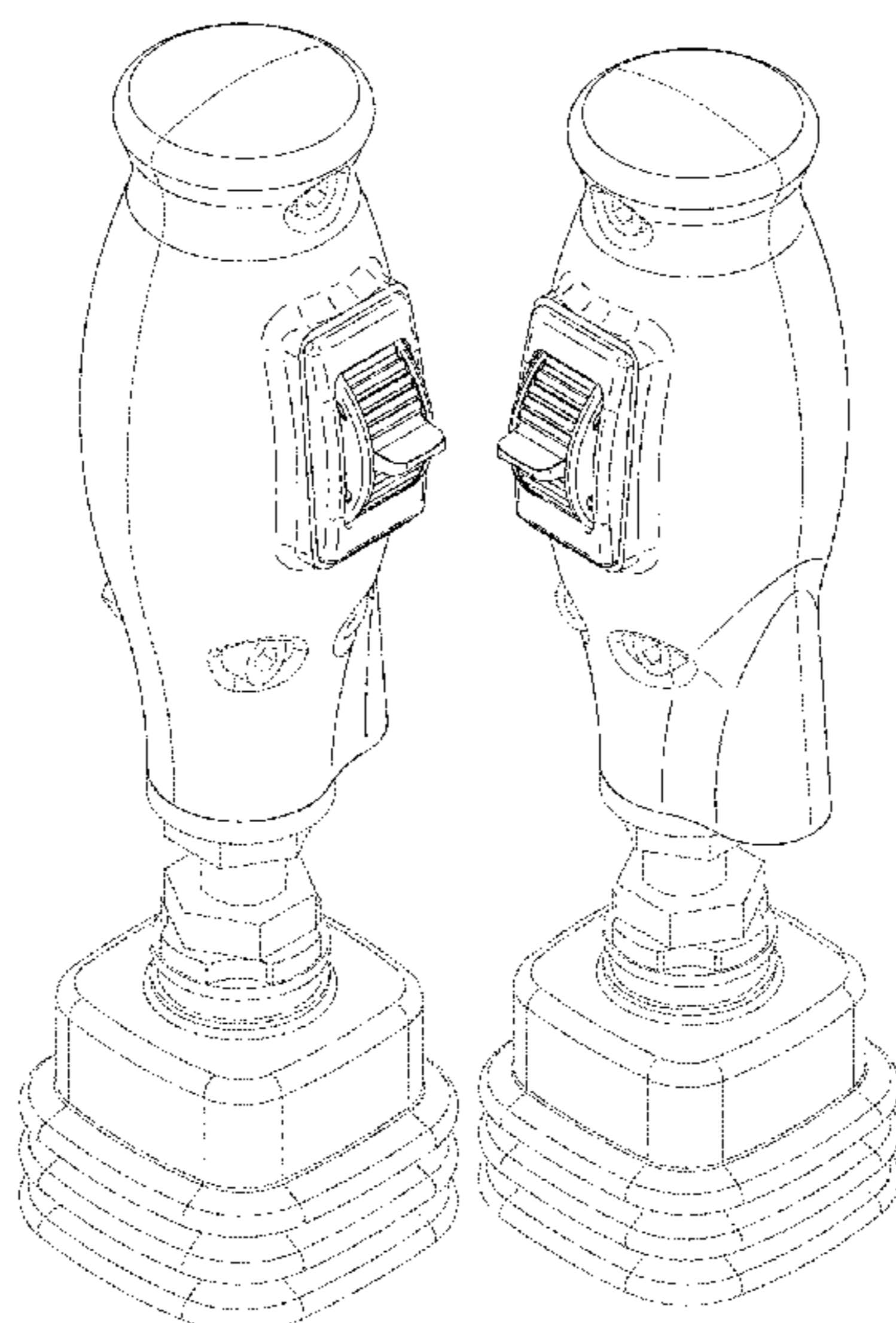
U.S. PATENT DOCUMENTS

3,172,439	A *	3/1965	Fischer	.....	B25G 1/085
					81/489
5,442,380	A *	8/1995	McCormick	.....	B43K 29/08
					346/14 MR
D463,238	S *	9/2002	Schoen	.....	D8/70
D467,484	S *	12/2002	Schoen	.....	D8/70
D494,038	S *	8/2004	Shih	.....	D8/107
D506,422	S *	6/2005	Crookes		
D523,724	S *	6/2006	Rinner	.....	D8/107
D589,464	S *	3/2009	Ozoe	.....	D13/168
D598,023	S	11/2009	Miller et al.		
D656,073	S	3/2012	Foerster et al.		
8,226,155	B2	7/2012	Hill et al.		
D678,281	S *	3/2013	Yung	.....	D14/401

(Continued)

FIG. 1 is a front elevation view of the control lever of my new design.  
FIG. 2 is a right side elevation view thereof.  
FIG. 3 is a back elevation view thereof.  
FIG. 4 is a left side elevation view thereof.  
FIG. 5 is a top plan view thereof.  
FIG. 6 is a top right front perspective view thereof.  
FIG. 7 is a top left front perspective view thereof.  
FIG. 8 is a front bottom perspective view thereof; and,  
FIG. 9 is a rear bottom perspective view thereof.  
The dashed line elements are included for the purposes of illustrating unclaimed portions of the structure of the control lever and form no part of the claimed design. The bottom surface of the control lever grip, as shown in FIGS. 8 and 9, is unclaimed.

**1 Claim, 9 Drawing Sheets**



(56)

**References Cited**

## U.S. PATENT DOCUMENTS

D727,129 S \* 4/2015 Robinson ..... D8/83  
D758,949 S \* 6/2016 Tran ..... D12/345  
D771,152 S 11/2016 Rush  
D829,211 S \* 9/2018 Barbieri ..... D14/412  
D844,514 S \* 4/2019 Wagner ..... D12/179  
D869,931 S \* 12/2019 Dulley ..... D8/308  
D875,003 S \* 2/2020 Duncan ..... D12/179  
D878,258 S \* 3/2020 Gibson ..... D12/179  
D897,815 S \* 10/2020 Hsieh ..... D8/107  
D904,252 S \* 12/2020 Duncan ..... D12/174  
D904,852 S \* 12/2020 Levand ..... D8/107  
D919,398 S \* 5/2021 Tilly ..... D8/83  
D921,891 S \* 6/2021 Milella, Jr. .... D24/133  
D925,326 S \* 7/2021 Levand ..... D8/107  
D935,000 S \* 11/2021 Zhen ..... D23/250  
2009/0200116 A1 8/2009 Wiggins et al.  
2012/0050670 A1\* 3/2012 Nakahara ..... A61B 3/12  
351/206  
2016/0179128 A1\* 6/2016 Guglielmo ..... B66F 17/006  
182/19  
2017/0139437 A1\* 5/2017 Miyachi ..... F16H 59/02  
2017/0293317 A1\* 10/2017 Kosaka ..... G05G 1/04

\* cited by examiner

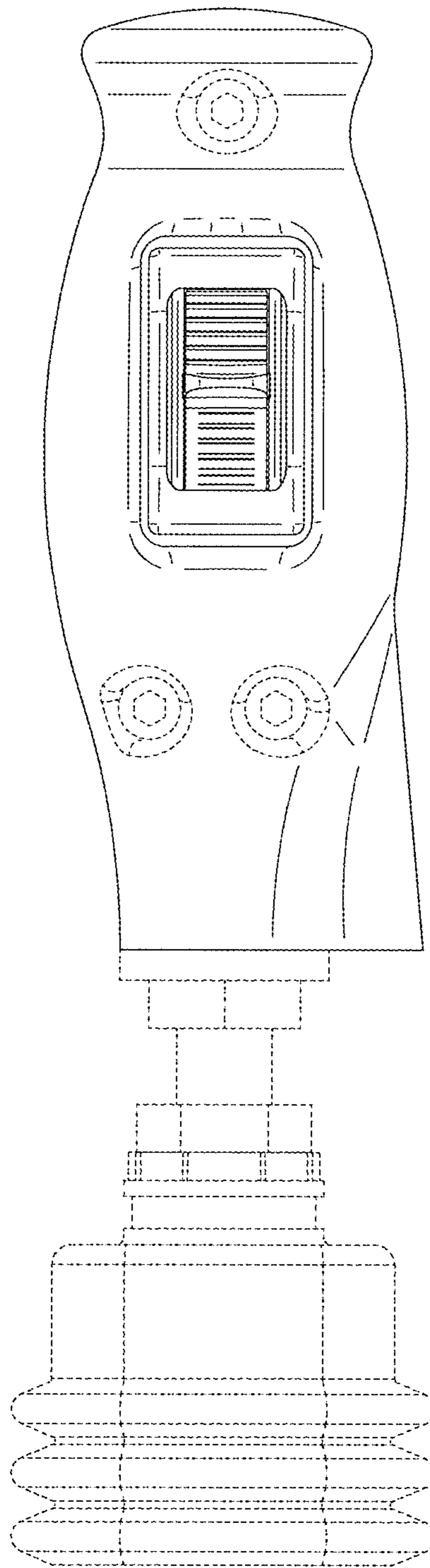


FIG. 1

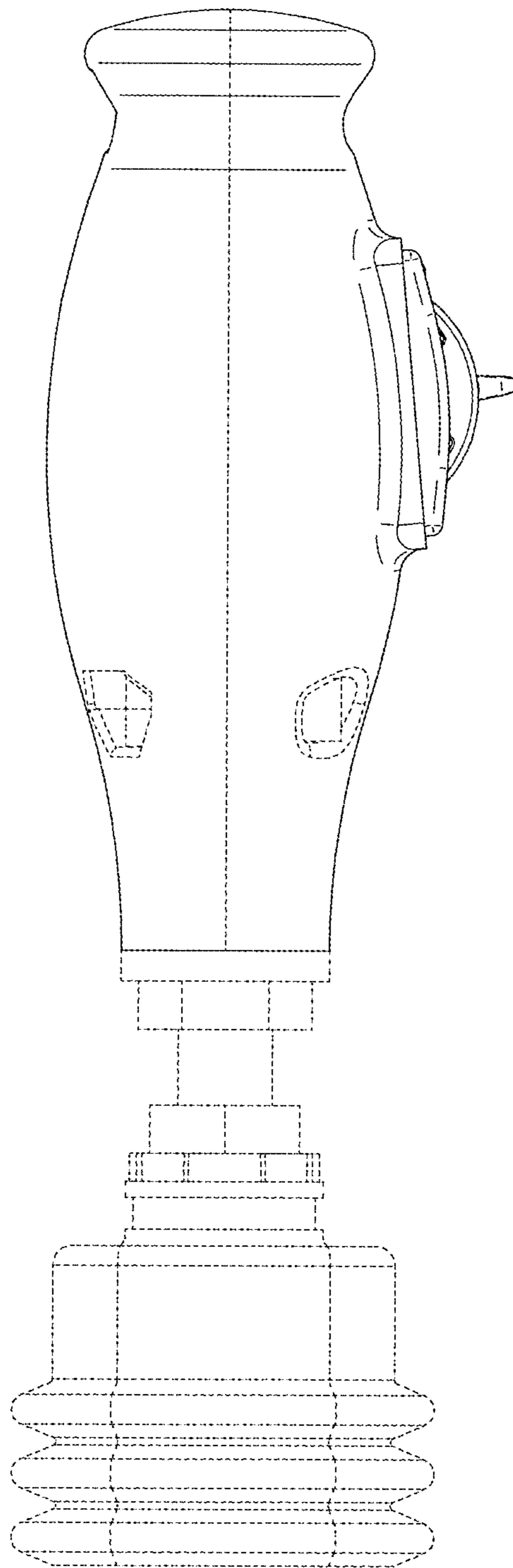


FIG. 2

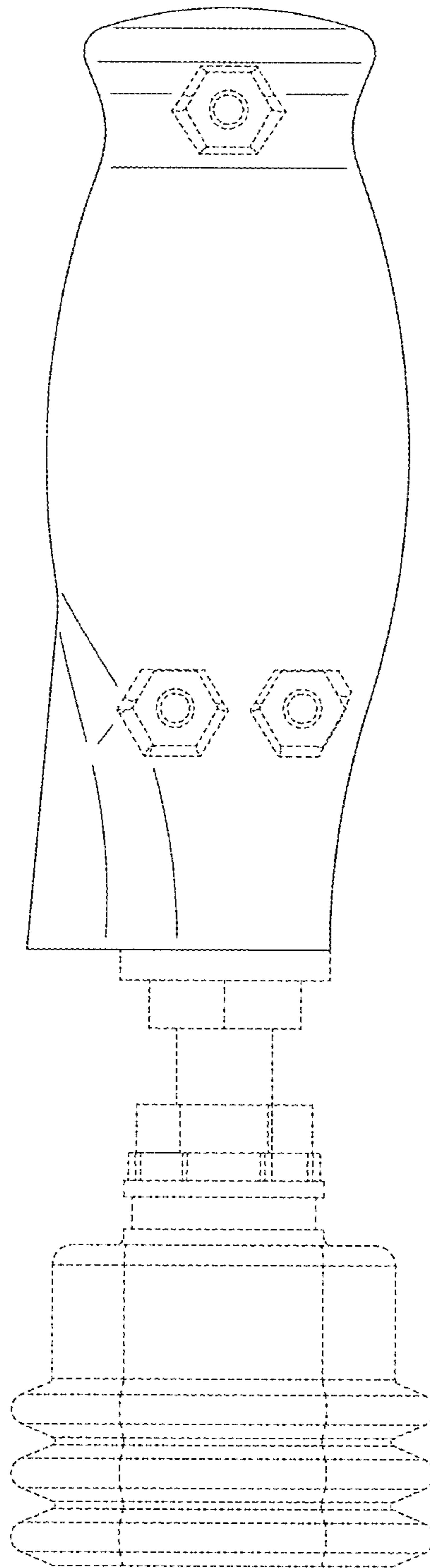


FIG. 3

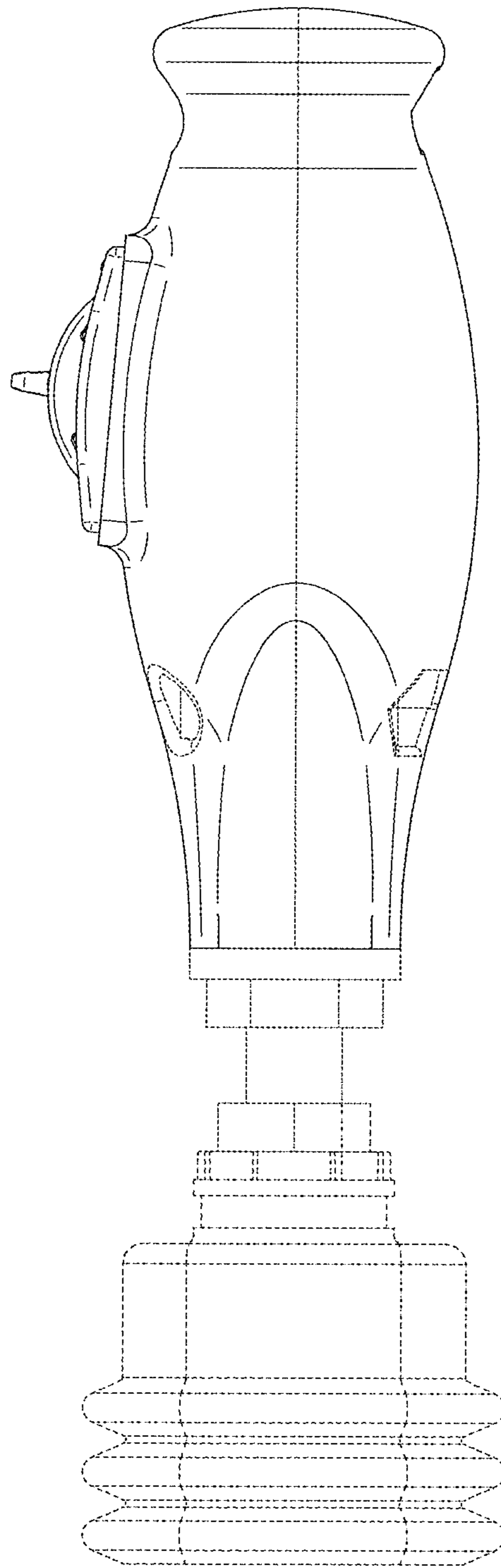


FIG. 4

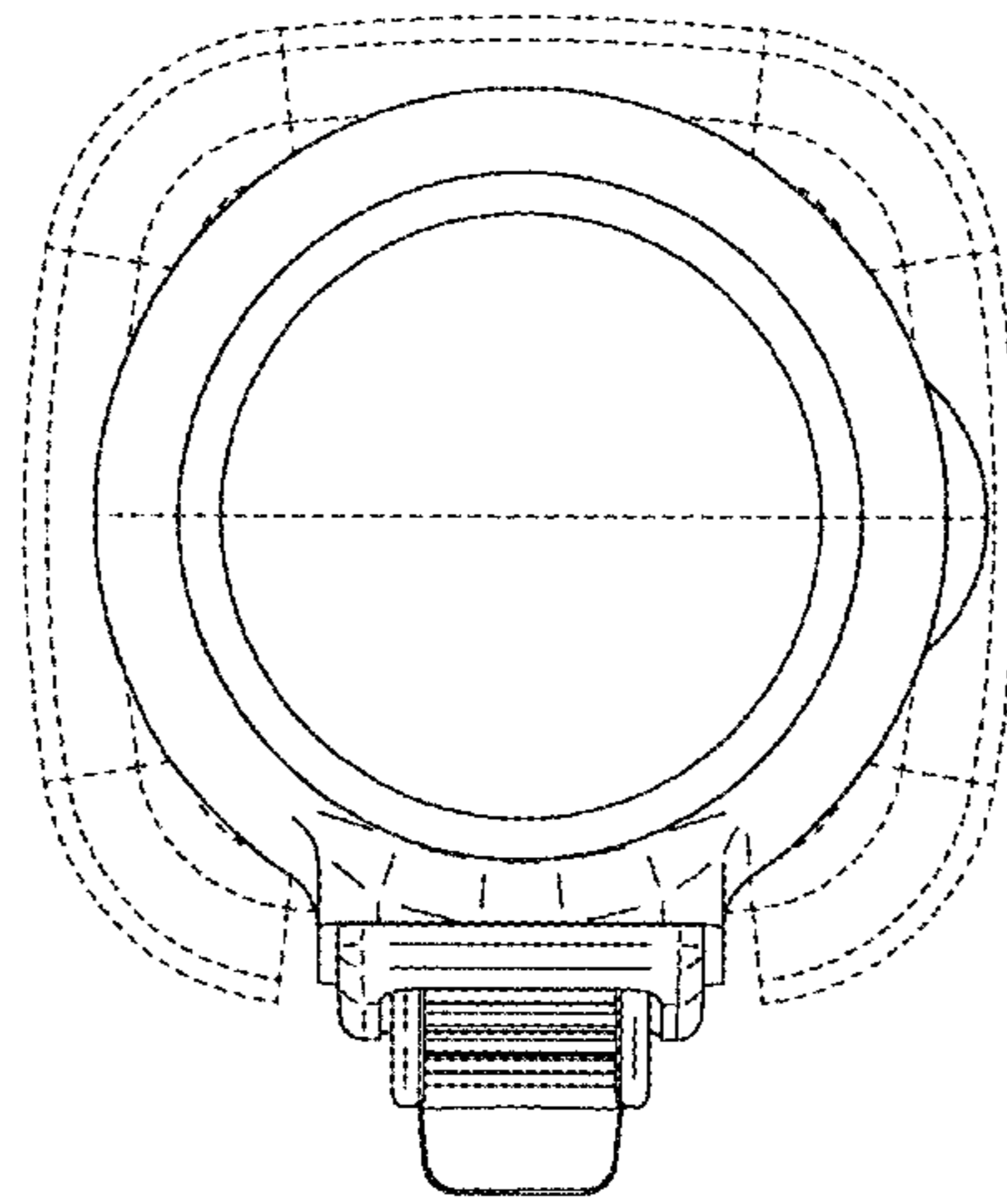


FIG. 5

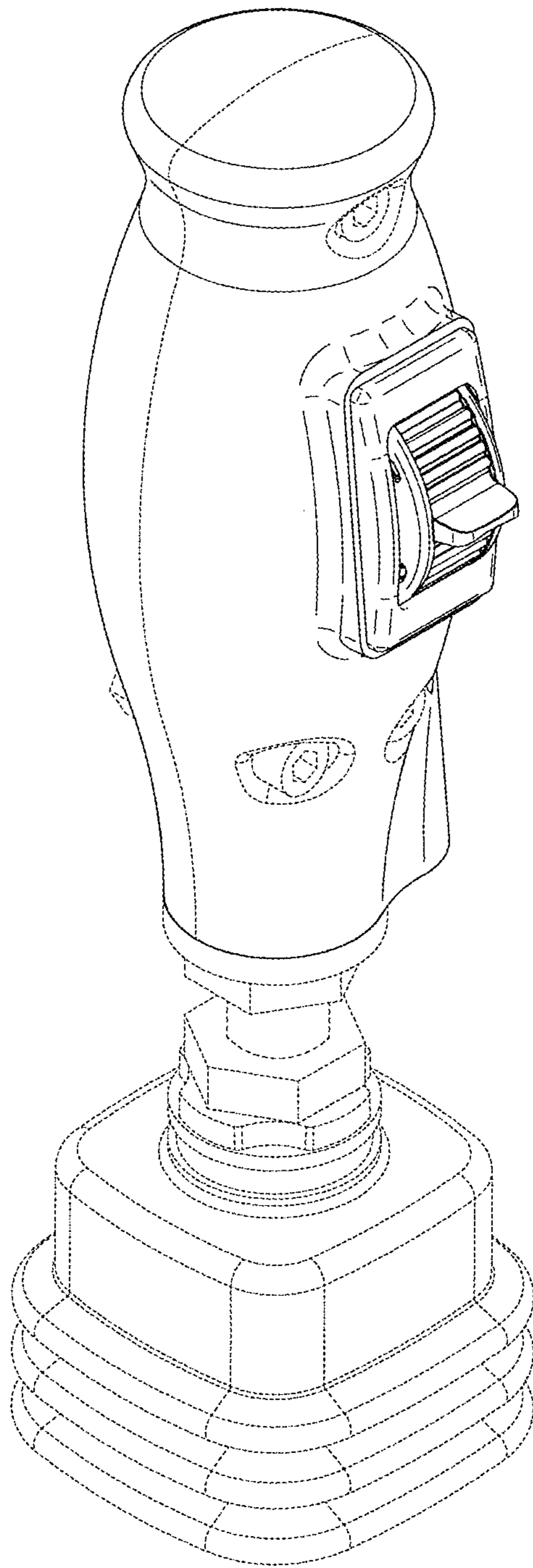


FIG. 6



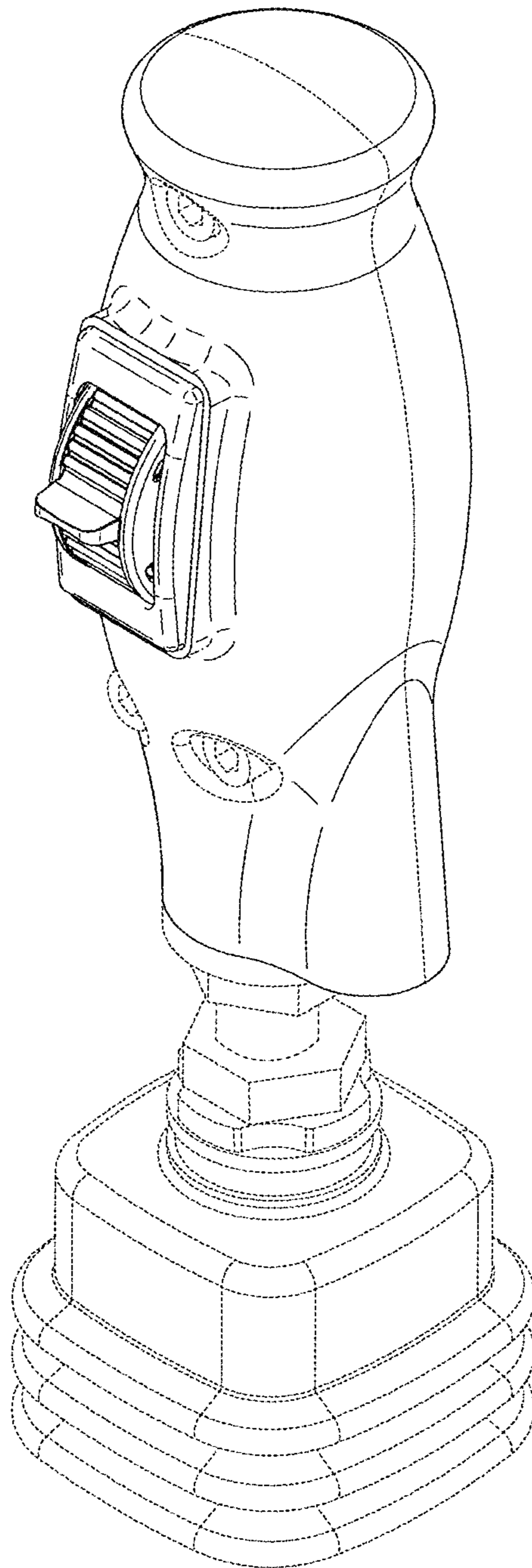


FIG. 7

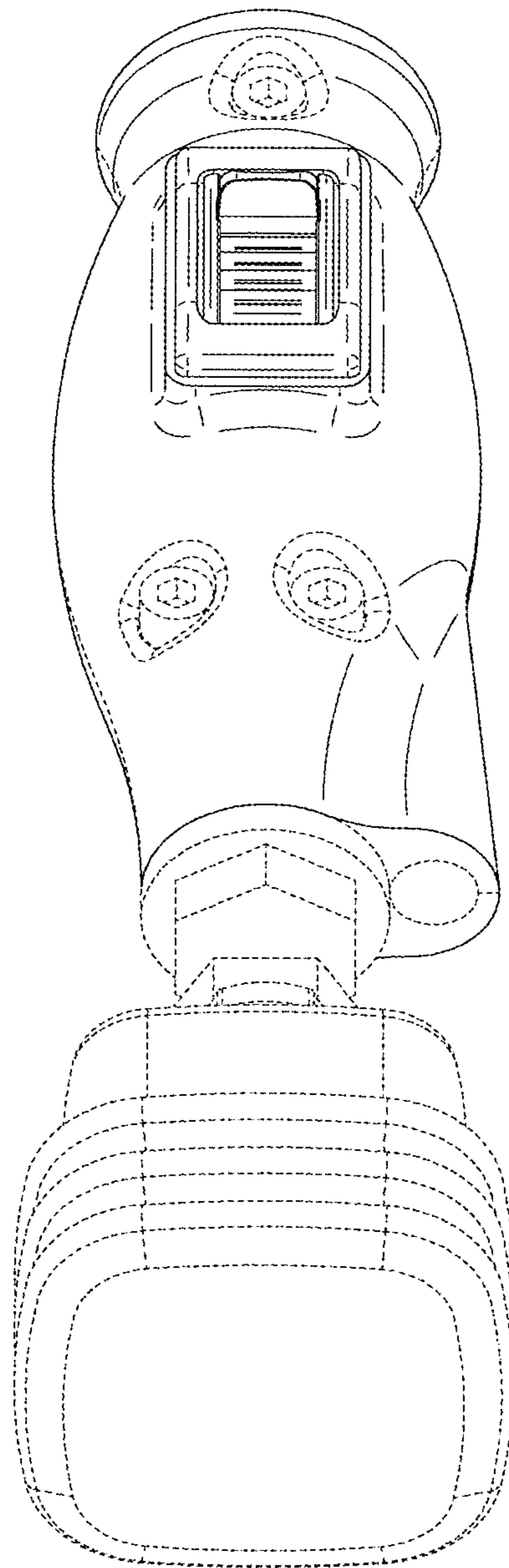


FIG. 8

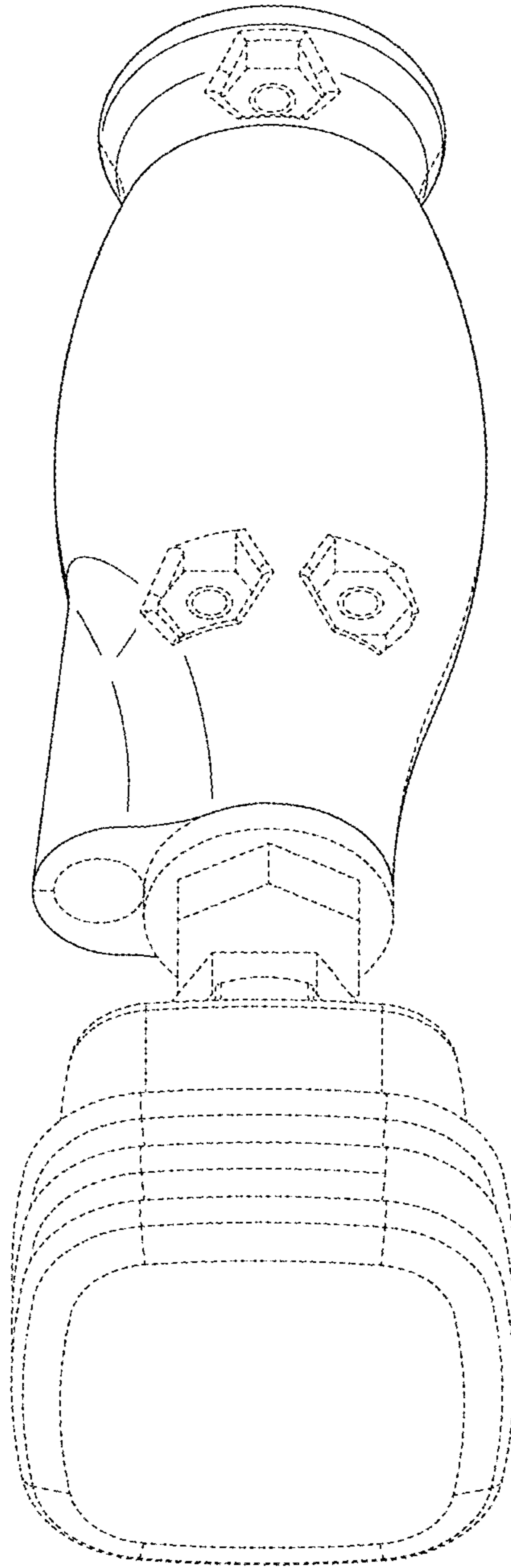


FIG. 9