



US00D944814S

(12) **United States Design Patent**
Huber et al.

(10) **Patent No.:** **US D944,814 S**
(45) **Date of Patent:** **** Mar. 1, 2022**

(54) **MOBILE COMMUNICATIONS DEVICE ATTACHMENT WITH MIRROR**

CPC G06K 7/04; G06K 7/1404; G06K 7/1447;
G06K 7/10396; G06K 7/0004; G06K
7/0017; G06K 7/002; G06K 7/10881;
G06K

(71) Applicant: **Standard Cyborg, Inc**, San Francisco, CA (US)

(Continued)

(72) Inventors: **Jeffrey Huber**, San Francisco, CA (US); **Kirill Chepizhko**, San Francisco, CA (US)

(56) **References Cited**

U.S. PATENT DOCUMENTS

(73) Assignee: **Standard Cyborg, Inc**, San Francisco, CA (US)

D299,028 S * 12/1988 Hermann D10/31
D299,463 S * 1/1989 Hermann D10/31

(Continued)

(**) Term: **15 Years**

OTHER PUBLICATIONS

(21) Appl. No.: **29/679,023**

“3D Scanner for iPhone X XR XS Max”, Thingiverse website, <https://www.thingiverse.com/thing:3195908>, Nov. 4, 2018 (accessed Feb. 4, 2019).

(22) Filed: **Jan. 31, 2019**

(Continued)

(51) **LOC (13) Cl.** **14-02**

(52) **U.S. Cl.**
USPC **D14/453**

(58) **Field of Classification Search**

USPC D14/420, 426–430, 453, 346, 341, 347, D14/412, 498, 507, 371, 344, 125–129, D14/138 R–138 G, 496, 510; D13/107, D13/184; 358/473; 235/462.43, 462.45, 235/462.47, 462.48, 462.44, 462.46, 487, 235/472.01, 472.02, 440, 486, 462.01, 235/462.15, 462.21, 412, 462.11, 462.49, 235/385, 454, 435, 439–441, 375, 444, 235/456, 459, 462.14, 462.17, 462.2, 490, 235/494, 476, 462.22, 462.32, 462.35; 16/110.1, 430, 431; 439/133, 135; 709/219, 201; 710/73; 320/114, 115, 320/123; 361/679, 679.03; 382/313, 382/321, 318; 455/575.1, 561, 572, 455/575.6; 705/17, 14.64, 14.65, 21; 341/20; 362/103, 157, 158, 171–174, 362/183–208; 250/370.8, 370.1, 215, 250/216, 566; 348/E5.137, E5.143, 348/E9.026; 345/179, 156; 463/36; 14/2; 73/702; 600/300, 485; D3/218; 224/267, 575; 340/5.92; D24/186, 158; D10/65, 57, 81, 78, 98, 70; D26/37–50, D26/24; 396/427

Primary Examiner — Susan Moon Lee
(74) *Attorney, Agent, or Firm* — Cognition IP, P.C.; Edward Steakley

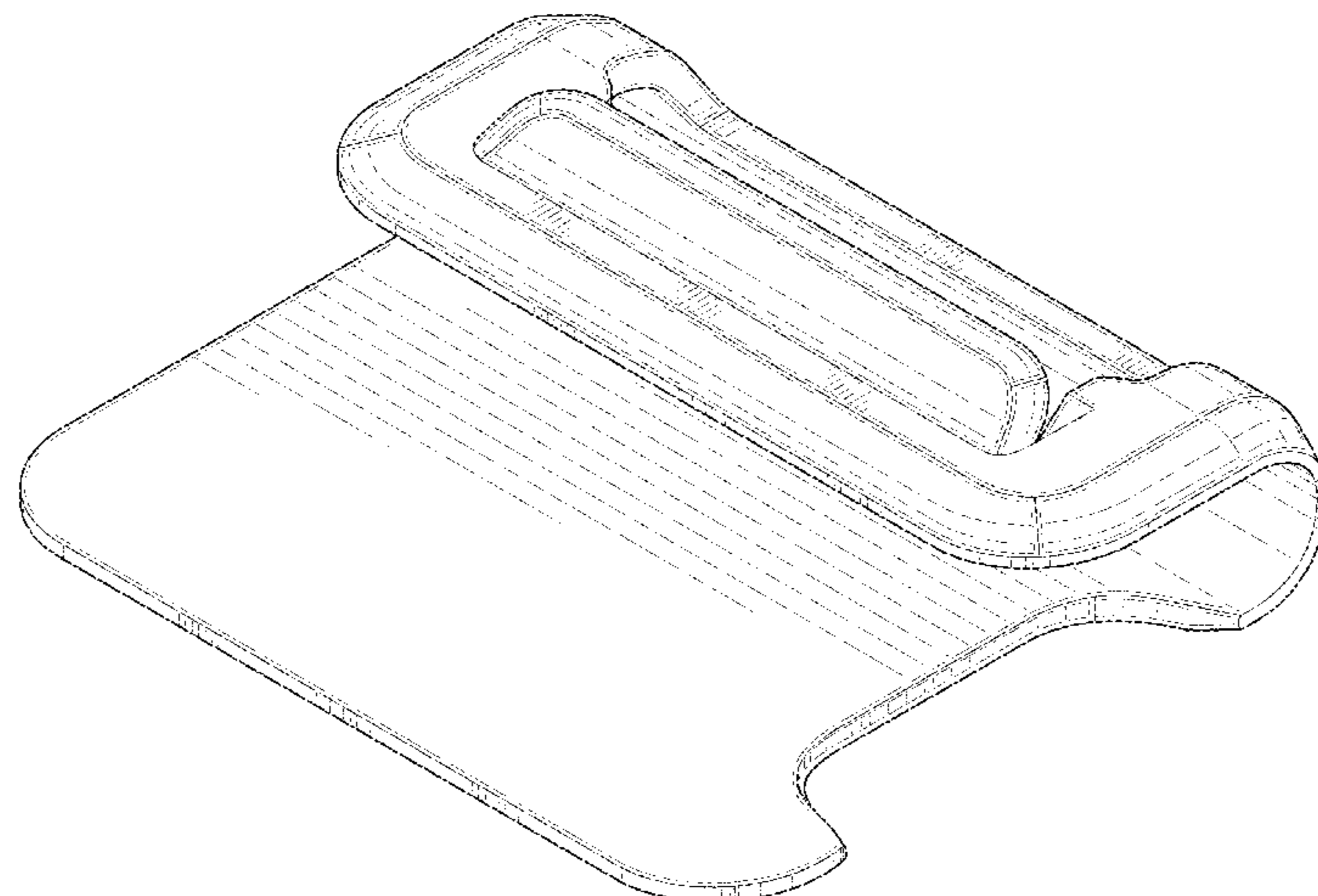
(57) **CLAIM**

The ornamental design for a mobile communications device attachment with mirror, as shown and described.

DESCRIPTION

FIG. 1 is a top perspective view of a mobile communications device attachment with mirror showing my new design; FIG. 2 is a front elevation view thereof; FIG. 3 is a rear elevation view thereof; FIG. 4 is a right side elevation view thereof; FIG. 5 is a left side elevation view thereof; FIG. 6 is a top plan view thereof; and, FIG. 7 is a bottom plan view thereof.

1 Claim, 5 Drawing Sheets



(58) **Field of Classification Search**

CPC .. 7/10386; G06K 7/10009; G06K 7/01; G06K 7/10891; G06K 7/10544-1099; G06K 2007/10524; G06K 2007/10534; G06F 1/163; G06F 1/1698; G06F 1/1684; G06F 2203/0331; G06Q 20/204; G06Q 20/208; G06Q 20/30; G06Q 20/322; G06Q 20/203; G06Q 20/343; A45F 5/00; A45F 2005/002; A45F 2005/008; A45F 2200/0516; A45F 2200/0525; A45F 2200/0533; A45F 2200/0508; H04N 5/74; H04N 9/3129; H04N 9/3141; H01H 2009/0221; A47F 9/046; A47F 9/047; G07G 1/0045; G04N 5/23238; G04N 5/2252; G04N 5/2251; G03B 17/02; B25H 5/00; B66F 7/28; G02B 26/10; G02B 26/106; G07F 11/002; G07F 11/02

See application file for complete search history.

(56) **References Cited**

U.S. PATENT DOCUMENTS

5,191,197 A * 3/1993 Metlitsky G06K 7/10564
235/462.44
5,587,577 A * 12/1996 Schultz G06K 7/10881
235/462.44
D377,348 S * 1/1997 Karlin 14/2
D384,048 S * 9/1997 Myers D14/411
5,808,289 A * 9/1998 Becker G06K 7/10891
235/462.01
6,003,774 A * 12/1999 Bard G04B 37/0016
235/462.45
D454,551 S * 3/2002 Bonadei D10/31
D554,641 S * 11/2007 Miller D14/427
D601,151 S * 9/2009 Morris D14/453
7,764,488 B2 * 7/2010 Calvarese G06F 1/163
361/679.03
7,837,112 B2 * 11/2010 An G06K 7/10891
235/462.44
D634,435 S * 3/2011 Chua D24/186
7,942,326 B2 * 5/2011 Miller G06K 7/10386
235/440
7,959,084 B2 * 6/2011 Wulff G06K 17/0022
235/472.02
D654,597 S * 2/2012 Hiramura D24/186
8,196,787 B2 * 6/2012 Strandberg A45F 3/14
224/217
8,260,384 B2 * 9/2012 Wulff A45F 5/00
455/575.6
D673,953 S * 1/2013 Li D14/411
D689,862 S * 9/2013 Liu D14/402

9,679,180 B2 * 6/2017 Lim G06K 7/10544
D832,844 S * 11/2018 Lim D14/427
D833,438 S * 11/2018 Lim D14/427
D883,287 S * 5/2020 Sieckowski D14/428
10,726,222 B2 * 7/2020 Oberpriller G06K 7/1413
D896,224 S * 9/2020 Sieckowski D14/428
10,789,436 B1 * 9/2020 Lim G06K 7/10891
10,810,412 B2 * 10/2020 Khade G06F 3/04883
D918,914 S * 5/2021 Lim D14/427
2002/0000470 A1 * 1/2002 Lanzaro G06F 1/163
235/462.45
2002/0030094 A1 * 3/2002 Curry G06K 17/00
235/375
2006/0289771 A1 * 12/2006 White G06K 7/10891
250/370.1
2008/0054039 A1 * 3/2008 Wulff A45F 5/00
224/575
2008/0078837 A1 * 4/2008 Morris G06K 7/10891
235/462.44
2008/0078838 A1 * 4/2008 Morris G06K 7/10891
235/462.44
2008/0097724 A1 * 4/2008 Morris G06F 1/163
702/187
2010/0176166 A1 * 7/2010 Siagri A44C 5/0007
224/271
2011/0090148 A1 * 4/2011 Li G06F 3/0354
345/158
2011/0175705 A1 * 7/2011 Bellows H04B 17/103
340/10.1
2013/0114232 A1 * 5/2013 Tsai G06F 1/1626
361/807
2014/0249944 A1 * 9/2014 Hicks G06Q 30/0281
705/17
2016/0063293 A1 * 3/2016 Sun G06K 7/10891
235/462.44
2016/0161301 A1 * 6/2016 Guenther A61B 5/6806
702/150
2016/0180132 A1 * 6/2016 Lim G06K 7/10544
235/462.45
2018/0167549 A1 * 6/2018 Lim G06K 7/10554
2018/0225489 A1 * 8/2018 Liou G06K 7/10891
2019/0196535 A1 * 6/2019 Paufler G06F 3/0346
2019/0251310 A1 * 8/2019 Oberpriller G06K 7/10881
2020/0097705 A1 * 3/2020 Khade G06K 9/00335
2020/0272801 A1 * 8/2020 Mistkawi G06K 7/1408
2020/0305522 A1 * 10/2020 Ruhland H02J 7/0042

OTHER PUBLICATIONS

True Depth Camera by LightCafe Lab; Twitter website, https://twitter.com/lightcafe_lab/status/1090943757585768448, Jan. 31, 2019; (accessed Feb. 4, 2019).

* cited by examiner

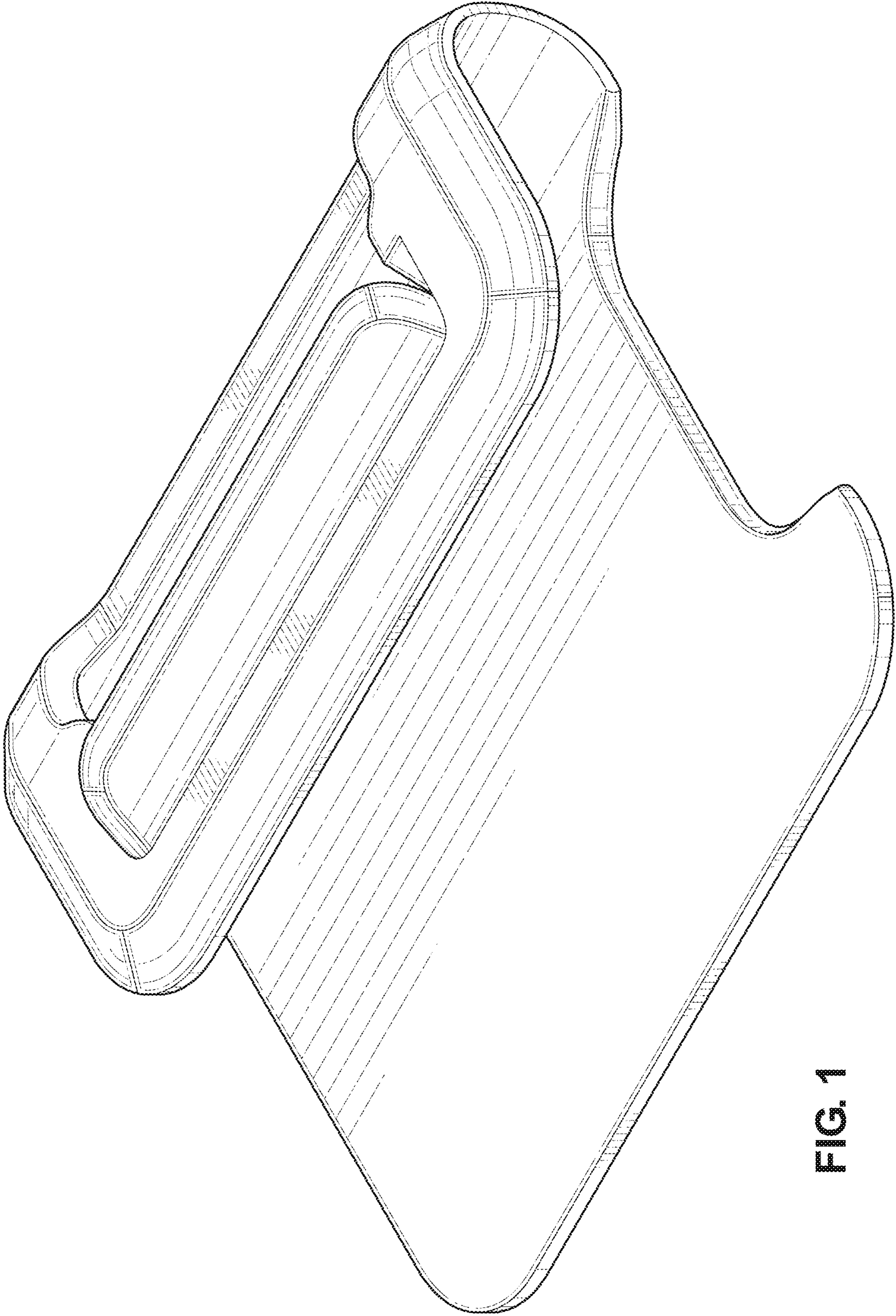


FIG. 1

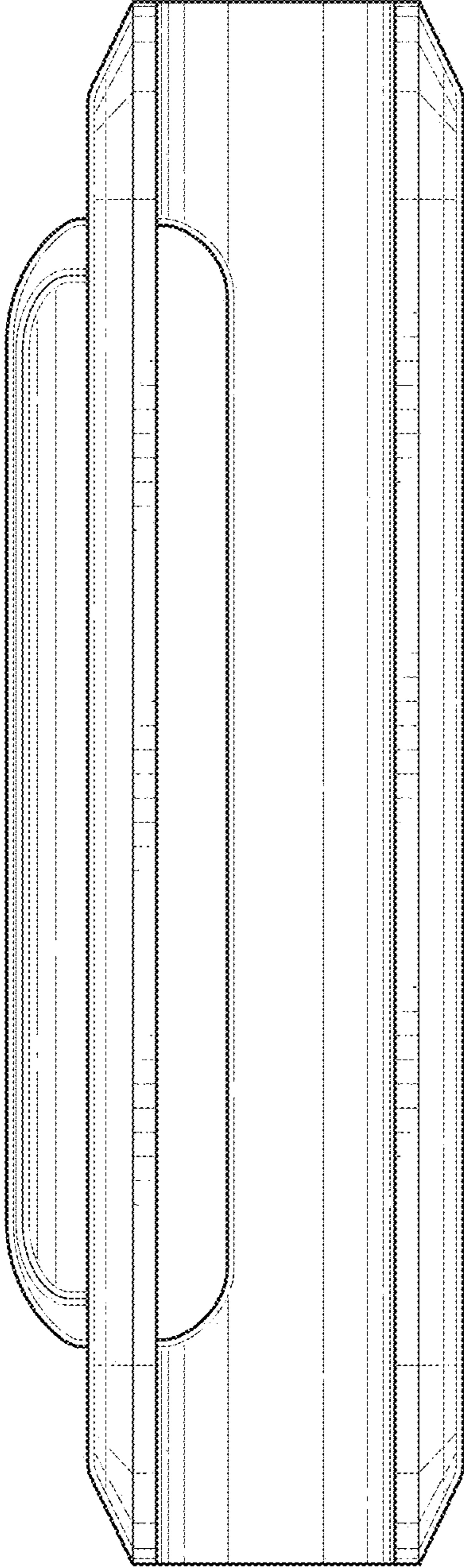


FIG. 2



FIG. 3

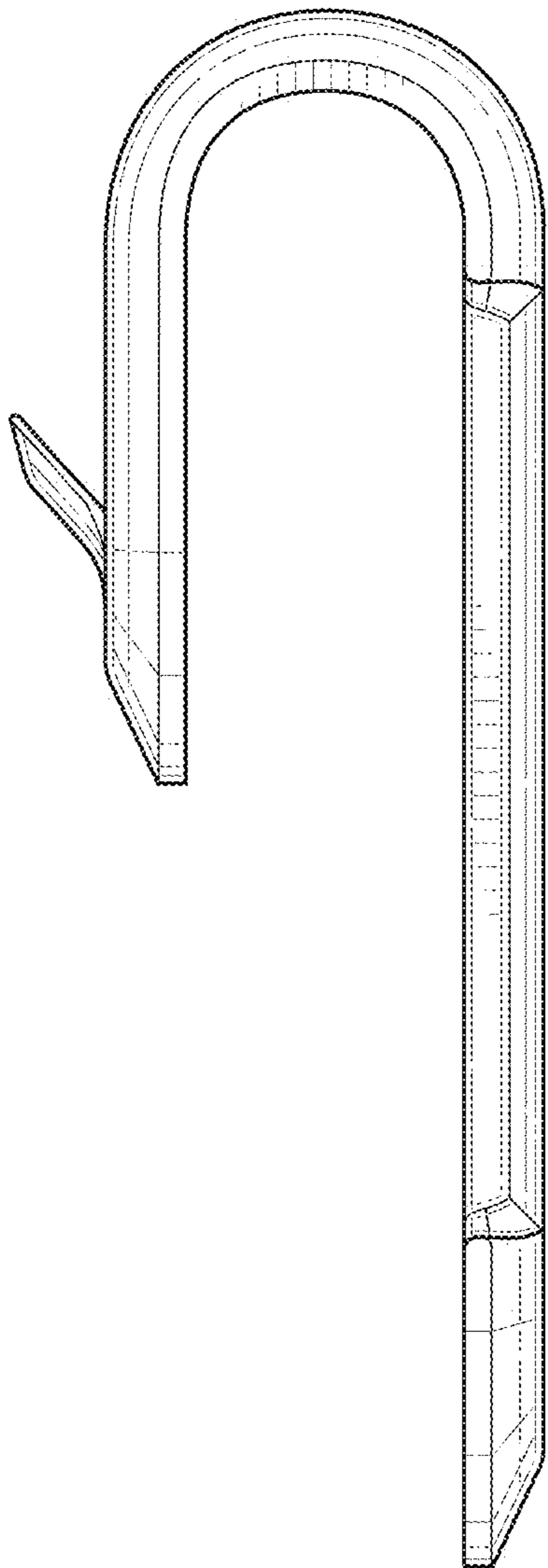


FIG. 4

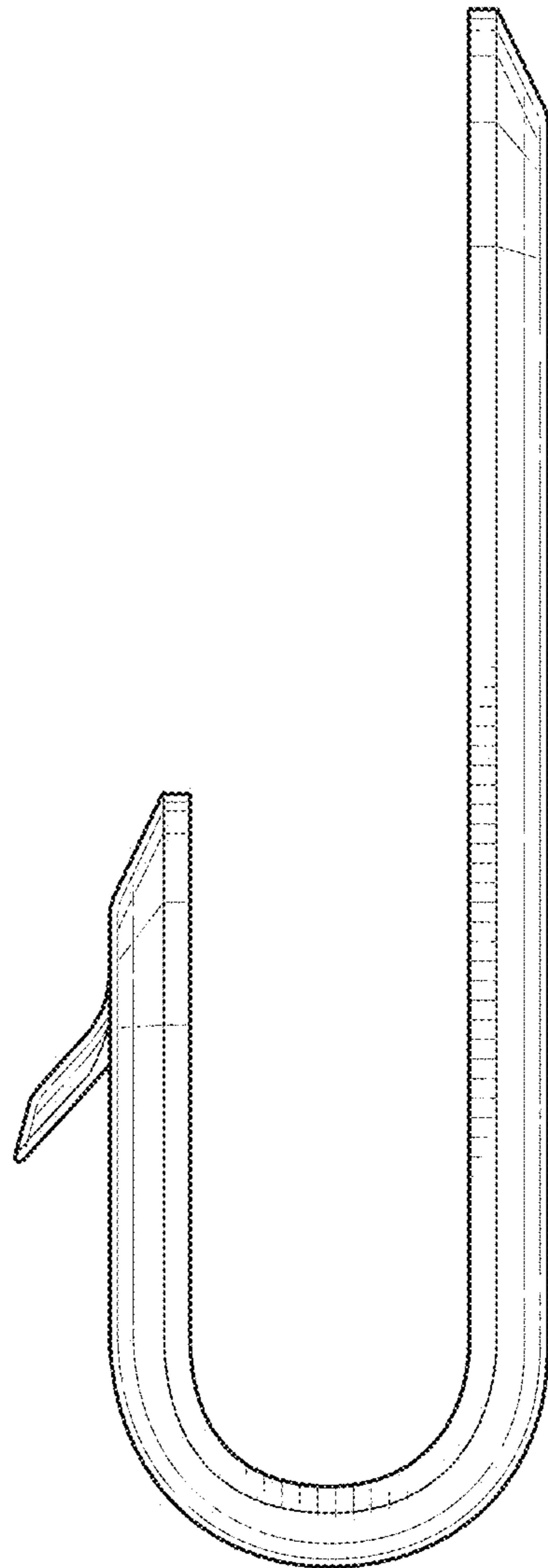


FIG. 5

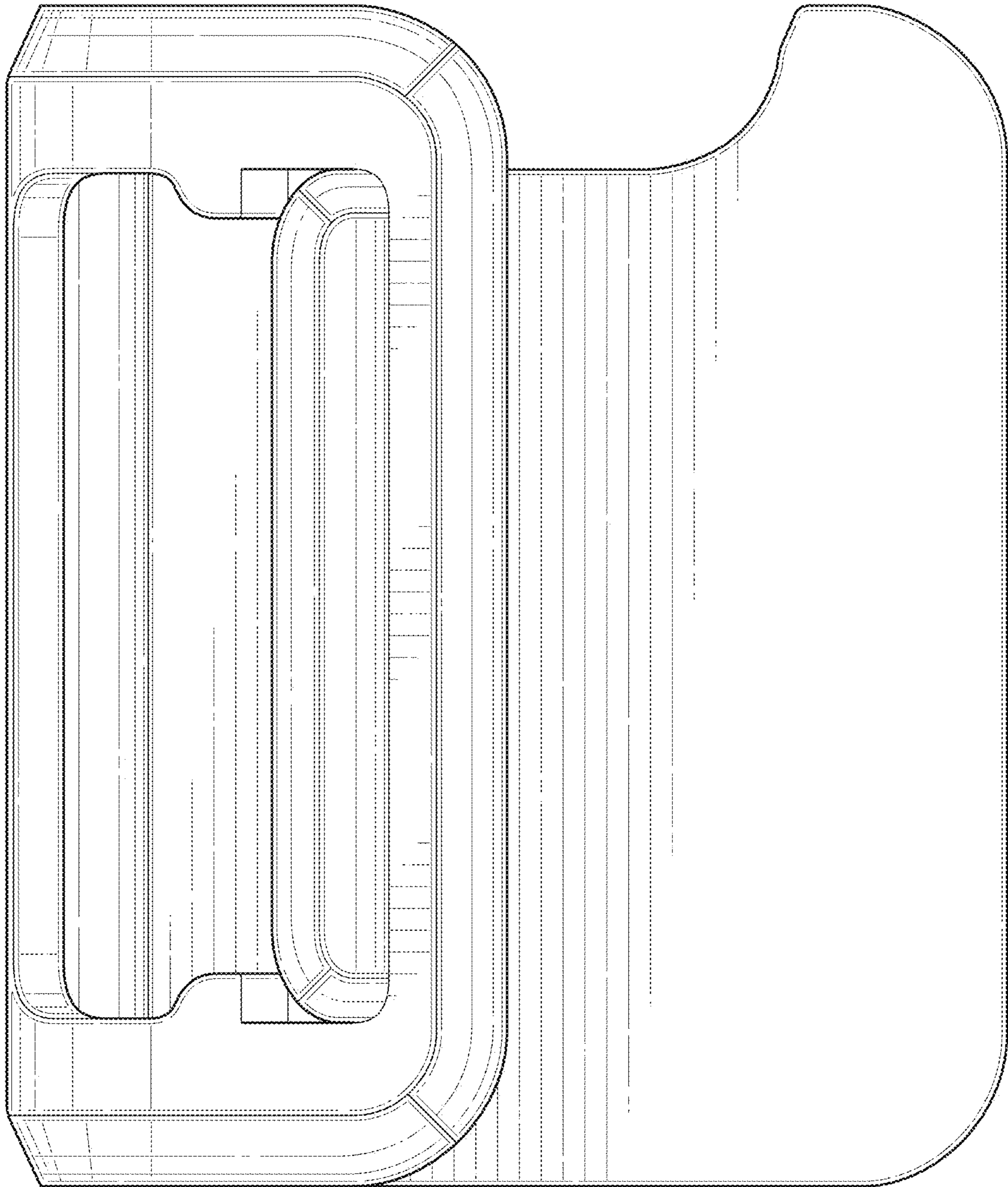


FIG. 6

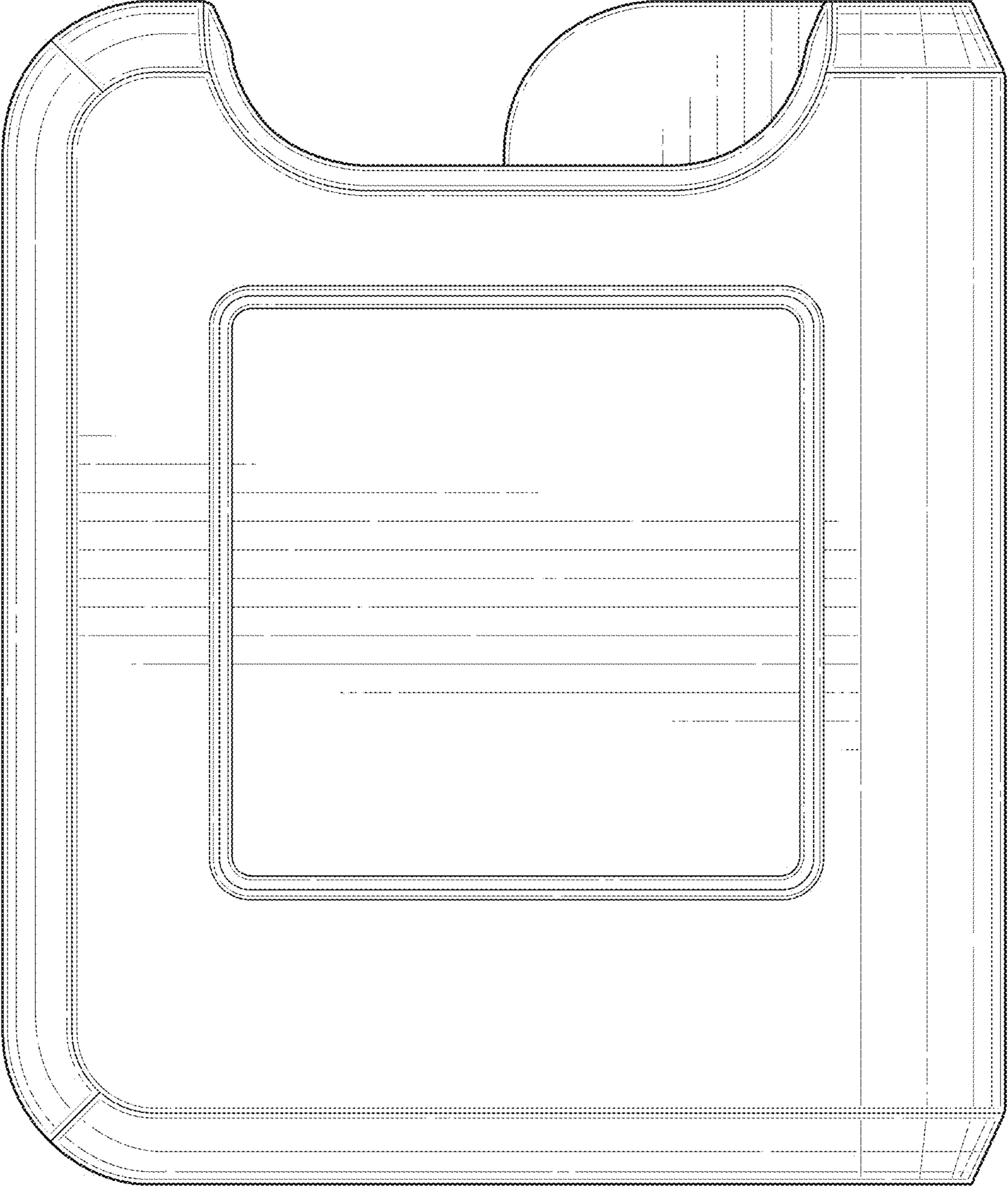


FIG. 7