



US00D944812S

(12) **United States Design Patent**
Zhang et al.

(10) **Patent No.:** **US D944,812 S**
(45) **Date of Patent:** **** Mar. 1, 2022**

- (54) **TABLET HOLDER**
- (71) Applicant: **Ugreen Group Limited**, Shenzhen (CN)
- (72) Inventors: **Qingsen Zhang**, Shenzhen (CN);
Junling Chen, Shenzhen (CN);
Fengyou Zhang, Shenzhen (CN)
- (**) Term: **15 Years**
- (21) Appl. No.: **29/761,340**
- (22) Filed: **Dec. 8, 2020**
- (51) **LOC (13) Cl.** **08-07**
- (52) **U.S. Cl.**
USPC **D14/447**
- (58) **Field of Classification Search**
USPC D14/447, 432, 434, 439, 440, 451, 452,
D14/457, 239, 253; D8/363, 373, 380;
D6/406.3, 406.4, 406.5, 406.6; D12/415;
D21/333, 332
CPC A47B 21/04; A47B 2097/006; A47B
2097/005; A47B 2023/049; A45C
2011/002; A45C 2011/003; F16M
2200/00; F16M 13/00
See application file for complete search history.

D737,829 S *	9/2015	Lee	D14/447
D747,322 S *	1/2016	Li	D14/447
D784,351 S *	4/2017	Akana	D14/447
D847,820 S *	5/2019	Pisapia	D14/447
D877,636 S *	3/2020	Haag	D10/98
D886,110 S *	6/2020	Akana	D14/447
D906,347 S *	12/2020	Yang	D14/447
D929,407 S *	8/2021	Mecchella	D14/434
D931,864 S *	9/2021	Zhang	D14/447
D932,497 S *	10/2021	Reyes	D14/447
D936,660 S *	11/2021	He	D14/447

* cited by examiner

Primary Examiner — Angela J Lee

(57) **CLAIM**

The ornamental design for a tablet holder, as shown and described.

DESCRIPTION

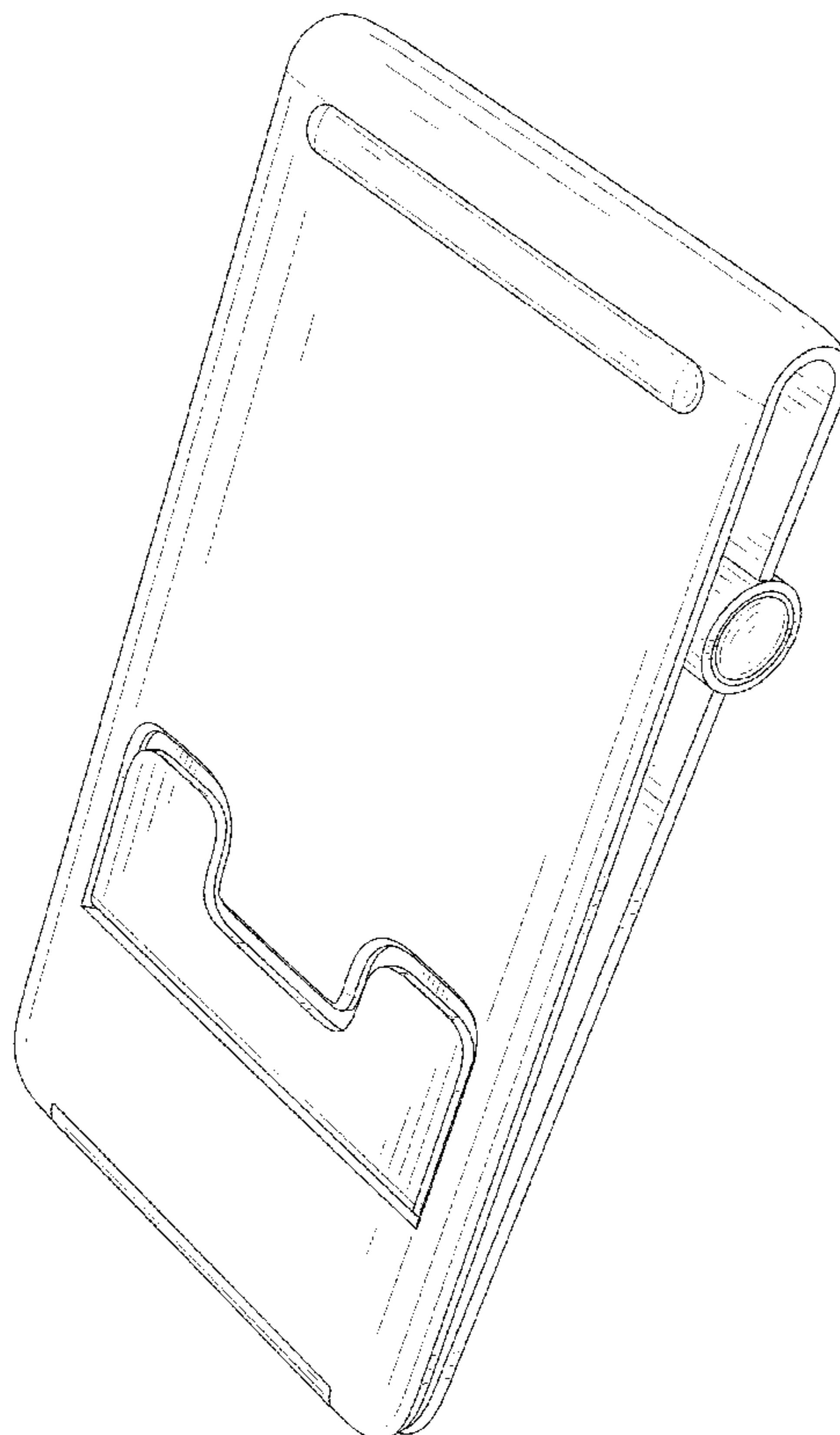
FIG. 1 is a front and top perspective view of a tablet holder, showing our new design;
 FIG. 2 is a rear and bottom perspective view thereof;
 FIG. 3 is a front elevational view thereof;
 FIG. 4 is a rear elevational view thereof;
 FIG. 5 is a left side elevational view thereof;
 FIG. 6 is a right side elevational view thereof;
 FIG. 7 is a top plan view thereof; and,
 FIG. 8 is a bottom plan view thereof.
 The broken lines in the figures illustrate portions of the article that form no part of the claimed design.

(56) **References Cited**

U.S. PATENT DOCUMENTS

D350,536 S *	9/1994	McKnight	D14/447
D591,517 S *	5/2009	Molenaar	D14/439

1 Claim, 8 Drawing Sheets



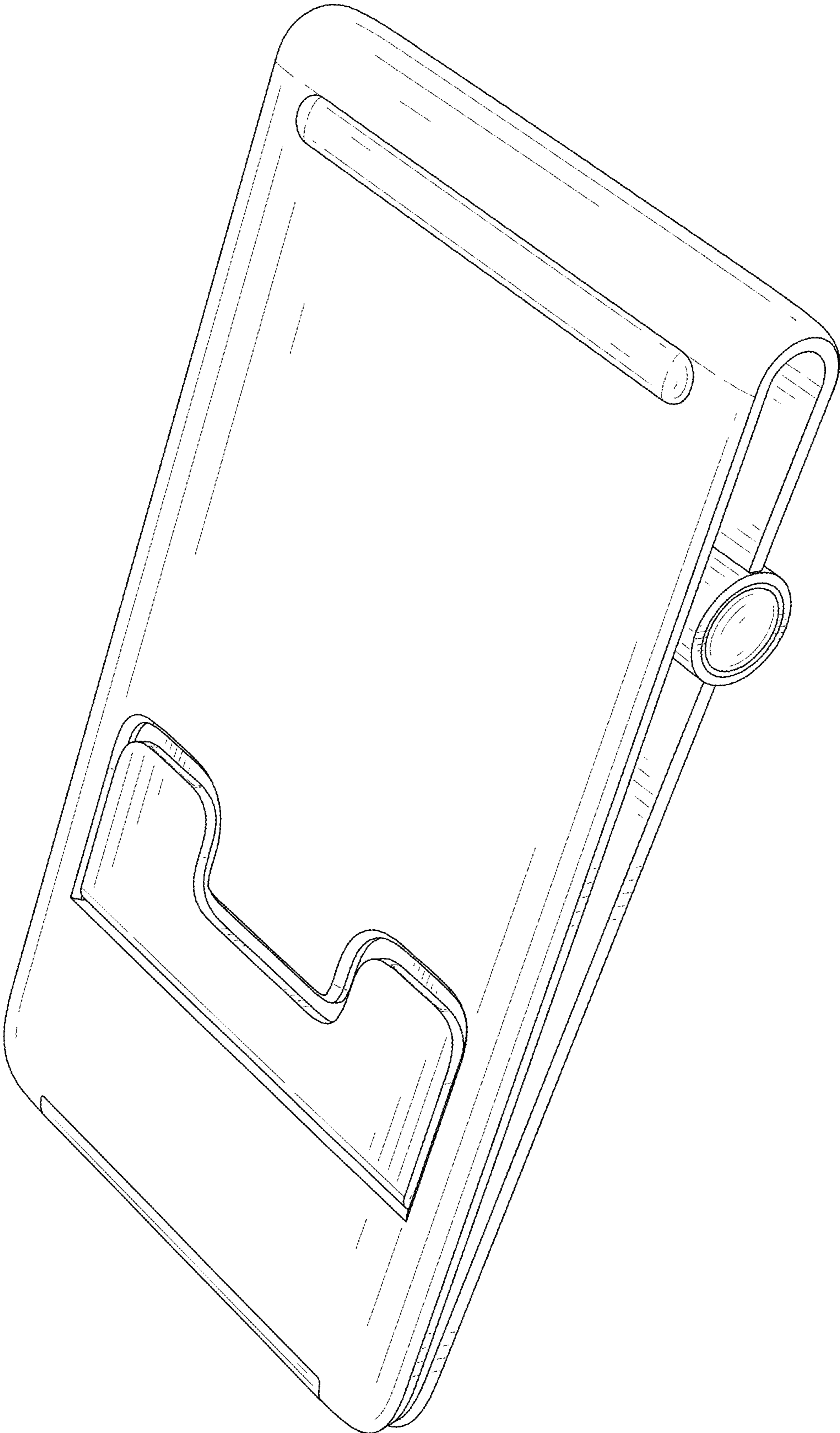


FIG. 1

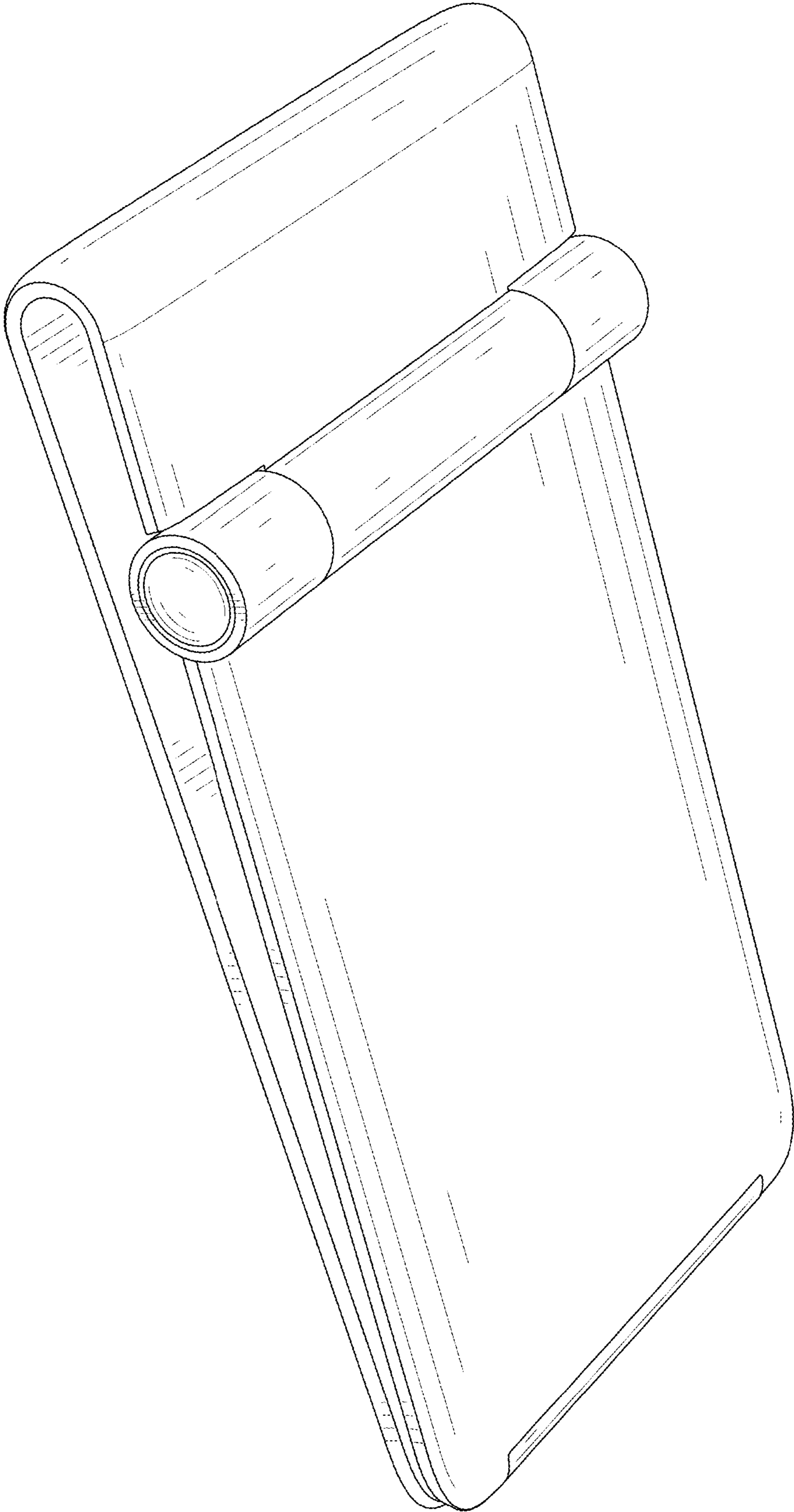


FIG. 2

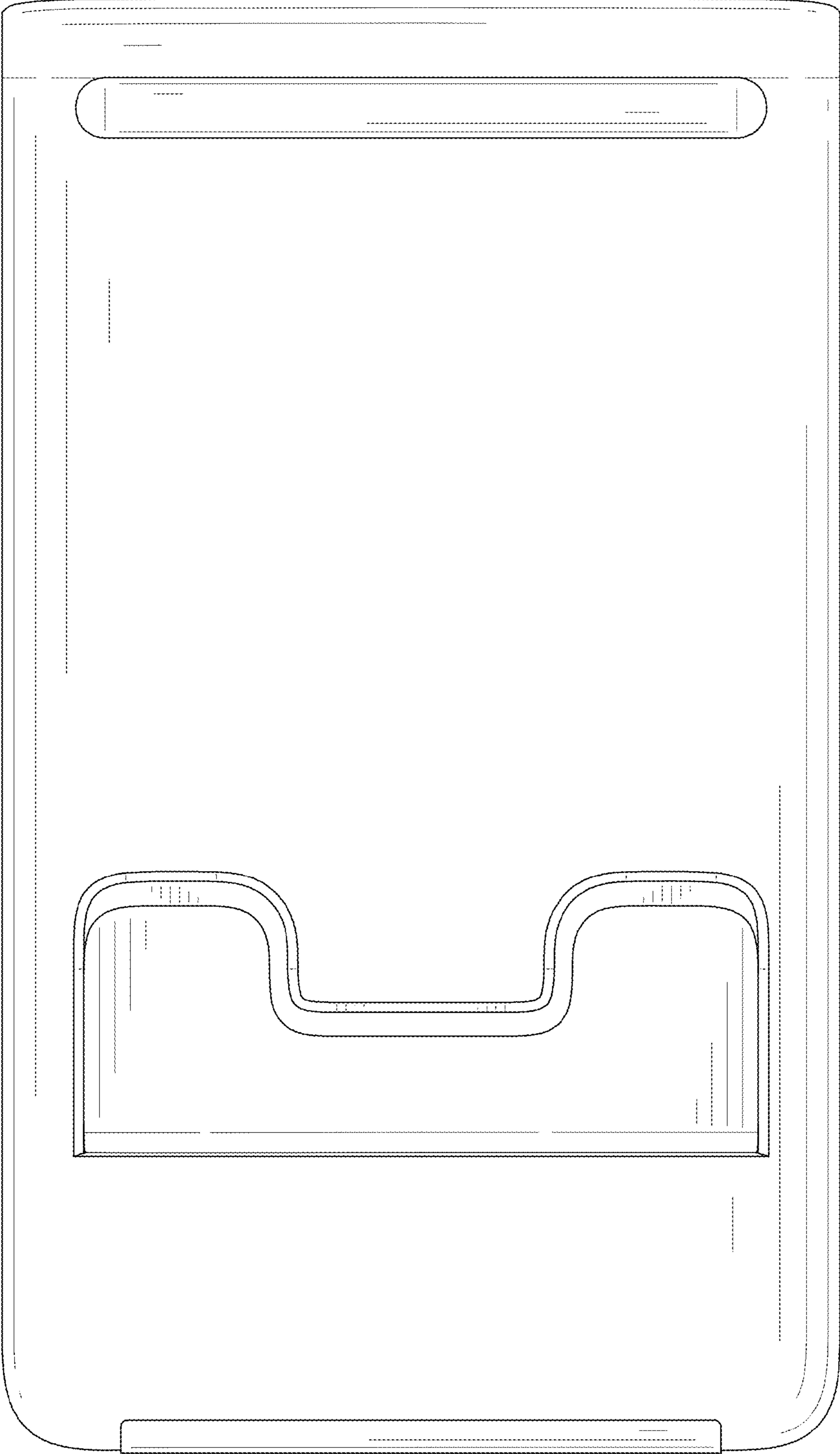


FIG. 3

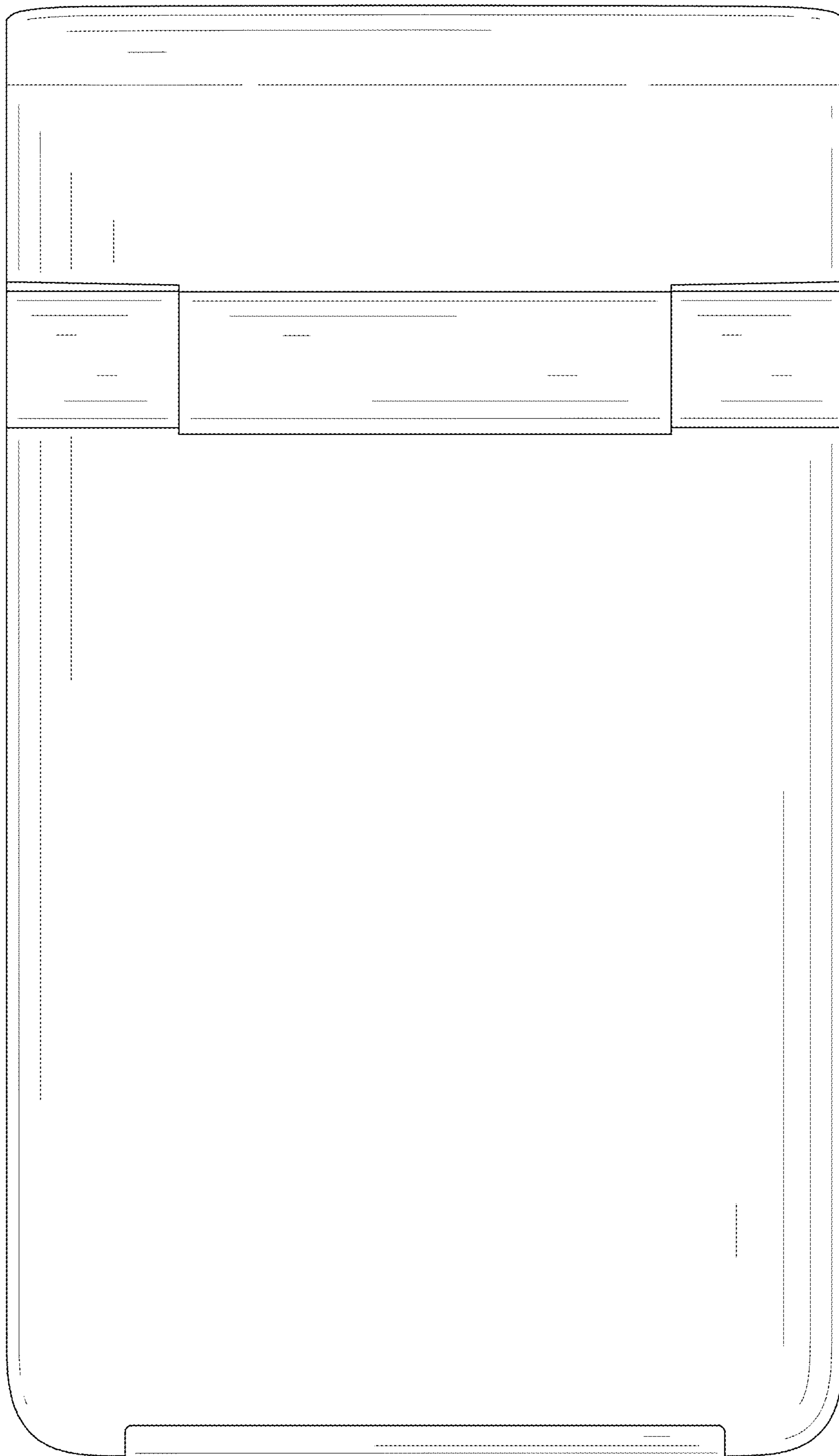


FIG. 4

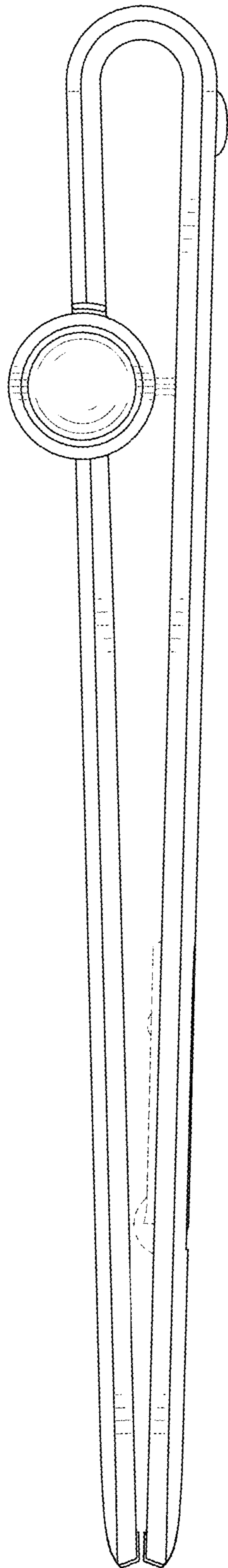


FIG. 5

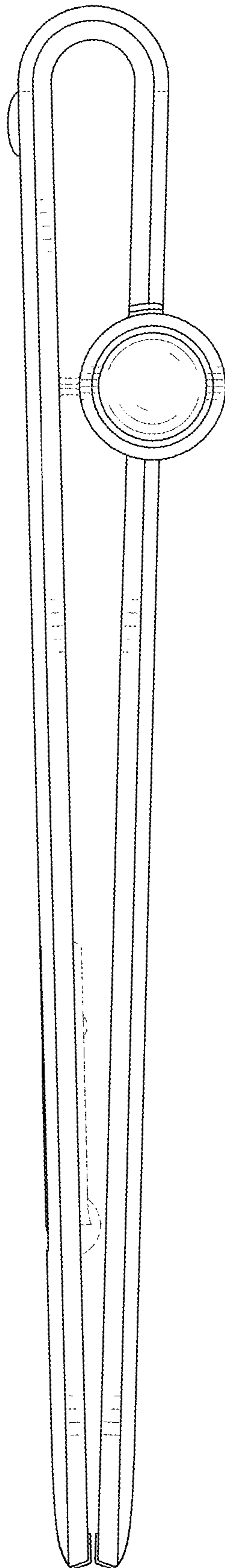


FIG. 6

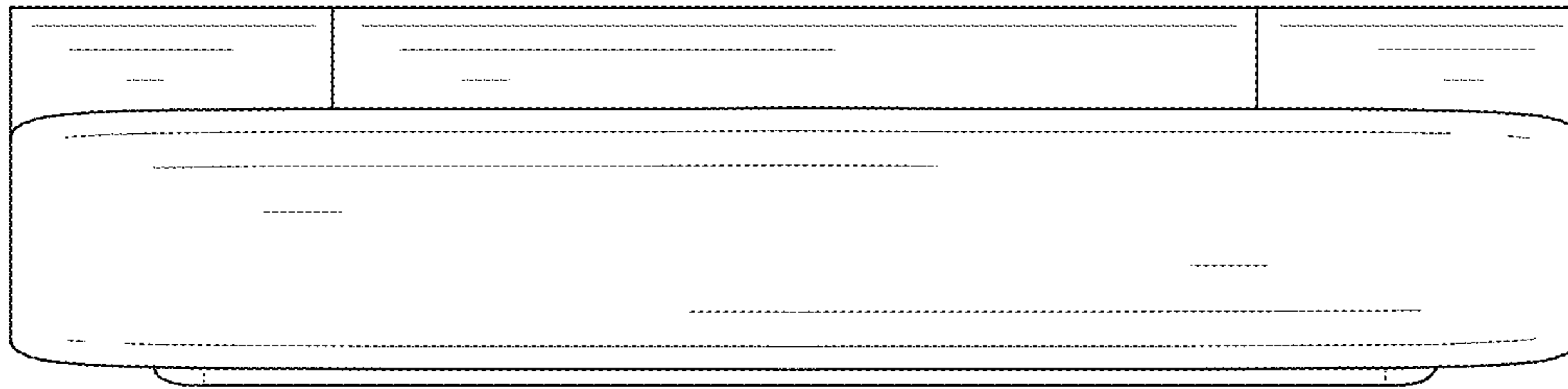


FIG. 7

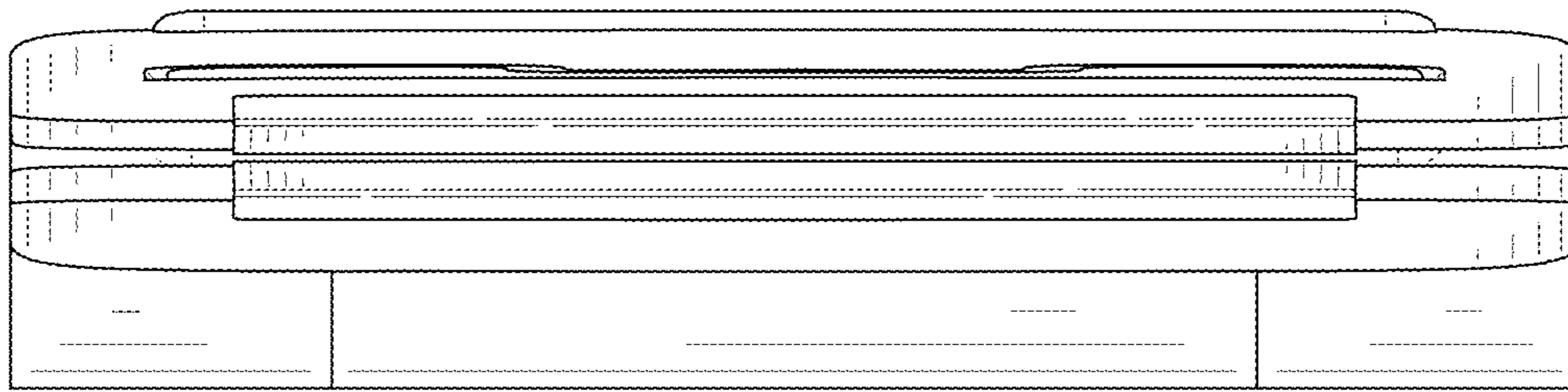


FIG. 8