



US00D944811S

(12) **United States Design Patent** (10) **Patent No.:** **US D944,811 S**
Kim et al. (45) **Date of Patent:** **** Mar. 1, 2022**

(54) **CRADLE FOR TABLET COMPUTER**
(71) Applicant: **WOONGJIN THINKBIG CO., LTD.**,
Paju-si (KR)
(72) Inventors: **Hyojin Kim**, Paju-si (KR); **Jeonguk Park**, Paju-si (KR); **Jurang Kim**,
Paju-si (KR); **Bonggyu Kim**, Paju-si
(KR); **Hyunjung Lee**, Paju-si (KR);
Changsun Oh, Paju-si (KR)
(73) Assignee: **WOONGJIN THINKBIG CO., LTD.**,
Paju-si (KR)

(**) Term: **15 Years**
(21) Appl. No.: **29/760,221**
(22) Filed: **Nov. 30, 2020**

(30) **Foreign Application Priority Data**
Oct. 6, 2020 (KR) 30-2020-0047873
(51) **LOC (13) Cl.** **08-07**
(52) **U.S. Cl.**
USPC **D14/447**
(58) **Field of Classification Search**
USPC D14/447, 432, 434, 439, 440, 451, 452,
D14/457, 239, 253, 250; D8/363, 373,
D8/380; D6/406.3, 406.4, 406.5, 406.6;
D12/415; D21/333, 332
CPC A47B 21/04; A47B 2097/006; A47B
2097/005; A47B 2023/049; A45C
2011/002; A45C 2011/003; F16M
2200/00; F16M 13/00

See application file for complete search history.

(56) **References Cited**
U.S. PATENT DOCUMENTS
D516,067 S * 2/2006 Hsieh D14/371
D595,714 S * 7/2009 Chu D14/371
D652,045 S * 1/2012 Hong D14/447
D690,306 S * 9/2013 Malisse D14/447
D714,775 S * 10/2014 Yoo D14/253
D731,497 S * 6/2015 Xiang D14/447
D763,263 S * 8/2016 Wierenga D14/434
D881,201 S * 4/2020 Lou D14/447
D896,234 S * 9/2020 Garrity, III D14/447
D904,387 S * 12/2020 Zhang D14/253
D931,863 S * 9/2021 Burmester D14/447

* cited by examiner
Primary Examiner — Angela J Lee
(74) *Attorney, Agent, or Firm* — NSIP Law

(57) **CLAIM**
We claim the ornamental design for a cradle for tablet computer, as shown and described.

DESCRIPTION
FIG. 1 is a front perspective view of a cradle for tablet computer showing our new design;
FIG. 2 is a front view thereof;
FIG. 3 is a rear view thereof;
FIG. 4 is a left-side view thereof;
FIG. 5 is a right-side view thereof;
FIG. 6 is a top view thereof; and,
FIG. 7 is a bottom view thereof.
The broken lines depict portions of the cradle for tablet computer that form no part of the claimed design.

1 Claim, 7 Drawing Sheets

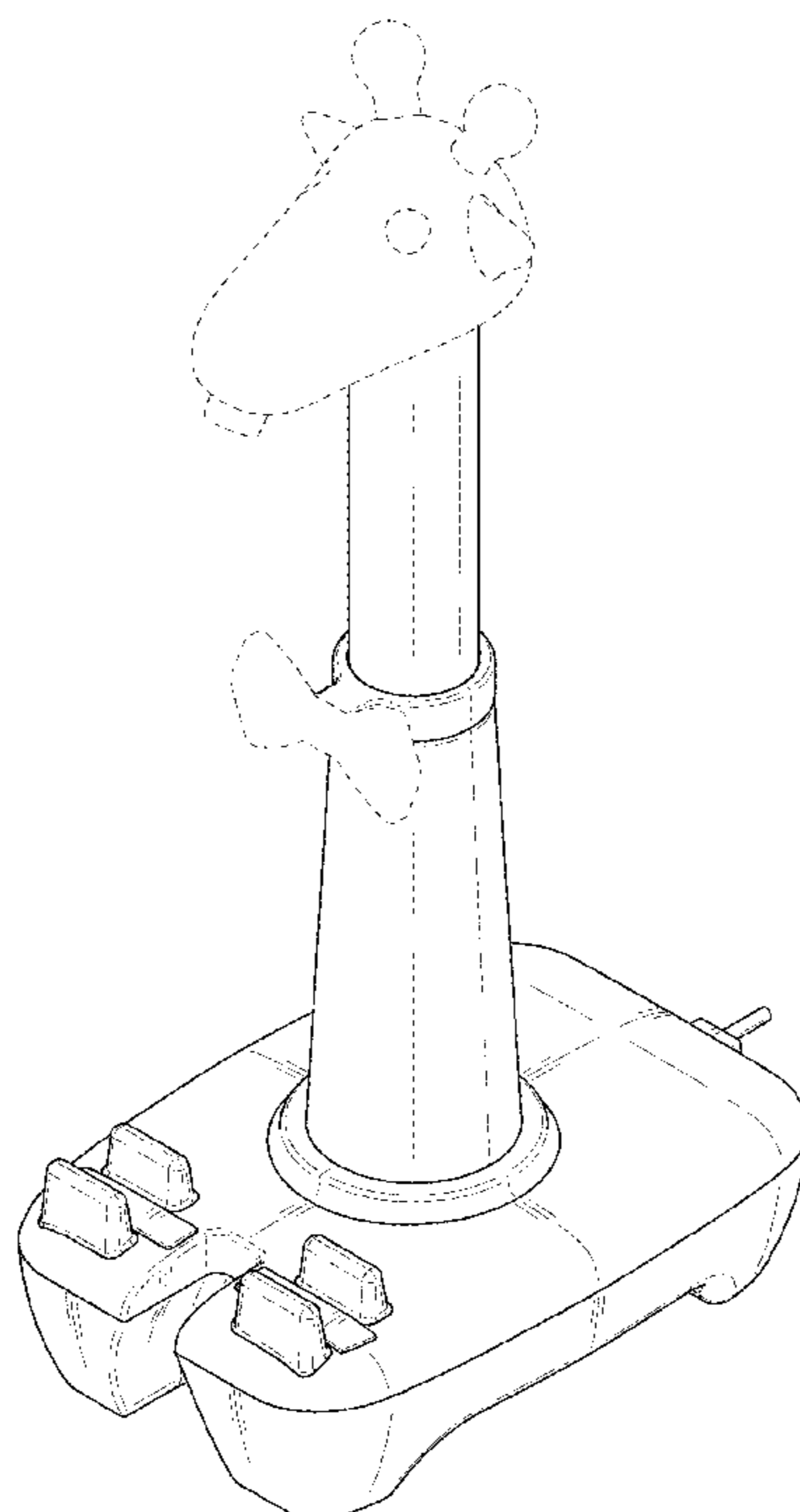


FIG. 1

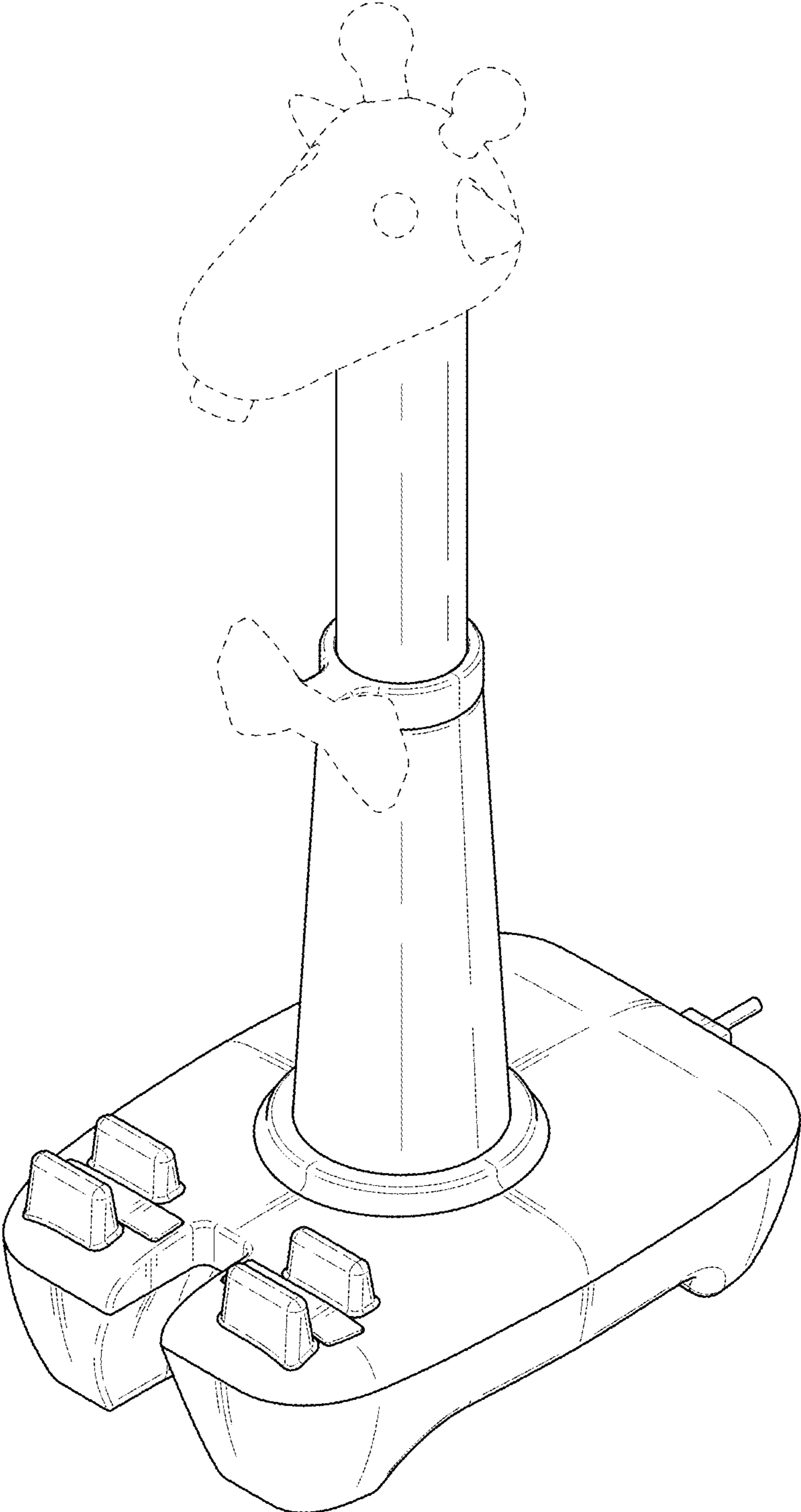


FIG. 2

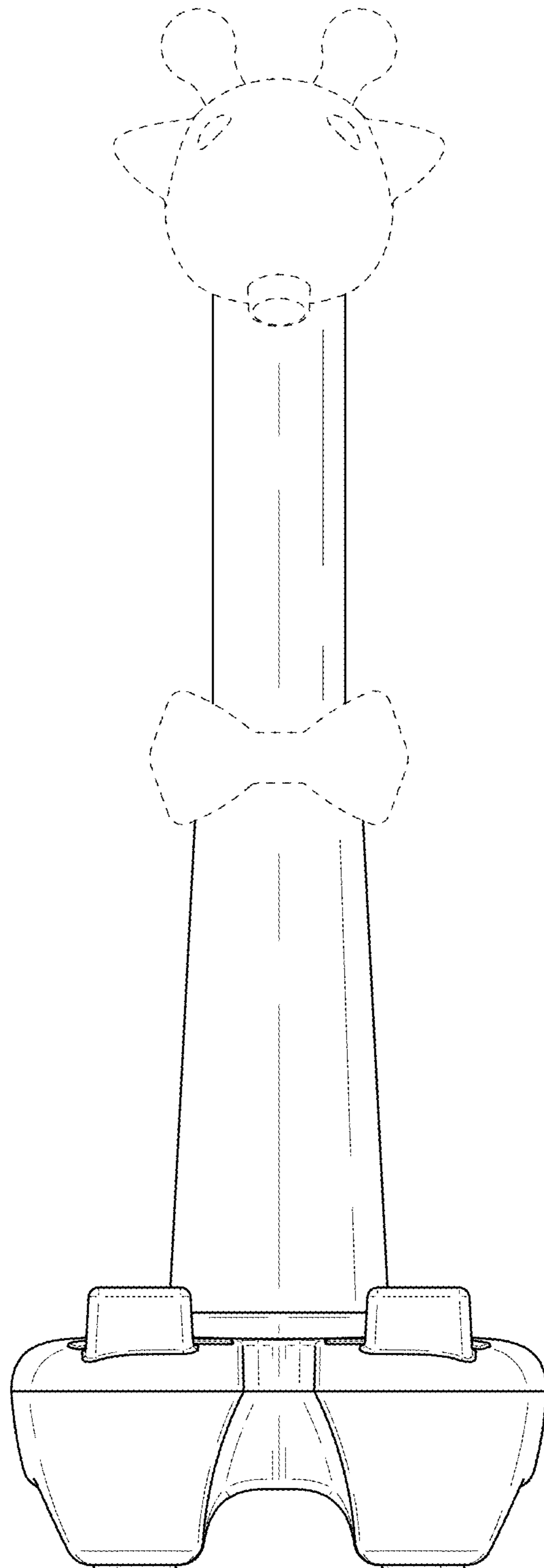


FIG. 3

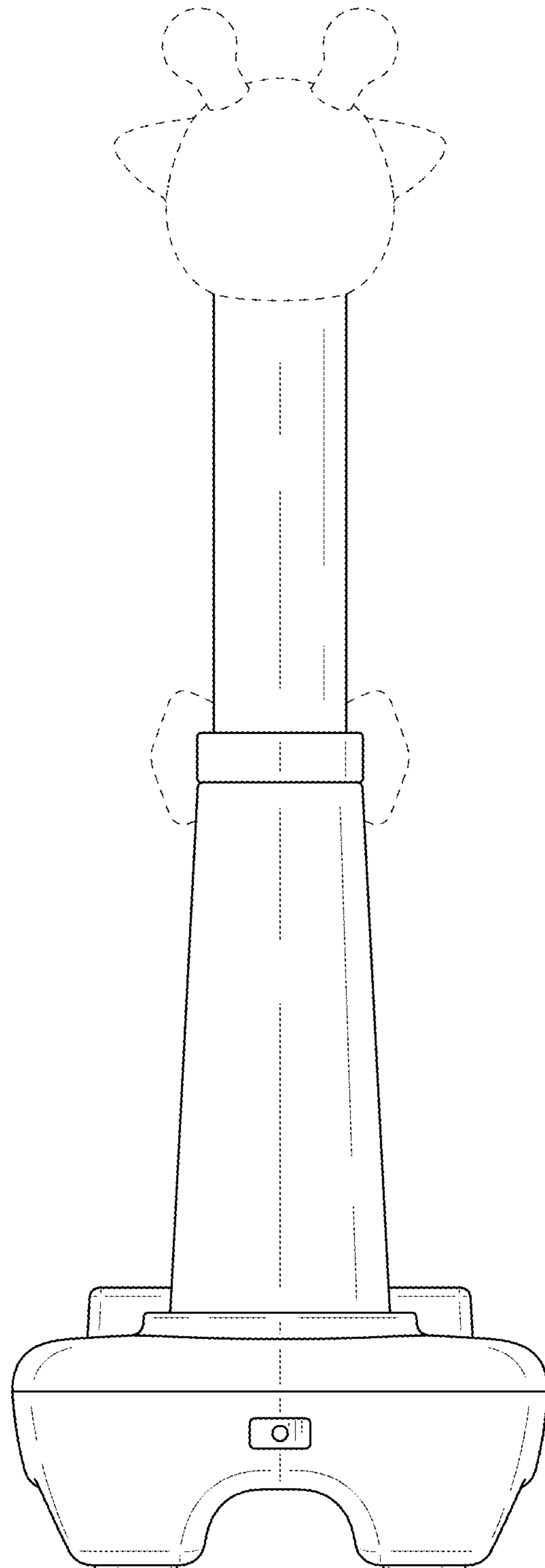


FIG. 4

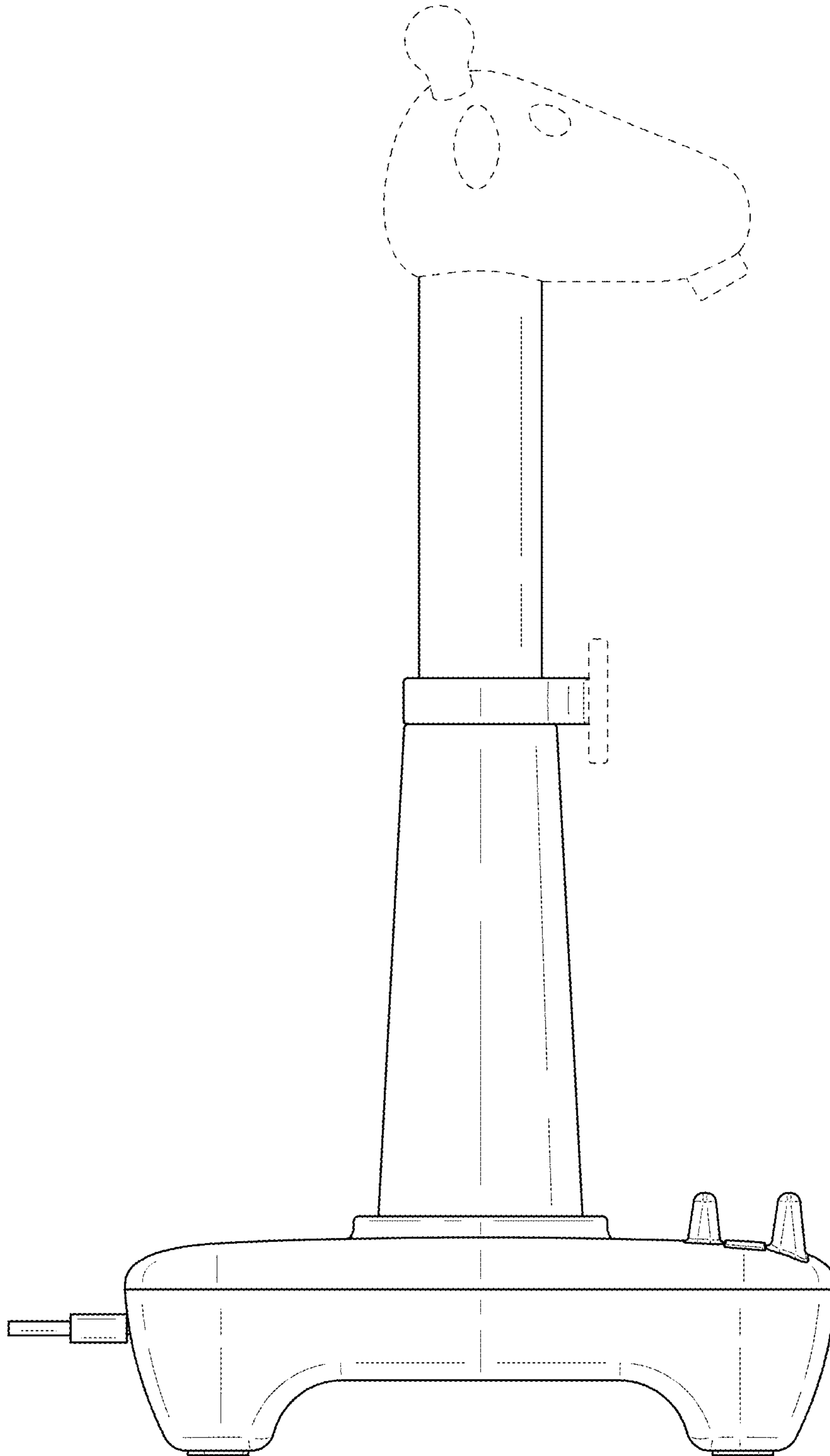


FIG. 5

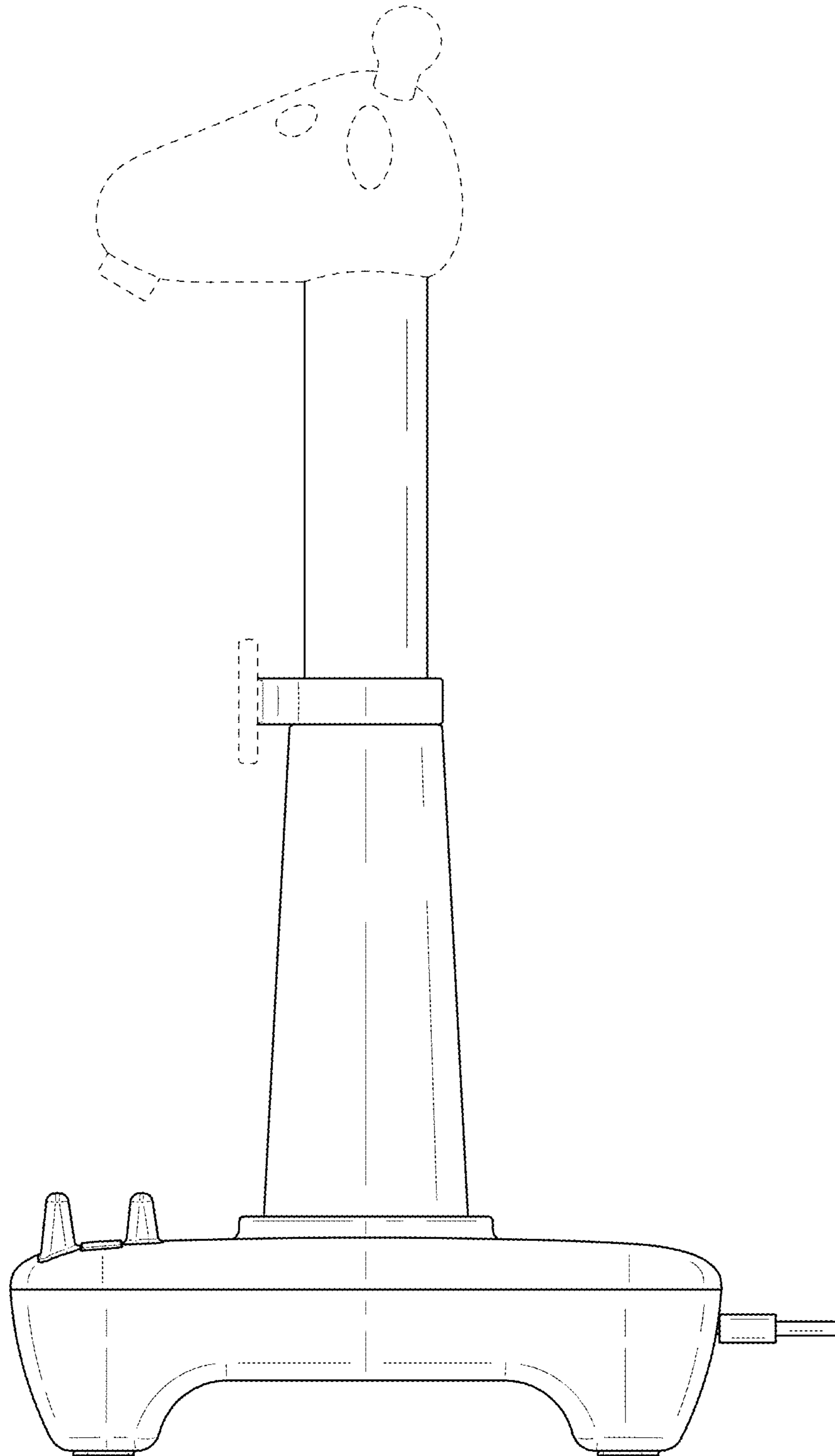


FIG. 6

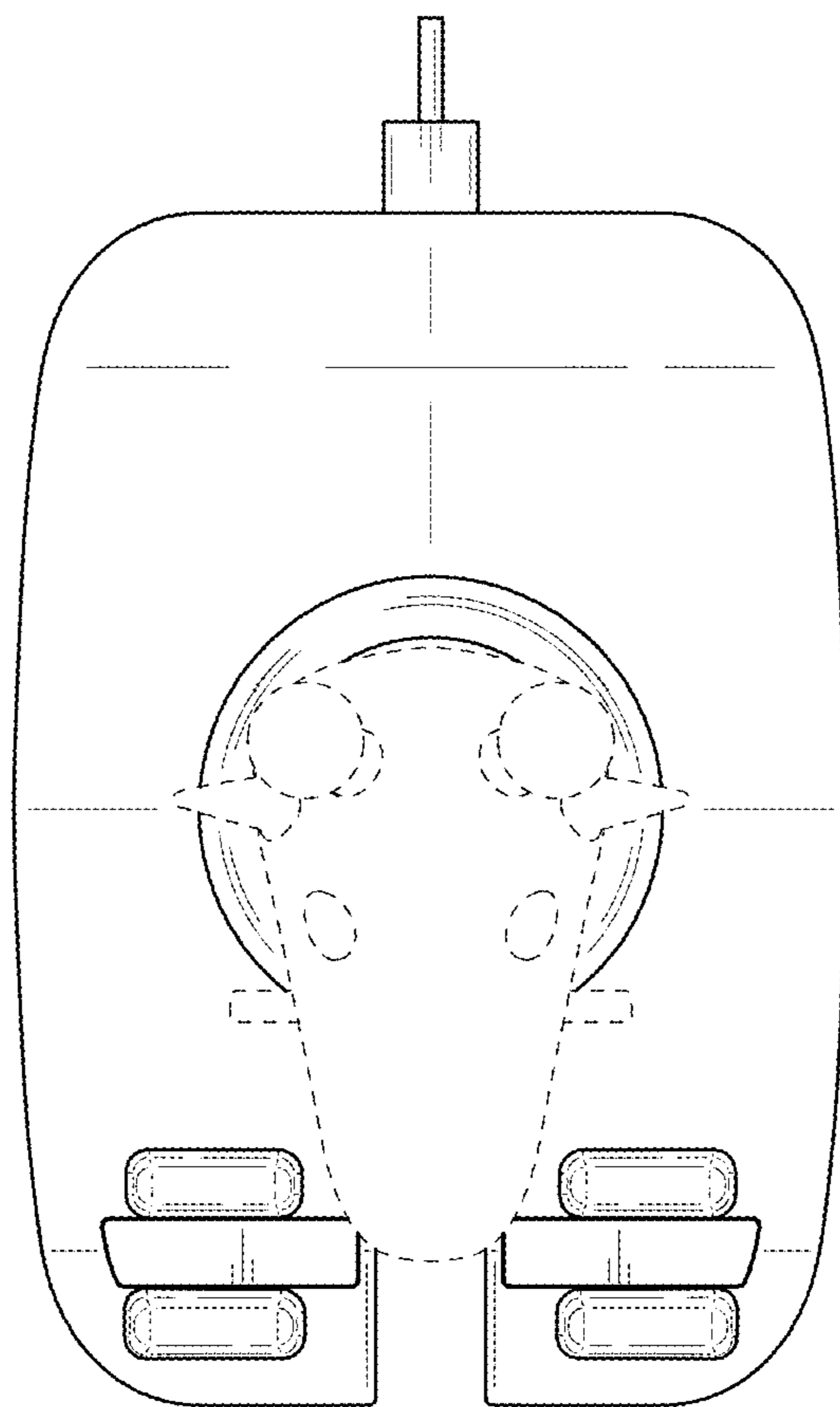


FIG. 7

