

US00D944810S

(12) **United States Design Patent** (10) **Patent No.:** **US D944,810 S**
Kim et al. (45) **Date of Patent:** **** Mar. 1, 2022**

(54) **CRADLE FOR TABLET COMPUTER**
(71) Applicant: **WOONGJIN THINKBIG CO., LTD.**,
Paju-si (KR)
(72) Inventors: **Hyojin Kim**, Paju-si (KR); **Jeonguk Park**, Paju-si (KR); **Jurang Kim**,
Paju-si (KR); **Bonggyu Kim**, Paju-si (KR); **Hyunjung Lee**, Paju-si (KR);
Changsun Oh, Paju-si (KR)
(73) Assignee: **WOONGJIN THINKBIG CO., LTD.**,
Paju-si (KR)

(**) Term: **15 Years**

(21) Appl. No.: **29/760,213**

(22) Filed: **Nov. 30, 2020**

(30) **Foreign Application Priority Data**

Oct. 6, 2020 (KR) 30-2020-0047872

(51) **LOC (13) Cl.** **08-07**

(52) **U.S. Cl.**
USPC **D14/447**

(58) **Field of Classification Search**
USPC D14/447, 432, 434, 439, 440, 451, 452,
D14/457, 239, 253, 250; D8/363, 373,
D8/380; D6/406.3, 406.4, 406.5, 406.6;
D12/415; D21/333, 332
CPC A47B 21/04; A47B 2097/006; A47B
2097/005; A47B 2023/049; A45C
2011/002; A45C 2011/003; F16M
2200/00; F16M 13/00

See application file for complete search history.

(56) **References Cited**

U.S. PATENT DOCUMENTS

D516,067 S *	2/2006	Hsieh	D14/371
D595,714 S *	7/2009	Chu	D14/371
D652,045 S *	1/2012	Hong	D14/447
D690,306 S *	9/2013	Malisse	D14/447
D714,775 S *	10/2014	Yoo	D14/253
D731,497 S *	6/2015	Xiang	D14/447
D763,263 S *	8/2016	Wierenga	D14/434
D881,201 S *	4/2020	Lou	D14/447
D896,234 S *	9/2020	Garrity, III	D14/447
D904,387 S *	12/2020	Zhang	D14/253
D931,863 S *	9/2021	Burmester	D14/447

* cited by examiner

Primary Examiner — Angela J Lee

(74) *Attorney, Agent, or Firm* — NSIP Law

(57) **CLAIM**

We claim the ornamental design for a cradle for tablet computer, as shown and described.

DESCRIPTION

FIG. 1 is a front perspective view of a cradle for tablet computer showing our new design;
FIG. 2 is a front view thereof;
FIG. 3 is a rear view thereof;
FIG. 4 is a left-side view thereof;
FIG. 5 is a right-side view thereof;
FIG. 6 is a top view thereof; and,
FIG. 7 is a bottom view thereof.

1 Claim, 7 Drawing Sheets

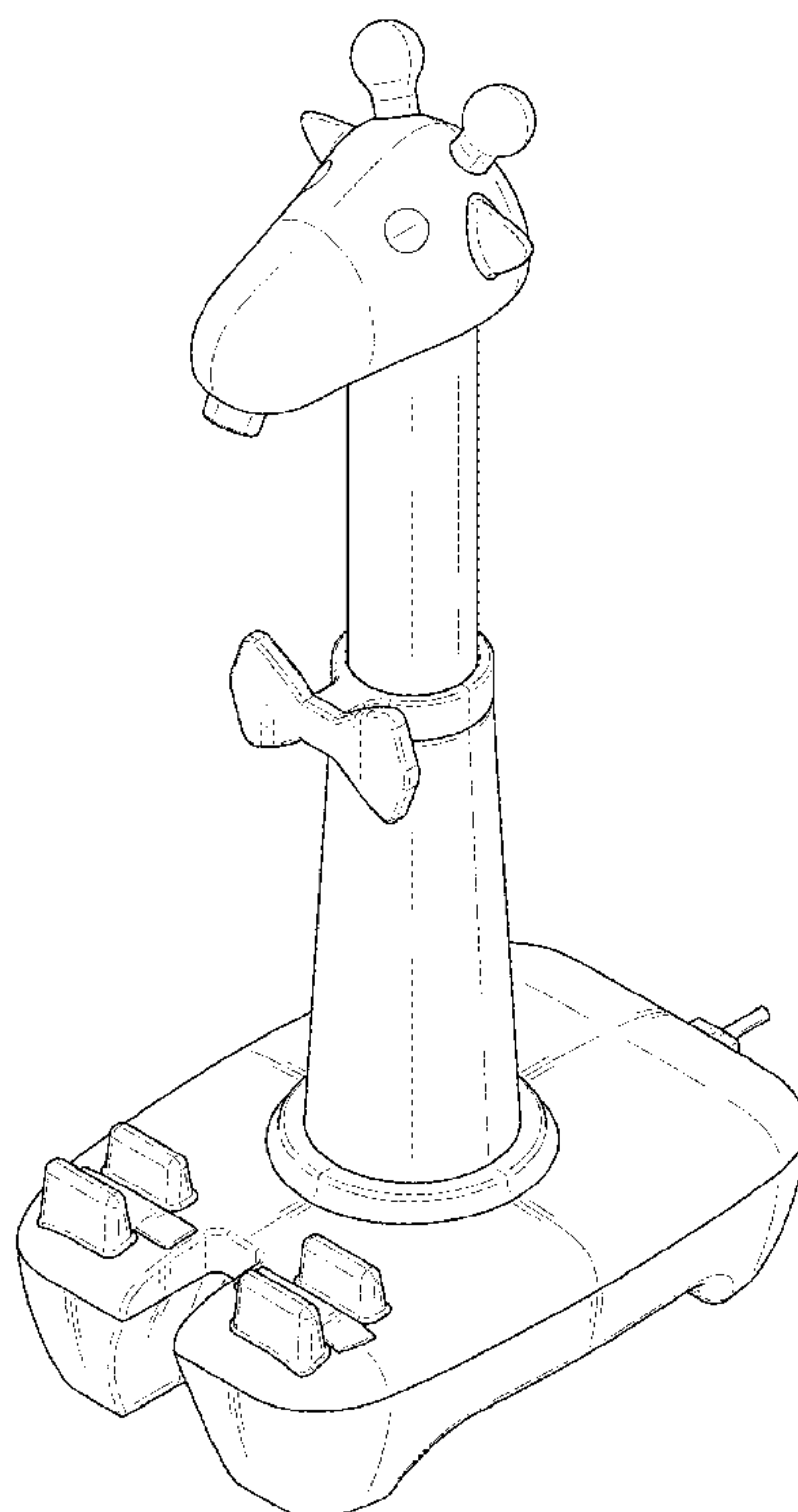


FIG. 1

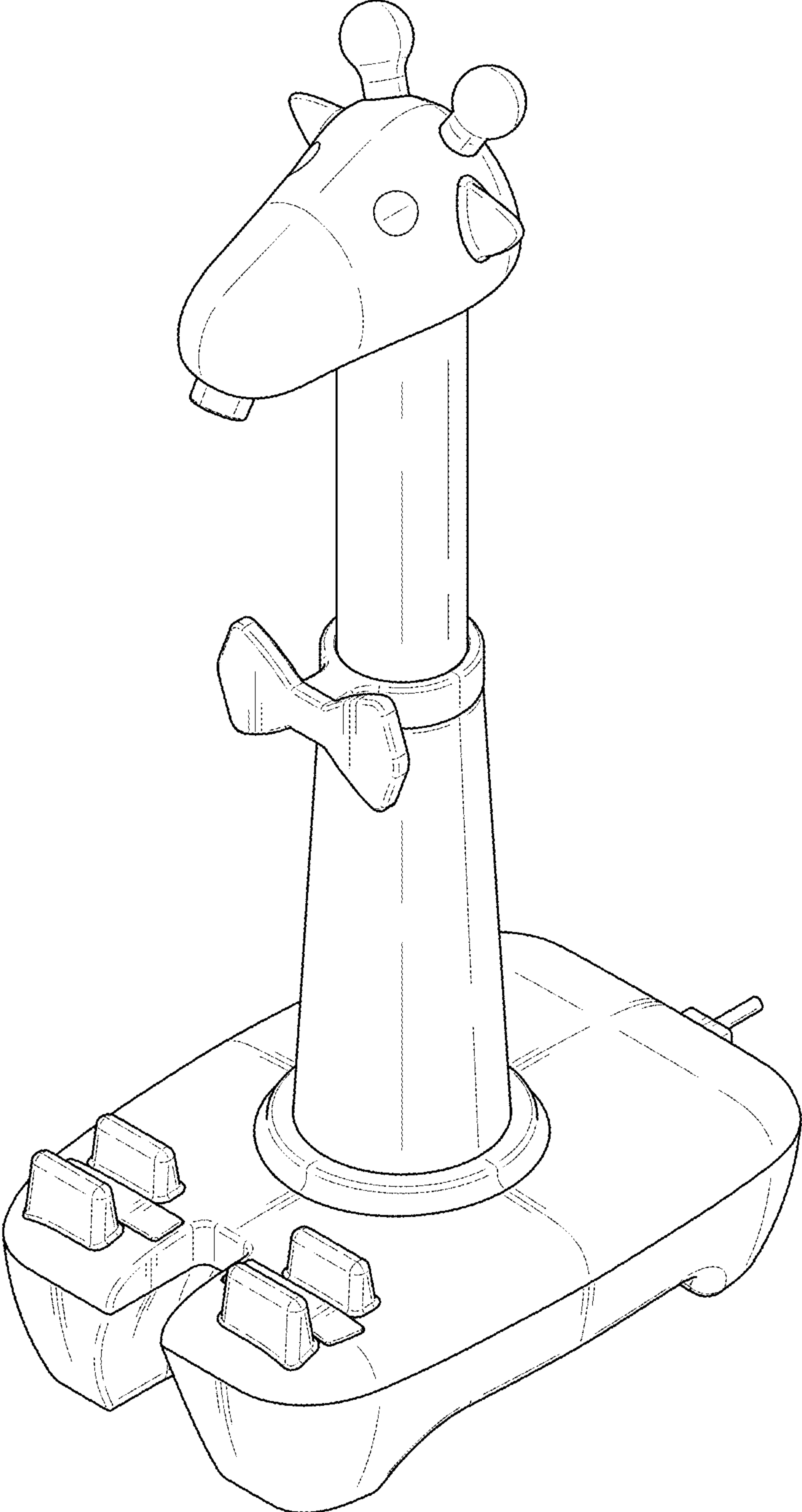


FIG. 2

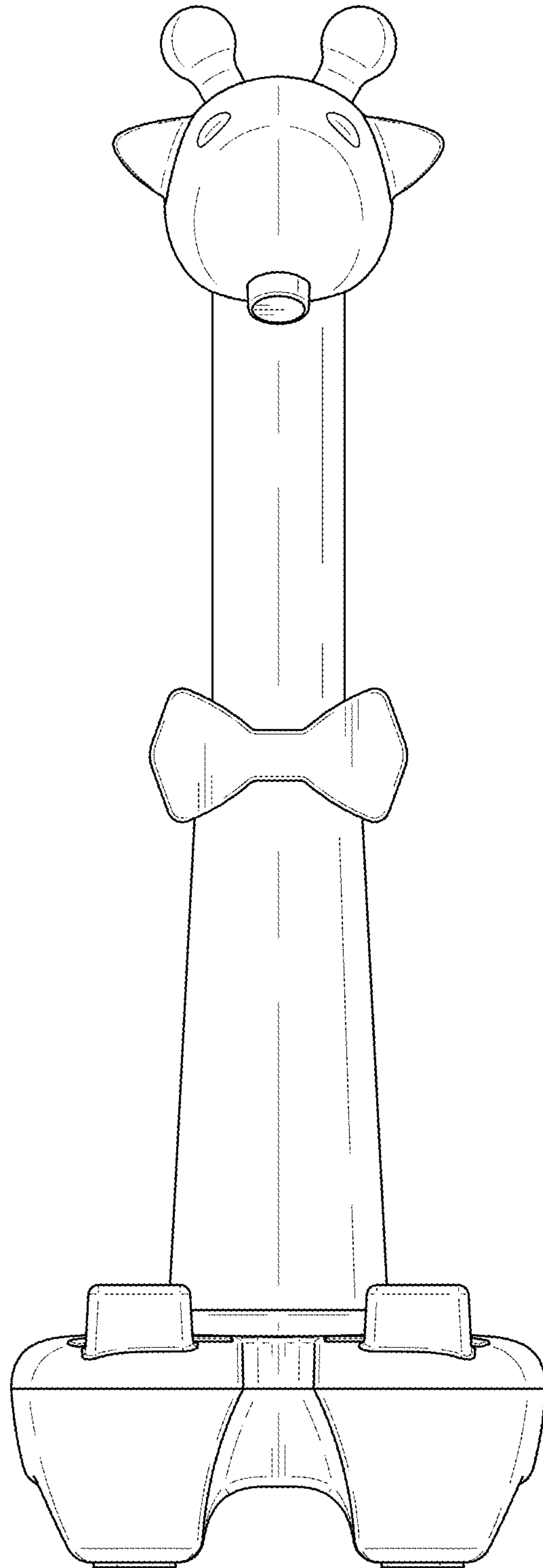


FIG. 3

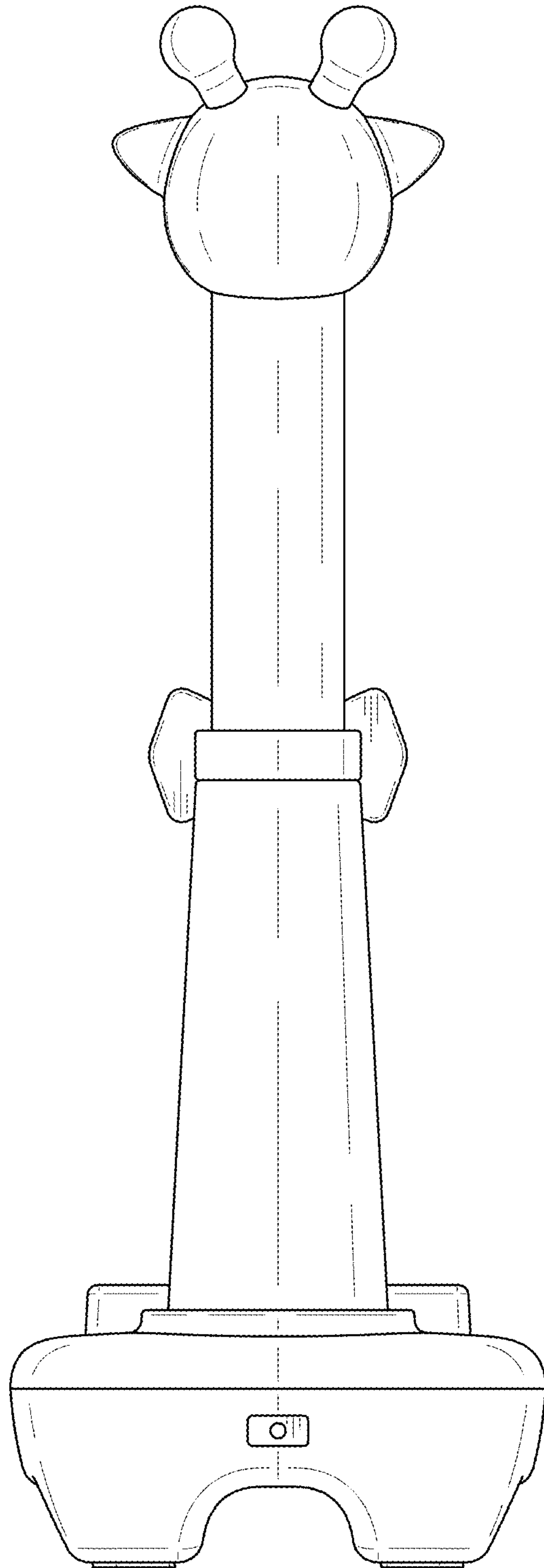


FIG. 4

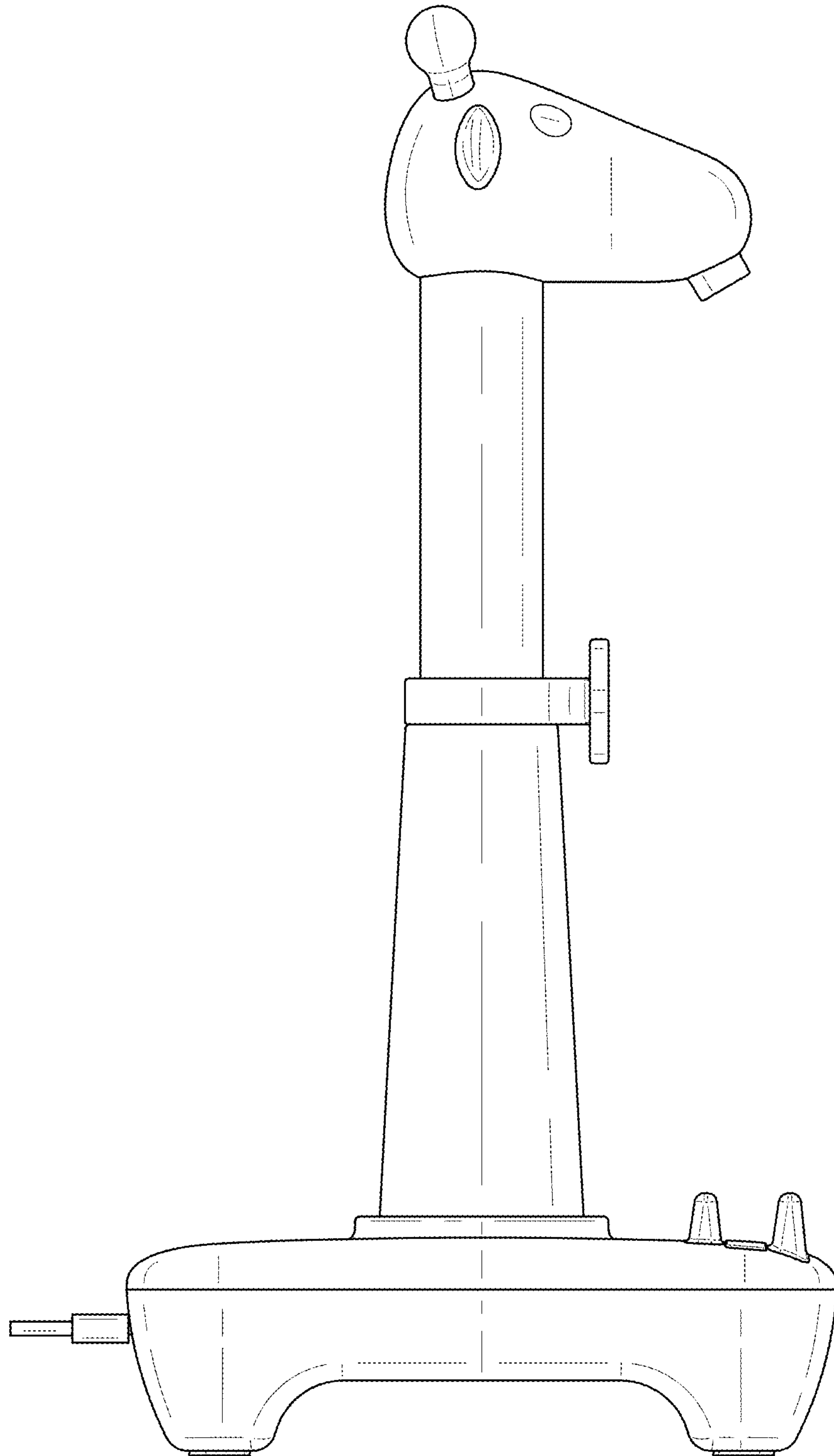


FIG. 5

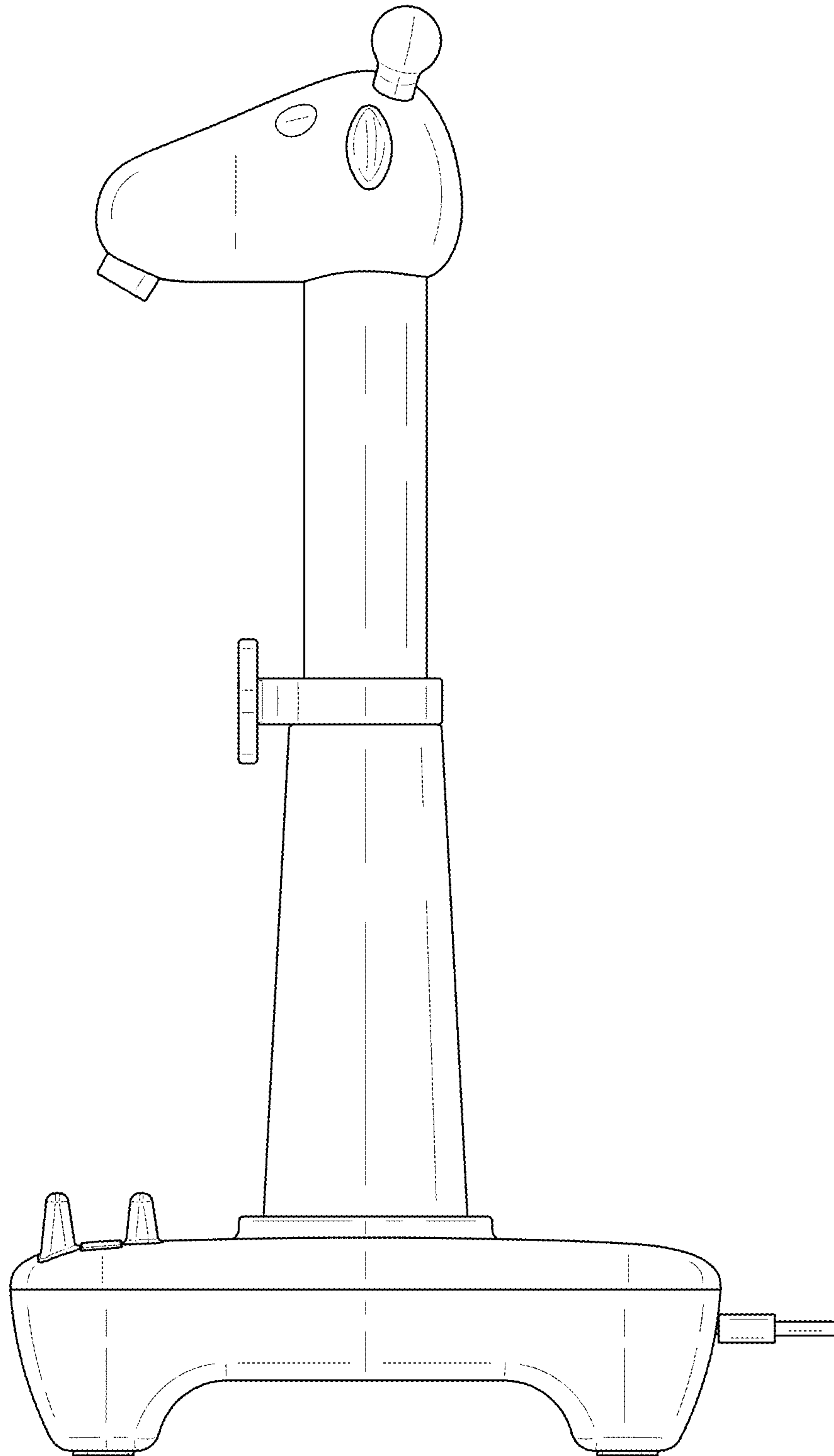


FIG. 6

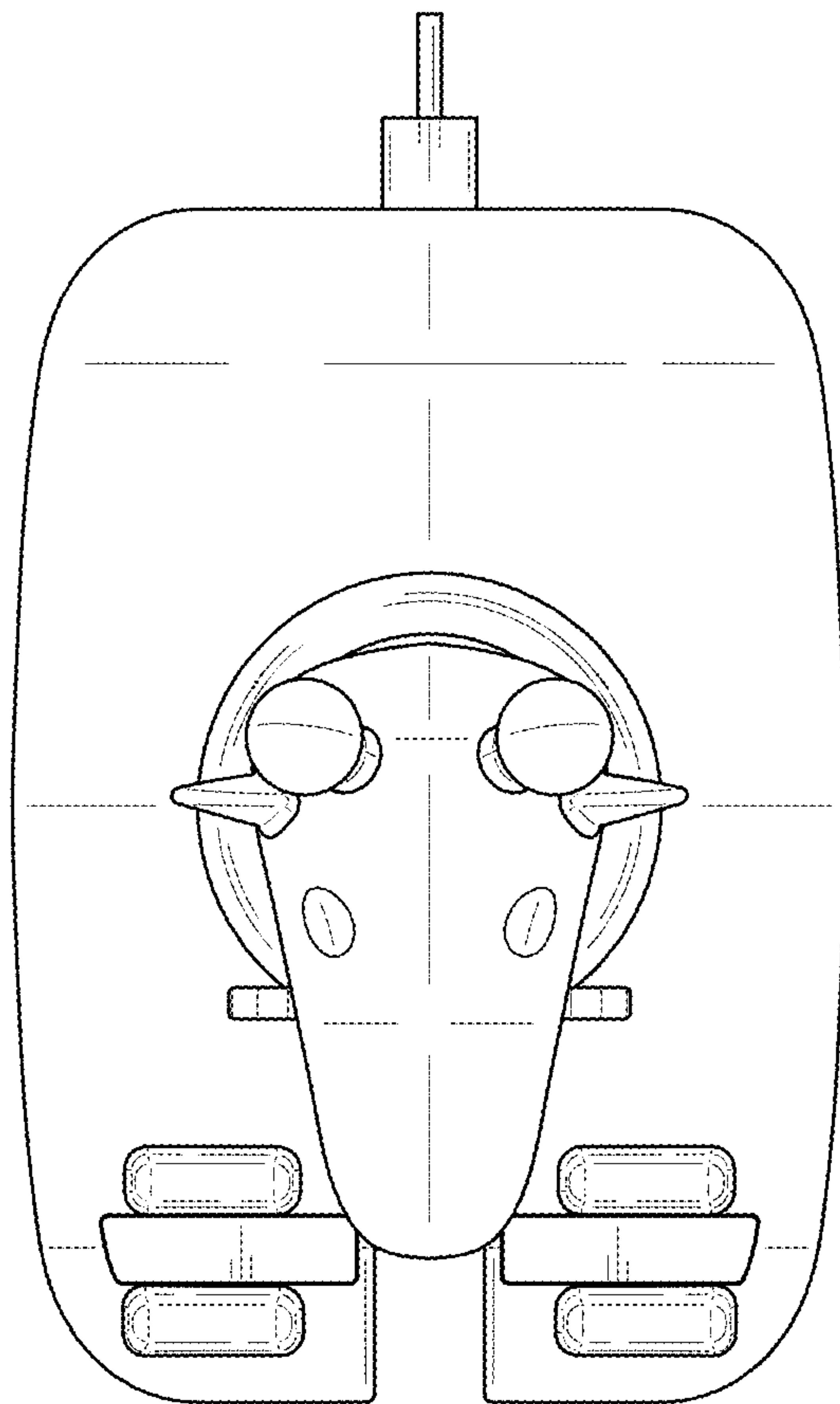


FIG. 7

