



US00D944808S

(12) **United States Design Patent**  
**Wang et al.**

(10) **Patent No.:** **US D944,808 S**  
(45) **Date of Patent:** **\*\* Mar. 1, 2022**

(54) **LAPTOP STAND**

(71) Applicant: **ECODOT TRADING CO., LTD.,**  
Zhuhai (CN)

(72) Inventors: **Peng Wang, Zhuhai (CN); Dongming**  
**Lin, Zhuhai (CN)**

(73) Assignee: **ECODOT TRADING CO., LTD.,**  
Zhuhai (CN)

(\*\*) Term: **15 Years**

(21) Appl. No.: **29/751,195**

(22) Filed: **Sep. 18, 2020**

(51) **LOC (13) Cl.** ..... **08-07**

(52) **U.S. Cl.**  
USPC ..... **D14/447**

(58) **Field of Classification Search**  
USPC ..... D14/447, 432, 434, 439, 440, 451, 452,  
D14/457, 239, 253; D8/363, 373, 380;  
D6/406.3, 406.4, 406.5, 406.6; D12/415;  
D13/108  
CPC ..... A47B 21/04; A47B 2097/006; A47B  
2097/005; A47B 2023/049; A45C  
2011/002; A45C 2011/003; F16M  
2200/00; F16M 13/00  
See application file for complete search history.

(56) **References Cited**

**U.S. PATENT DOCUMENTS**

D589,964 S \* 4/2009 Heggland ..... D14/434  
D792,417 S \* 7/2017 Xiang ..... D14/447

D903,689 S \* 12/2020 Zheng ..... D14/447  
D907,640 S \* 1/2021 Huang ..... D14/447  
D907,644 S \* 1/2021 Li ..... D14/447  
D920,338 S \* 5/2021 Chen ..... D14/447  
D923,631 S \* 6/2021 Chen ..... D14/447  
D923,632 S \* 6/2021 Li ..... D14/447  
D928,790 S \* 8/2021 Hong ..... D14/447

\* cited by examiner

*Primary Examiner* — Angela J Lee

(74) *Attorney, Agent, or Firm* — Anova Law Group,  
PLLC

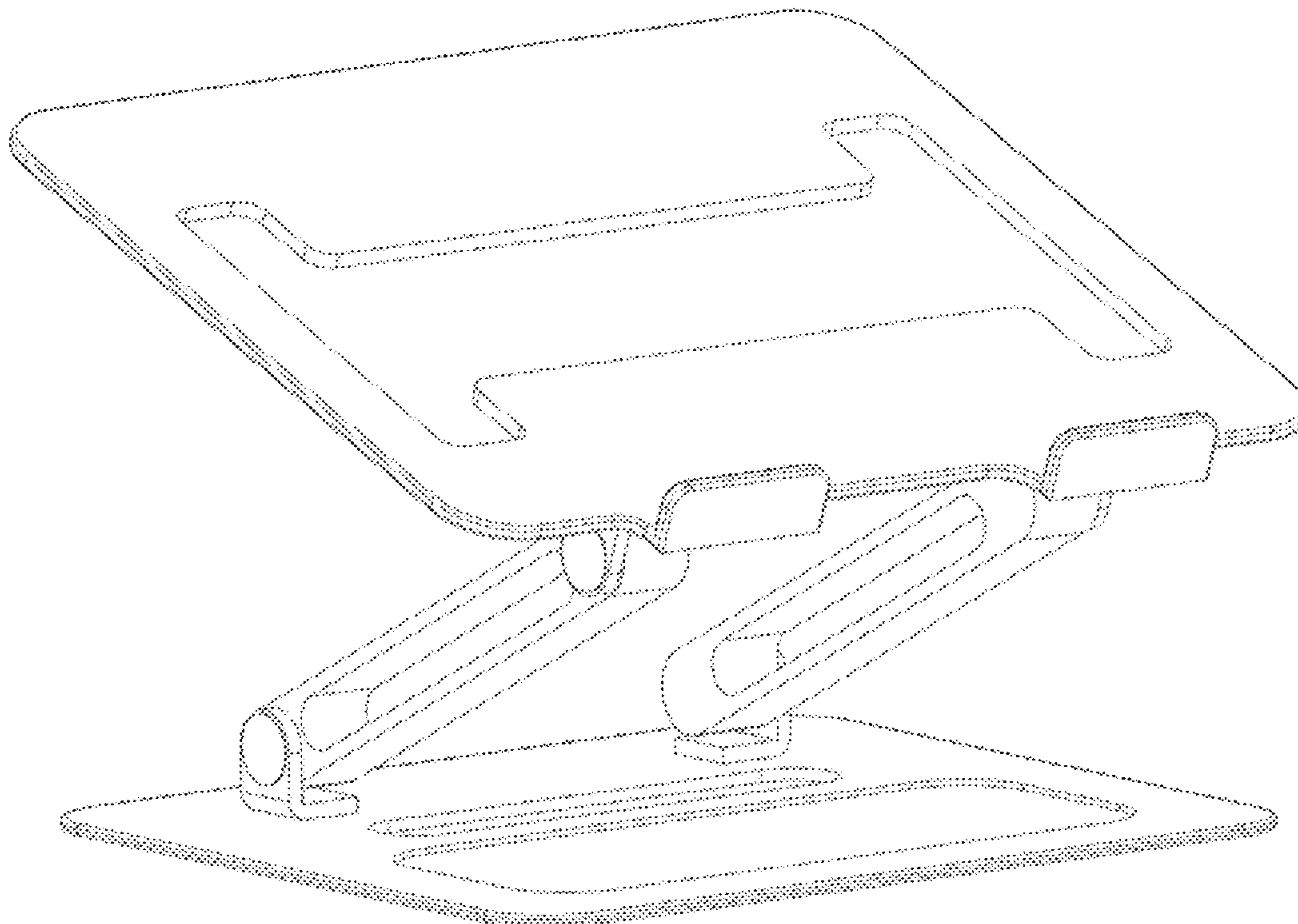
(57) **CLAIM**

The ornamental design for a laptop stand, as shown and described.

**DESCRIPTION**

FIG. 1 is a perspective view of an embodiment of a laptop stand showing my new design;  
FIG. 2 is a front view thereof;  
FIG. 3 is a rear view thereof;  
FIG. 4 is a left view thereof;  
FIG. 5 is a right view thereof;  
FIG. 6 is a top view thereof; and,  
FIG. 7 is a bottom view thereof.

**1 Claim, 7 Drawing Sheets**



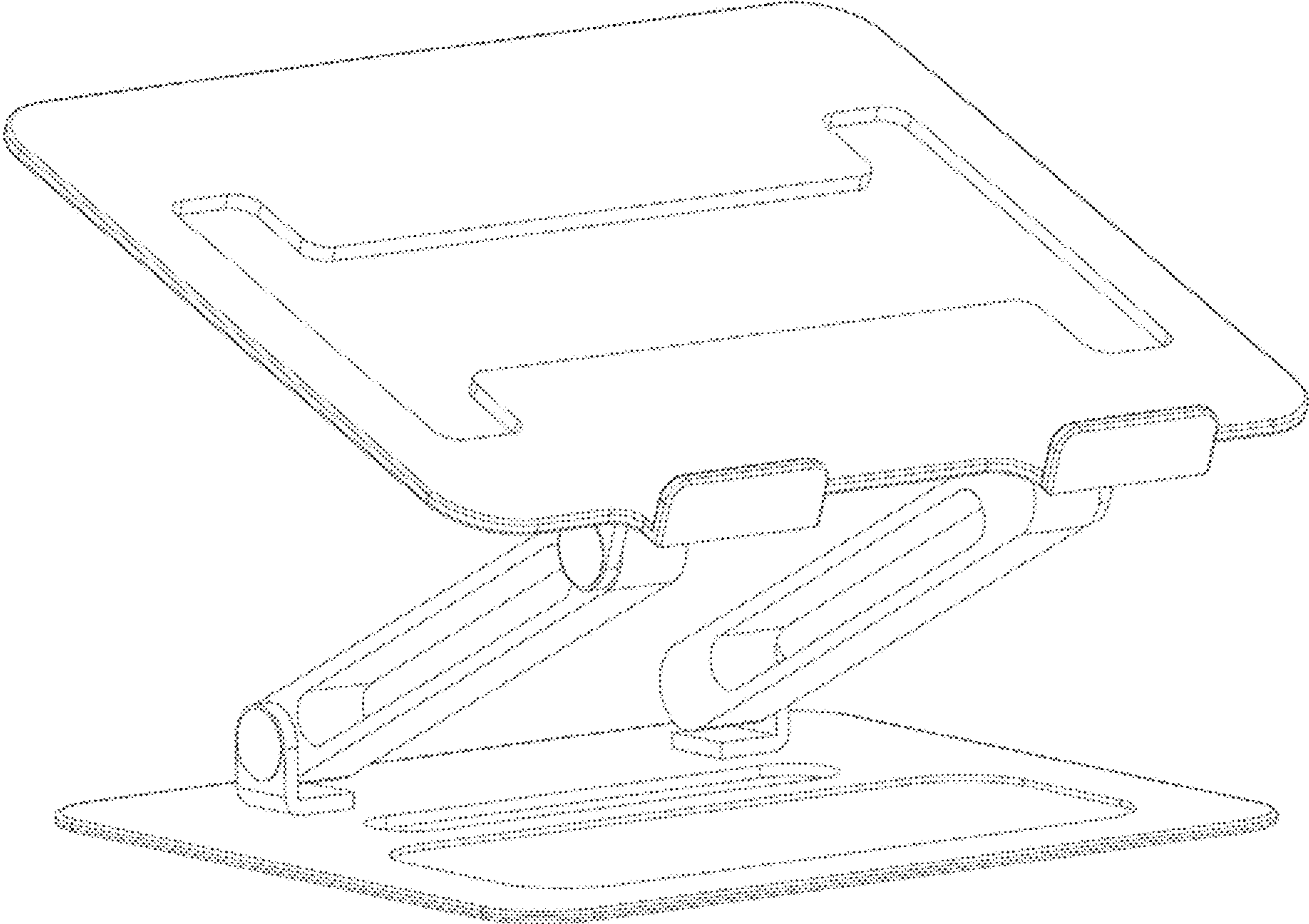


FIG. 1

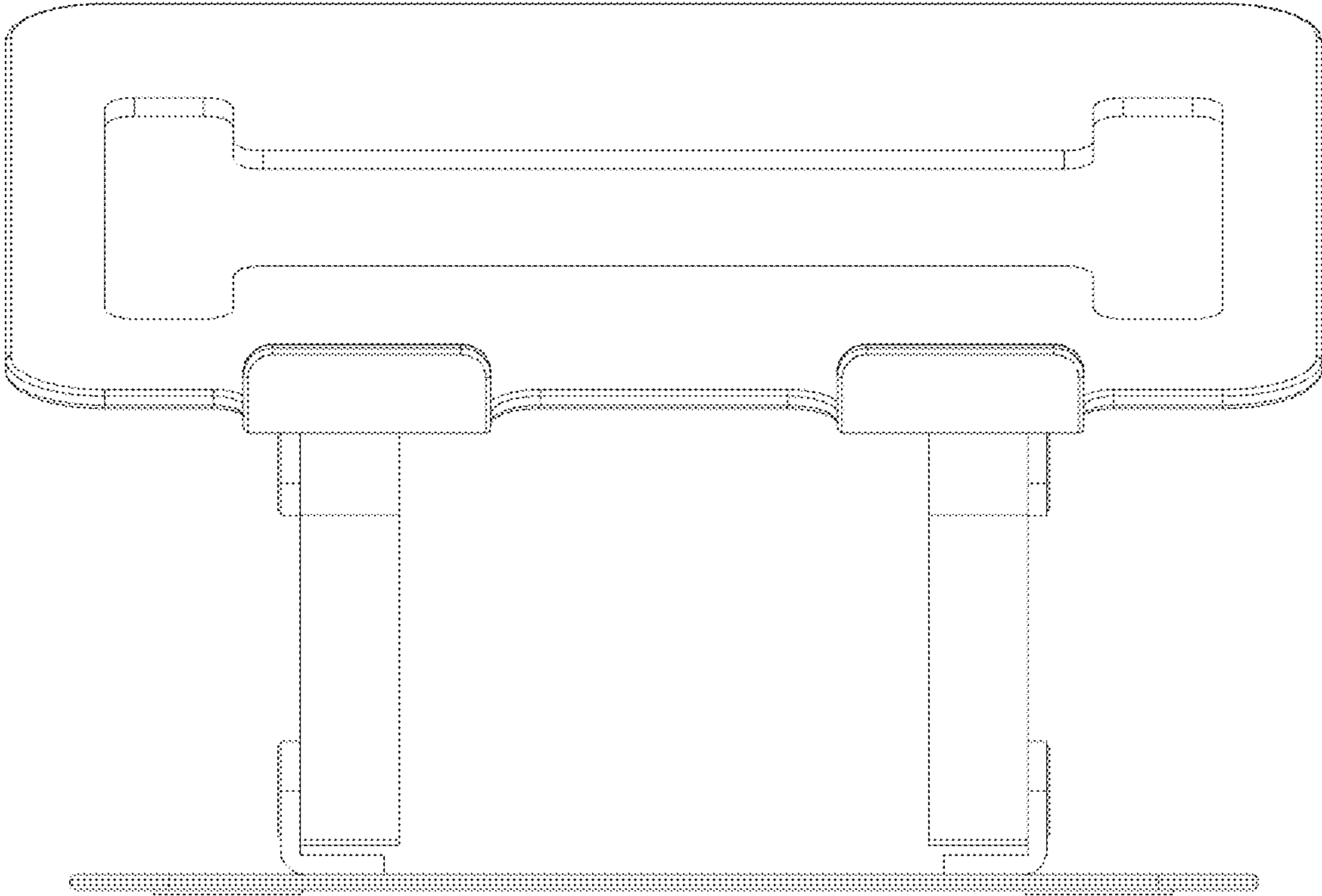


FIG. 2

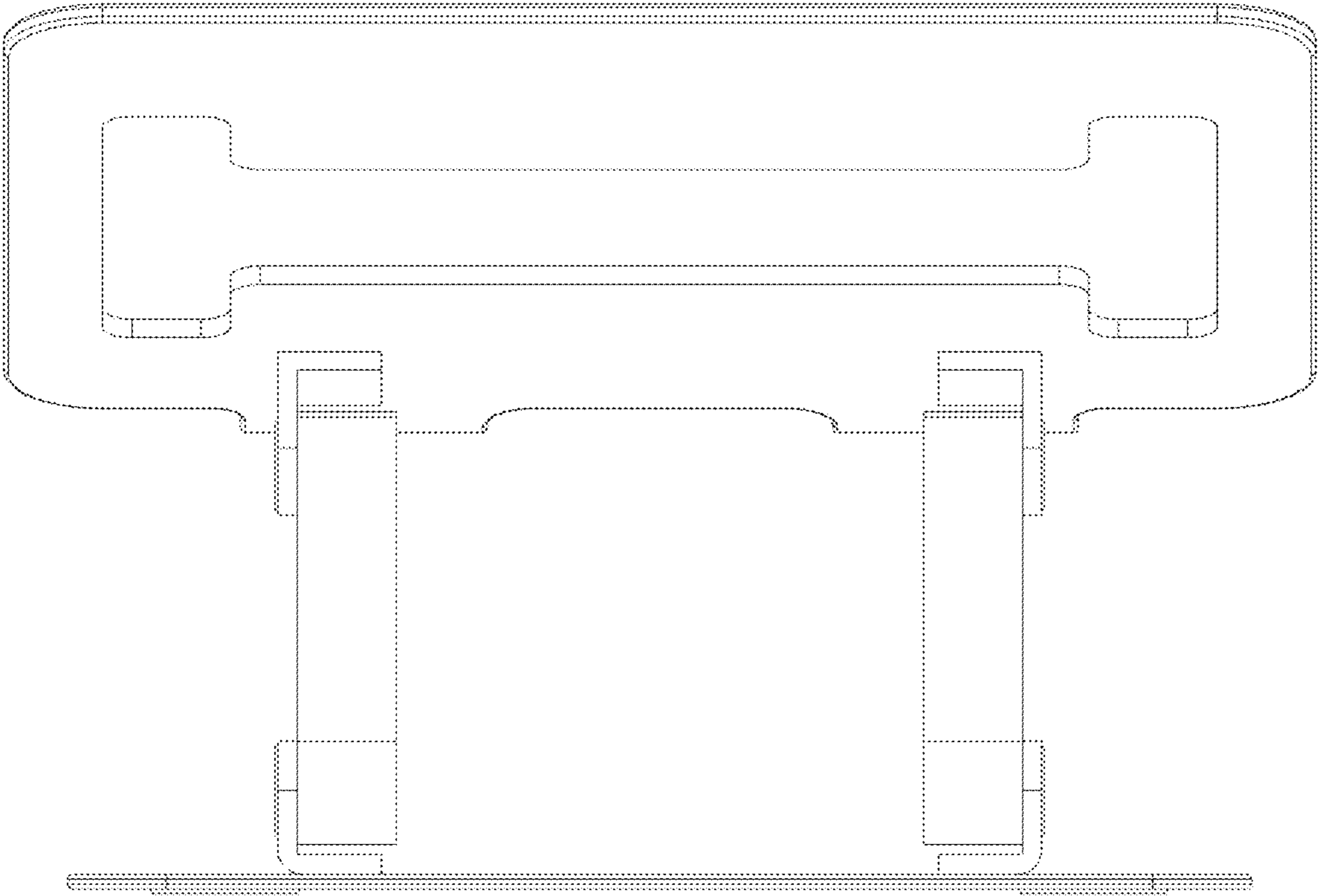


FIG. 3

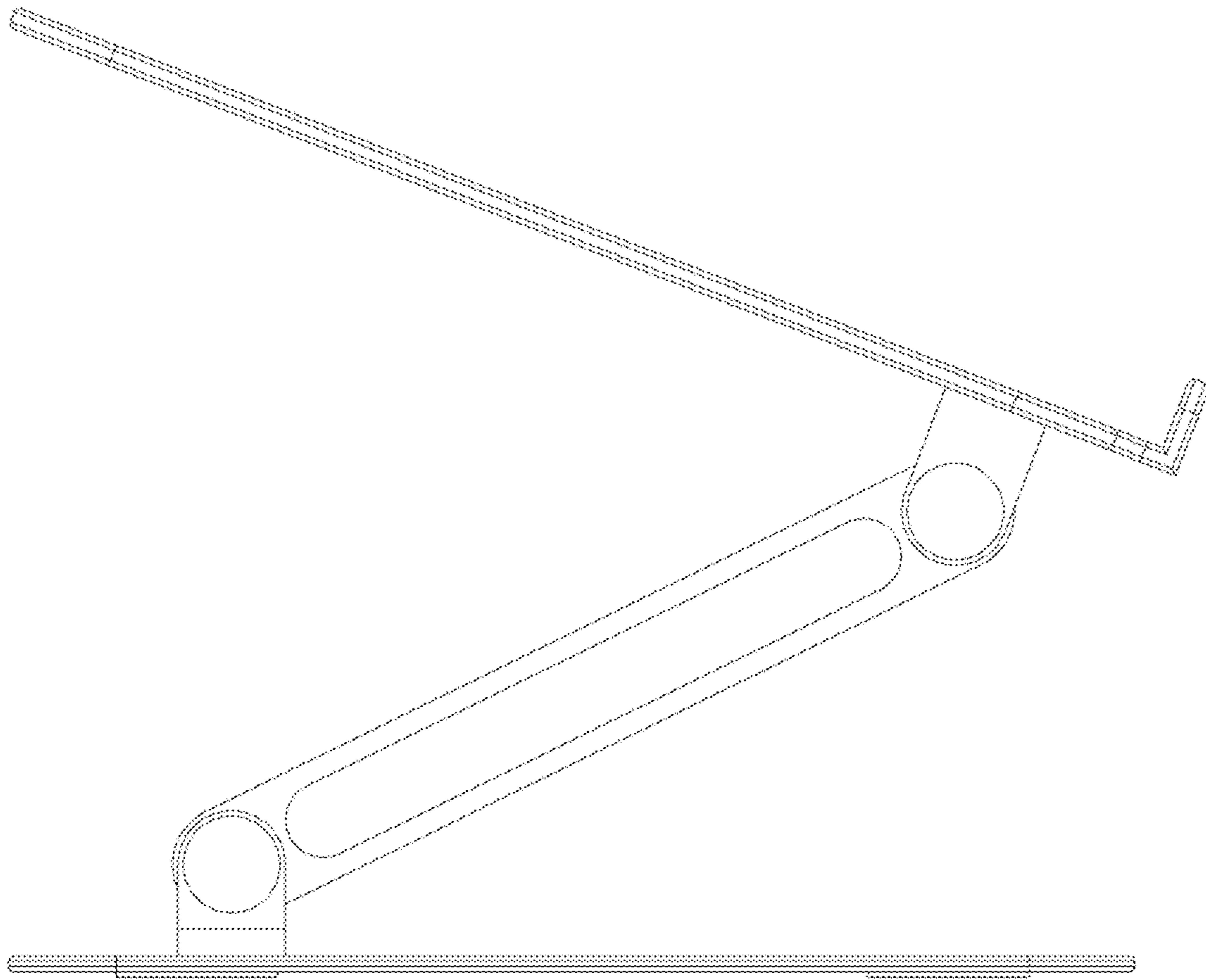


FIG. 4

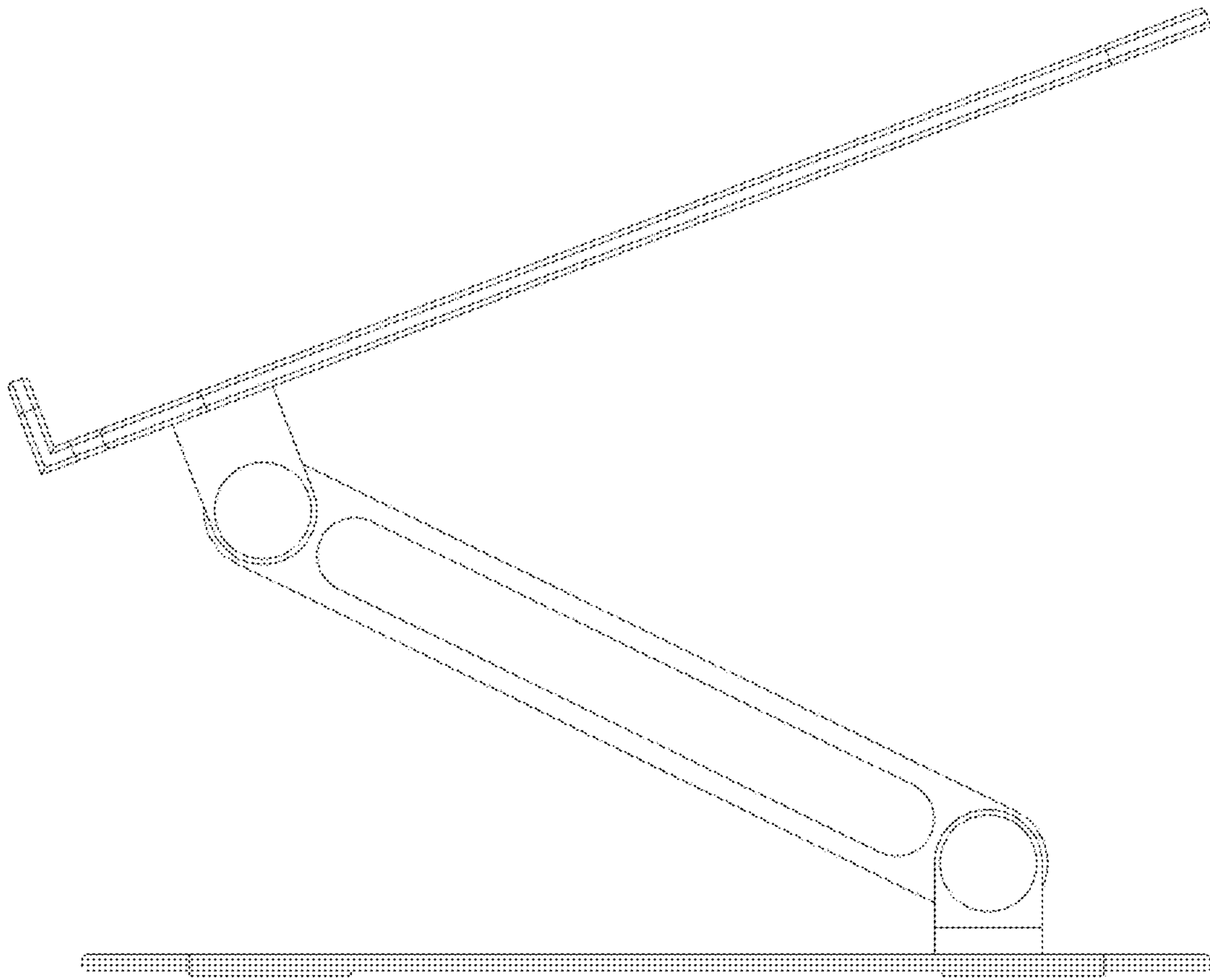


FIG. 5

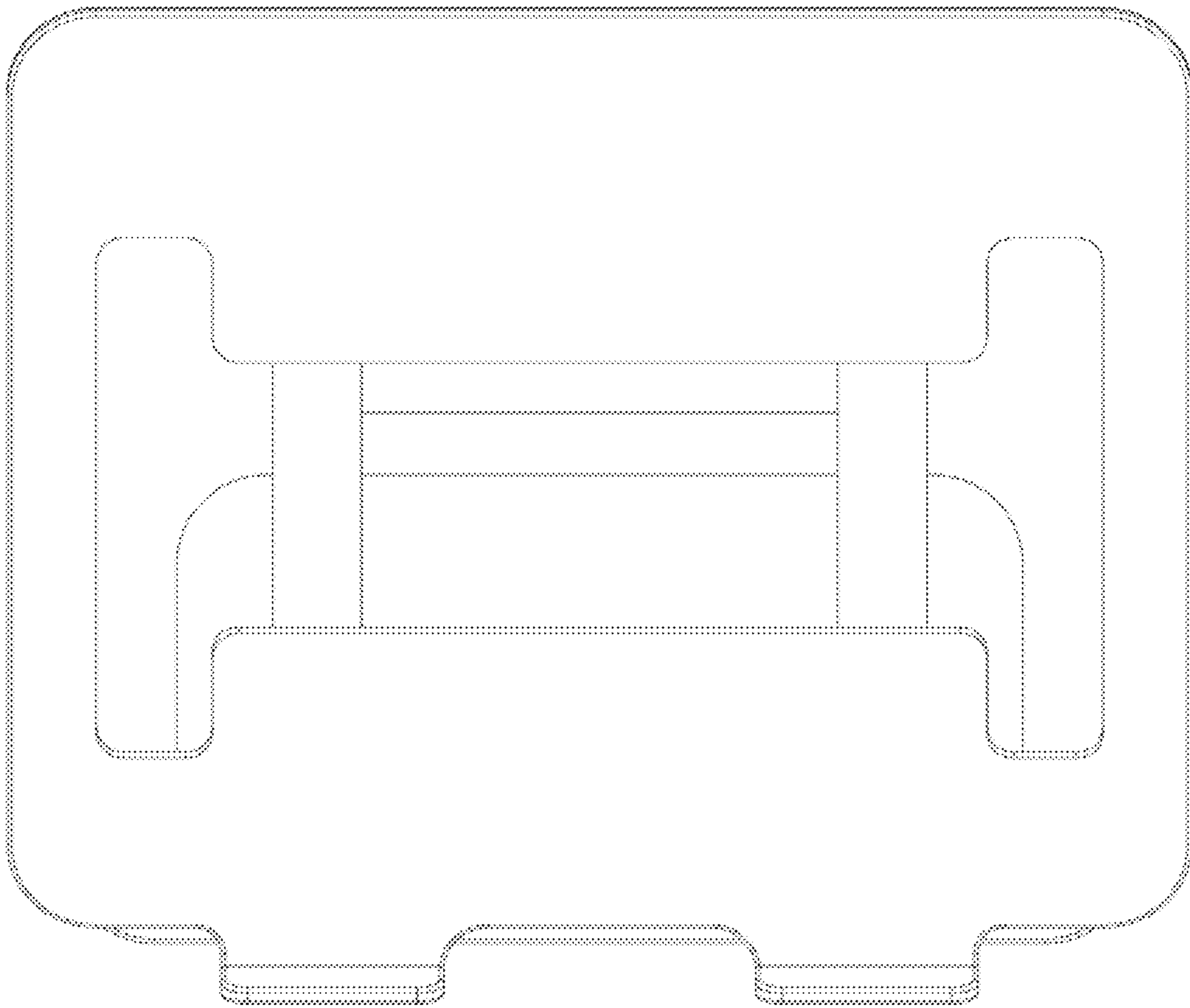


FIG. 6

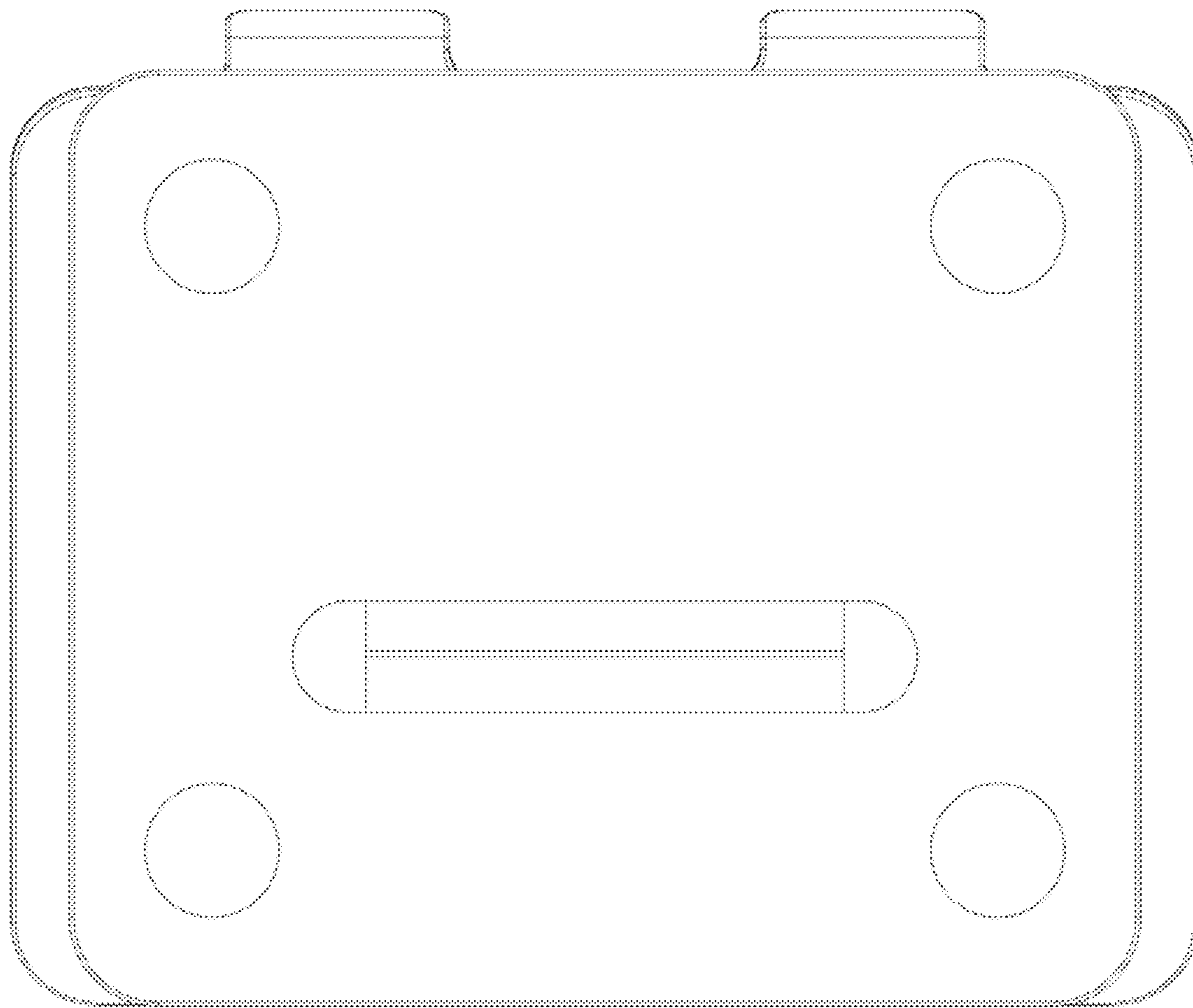


FIG. 7