



US00D944806S

(12) **United States Design Patent**  
**Zhang et al.**

(10) **Patent No.:** **US D944,806 S**  
(45) **Date of Patent:** **\*\* Mar. 1, 2022**

(54) **FOLDABLE BRACKET**

(71) Applicant: **Ugreen Group Limited**, Shenzhen (CN)

(72) Inventors: **Qingsen Zhang**, Shenzhen (CN);  
**Junling Chen**, Shenzhen (CN);  
**Jianqiang Liang**, Shenzhen (CN)

(\*\*) Term: **15 Years**

(21) Appl. No.: **29/725,937**

(22) Filed: **Feb. 28, 2020**

(51) **LOC (13) Cl.** ..... **14-03**

(52) **U.S. Cl.**  
USPC ..... **D14/447**; D14/253; D14/251; D8/373

(58) **Field of Classification Search**  
USPC ..... D8/323, 373, 371; D14/251, 253, 447;  
D21/333; D32/71; D16/136; 16/367,  
16/368; 248/166, 346.03, 346.06, 346.3,  
248/447, 457, 460, 463, 464, 918  
CPC ..... F16M 11/10; F16M 11/38; F16M 13/00  
See application file for complete search history.

D907,644 S \* 1/2021 Li ..... F16M 11/10  
D14/447  
D926,412 S \* 7/2021 Park ..... D32/71  
D936,660 S \* 11/2021 He ..... D14/447

**FOREIGN PATENT DOCUMENTS**

CN 305255742 \* 8/2018  
EM 006311528-0002 \* 3/2019  
EM 008303663-0001 \* 12/2020  
KR 301008854.0000 \* 5/2019

**OTHER PUBLICATIONS**

Adjustable Tablet Stand Holder, SAIJI Portable Foldable Desktop Stand. (Jul. 11, 2019). Amazon. Retrieved Dec. 1, 2021, URL:<<https://www.amazon.com/dp/B07V2J141Z/>> (Year: 2019).\*

\* cited by examiner

*Primary Examiner* — Rachel A. Voorhies  
*Assistant Examiner* — Benjamin D. Wannemacher

(57) **CLAIM**

The ornamental design for a foldable bracket, as shown and described.

**DESCRIPTION**

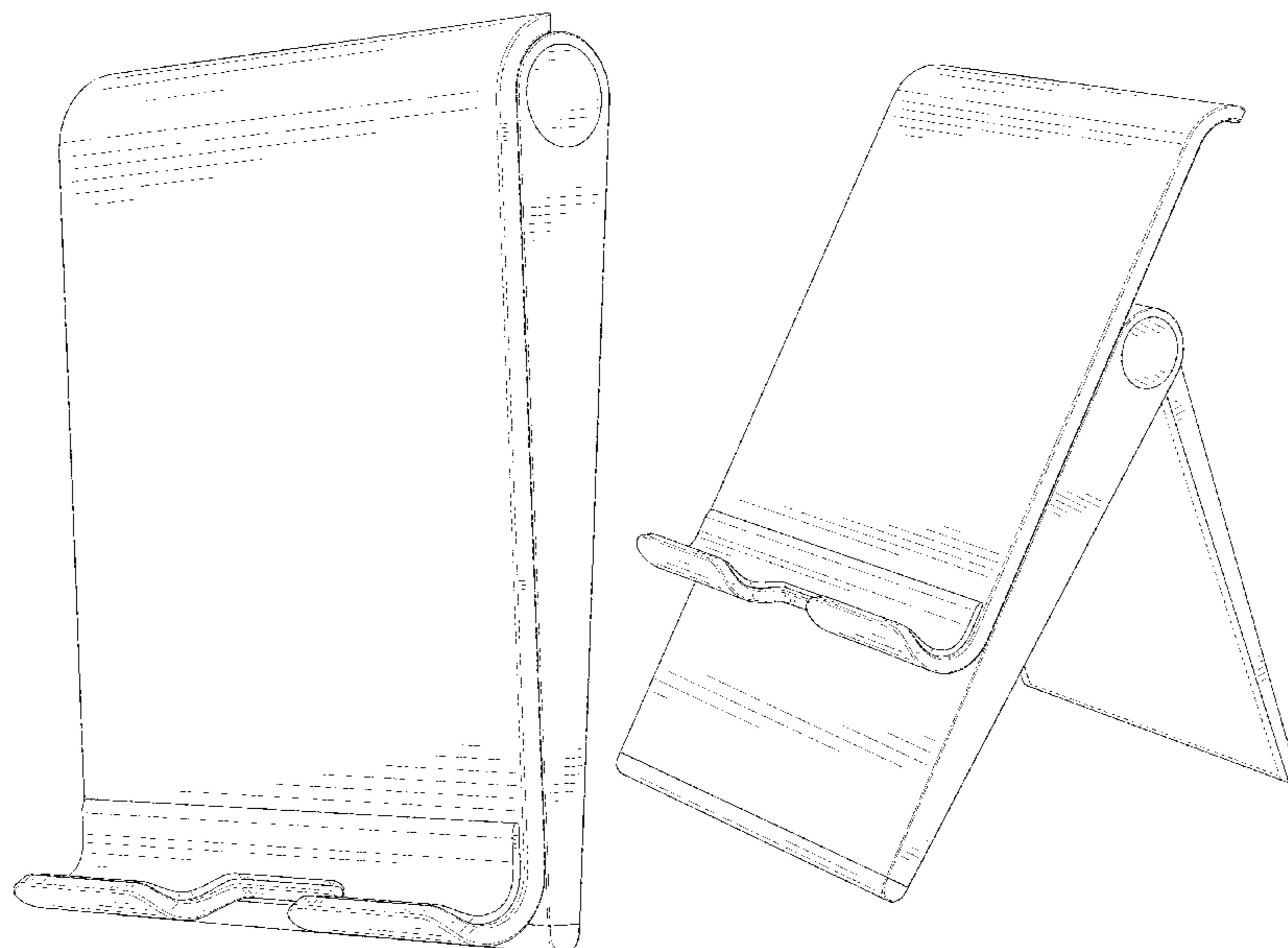
FIG. 1 is a perspective view of a foldable bracket showing my new design;  
FIG. 2 is a front view thereof;  
FIG. 3 is a back view thereof;  
FIG. 4 is a left side view thereof;  
FIG. 5 is a right side view thereof;  
FIG. 6 is a top view thereof;  
FIG. 7 is a bottom view thereof; and,  
FIG. 8 is a perspective view of another state of the foldable bracket thereof.

The broken lines shown in the drawings depict portions of the foldable bracket in which the design is embodied that form no part of the claimed design.

**1 Claim, 8 Drawing Sheets**

(56) **References Cited**  
**U.S. PATENT DOCUMENTS**

D344,966 S \* 3/1994 Friedman ..... D16/136  
D567,070 S \* 4/2008 George ..... D8/371  
D638,638 S \* 5/2011 Fitzpatrick ..... D6/656.11  
D656,500 S \* 3/2012 Maruyama ..... D14/447  
D673,961 S \* 1/2013 Matsui ..... D14/447  
D703,214 S \* 4/2014 Lye ..... D14/447  
8,783,641 B2 \* 7/2014 Lin ..... F16M 11/10  
248/463  
D825,573 S \* 8/2018 Belitz ..... D14/447  
D833,446 S \* 11/2018 Elder ..... D14/447  
D839,869 S \* 2/2019 Wang ..... D14/253  
D874,452 S \* 2/2020 Chen ..... D14/252  
D904,387 S \* 12/2020 Zhang ..... D14/253



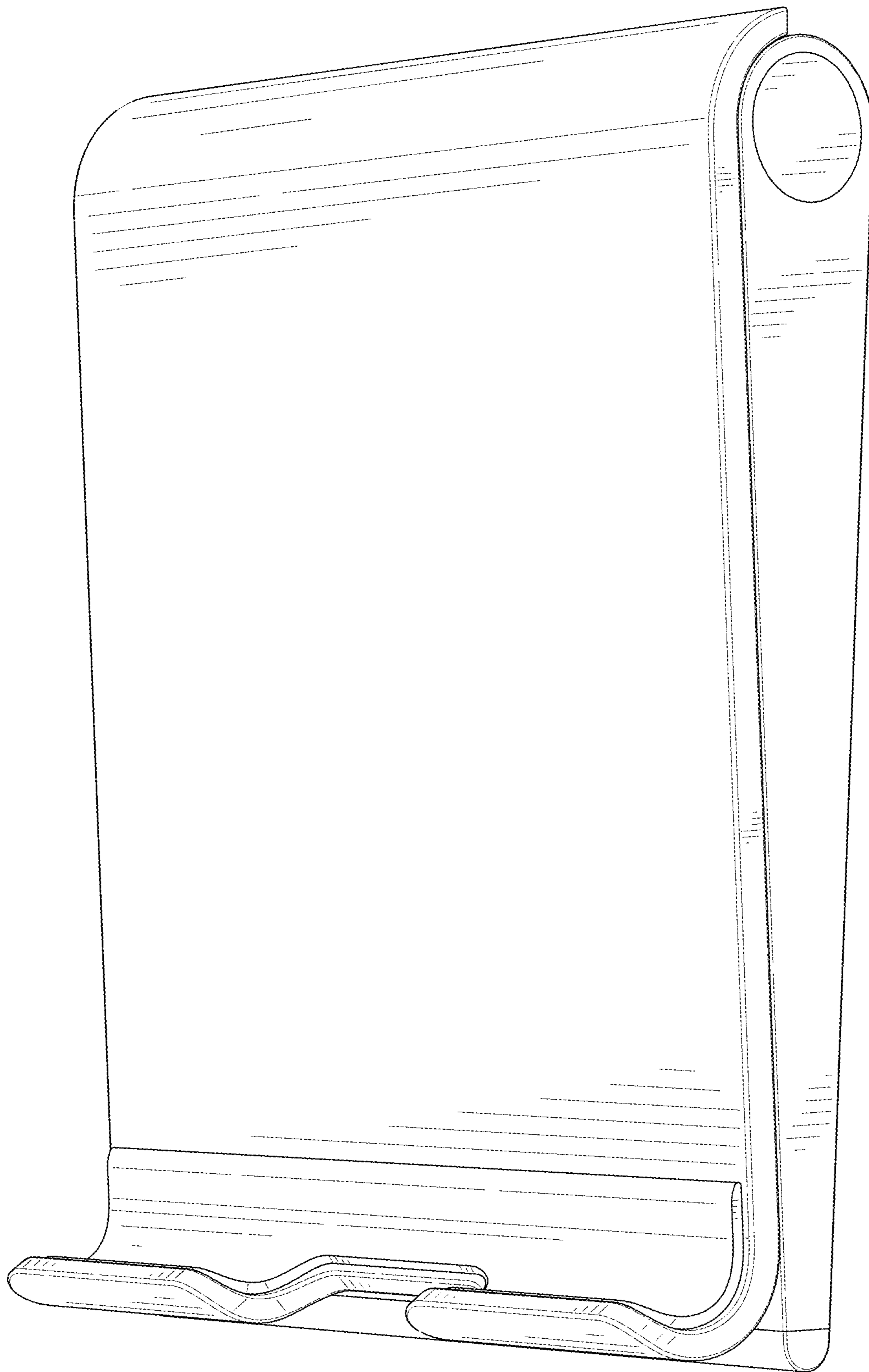


FIG. 1

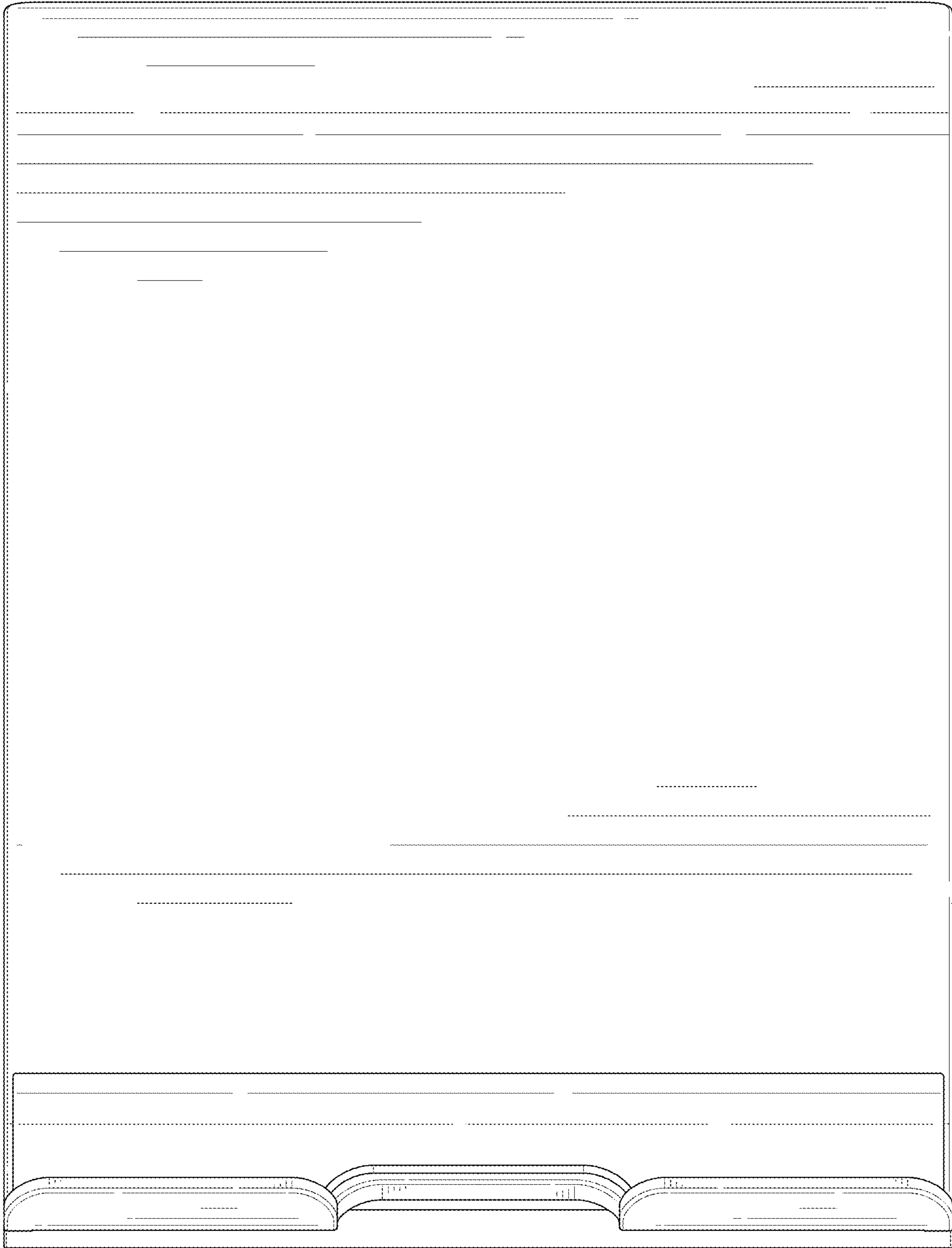


FIG. 2

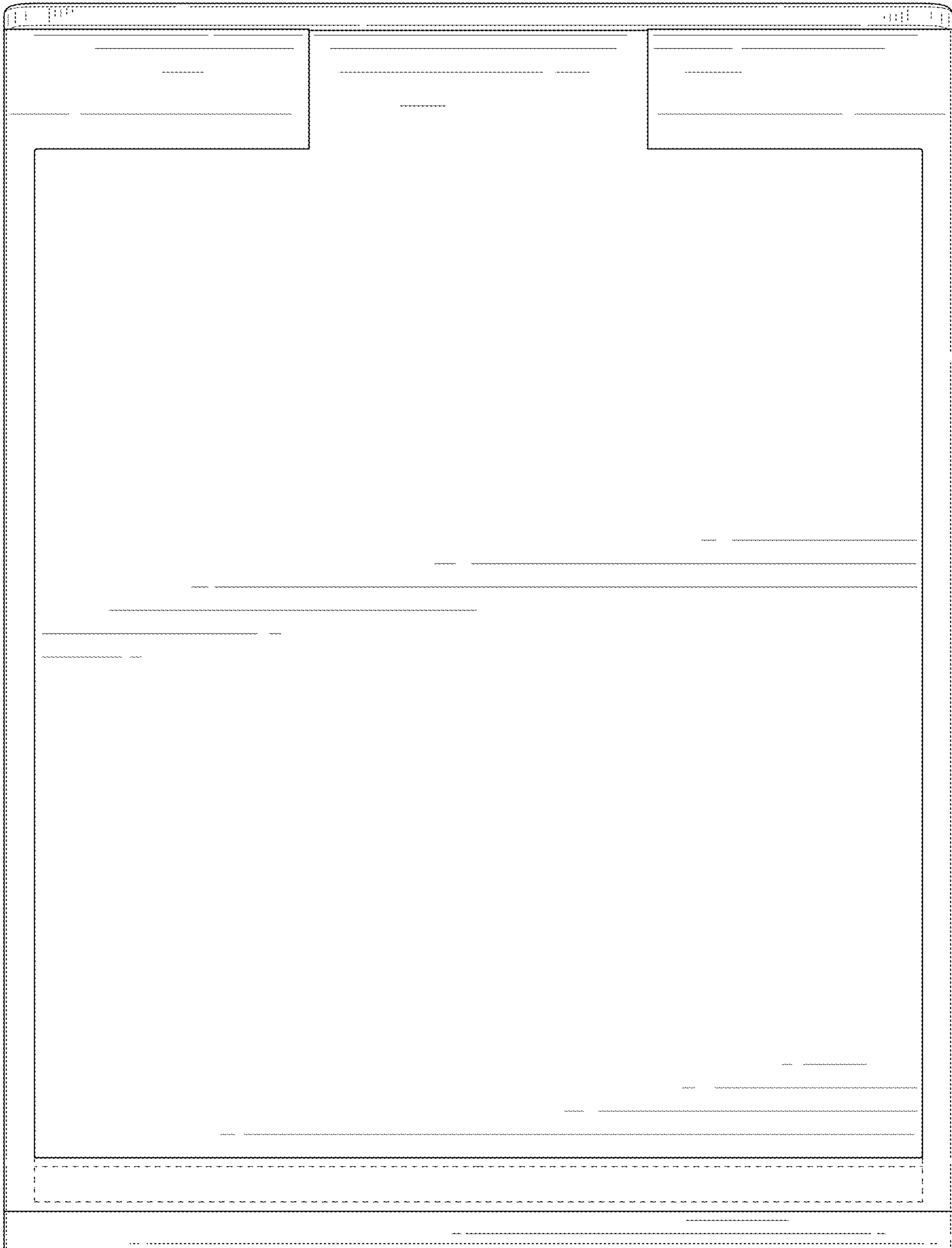


FIG. 3

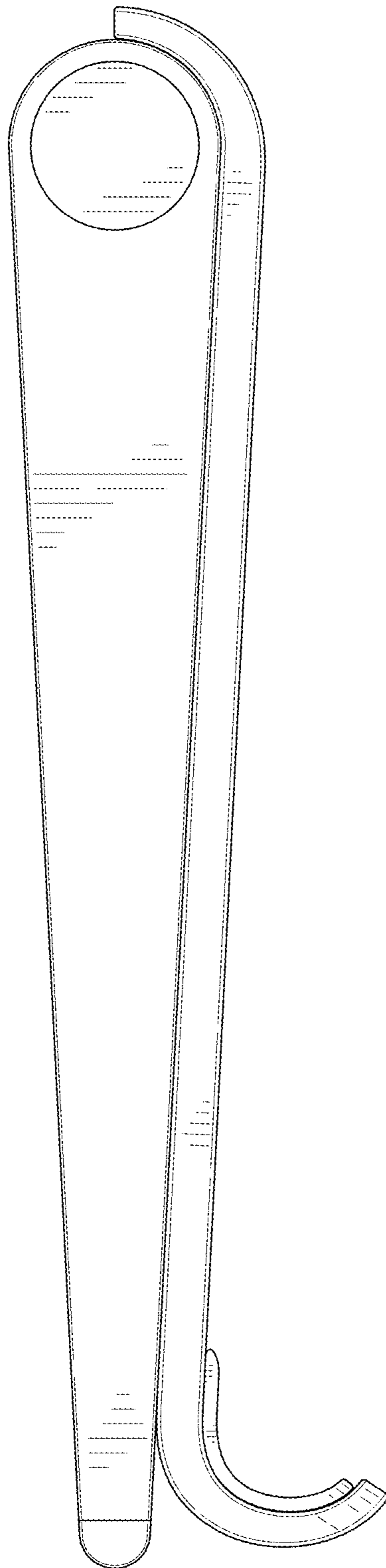


FIG. 4

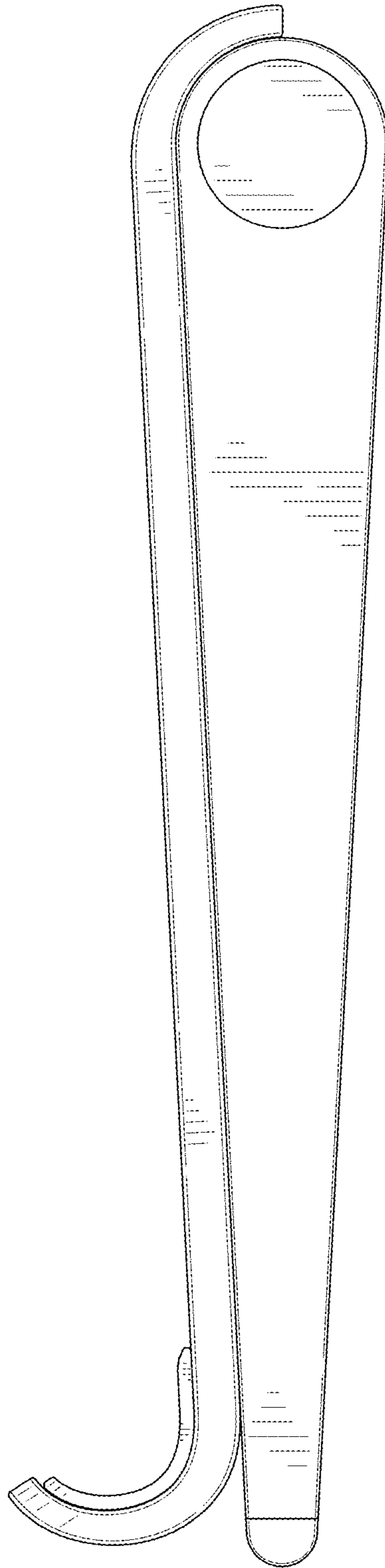


FIG. 5

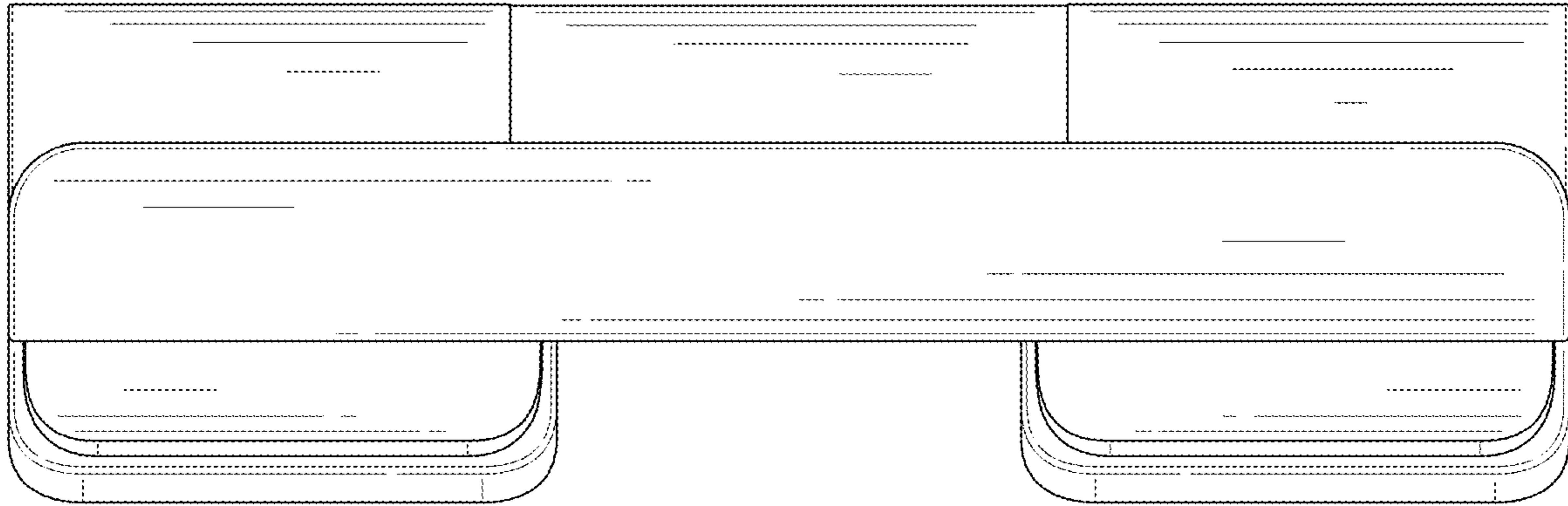


FIG. 6

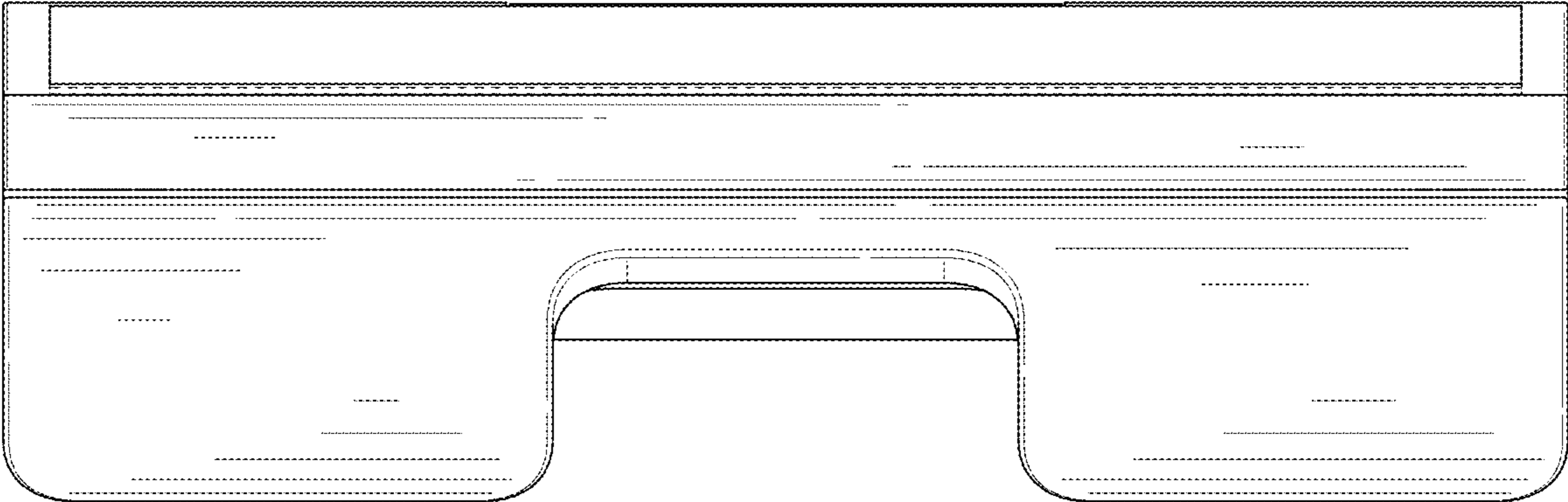


FIG. 7



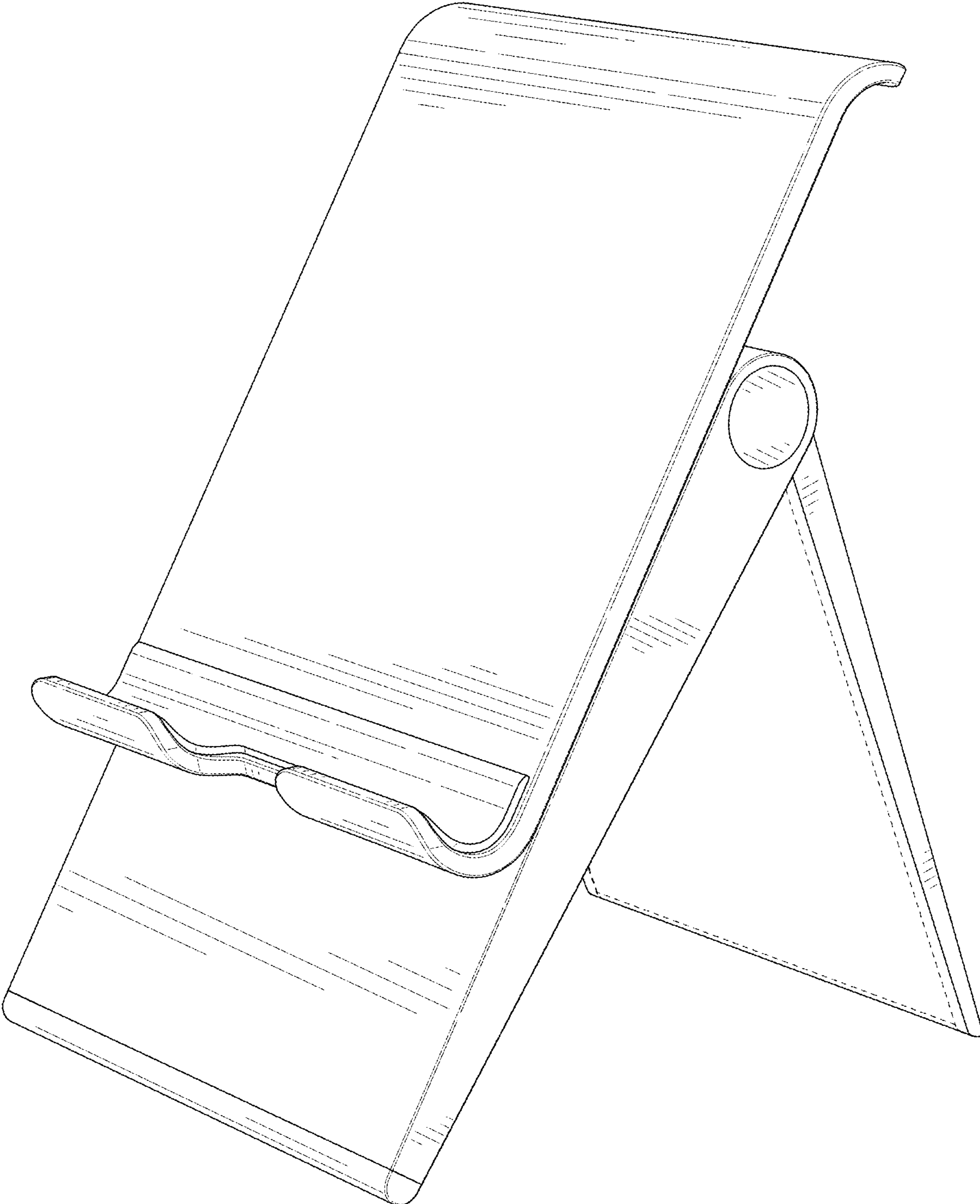


FIG. 8