



US00D944805S

(12) **United States Design Patent**
Feng

(10) **Patent No.:** **US D944,805 S**

(45) **Date of Patent:** **** Mar. 1, 2022**

(54) **SERVER PANEL**

(71) Applicant: **Cambricon Technologies Corporation Limited**, Beijing (CN)

(72) Inventor: **Xiaobing Feng**, Beijing (CN)

(73) Assignee: **Cambricon Technologies Corporation Limited**, Beijing (CN)

(**) Term: **15 Years**

(21) Appl. No.: **29/712,361**

(22) Filed: **Nov. 7, 2019**

(30) **Foreign Application Priority Data**

Sep. 27, 2019 (CN) 201930533607.X

(51) **LOC (13) Cl.** **14-02**

(52) **U.S. Cl.**
USPC **D14/441**; D14/313; D14/353

(58) **Field of Classification Search**
USPC D14/300-304, 308-314, 328, 348-370,
D14/432, 435, 440-446, 479-483, 140.1,
D14/140.4, 164, 193; D13/152, 184
CPC ... G06F 1/16; G06F 1/19; G06F 1/181; G06F
1/182; G06F 1/20; G06F 1/206; H05K
7/1427; H05K 7/1485; H05K 7/1487;
H05K 7/20; H05K 5/00
See application file for complete search history.

(56) **References Cited**

U.S. PATENT DOCUMENTS

D487,741 S * 3/2004 Tsuzuki D14/302
D504,897 S * 5/2005 Wood D14/444
D593,102 S * 5/2009 Dearborn D14/313
D693,823 S * 11/2013 Chen D14/440
D694,247 S * 11/2013 Besterman D14/444
D694,760 S * 12/2013 Besterman D14/444
D697,513 S * 1/2014 Morooka D14/441
D749,560 S * 2/2016 Hallar D14/301
D759,027 S * 6/2016 Magi D14/480.1

D763,245 S * 8/2016 Jasinski D14/300
9,549,480 B1 * 1/2017 Besterman H05K 5/0204
D782,536 S * 3/2017 Chu D14/496
D791,774 S * 7/2017 Wilcox D14/444

(Continued)

OTHER PUBLICATIONS

Cutress, Ian, Cambricon, Makers of Huawei's Kirin NPU IP, Build A Big AI Chip and PCIe Card, posted at AnandTech, posting date May 26, 2018. Site visited Mar. 27, 2021. URL: <<https://www.anandtech.com/show/12815/cambricon-makers-of-huaweis-kirin-npu-ip-build-a-big-ai-chip-and-pcie-card>> (Year: 2018).*

(Continued)

Primary Examiner — Kathleen L Jones

(74) *Attorney, Agent, or Firm* — Getech Law LLC; Jun Ye

(57) **CLAIM**

The ornamental design for a server panel, as shown and described.

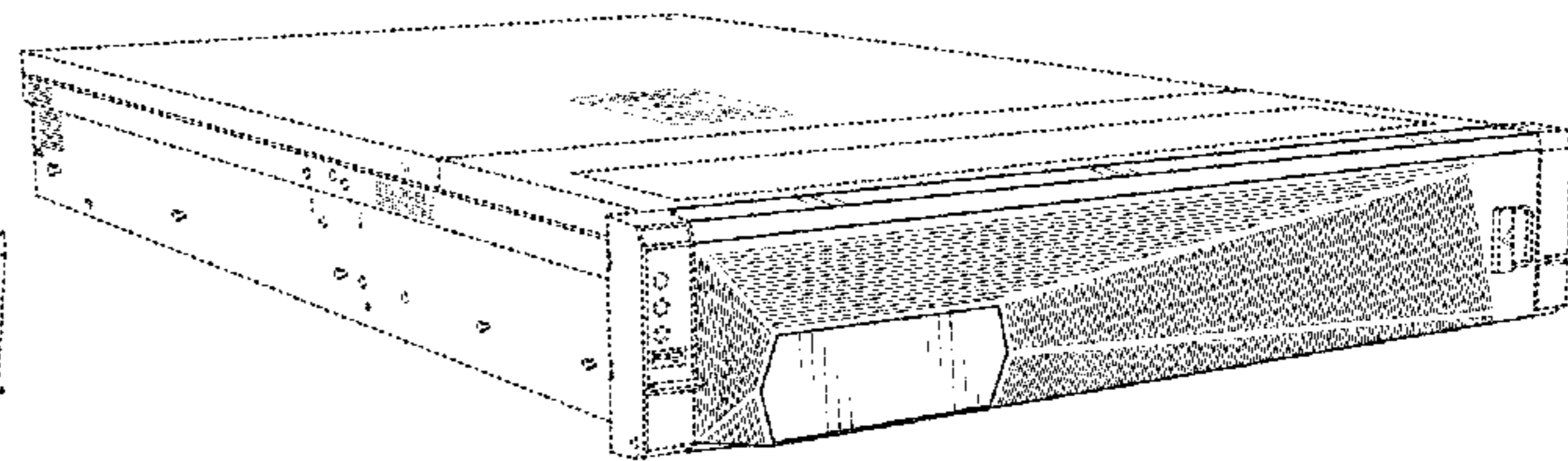
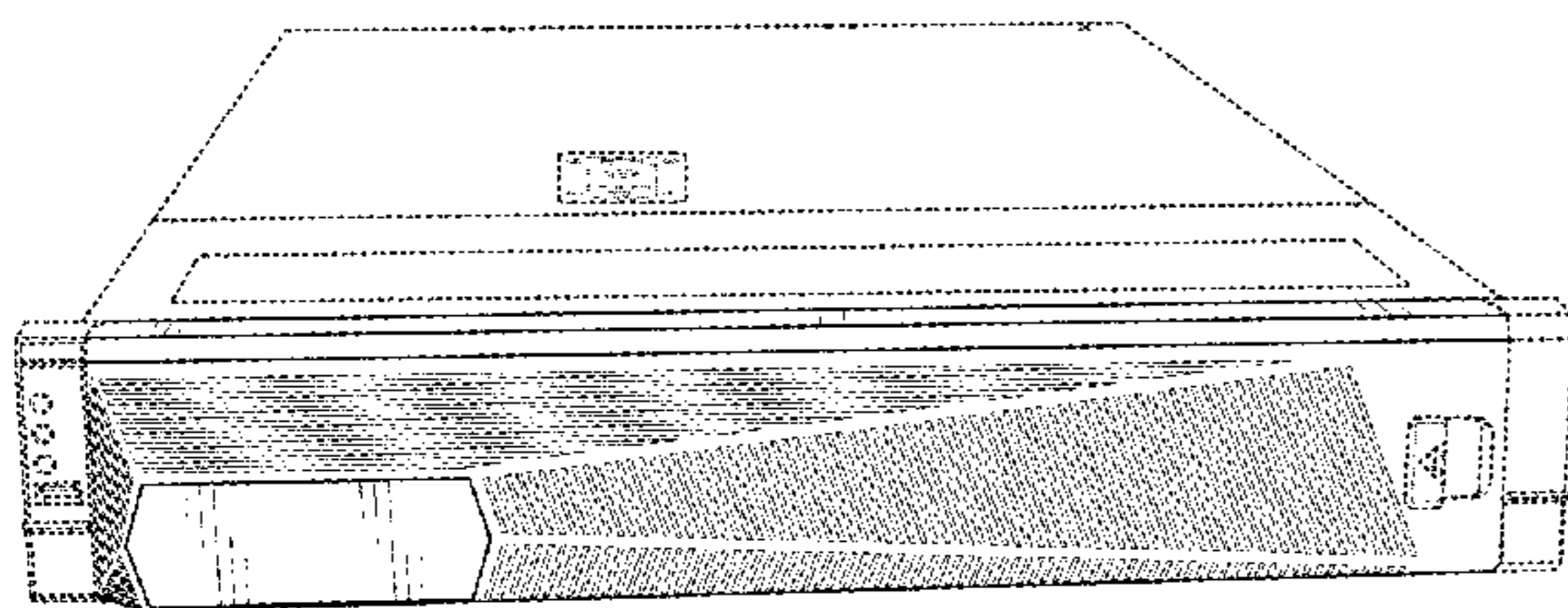
DESCRIPTION

FIG. 1 is a top view of the server panel in accordance with the present design;
FIG. 2 is a bottom view thereof;
FIG. 3 is a front view thereof;
FIG. 4 is a back side view thereof;
FIG. 5 is a left side view thereof;
FIG. 6 is a right view thereof;
FIG. 7 is a perspective view thereof; and,
FIG. 8 is another perspective view thereof.

The features shown in broken lines in the various Figures are for illustrating environmental structure and form no part of the claimed design.

The interior features partially visible through the small elongated vent openings in FIGS. 1-3 and 8, which are too small to clearly depict in broken lines, form no part of the claimed design.

1 Claim, 8 Drawing Sheets



(56)

References Cited

U.S. PATENT DOCUMENTS

| | | | | | | |
|--------------|----|---|---------|-----------|-------|--------------------------|
| D803,224 | S | * | 11/2017 | Besterman | | D14/441 |
| D803,225 | S | * | 11/2017 | Besterman | | D14/441 |
| D815,642 | S | * | 4/2018 | Wilcox | | D14/441 |
| D825,466 | S | * | 8/2018 | Wilcox | | D13/133 |
| D825,484 | S | * | 8/2018 | Wilcox | | D13/152 |
| D833,401 | S | * | 11/2018 | Wilcox | | D13/152 |
| D835,050 | S | * | 12/2018 | Wilcox | | D13/152 |
| D839,260 | S | * | 1/2019 | Lee | | D14/301 |
| D840,406 | S | * | 2/2019 | Caggiani | | D14/444 |
| D851,052 | S | * | 6/2019 | Wilcox | | D13/184 |
| D877,733 | S | * | 3/2020 | Bhat | | D14/314 |
| D888,059 | S | * | 6/2020 | Ranade | | D14/432 |
| D891,436 | S | * | 7/2020 | Gundogan | | D14/441 |
| D896,807 | S | * | 9/2020 | Li | | D14/313 |
| D910,027 | S | * | 2/2021 | Kawano | | D14/444 |
| D928,169 | S | * | 8/2021 | Chiu | | D14/441 |
| D928,170 | S | * | 8/2021 | Chiu | | D14/441 |
| D934,870 | S | * | 11/2021 | Draca | | D14/444 |
| 2014/0218859 | A1 | * | 8/2014 | Shelnutt | | G06F 1/206 361/679.46 |

OTHER PUBLICATIONS

Hardawar, Devindra, The best gaming PCs and accessories for students, posted at Engadget, posting date Jul. 22, 2019. Site visited Mar. 27, 2021. URL: <<https://www.engadget.com/2019-07-22-best-gaming-pcs-games-accessories-for-students-2019.html>> (Year: 2019).*

Hollister, Sean, Alienware Aurora R9 and G5 5090 are Dell's new bang-for-the-buck gaming PCs, posted at circuit breaker, posting date Aug. 19, 2019. Site visited Mar. 27, 2021. URL: <<https://www.theverge.com/circuitbreaker/2019/8/19/20811706/alienware-aurora-r9-dell-g5-5090>> (Year: 2019).*

* cited by examiner

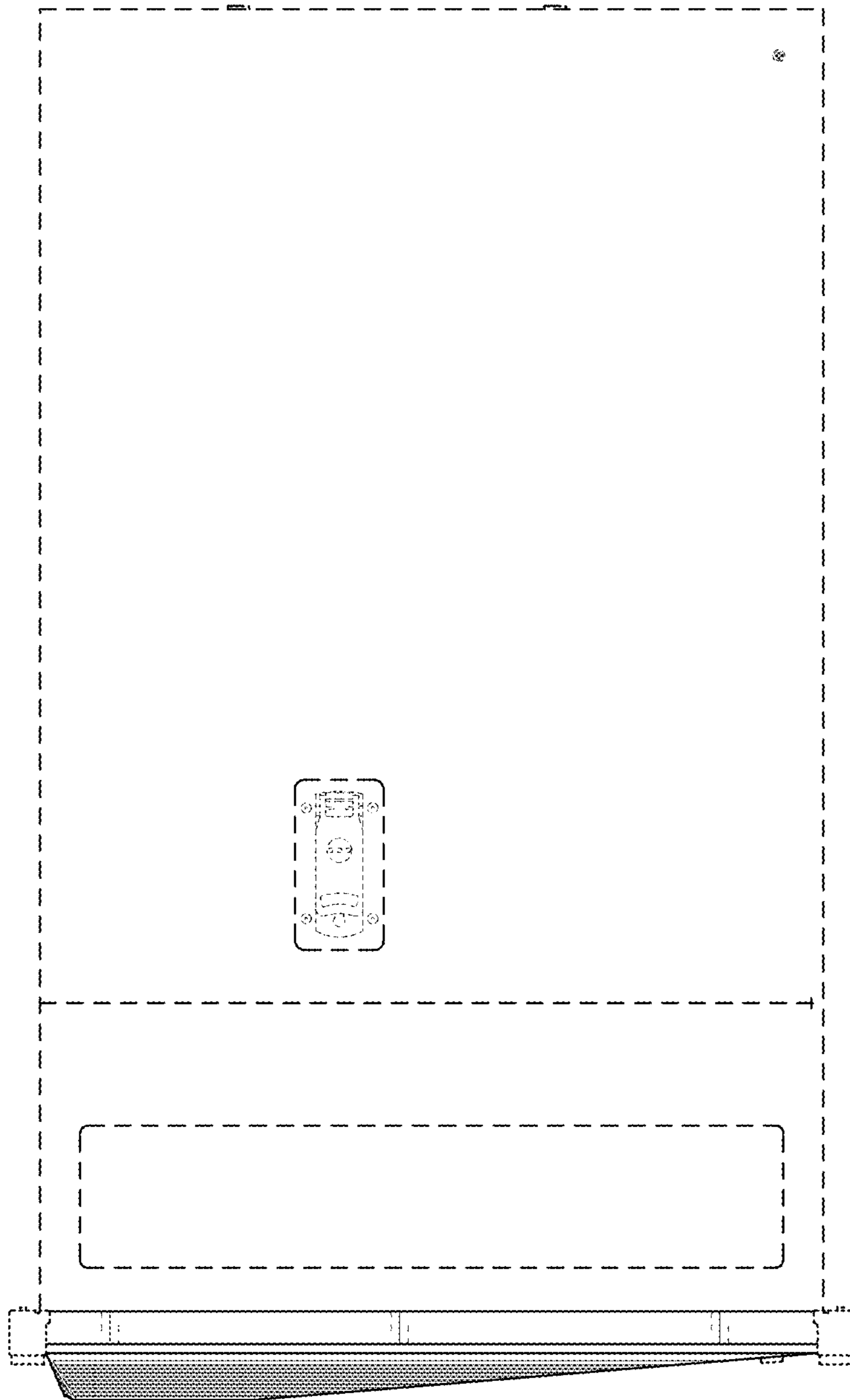


FIG. 1

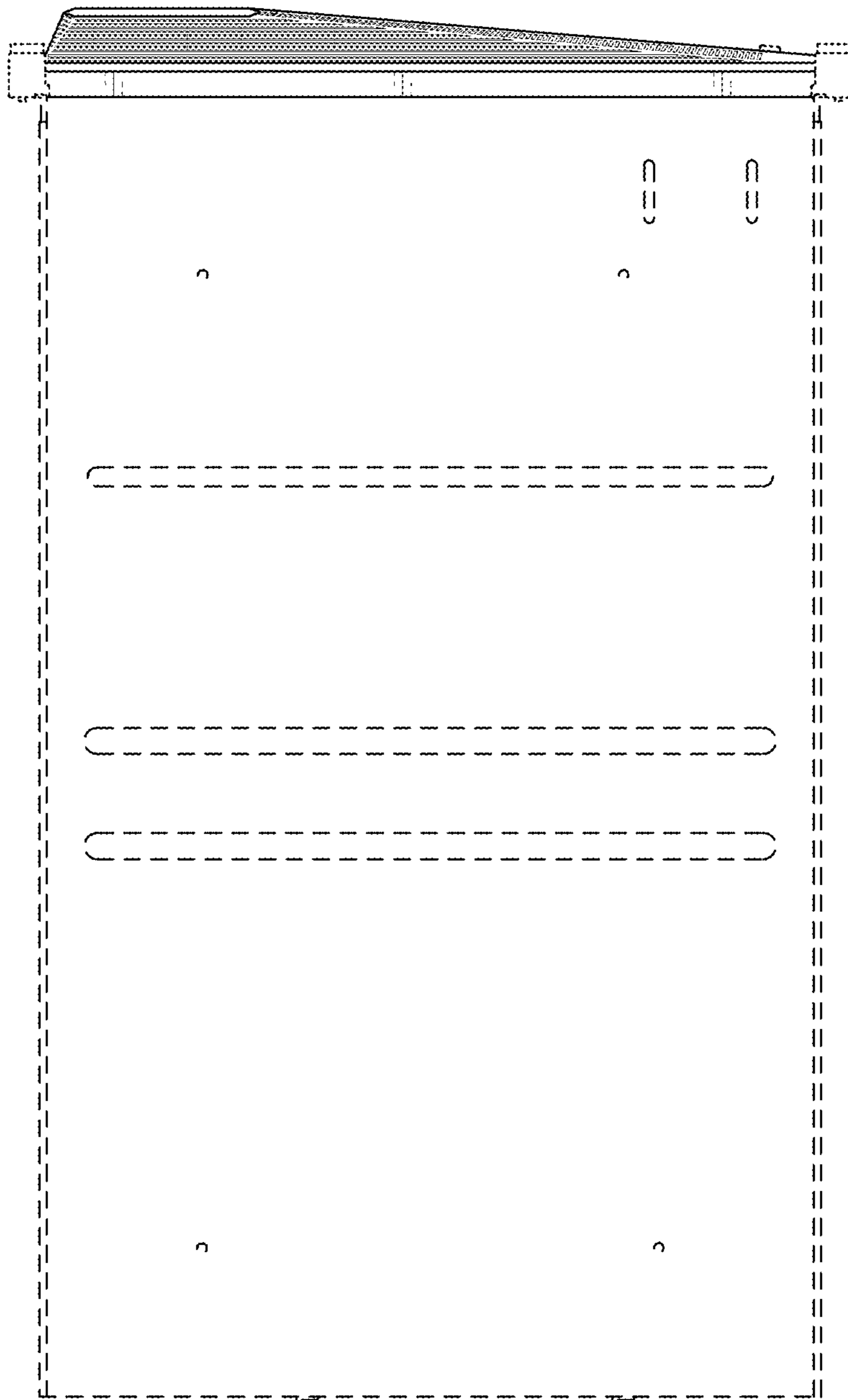


FIG. 2

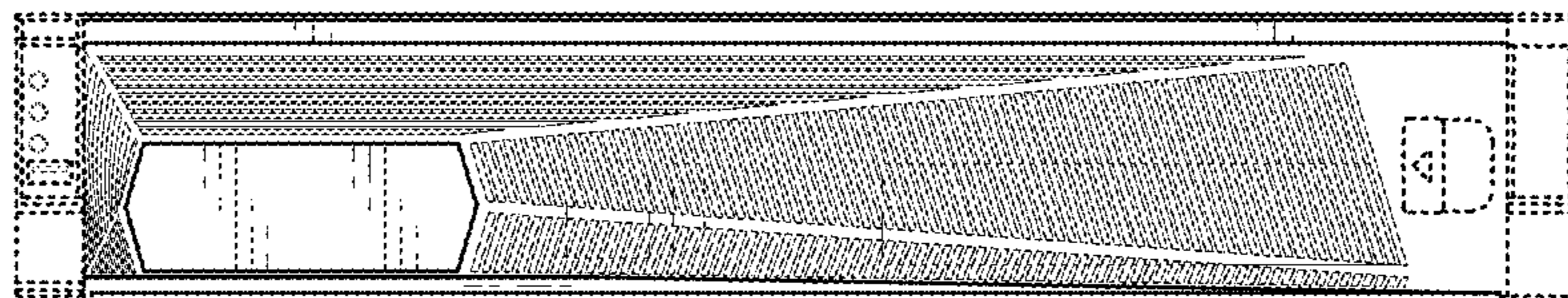


FIG. 3



FIG. 4

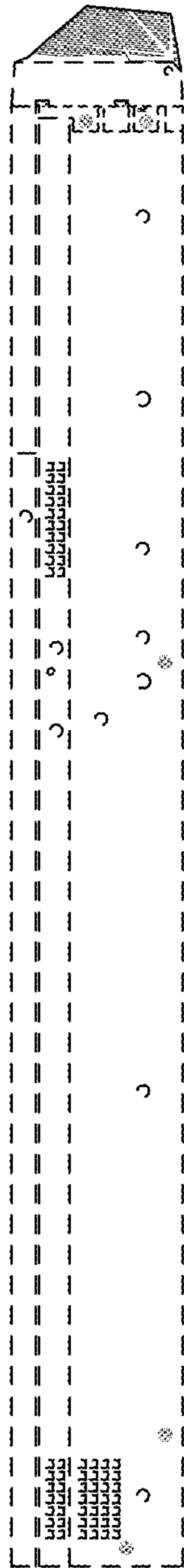


FIG. 5

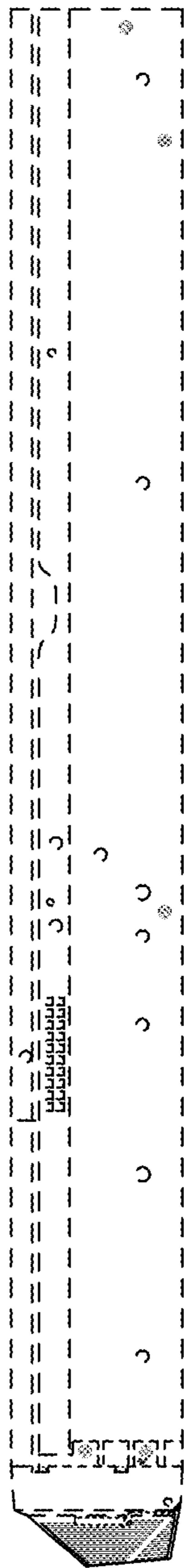


FIG. 6

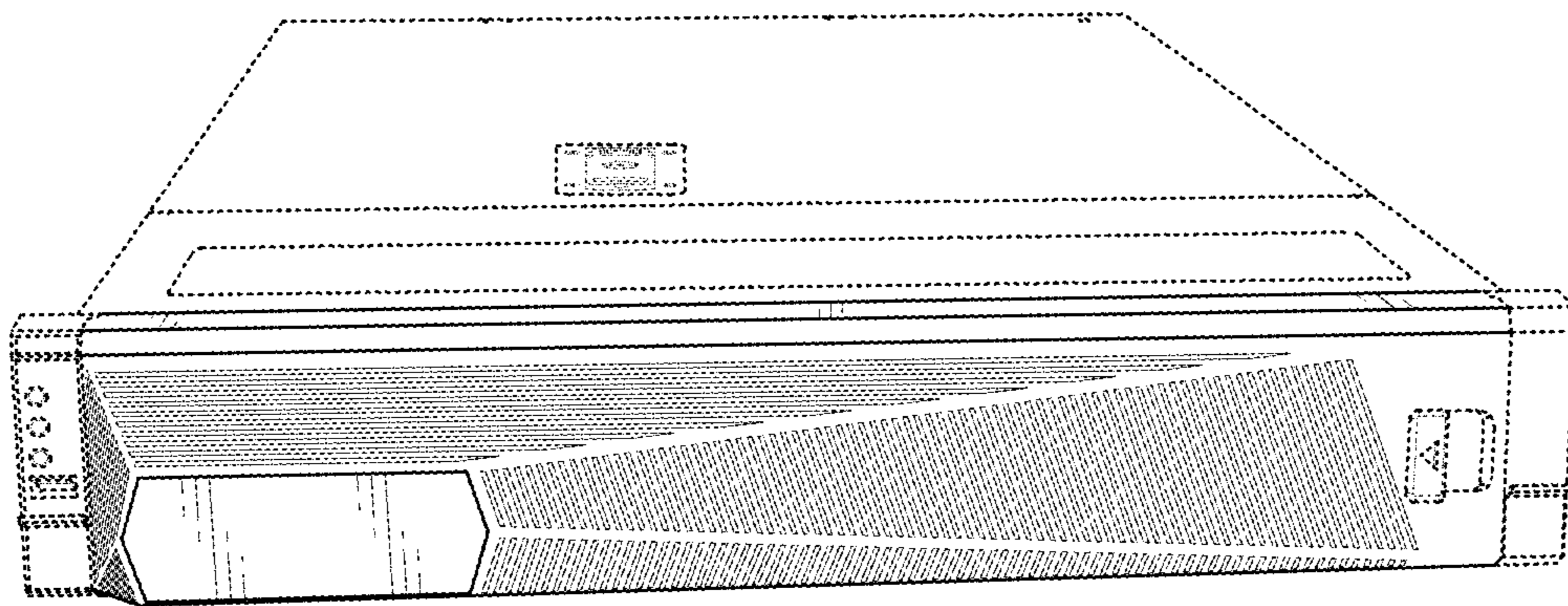


FIG. 7

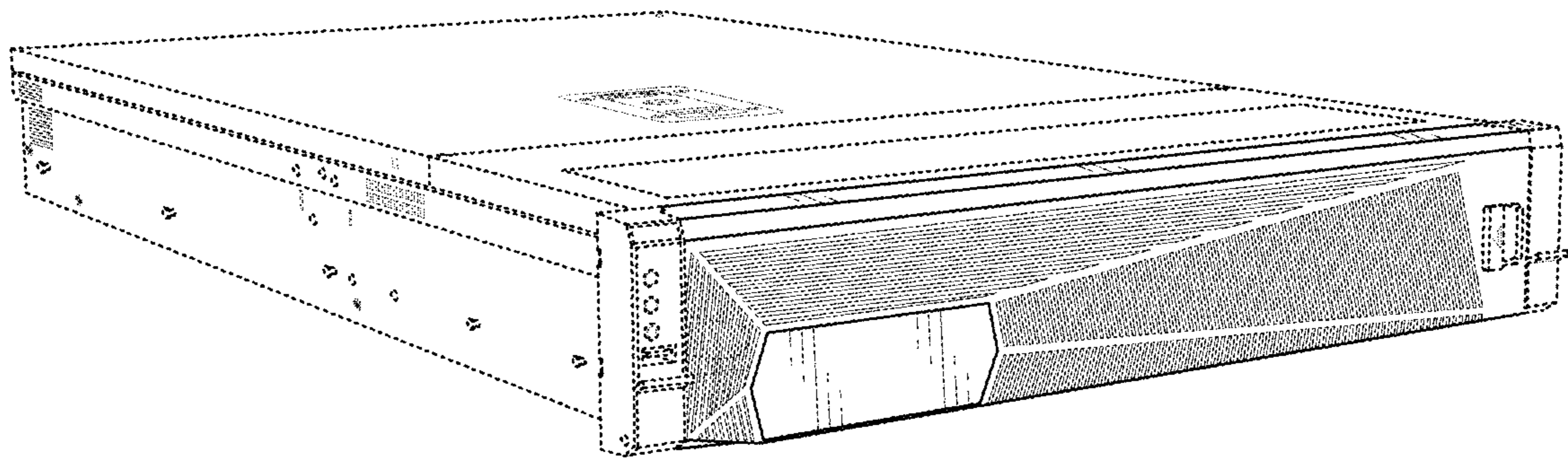


FIG. 8