



US00D944804S

(12) **United States Design Patent**
Diebel

(10) **Patent No.:** **US D944,804 S**
(45) **Date of Patent:** **** Mar. 1, 2022**

(54) **COVER FOR ELECTRONIC TABLET**

(71) Applicant: **Incase Designs Corp.**, Los Angeles, CA (US)

(72) Inventor: **Markus Diebel**, San Francisco, CA (US)

(73) Assignee: **Vinci Brands LLC**, Tustin, CA (US)

(**) Term: **15 Years**

(21) Appl. No.: **29/662,019**

(22) Filed: **Aug. 31, 2018**

Related U.S. Application Data

(63) Continuation of application No. 29/559,545, filed on Mar. 29, 2016, now Pat. No. Des. 827,650, which is (Continued)

(51) **LOC (13) Cl.** **14-02**

(52) **U.S. Cl.**
USPC **D14/440**

(58) **Field of Classification Search**
USPC D14/439, 440, 345, 341-344, 346, 371, D14/125-129, 327, 248; 206/320, 576, 206/305, 215, 232, 524, 425, 472, 224, 206/312, 387.13, 307, 387.1, 756, 206/45.2-45.34, 764, 765; D3/286, 283, D3/295, 273, 303, 247, 215, 245, 232, D3/900, 249, 201, 276, 294, 301, 319, D3/203.1, 323, 227; 224/929; 708/110; 190/109, 100, 119, 901; 361/683, 725, 361/681, 686, 679, 679.01; 229/87.5, 229/67.1, 800; 220/522, 4.23; 345/169, 345/104, 156, 168, 173, 179, 672, 174; 150/147, 135; 402/2, 70-79, 500-502; 281/45, 38, 31, 29, 19.1, 34; D19/3, 26, D19/27, 33, 75, 86, 22, 90, 59, 60, 78, D19/83; D18/7, 17, 18; 383/97, 4, 110; 178/18.03, 18.01; 349/12; 428/332;

D6/632, 407, 596, 601, 310, 611, 502, D6/583, 582, 595; 248/458-460; D13/102, 184; D20/18, 27, 42; 40/654.01, 536; D15/122; D21/480, D21/690; D25/48; D12/401, 182, 203, D12/400, 191; D24/205, 206, 200, 188, D24/207, 212, 215; 280/808; 112/420; 5/420; 604/308; 601/15, 108, 112, 60, 601/64, 70, 71; 160/370.23, 370.21; D7/629, 392.1; D28/7, 8, 83, 84, 82; 15/118; D32/40; 424/443; 442/123; D23/304; D9/435

(Continued)

(56) **References Cited**

U.S. PATENT DOCUMENTS

144,315 A * 11/1873 Cooper A61F 13/12
604/308
640,534 A * 1/1900 Cheney A61F 7/02
165/46

(Continued)

Primary Examiner — Susan Moon Lee

(57) **CLAIM**

I claim the ornamental design for a cover for electronic tablet, as shown and described.

DESCRIPTION

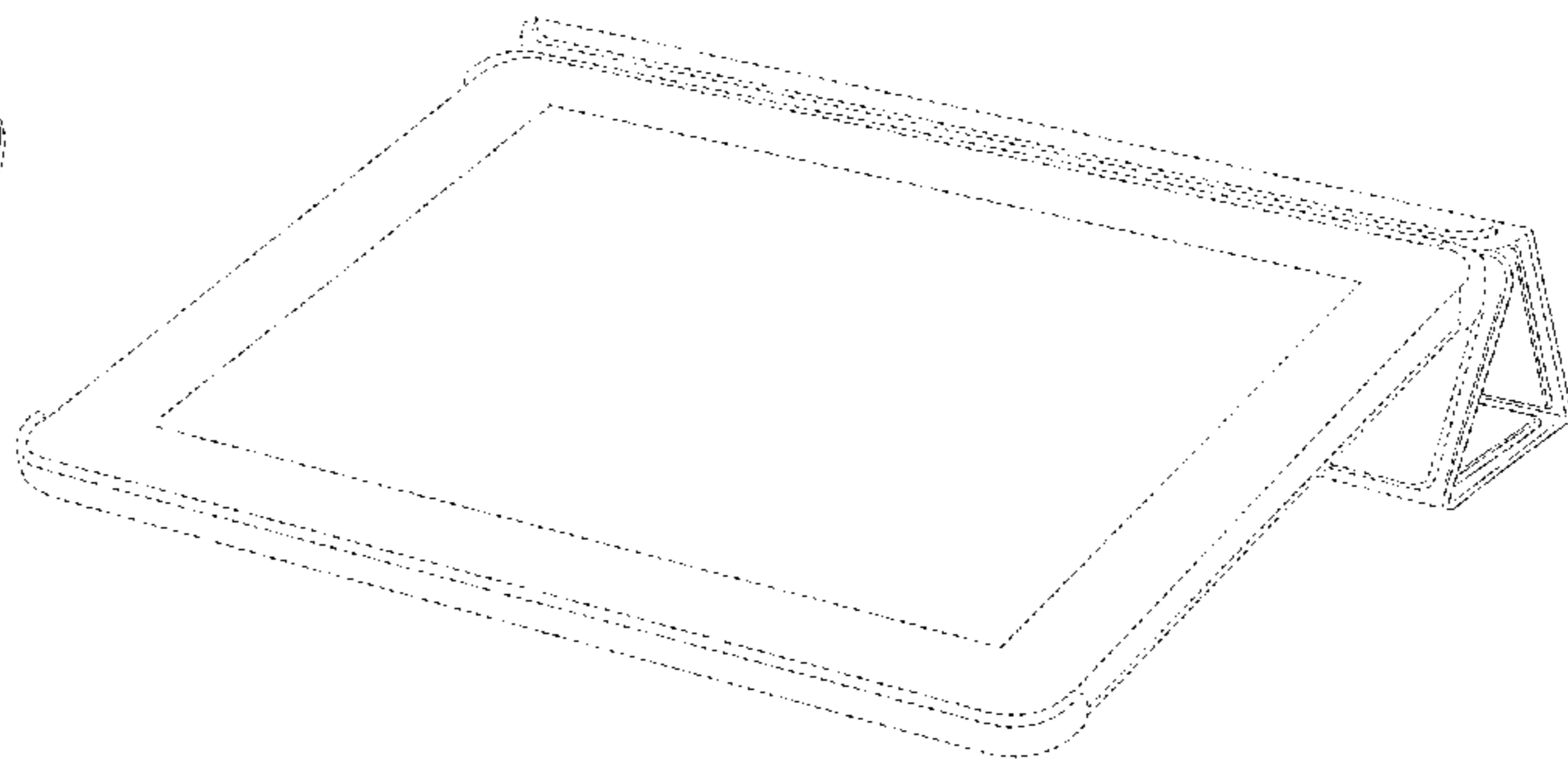
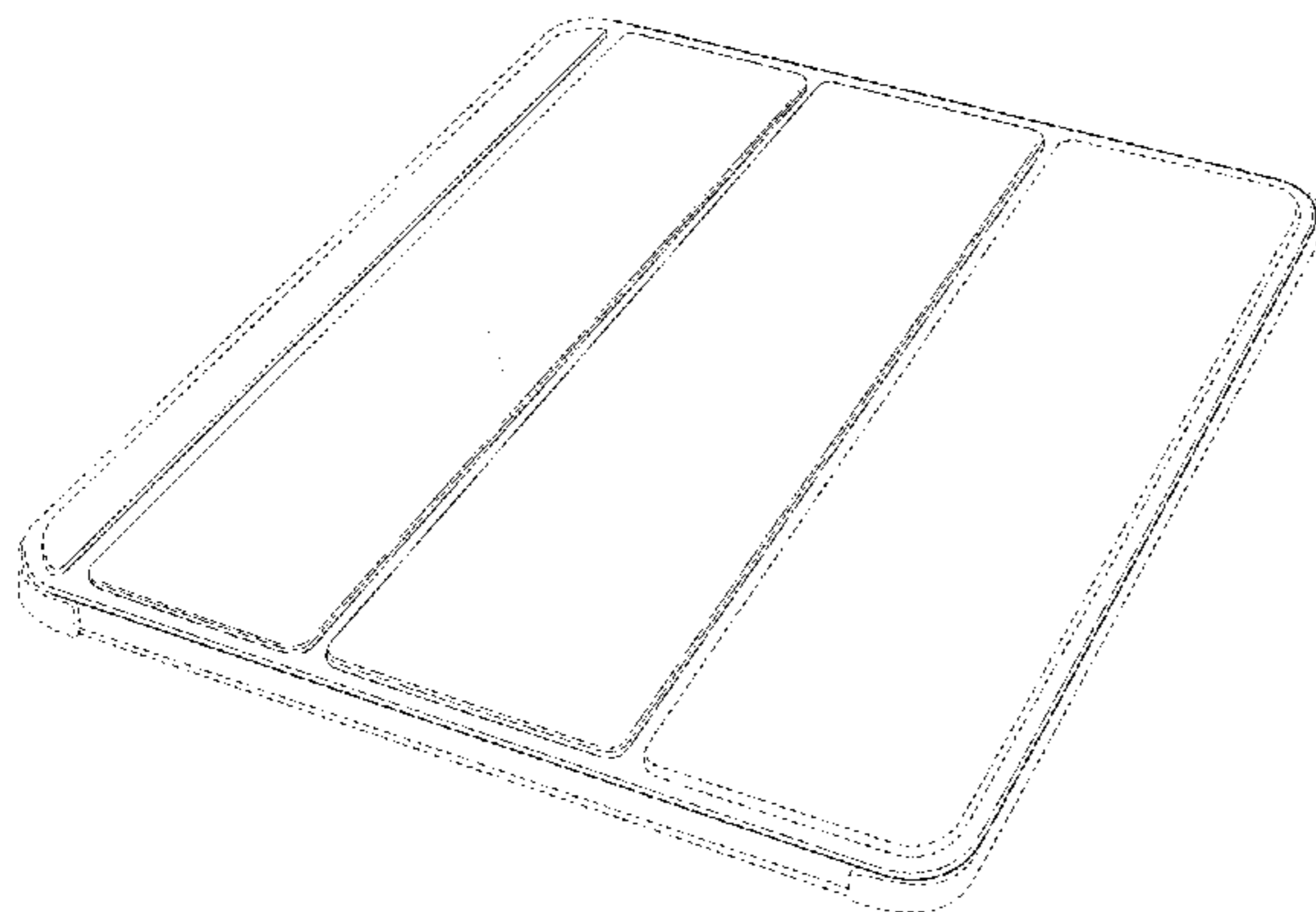
FIG. 1 is a perspective view of a cover for electronic tablet showing my new design.

FIG. 2 is a front view thereof; and,

FIG. 3 is a perspective view of the cover for electronic tablet in its folded stand configuration shown in use with an electronic tablet.

The broken-line features in the figures are for illustrative purposes only and form no part of the claimed design.

1 Claim, 3 Drawing Sheets



Related U.S. Application Data

a continuation of application No. 29/469,237, filed on Oct. 8, 2013, now Pat. No. Des. 752,593, which is a continuation of application No. 29/419,050, filed on Apr. 24, 2012, now Pat. No. Des. 691,142, which is a continuation of application No. 29/387,775, filed on Mar. 17, 2011, now Pat. No. Des. 658,187.

(52) **U.S. Cl.**

CPC **G06F 1/1679** (2013.01); **G06F 1/1628** (2013.01)

(58) **Field of Classification Search**

CPC . G06F 1/00; G06F 1/16; G06F 1/1601; G06F 1/1603; G06F 1/1607; G06F 1/1611; G06F 1/1613; G06F 1/1616; G06F 1/1618; G06F 1/162; G06F 1/1622; G06F 1/1626; G06F 1/1632; G06F 1/1637; G06F 1/1628; A45C 11/00; A45C 13/005; A45C 5/02; A45C 2011/003; A45C 2013/025; A45C 2200/15; Y10T 29/49826; Y10T 29/49002

See application file for complete search history.

(56)

References Cited

U.S. PATENT DOCUMENTS

1,347,839 A * 7/1920 Coons B65D 5/5206
206/45.23
1,356,593 A * 10/1920 Bettiker 5/420
1,659,395 A * 2/1928 Douglas B42F 13/402
402/70
1,955,040 A * 4/1934 Wittcoff B60N 2/60
297/219.1
D104,699 S * 5/1937 Pilliod D9/435
2,165,255 A * 7/1939 Hamilton A47B 23/043
248/455
D123,984 S * 12/1940 Pichel D3/245
2,279,164 A * 4/1942 Gettleman G09F 23/10
283/56
D137,864 S * 5/1944 Jolles D3/243
D164,628 S * 9/1951 Davis D9/435
2,596,292 A * 5/1952 Sackner B68G 11/03
428/171
D167,065 S * 6/1952 Bohanan D6/583
D167,743 S * 9/1952 Dorfman D24/207
2,631,046 A * 3/1953 Stephens G09F 1/04
283/56
2,675,807 A * 4/1954 Pursel E04H 15/003
607/95
2,738,834 A * 3/1956 Jaffe A47G 9/10
5/420
2,834,703 A * 5/1958 Atkinson D04H 1/559
428/163
2,834,970 A * 5/1958 Nappe A47C 27/122
5/420
2,870,464 A * 1/1959 Lalick A47G 9/0207
5/484
2,983,431 A * 5/1961 Turan B42D 15/08
229/92.3
3,015,834 A * 1/1962 Marrinson A47L 13/254
15/228
D192,953 S * 5/1962 Zelony D24/207
3,061,844 A * 11/1962 Coursey A47C 27/001
5/640
3,069,203 A * 12/1962 Propus B60N 2/6054
297/452.43
3,257,128 A * 6/1966 Schneider B42D 1/00
281/39
3,336,610 A * 8/1967 Geddings A47D 15/00
5/420

3,427,020 A * 2/1969 Montour A63B 21/065
482/105
3,459,179 A * 8/1969 Olesen A47C 27/12
601/134
3,460,744 A * 8/1969 Turkenkopf B42D 15/08
229/92.1
3,568,227 A * 3/1971 Dunham A47G 9/1027
5/655.3
3,587,578 A * 6/1971 Walker A61H 36/00
604/304
D222,602 S * 11/1971 Petrie D3/247
3,735,516 A * 5/1973 Wenstrom B42F 5/00
40/536
3,758,065 A * 9/1973 Ranseen G09F 5/00
248/459
3,769,741 A * 11/1973 Hessler A01K 97/06
43/57.1
D230,376 S * 2/1974 Andrew D19/91
3,797,146 A * 3/1974 Holes B42F 5/00
40/536
D232,825 S * 9/1974 Gerber D12/203
3,900,035 A * 8/1975 Welch A61F 7/10
607/108
3,970,332 A * 7/1976 Alford, Jr. B42D 15/00
281/31
D245,458 S * 8/1977 Hauss D3/247
4,044,942 A * 8/1977 Sherwood B42D 15/08
229/305
D251,082 S * 2/1979 Petrie D19/20
4,197,342 A * 4/1980 Bethe B32B 3/30
428/159
D255,523 S * 6/1980 Yarabinec D6/596
D255,524 S * 6/1980 Yarabinec D6/596
D258,723 S * 3/1981 Cornou D7/629
4,310,117 A * 1/1982 Gullett G03C 3/003
229/301
D268,696 S * 4/1983 Bowen D24/207
4,389,742 A * 6/1983 DeWitt A47C 27/081
5/654
4,433,783 A * 2/1984 Dickinson B65D 77/08
206/484
D274,493 S * 7/1984 Dyby D6/392
D275,153 S * 8/1984 Weinreb 224/264
4,520,958 A * 6/1985 Jones B65D 27/08
229/72
4,566,720 A * 1/1986 Goldman B42D 3/12
229/301
D283,231 S * 4/1986 Bradenburger D10/46.1
4,586,506 A * 5/1986 Nangle A61F 7/02
128/DIG. 15
4,592,358 A * 6/1986 Westplate A61F 7/02
482/105
4,607,817 A * 8/1986 Aquino A47B 23/044
206/214
4,621,729 A * 11/1986 Jackson A61G 12/00
150/147
4,629,070 A * 12/1986 Roberg B42F 7/02
206/232
4,630,863 A * 12/1986 Roberts A47C 27/001
297/219.1
4,643,544 A * 2/1987 Loughran B60R 1/081
359/854
D290,654 S * 6/1987 Ohnishi 601/46
4,671,334 A * 6/1987 Yadegar B60J 1/2091
160/370.23
D290,918 S * 7/1987 Ball D24/206
4,679,848 A * 7/1987 Spierings A47C 7/425
297/230.14
4,693,495 A * 9/1987 LaPointe B60R 22/00
280/808
D293,428 S * 12/1987 Watts D12/191
D296,006 S * 5/1988 Asche D24/189
D297,228 S * 8/1988 Harpaz D12/183
4,787,766 A * 11/1988 Lorsch B42F 5/04
402/79

US D944,804 S

(56)

References Cited

U.S. PATENT DOCUMENTS

4,824,171	A *	4/1989	Hollingsworth	A47C 1/146 297/351	D369,998	S *	5/1996	Eskandry	D12/191
4,854,319	A *	8/1989	Tobin	A61F 7/10 607/109	D370,177	S *	5/1996	Bankier	D7/553.3
4,877,074	A *	10/1989	Castellano	B60J 1/2091 160/84.04	D370,650	S *	6/1996	Eskandry	D12/191
4,880,327	A *	11/1989	Sanabria	A47B 23/043 402/73	D371,929	S *	7/1996	Nilsson	D6/603
D306,850	S *	3/1990	Beedy	D12/191	5,566,871	A *	10/1996	Weintraub	A45F 3/12 2/268
D308,760	S *	6/1990	King	D3/279	5,653,195	A *	8/1997	Young	A01K 1/0157 119/28.5
D310,987	S *	10/1990	Law	D12/401	D383,213	S *	9/1997	Ingram	D24/206
D311,688	S *	10/1990	Hodge	D9/435	D389,509	S *	1/1998	Yasoshima	D18/17
D312,130	S *	11/1990	Jones	D24/207	D389,646	S *	1/1998	Sankey	D3/294
D312,214	S *	11/1990	Hodge	D3/323	D390,007	S *	2/1998	Ahern, Jr.	D3/323
4,969,683	A *	11/1990	Wallace	B60N 2/6027 297/219.1	D391,298	S *	2/1998	Johnson	D20/10
D312,835	S *	12/1990	Holm	D19/33	5,722,628	A *	3/1998	Menaged	A47B 23/043 211/50
D313,964	S *	1/1991	Fuller	D12/401	D405,200	S *	2/1999	Hines	D25/160
4,981,386	A *	1/1991	Beleckis	B42D 3/123 281/33	D406,463	S *	3/1999	Rutledge	D3/302
5,000,319	A *	3/1991	Mermelstein	B42F 5/00 206/455	5,887,723	A *	3/1999	Myles	G06F 1/1626 206/760
5,005,374	A *	4/1991	Spitler	A41D 13/0055 2/171.2	5,902,256	A *	5/1999	Benaron	A61H 23/0263 601/15
D317,329	S *	6/1991	Annand	D21/480	D411,353	S *	6/1999	Dickinson	D3/323
D318,372	S *	7/1991	Mackey	D3/319	5,911,657	A *	6/1999	Meiners	A47C 27/10 5/710
D319,016	S *	8/1991	Kahl	D7/605	5,996,778	A *	12/1999	Shih	A45C 11/34 206/214
D320,274	S *	9/1991	Douglas	D24/125	D418,867	S *	1/2000	Platte, III	D19/2
5,044,030	A *	9/1991	Balaton	A47C 27/087 5/710	6,058,535	A *	5/2000	Firkins, Jr.	A47C 7/021 5/653
D321,091	S *	10/1991	Dickinson	D3/294	6,058,536	A *	5/2000	Henry	A47C 27/12 5/691
D321,761	S *	11/1991	Shimizu	D24/187	6,122,785	A *	9/2000	Bondie	A42B 3/121 5/655.3
5,066,158	A *	11/1991	Huang	G02B 27/04 402/4	D432,477	S *	10/2000	Gorodetsky	D12/203
5,080,316	A *	1/1992	MacEwan	A47B 19/08 248/174	6,145,661	A *	11/2000	Jung	A45C 13/34 206/320
5,092,354	A *	3/1992	Pacelli, Jr.	A45D 40/22 132/294	D435,171	S *	12/2000	Anderson	D3/327
D325,637	S *	4/1992	O'Brien	D24/200	D436,179	S *	1/2001	Small	D24/206
D327,046	S *	6/1992	Eskandry	D12/191	D442,321	S *	5/2001	Cheng	D26/102
D329,747	S *	9/1992	Embree	D3/272	D445,744	S *	7/2001	Hsing	D12/191
5,143,341	A *	9/1992	Juster	A47B 21/0314 248/118	D446,982	S *	8/2001	Block	D6/583
D331,191	S *	11/1992	Ventola	D7/553.2	6,289,968	B1 *	9/2001	Karten	B60J 1/2091 160/370.21
5,179,944	A *	1/1993	McSymytz	A61F 7/02 607/114	D449,927	S *	11/2001	Dorizas	D3/201
5,228,655	A *	7/1993	Garcia	A47B 21/0371 248/118	6,388,872	B1 *	5/2002	Liao	G06F 1/1616 312/223.2
D341,373	S *	11/1993	Stern	D19/26	6,427,371	B2 *	8/2002	Olson	A47G 1/141 229/115
D342,790	S *	12/1993	Zona	D24/207	6,493,969	B2 *	12/2002	Devos	B42D 5/043 248/459
D344,590	S *	2/1994	Greene	D24/206	D468,868	S *	1/2003	Thorpe	D28/83
D345,014	S *	3/1994	Huffman	D24/124	6,527,330	B1 *	3/2003	Steffens	B60J 7/141 296/100.02
5,333,336	A *	8/1994	Langsam	A47C 4/54 5/654	D473,939	S *	4/2003	Hantke	D24/124
5,337,985	A *	8/1994	Hale	F16M 11/10 248/146	D473,940	S *	4/2003	Hantke	D24/124
D352,357	S *	11/1994	Ashley	D24/189	6,539,653	B1 *	4/2003	Finke	B42D 15/00 40/124.06
5,377,794	A *	1/1995	Book	A45C 9/00 190/1	6,543,949	B1 *	4/2003	Ritchey	A47B 21/0314 400/691
D356,120	S *	3/1995	Allen	D21/335	6,568,005	B2 *	5/2003	Fleming	A47C 27/001 5/420
5,431,449	A *	7/1995	Arimoto	G03D 15/001 206/455	D480,971	S *	10/2003	DeLuca	D9/456
D360,778	S *	8/1995	Apt, III	D6/663	6,634,691	B2 *	10/2003	Henderson	B60J 7/141 224/404
5,439,101	A *	8/1995	Brink	A47G 1/141 206/45.24	D484,736	S *	1/2004	Sarnoff	D7/323
D362,578	S *	9/1995	Ackley	D6/596	D487,521	S *	3/2004	Link	D25/138
5,450,858	A *	9/1995	Zablotsky	A61F 5/012 128/876	D487,551	S *	3/2004	Lee	D6/582
D364,191	S *	11/1995	Allen	D21/335	6,702,359	B2 *	3/2004	Armstrong	B60J 7/08 296/100.02
5,480,192	A *	1/1996	Angerbauer	B42F 7/06 206/425	6,763,942	B1 *	7/2004	Yeh	A45C 5/03 190/119
5,487,566	A *	1/1996	Hedge, Jr.	B42D 15/00 281/15.1	D494,469	S *	8/2004	Solowiejko	D9/435
					6,772,879	B1 *	8/2004	Domotor	A45C 11/00 206/320
					D496,322	S *	9/2004	Farney	D12/401
					D498,308	S *	11/2004	Mock	D25/138

(56)

References Cited

U.S. PATENT DOCUMENTS

- 6,829,140 B2 * 12/2004 Shimano G06F 1/162
248/919
- D505,041 S * 5/2005 Lesosky D29/121.1
- D511,838 S * 11/2005 Vedra D24/206
- D521,553 S * 5/2006 Sterman D19/2
- 7,036,162 B1 * 5/2006 Gatten A47C 21/04
5/420
- 7,037,021 B2 * 5/2006 Raschke B42F 7/025
281/38
- 7,038,909 B1 * 5/2006 Chen G06F 1/203
361/679.48
- 7,065,814 B2 * 6/2006 Rutkowski A47D 5/006
128/876
- D527,535 S * 9/2006 Sturba D6/310
- D528,707 S * 9/2006 Deioma D30/118
- D538,096 S * 3/2007 Bartell D6/613
- D538,575 S * 3/2007 Bartell D6/613
- D544,922 S * 6/2007 Shaffer D20/10
- D548,782 S * 8/2007 Nash D19/26
- D550,137 S * 9/2007 Kraines D12/203
- D551,265 S * 9/2007 Brinson D15/122
- D553,410 S * 10/2007 Kramer D6/583
- D557,347 S * 12/2007 Nishimoto D14/496
- 7,318,521 B2 * 1/2008 Lau A45C 11/00
206/320
- 7,322,063 B2 * 1/2008 Esimai A47B 23/002
5/652.1
- D560,947 S * 2/2008 Kreucher D6/601
- D564,223 S * 3/2008 Messineo D3/243
- D565,196 S * 3/2008 Mock D25/48.4
- D566,111 S * 4/2008 Nakagawa D14/315
- D572,709 S * 7/2008 Nakagawa D14/315
- D574,962 S * 8/2008 Atkins D24/189
- 7,435,103 B2 * 10/2008 Ma H01R 12/7076
439/71
- D581,857 S * 12/2008 Bogard D12/401
- D581,859 S * 12/2008 Bogard D12/401
- D581,865 S * 12/2008 Koza D13/102
- D582,047 S * 12/2008 Yim D24/206
- D582,475 S * 12/2008 Guest D19/10
- D583,479 S * 12/2008 Yim D24/206
- D583,959 S * 12/2008 Yim D24/206
- D584,141 S * 1/2009 Smith D9/414
- D584,612 S * 1/2009 Ianello D9/435
- D584,911 S * 1/2009 Hisey D21/803
- D587,797 S * 3/2009 Blanchard D23/370
- D587,812 S * 3/2009 Uchiyama D24/206
- D592,402 S * 5/2009 Ahlgrim D3/318
- 7,537,192 B2 * 5/2009 Al-Haleem A47B 23/044
248/454
- D596,305 S * 7/2009 Usui D24/206
- D597,302 S * 8/2009 Adams D3/227
- D599,286 S * 9/2009 Horito D13/102
- D599,484 S * 9/2009 Gray D24/206
- D599,761 S * 9/2009 Birsell D14/138 AB
- D599,959 S * 9/2009 Washington D28/84
- D600,699 S * 9/2009 Johnston D14/440
- 7,584,841 B2 * 9/2009 Chan A45C 11/00
206/305
- D601,369 S * 10/2009 Mock D6/703.2
- D602,598 S * 10/2009 Yim D24/206
- D603,906 S * 11/2009 Miller D20/18
- D604,463 S * 11/2009 Pittman D30/118
- D604,727 S * 11/2009 Chu D14/248
- D605,940 S * 12/2009 Lin D9/435
- D606,119 S * 12/2009 Miller D20/18
- D606,120 S * 12/2009 Miller D20/18
- D606,121 S * 12/2009 Miller D20/18
- D607,253 S * 1/2010 McCammon D6/553
- 7,643,274 B2 * 1/2010 Bekele G06F 1/16
361/679.02
- D609,358 S * 2/2010 Yim D24/206
- D609,360 S * 2/2010 Yim D24/206
- D609,912 S * 2/2010 Kyono D3/303
- D613,062 S * 4/2010 Romero D3/318
- D613,982 S * 4/2010 Wilson D6/518
- D616,930 S * 6/2010 Engel D19/3
- 7,735,644 B2 * 6/2010 Sirichai A45F 5/02
206/320
- D620,122 S * 7/2010 Cotton D24/189
- D620,877 S * 8/2010 Rusher D12/401
- D622,061 S * 8/2010 Higginson D3/302
- D623,940 S * 9/2010 Ianello D9/435
- D624,615 S * 9/2010 Kusmierz D21/686
- 7,799,063 B2 * 9/2010 Ingram A61F 7/02
607/104
- D627,078 S * 11/2010 Matsuo D24/206
- D627,117 S * 11/2010 Hale D32/40
- D627,775 S * 11/2010 Li D14/324
- D628,004 S * 11/2010 Moorefield D6/601
- D628,132 S * 11/2010 Grzyb D12/195
- D628,197 S * 11/2010 Li D14/324
- D628,705 S * 12/2010 Usui D24/206
- D628,706 S * 12/2010 Usui D24/206
- D629,195 S * 12/2010 Jusic D3/273
- D629,914 S * 12/2010 Hunter D24/207
- D631,912 S * 2/2011 Epstein D19/26
- D632,660 S * 2/2011 Donowho D13/184
- D633,388 S * 3/2011 Andre D9/456
- D633,673 S * 3/2011 McKnight D32/40
- D633,879 S * 3/2011 Heng D13/182
- D635,135 S * 3/2011 Li D14/315
- D635,564 S * 4/2011 Li D14/315
- D637,399 S * 5/2011 Romero D3/318
- D638,526 S * 5/2011 Newman D23/303
- D638,627 S * 5/2011 Romero D3/318
- D640,089 S * 6/2011 Green D7/388
- D640,534 S * 6/2011 Austro D8/382
- D641,720 S * 7/2011 Heng D13/182
- 7,980,526 B2 * 7/2011 Lord G06F 1/203
248/444
- 8,042,241 B2 * 10/2011 McConnell B60N 2/28
29/91.1
- 8,070,220 B2 * 12/2011 Reeb A47C 7/66
297/184.15
- D656,235 S * 3/2012 Howell D24/207
- 8,138,869 B1 * 3/2012 Lauder G06F 1/1656
335/219
- 8,143,982 B1 * 3/2012 Lauder G06F 1/1626
335/219
- D657,832 S * 4/2012 Beber D21/683
- D658,186 S * 4/2012 Akana D14/440
- D658,187 S * 4/2012 Diebel G06F 1/1679
D14/440
- D658,188 S * 4/2012 Diebel D14/440
- D662,100 S * 6/2012 Van Den Nieuwenhuizen
D14/440
- D663,304 S * 7/2012 Akana D14/440
- 8,245,843 B1 * 8/2012 Wu H01M 10/465
206/320
- 8,253,518 B2 * 8/2012 Lauder H01F 7/0247
335/219
- 8,282,065 B1 * 10/2012 Stone A47B 23/044
248/454
- D671,114 S * 11/2012 Akana D14/341
- D671,886 S * 12/2012 Schacht D13/102
- D671,948 S * 12/2012 Akana D14/440
- D672,353 S * 12/2012 Liu D14/440
- D672,781 S * 12/2012 Lu D14/440
- D673,158 S * 12/2012 Yang D14/440
- 8,344,836 B2 * 1/2013 Lauder H01F 7/0205
335/219
- D675,626 S * 2/2013 Williamson D14/440
- D676,050 S * 2/2013 Sanz D14/440
- D678,260 S * 3/2013 Bau D14/250
- D678,272 S * 3/2013 Groene D14/345
- D678,300 S * 3/2013 Groene D14/455
- D678,881 S * 3/2013 Groene D14/391
- D678,882 S * 3/2013 Groene D14/391
- D679,279 S * 4/2013 Yang D14/440
- D679,715 S * 4/2013 Akana D14/440
- D681,033 S * 4/2013 Chen D14/345

(56)

References Cited

U.S. PATENT DOCUMENTS

D681,041 S *	4/2013	Phillips	D14/440	D708,839 S *	7/2014	Lee	D3/201
D681,641 S *	5/2013	Van Den Nieuwenhuizen	D14/440	D709,895 S *	7/2014	Son	D14/440
D682,803 S *	5/2013	Lee	D14/138 G	8,763,795 B1 *	7/2014	Oten	A45C 11/00 206/45.23
D682,836 S *	5/2013	Akana	D14/440	D710,859 S *	8/2014	Mecchella	D14/440
D682,838 S *	5/2013	Akana	D14/440	D711,887 S *	8/2014	Akana	D14/440
D682,839 S *	5/2013	Sampson	D14/447	8,807,333 B1 *	8/2014	Cooper	A45C 11/00 206/45.23
D683,040 S *	5/2013	Arsenault	D24/206	D713,048 S *	9/2014	Ogaki	D24/200
D683,731 S *	6/2013	Chiu	D14/345	D713,402 S *	9/2014	Akana	D14/341
D685,381 S *	7/2013	Symons	D14/447	D713,847 S *	9/2014	Su	D14/440
D685,803 S *	7/2013	Akana	D14/440	D713,848 S *	9/2014	Akana	D14/440
D685,916 S *	7/2013	Hoglund	D24/206	8,824,136 B1 *	9/2014	Interian, III	G06F 1/266 361/679.41
D686,627 S *	7/2013	Akana	D14/440	D716,311 S *	10/2014	Bates	D14/440
8,474,609 B1 *	7/2013	Hong	A45C 11/00 206/45.2	D716,783 S *	11/2014	Loncar	D14/250
D687,438 S *	8/2013	Lu	D14/440	D717,743 S *	11/2014	Larkin	D13/164
D688,251 S *	8/2013	Akana	D14/440	D718,086 S *	11/2014	Lewis	D7/391
D688,669 S *	8/2013	Akana	D14/440	D718,213 S *	11/2014	Shipman	D12/401
D689,498 S *	9/2013	Akana	D14/440	D718,214 S *	11/2014	Shipman	D12/401
D689,501 S *	9/2013	Fong	D14/447	D718,215 S *	11/2014	Shipman	D12/401
D690,305 S *	9/2013	Wen	D14/440	D718,216 S *	11/2014	Shipman	D12/401
8,538,479 B2 *	9/2013	Lee	H04M 1/0277 455/557	8,884,730 B2 *	11/2014	Lauder	G06F 1/1637 335/219
D690,702 S *	10/2013	Chung	D14/440	D718,768 S *	12/2014	Page	D14/440
D691,123 S *	10/2013	Lay	D14/250	D719,169 S *	12/2014	McBroom	D14/440
D691,142 S *	10/2013	Diebel	G06F 1/1679 D14/440	D719,956 S *	12/2014	Akana	D14/440
D691,143 S *	10/2013	Diebel	D14/440	D720,355 S *	12/2014	Akana	D14/440
D691,145 S *	10/2013	Nam-Su	D14/440	D720,733 S *	1/2015	Fathollahi	D14/250
D691,611 S *	10/2013	Kirzinger	D14/440	D720,747 S *	1/2015	Kim	D14/345
D691,805 S *	10/2013	Chang	D3/301	D720,748 S *	1/2015	Groene	D14/392
D692,237 S *	10/2013	Chang	D3/303	D720,756 S *	1/2015	Stavarakakis	D14/440
D692,432 S *	10/2013	Liu	D14/440	D721,080 S *	1/2015	Mecchella	D14/440
D692,433 S *	10/2013	Akana	D14/440	D721,081 S *	1/2015	Hirst	D14/440
D692,434 S *	10/2013	Kim	D14/440	D721,370 S *	1/2015	Barfoot	D14/400
8,567,578 B2 *	10/2013	Cuong	A45F 5/00 190/107	8,928,437 B2 *	1/2015	Lauder	G06T 1/00 335/219
D692,902 S *	11/2013	Groene	D14/455	D722,059 S *	2/2015	Hirst	D14/440
D693,821 S *	11/2013	Bates	D14/440	D723,037 S *	2/2015	Huang	D14/440
D693,822 S *	11/2013	Bates	D14/440	D723,040 S *	2/2015	Kang	D14/440
D693,823 S *	11/2013	Chen	D14/440	D723,041 S *	2/2015	Kim	D14/440
D694,245 S *	11/2013	Sanz	D14/440	8,960,421 B1 *	2/2015	Diebel	G06F 1/1628 206/45.2
D694,523 S *	12/2013	Chiang	D3/303	D723,568 S *	3/2015	Kim	D14/440
D695,296 S *	12/2013	Hsu	D14/440	D723,569 S *	3/2015	Peng	D14/440
D696,253 S *	12/2013	Akana	D14/345	D724,090 S *	3/2015	Kim	D14/440
D696,254 S *	12/2013	Groene	D14/345	D724,095 S *	3/2015	Kim	D14/440
D696,256 S *	12/2013	Piedra	D14/440	D724,594 S *	3/2015	Venida	D14/440
D696,262 S *	12/2013	Groene	D14/455	D725,116 S *	3/2015	Li	D14/440
D696,669 S *	12/2013	Akana	D14/440	D725,118 S *	3/2015	Hong	D14/440
D696,865 S *	1/2014	Morszeck	D3/301	D725,659 S *	3/2015	Tussy	D14/440
D697,512 S *	1/2014	Akana	D14/440	D726,191 S *	4/2015	Tseng	D14/440
D699,054 S *	2/2014	Forlin	A47G 11/004 D6/610	D726,192 S *	4/2015	Massucco	D14/440
D699,244 S *	2/2014	Buckley	D14/440	D726,193 S *	4/2015	Kim	D14/440
D700,611 S *	3/2014	Boldetti	D14/440	D726,730 S *	4/2015	Mahmood	D14/440
D701,205 S *	3/2014	Akana	D14/345	D726,731 S *	4/2015	Kim	D14/440
D701,210 S *	3/2014	Bates	D14/440	D727,915 S *	4/2015	Mecchella	D14/440
D701,488 S *	3/2014	Lim	D13/102	D727,916 S *	4/2015	Melmon	D14/440
D703,209 S *	4/2014	Marcus	D14/440	D727,919 S *	4/2015	Melmon	D14/440
8,695,150 B1 *	4/2014	Cooper	A45C 13/001 15/210.1	D728,579 S *	5/2015	Mecchella	D14/440
D704,702 S *	5/2014	Akana	D14/341	D729,253 S *	5/2015	Nyholm	D14/440
D705,227 S *	5/2014	Groene	D14/392	D729,810 S *	5/2015	Klusener	D14/440
D705,783 S *	5/2014	Weng	D14/440	D730,362 S *	5/2015	Akana	D14/440
8,720,843 B1 *	5/2014	Chen	G06F 1/1613 248/455	D730,913 S *	6/2015	Shao	D14/440
8,724,300 B2 *	5/2014	Smith	G06F 1/1626 361/679.01	D731,485 S *	6/2015	Kim	D14/392
D706,270 S *	6/2014	Akana	D14/440	D731,486 S *	6/2015	Kim	D14/392
D707,229 S *	6/2014	Almodova	D14/440	D731,494 S *	6/2015	Barfoot	D14/440
D707,683 S *	6/2014	Nam-Su	D14/440	D731,495 S *	6/2015	Hassett	D14/440
8,761,660 B2 *	6/2014	Libin	G09B 5/02 434/362	D732,044 S *	6/2015	Longo	D14/440
D708,836 S *	7/2014	Lee	D3/201	D732,542 S *	6/2015	Hassett	D14/440
				D733,073 S *	6/2015	Larkin	D13/164
				D733,150 S *	6/2015	Sirichai	D14/440
				D733,151 S *	6/2015	Brierley	D14/440
				D733,152 S *	6/2015	Sirichai	D14/440
				D733,153 S *	6/2015	Longo	D14/440
				D733,154 S *	6/2015	Armstrong	D14/440
				9,049,911 B1 *	6/2015	Wood	A45C 11/00
				D734,340 S *	7/2015	Kim	D14/440
				D734,760 S *	7/2015	Brunner	D14/440

(56)

References Cited

U.S. PATENT DOCUMENTS

D734,761	S *	7/2015	Ballou	D14/440	2009/0194209	A1 *	8/2009	De Filippis	A45C 11/00 150/107
D735,205	S *	7/2015	Akana	D14/440	2010/0122924	A1 *	5/2010	Andrews	G06F 1/1628 206/320
9,086,844	B2 *	7/2015	Blue	G06F 1/1626	2010/0294909	A1 *	11/2010	Hauser	B42D 9/00 248/456
D737,276	S *	8/2015	Armstrong	D14/440	2011/0163642	A1 *	7/2011	Rohrbach	A45C 11/00 312/223.1
9,095,194	B2 *	8/2015	Hassett	A45C 11/00	2011/0227463	A1 *	9/2011	Hou	A47B 23/043 312/223.1
9,110,630	B2 *	8/2015	Cakir	G06F 1/1628	2011/0266194	A1 *	11/2011	Bau	A45C 11/00 206/736
D737,827	S *	9/2015	Tseng	D14/440	2011/0290687	A1 *	12/2011	Han	A45C 3/02 206/320
D740,292	S *	10/2015	Akana	D14/440	2011/0297566	A1 *	12/2011	Gallagher	F16M 11/105 206/320
D740,882	S *	10/2015	Poon	D19/26	2011/0297581	A1 *	12/2011	Angel	F16M 13/00 206/736
D741,867	S *	10/2015	Liu	D14/440	2012/0037285	A1 *	2/2012	Diebel	G06F 1/1628 150/165
9,266,641	B2 *	2/2016	Quehl	A45C 11/00	2012/0043234	A1 *	2/2012	Westrup	A45C 13/02 206/320
D750,632	S *	3/2016	Diebel	D14/440	2012/0044638	A1 *	2/2012	Mongan	A45C 11/00 361/679.55
9,285,839	B1 *	3/2016	Cudak	G06F 1/1677	2012/0068919	A1 *	3/2012	Lauder	G06F 1/1626 345/156
9,315,004	B2 *	4/2016	Balaji	H04B 1/3888	2012/0069540	A1 *	3/2012	Lauder	H01F 7/04 361/807
D757,280	S *	5/2016	Ogaki	D24/200	2012/0088557	A1 *	4/2012	Liang	G06F 1/1628 455/575.1
D759,313	S *	6/2016	McCarthy	D28/63	2012/0125809	A1 *	5/2012	Leung	A45C 11/00 206/736
9,451,822	B2 *	9/2016	Gu	F16M 11/041	2012/0138494	A1 *	6/2012	Thomas	A45C 11/00 206/320
D770,457	S *	11/2016	Massucco	D14/440	2012/0140396	A1 *	6/2012	Zeliff	G06F 1/1632 361/679.09
D773,454	S *	12/2016	Akana	D14/341	2012/0181195	A1 *	7/2012	Lu	A45C 11/00 206/320
D773,470	S *	12/2016	Akana	D14/440	2012/0194448	A1 *	8/2012	Rothkopf	G06F 1/1616 345/173
9,559,742	B2 *	1/2017	Ye	A45C 11/00	2012/0205277	A1 *	8/2012	Chang	G06F 1/1628 206/472
D779,485	S *	2/2017	Akana	D14/345	2012/0211377	A1 *	8/2012	Sajid	G06F 1/1628 206/216
D784,348	S *	4/2017	Zhang	D14/440	2012/0268891	A1 *	10/2012	Cencioni	G06F 1/1626 361/679.55
D784,995	S *	4/2017	Akana	D14/440	2012/0268894	A1 *	10/2012	Alexander	F21V 29/75 361/709
9,628,130	B2 *	4/2017	Ye	H04B 1/3877	2012/0287565	A1 *	11/2012	Bennett, Jr.	A45C 11/00 361/679.01
9,634,711	B2 *	4/2017	Sirichai	A45C 11/00	2012/0293953	A1 *	11/2012	Wu	A45C 11/00 361/679.56
9,654,165	B2 *	5/2017	Cho	H04B 1/3877	2012/0305413	A1 *	12/2012	Chung	A45C 11/00 206/45.23
D792,393	S *	7/2017	Akana	D14/341	2012/0308981	A1 *	12/2012	Libin	G09B 7/00 434/362
D792,884	S *	7/2017	Nyholm	D14/440	2012/0325689	A1 *	12/2012	Wibby	A47B 23/043 206/45.2
D801,343	S *	10/2017	Akana	D14/440	2012/0325838	A1 *	12/2012	Huang	G06F 1/1628 220/810
D805,080	S *	12/2017	Lakraa	D14/440	2013/0016467	A1 *	1/2013	Ku	G06F 1/1626 361/679.08
D807,365	S *	1/2018	Liu	D14/440	2013/0020216	A1 *	1/2013	Chiou	G06F 1/1626 206/320
D807,370	S *	1/2018	Chen	D14/440	2013/0043148	A1 *	2/2013	Chen	B65D 61/00 206/45.23
D807,889	S *	1/2018	Kim	D14/440	2013/0048517	A1 *	2/2013	Mecchella	A45C 11/00 206/216
D808,394	S *	1/2018	Lakraa	D14/440	2013/0048520	A1 *	2/2013	Garrett	A45C 13/30 206/320
D827,650	S *	9/2018	Diebel	G06F 1/1628 D14/440	2013/0058065	A1 *	3/2013	Minaguchi	G06F 1/1626 361/807
D850,458	S *	6/2019	Moore	D14/440	2013/0075280	A1 *	3/2013	Besner	G06F 1/1626 206/45.23
D857,023	S *	8/2019	Hyun	D14/440	2013/0076614	A1 *	3/2013	Ive	H04M 1/0245 345/156
D884,710	S *	5/2020	Hyun	D14/440					
2002/0162935	A1 *	11/2002	Hardy	F16M 13/00 248/460					
2003/0104036	A1 *	6/2003	Gregoire	D04H 1/495 424/443					
2003/0121116	A1 *	7/2003	Keck	B32B 5/26 15/104.94					
2004/0240164	A1 *	12/2004	Lee	G06F 1/1616 361/679.55					
2005/0001021	A1 *	1/2005	Hutchinson	B42D 5/026 229/300					
2005/0021114	A1 *	1/2005	Hidaka	A61F 7/007 607/112					
2005/0246851	A1 *	11/2005	Cline	A47L 13/20 15/228					
2006/0285283	A1 *	12/2006	Simonian	F16M 11/10 361/679.55					
2007/0110495	A1 *	5/2007	Willat	B25G 1/10 401/6					
2007/0182152	A1 *	8/2007	David	B42F 21/06 281/15.1					
2008/0061207	A1 *	3/2008	Panziera	A47B 23/002 248/346.01					
2008/0167095	A1 *	7/2008	Kim	H04M 1/0216 455/575.3					
2009/0000169	A1 *	1/2009	Houssain	G09F 15/0068 40/605					
2009/0017883	A1 *	1/2009	Lin	H04M 1/026 455/575.8					
2009/0090709	A1 *	4/2009	Shalomoff	B65D 11/28 220/6					
2009/0159763	A1 *	6/2009	Kim	F16M 11/22 248/174					

(56)

References Cited

U.S. PATENT DOCUMENTS

2013/0083465	A1 *	4/2013	Motoishi	G06F 1/1613 361/679.21	2014/0092008	A1 *	4/2014	Hsu	G06F 3/0227 345/156
2013/0088431	A1 *	4/2013	Ballagas	G06F 1/1626 345/168	2014/0102924	A1 *	4/2014	Chang	G06F 1/1688 206/320
2013/0093304	A1 *	4/2013	Childs	F16M 11/10 312/240	2014/0131225	A1 *	5/2014	Couch, III	A45C 11/00 206/45.24
2013/0099636	A1 *	4/2013	Igarashi	A45C 13/005 312/223.1	2014/0131251	A1 *	5/2014	Westrup	A45C 13/02 206/756
2013/0127308	A1 *	5/2013	Yang	A45C 11/00 312/223.1	2014/0132133	A1 *	5/2014	Chiou	A45C 11/00 312/223.2
2013/0134061	A1 *	5/2013	Wu	G06F 3/0202 206/320	2014/0139989	A1 *	5/2014	Mori	G06F 1/1626 361/679.09
2013/0140194	A1 *	6/2013	Han	G06F 1/1656 206/45.23	2014/0146455	A1 *	5/2014	Abdelsamie	G06F 1/1632 361/679.02
2013/0140203	A1 *	6/2013	Chiang	G06F 1/1628 206/320	2014/0197048	A1 *	7/2014	Napolitano	H05K 5/0226 206/45.2
2013/0146482	A1 *	6/2013	Huang	A47B 23/043 206/45.23	2014/0202889	A1 *	7/2014	Kim	A45C 11/00 206/45.23
2013/0199960	A1 *	8/2013	Chen	G06F 1/1628 206/521	2014/0202891	A1 *	7/2014	Piatt	G06F 1/1628 206/45.24
2013/0233732	A1 *	9/2013	Hsu	A45C 11/00 206/45.24	2014/0202899	A1 *	7/2014	Murchison	H05K 5/0234 206/320
2013/0233762	A1 *	9/2013	Balaji	B29C 65/7802 206/736	2014/0246340	A1 *	9/2014	Jiang	G06F 1/1626 206/45.23
2013/0241381	A1 *	9/2013	Hynecek	H05K 5/0217 312/240	2014/0262853	A1 *	9/2014	DeChant	A45C 1/06 206/45.2
2013/0242490	A1 *	9/2013	Ku	G06F 1/1626 361/679.3	2014/0267957	A1 *	9/2014	Iwamoto	G02F 1/13338 349/12
2013/0258586	A1 *	10/2013	Shao	A45C 11/00 361/679.55	2014/0274215	A1 *	9/2014	Del Toro	G06F 1/1628 455/566
2013/0271373	A1 *	10/2013	Milhe	G06F 1/3271 345/168	2014/0284228	A1 *	9/2014	Chiou	G06F 1/1628 206/45.23
2013/0277271	A1 *	10/2013	Toulotte	A45C 13/1069 206/752	2014/0291174	A1 *	10/2014	Chung	G06F 1/1628 206/45.23
2013/0279100	A1 *	10/2013	Fontana	G06F 1/1667 361/679.2	2014/0291175	A1 *	10/2014	Chung	G06F 1/1656 206/45.23
2013/0284613	A1 *	10/2013	Lee	A45C 11/00 206/45.2	2014/0291177	A1 *	10/2014	Ko	G06F 1/1626 206/45.23
2013/0284614	A1 *	10/2013	Lee	A45C 11/00 206/45.2	2015/0001105	A1 *	1/2015	Nyholm	G06F 1/1628 206/45.2
2013/0284615	A1 *	10/2013	Lee	A45C 11/00 206/45.23	2015/0041341	A1 *	2/2015	Marshall	G06F 1/1633 206/45.2
2013/0313142	A1 *	11/2013	Wen	A45C 11/00 206/320	2015/0065208	A1 *	3/2015	Balaji	A45C 11/00 455/575.8
2013/0328825	A1 *	12/2013	Brown	G06F 3/04886 345/174	2015/0151871	A1 *	6/2015	Huang	G06F 1/1628 206/45.23
2014/0028865	A1 *	1/2014	Ohtaka	G06F 1/1686 348/211.4	2015/0151887	A1 *	6/2015	Huang	A45C 11/00 224/191
2014/0028903	A1 *	1/2014	Ohtaka	G06F 1/1626 348/373	2015/0189781	A1 *	7/2015	Klepar	F16M 11/00 206/45.2
2014/0029195	A1 *	1/2014	Barnes	G06F 1/1628 361/679.48	2015/0237979	A1 *	8/2015	Huang	A45C 11/00 206/45.25
2014/0029197	A1 *	1/2014	Hishinuma	G06F 1/1626 361/679.55	2015/0263776	A1 *	9/2015	Shyu	A45C 13/002 455/575.8
2014/0036438	A1 *	2/2014	Gioscia	G06F 1/1628 361/679.55	2015/0266610	A1 *	9/2015	Melmon	A45C 11/00 206/45.23
2014/0061071	A1 *	3/2014	Kim	A45C 11/00 206/45.2	2015/0280768	A1 *	10/2015	Huang	H04B 1/3888 455/575.8
2014/0063735	A1 *	3/2014	Lee	G06F 1/1628 361/679.56	2015/0282354	A1 *	10/2015	Spollen	H05K 5/03 206/45.2
2014/0071654	A1 *	3/2014	Chien	H01H 13/83 362/23.03	2016/0058147	A1 *	3/2016	Bemis	H01F 7/0263 206/45.2
2014/0083883	A1 *	3/2014	Elias	G06F 1/169 206/320	2016/0066453	A1 *	3/2016	Quehl	G06F 1/166 206/45.2
					2016/0128439	A1 *	5/2016	Senatori	G06F 1/162 206/45.2
					2017/0068282	A1 *	3/2017	Smith	G06F 1/1628

* cited by examiner

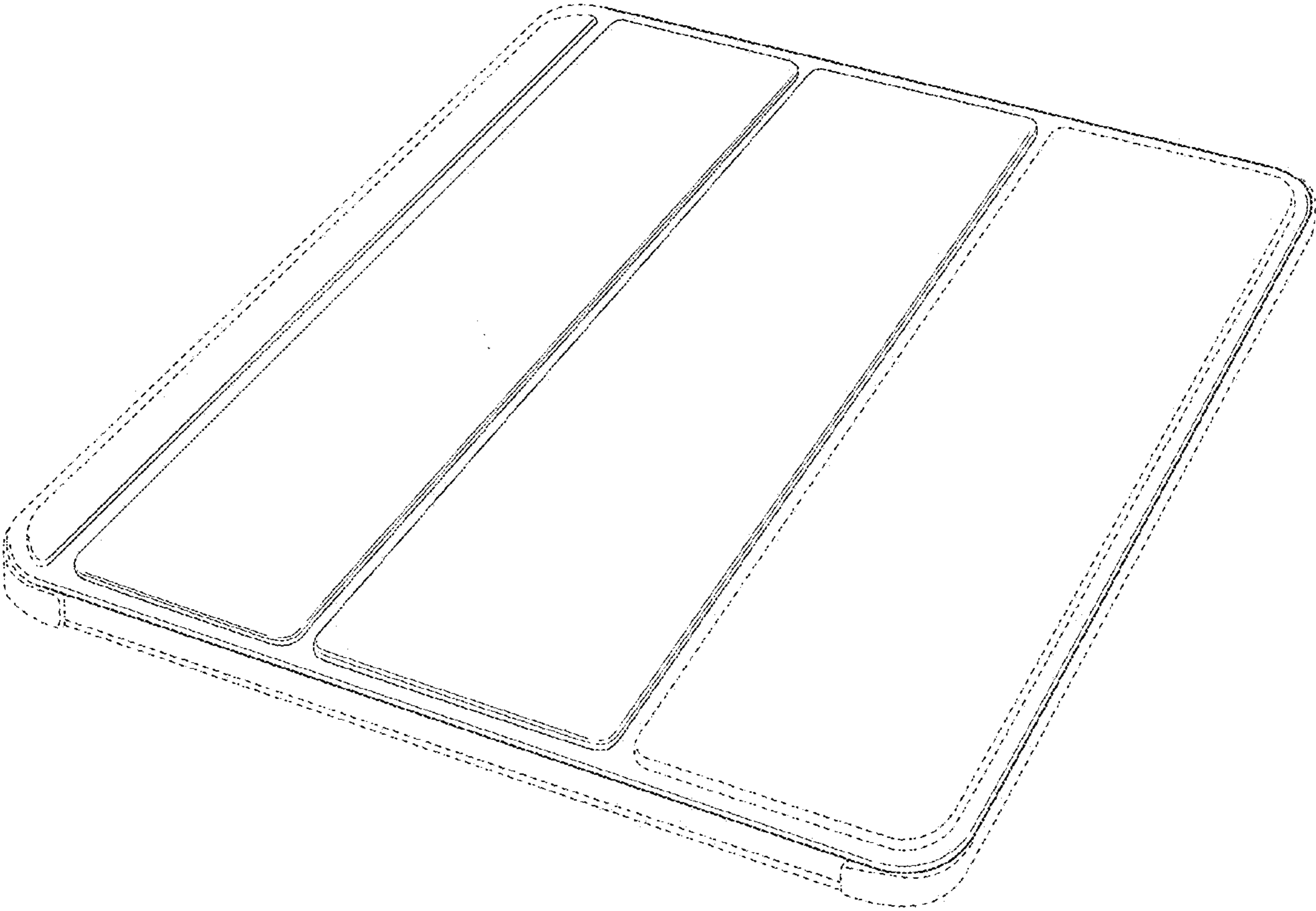


FIG. 1

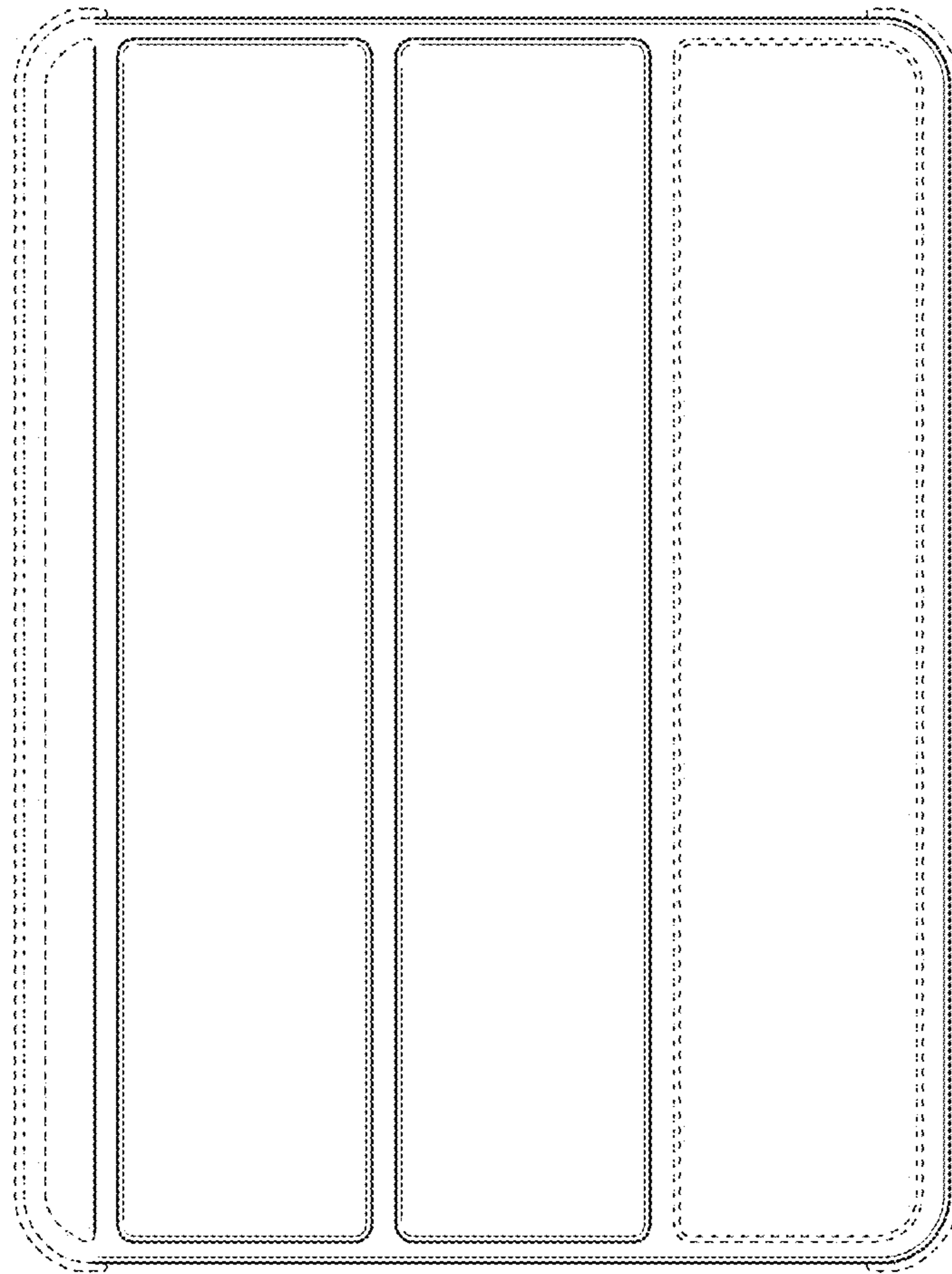


FIG. 2

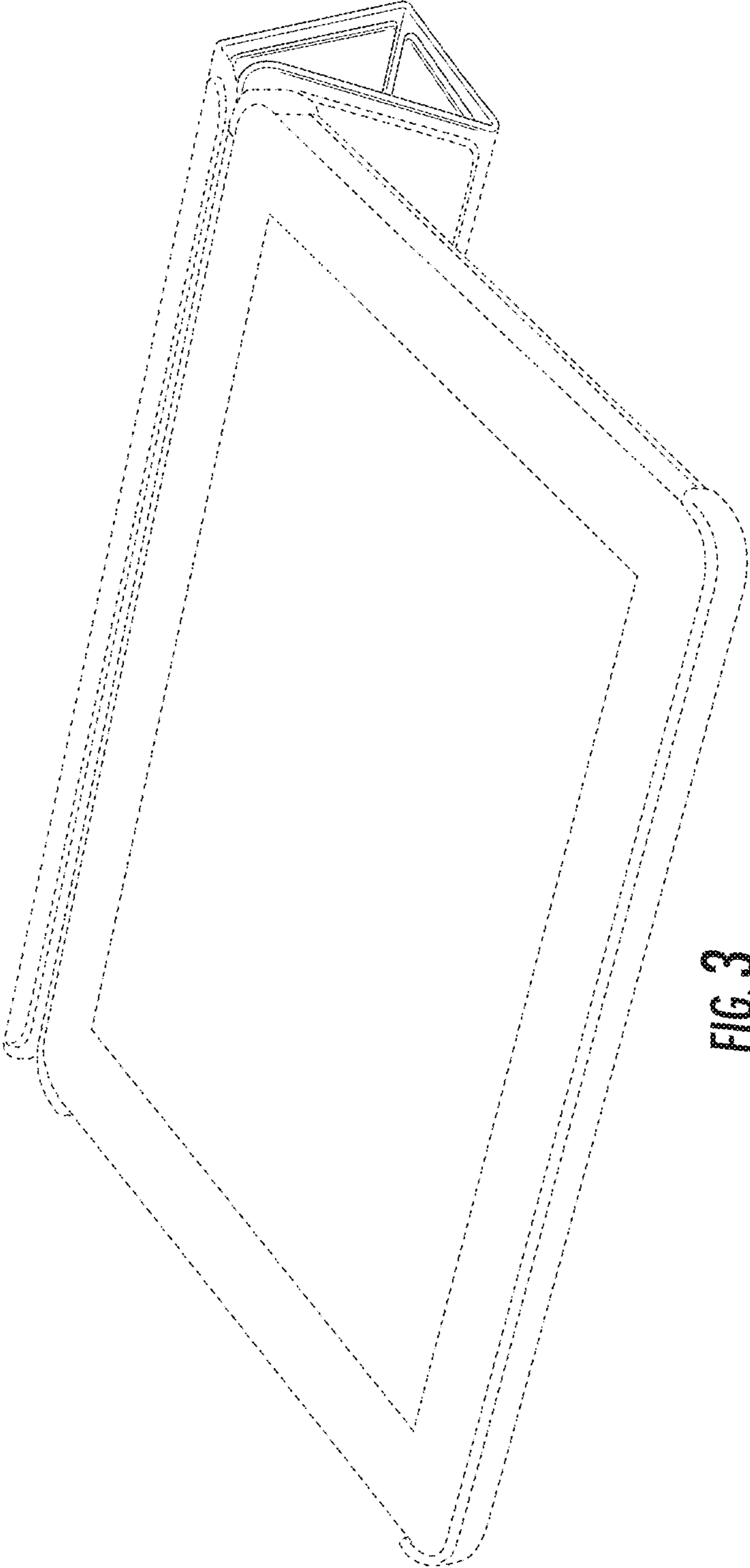


FIG. 3