



US00D944803S

(12) **United States Design Patent**
Liao

(10) **Patent No.:** **US D944,803 S**
(45) **Date of Patent:** **** Mar. 1, 2022**

(54) **MULTIFUNCTIONAL ADAPTOR**
(71) Applicant: **GUANGDONG GOPOD GROUP CO., LTD.**, Guangdong (CN)
(72) Inventor: **Zhuo-Wen Liao**, Guangdong (CN)
(73) Assignee: **GUANGDONG GOPOD GROUP CO., LTD.**, Guangdong (CN)

(**) Term: **15 Years**

(21) Appl. No.: **29/702,007**

(22) Filed: **Aug. 16, 2019**

(30) **Foreign Application Priority Data**

Apr. 25, 2019 (CN) 201930195820.4

(51) **LOC (13) Cl.** **14-99**

(52) **U.S. Cl.**
USPC **D14/433**

(58) **Field of Classification Search**
USPC D14/240, 242, 356, 358, 363, 365, 367, D14/370, 432-437, 439, 498, 125, 366, D14/168, 496; D13/147, 164, 123, 133, D13/146, 110, 199, 103, 162, 159, 160, D13/184; 361/683, 684, 686, 724, 735, 361/737, 752; D18/40
CPC H01R 25/006; H01R 27/02; H01R 31/005; G06F 13/4022; G06F 13/382; G06F 1/1632; G06F 1/1684; G06F 1/20; G06F 1/1607
See application file for complete search history.

(56) **References Cited**

U.S. PATENT DOCUMENTS

D702,239 S * 4/2014 Lee D14/432
D873,664 S * 1/2020 Manansingh D9/456

D878,372 S * 3/2020 Bagley D14/433
D885,396 S * 5/2020 Chen D14/433
D914,686 S * 3/2021 Huang D14/433
D924,873 S * 7/2021 Chen D14/433
D929,397 S * 8/2021 Morisawa D14/348
D934,256 S * 10/2021 Zhang D14/433
D934,258 S * 10/2021 Zhang D14/433
D934,866 S * 11/2021 Ng D14/433

* cited by examiner

Primary Examiner — Austin Murphy

(74) *Attorney, Agent, or Firm* — Chun-Ming Shih; HDLS IPR Services

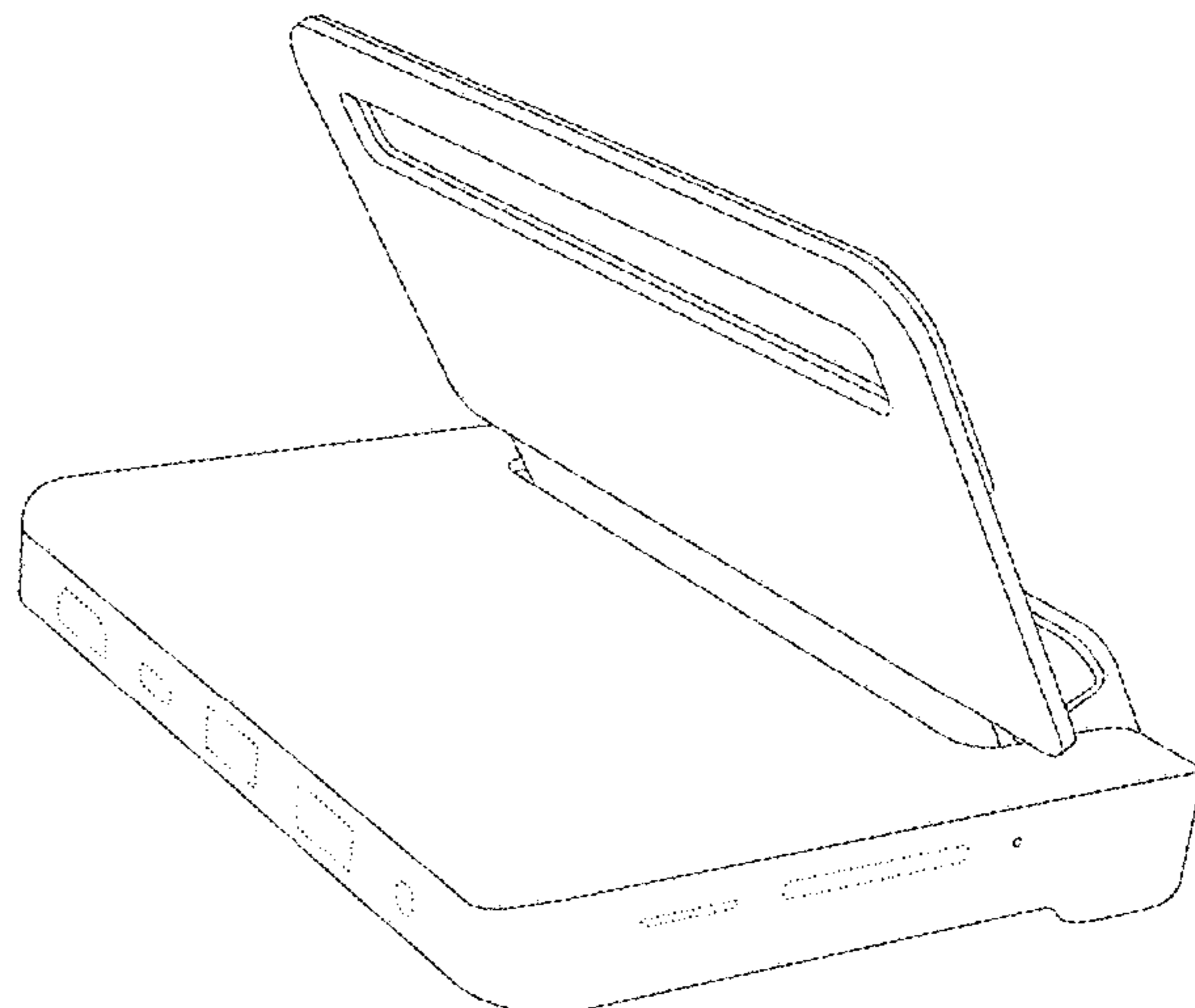
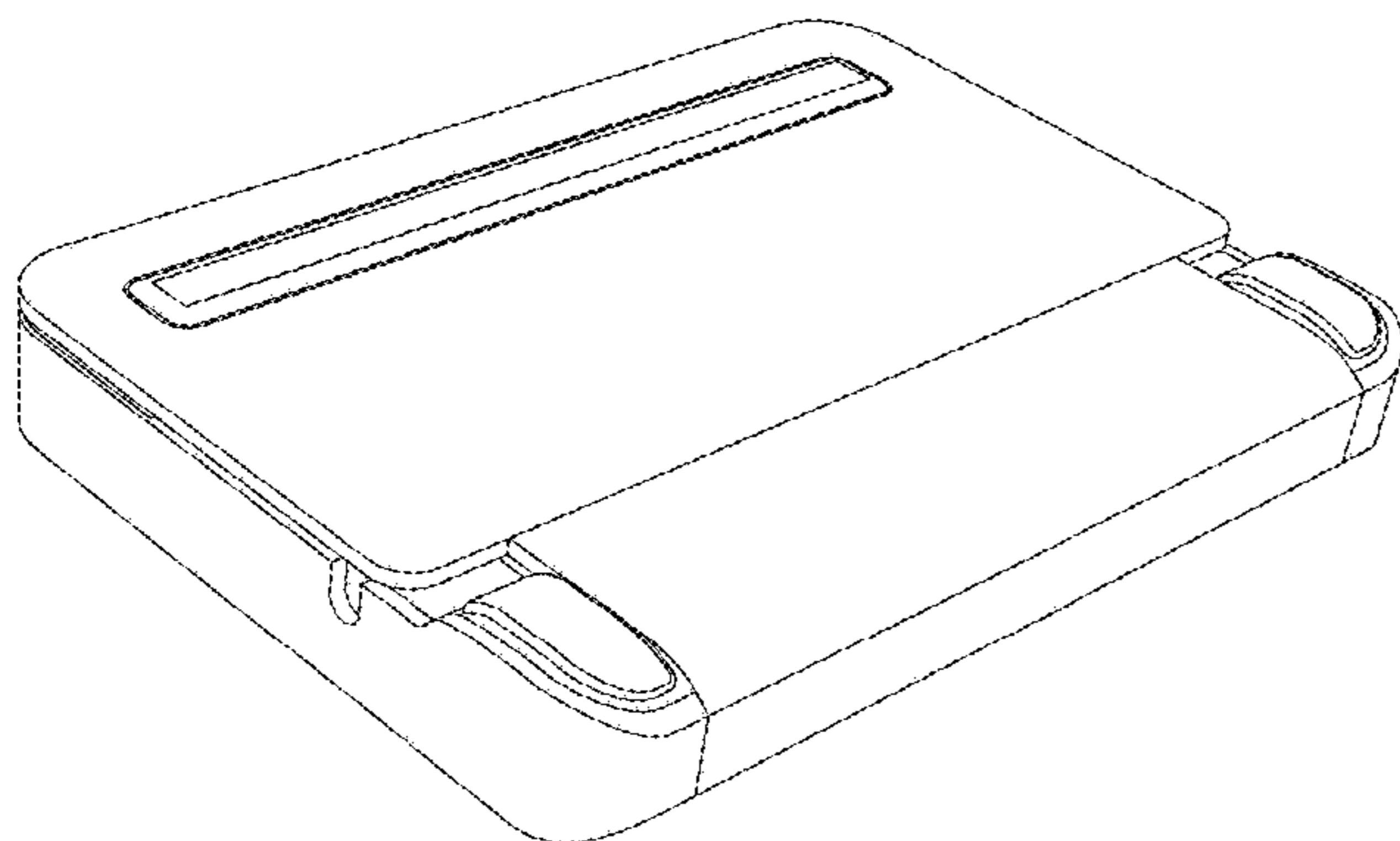
(57) **CLAIM**

The ornamental design for a multifunctional adaptor, as shown and described.

DESCRIPTION

FIG. 1 is a top left perspective view of multifunctional adaptor;
FIG. 2 is a bottom right perspective view thereof;
FIG. 3 is a front perspective view thereof;
FIG. 4 is a rear perspective view thereof;
FIG. 5 is a left side elevational view thereof;
FIG. 6 is a right side elevational view thereof;
FIG. 7 is a top plan view thereof;
FIG. 8 is a bottom plan view thereof;
FIG. 9 is a view of one side of operative state thereof; and,
FIG. 10 is a view of another side of operative state thereof.
The broken lines in the drawing depict environmental subject matter only and form no part of the claimed design.

1 Claim, 10 Drawing Sheets



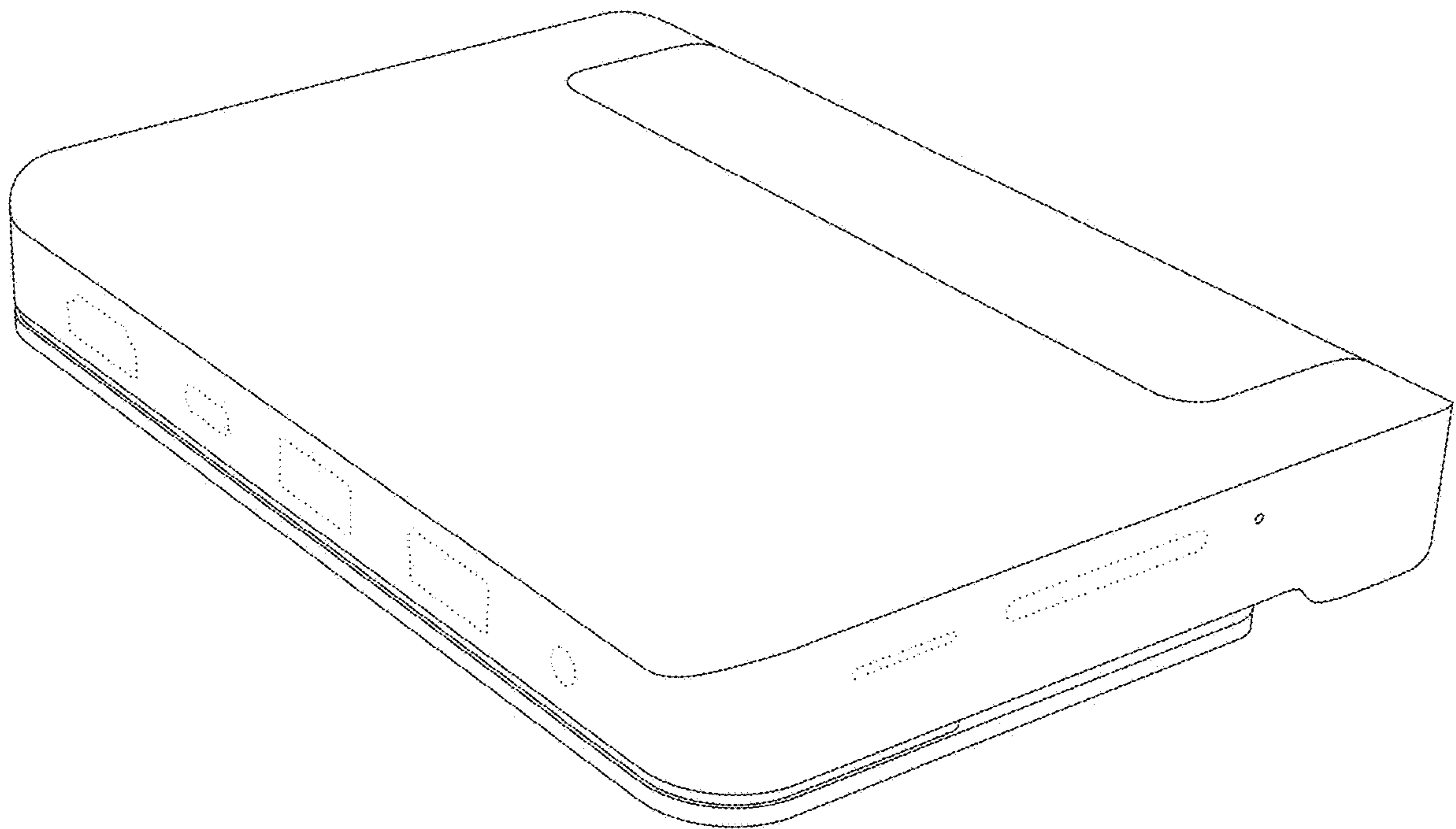


FIG. 1

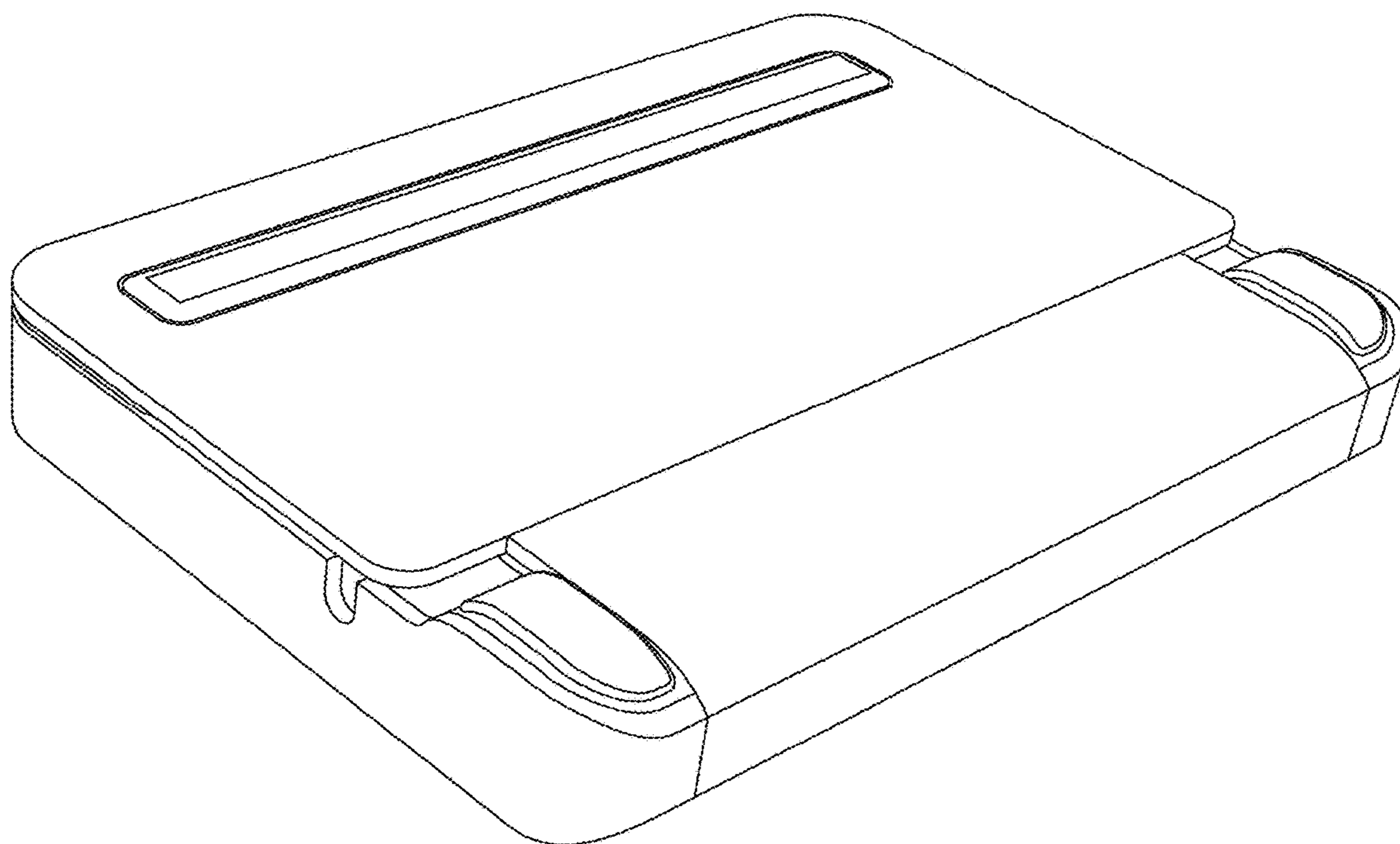


FIG. 2



FIG. 3

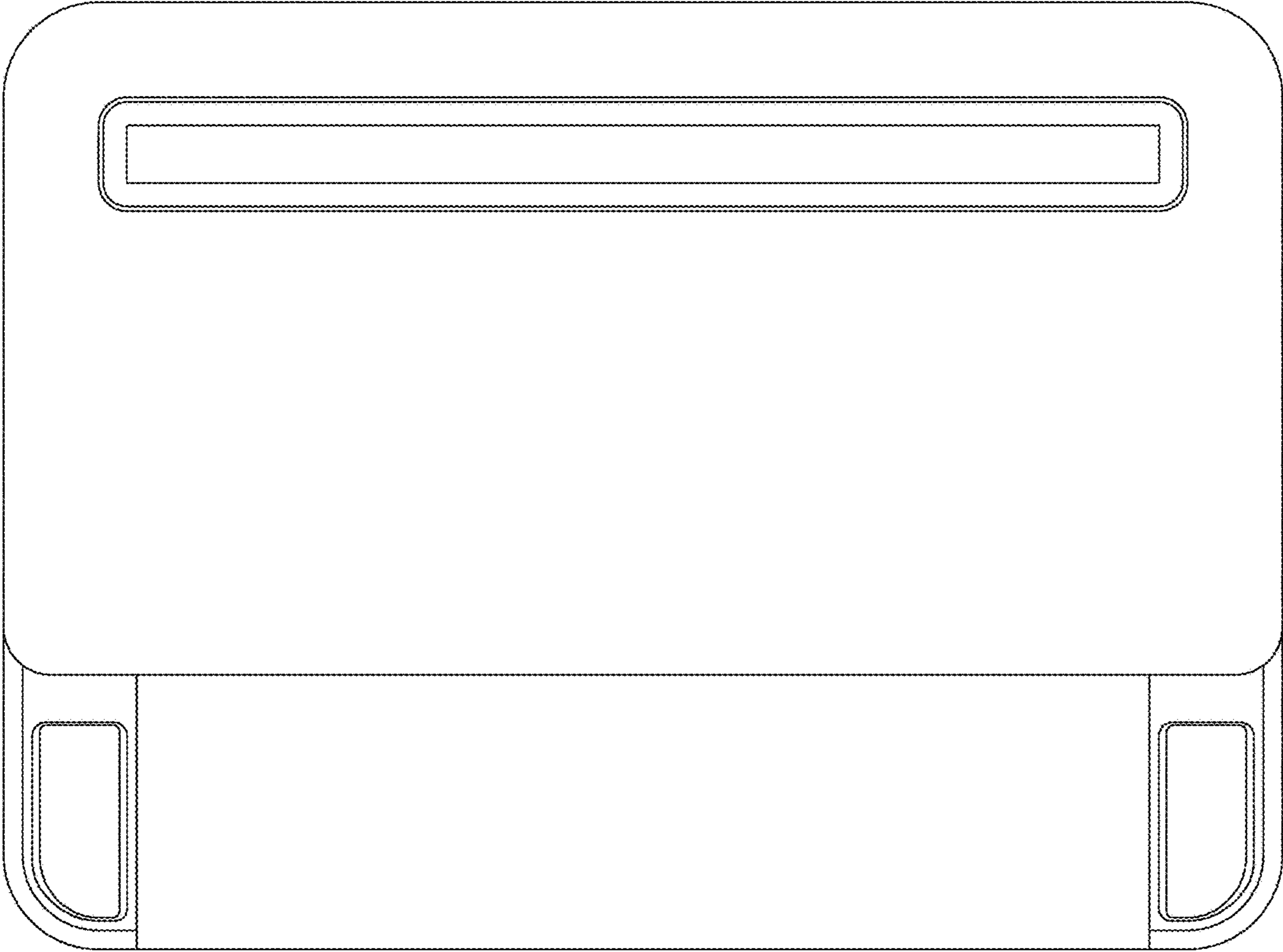


FIG. 4

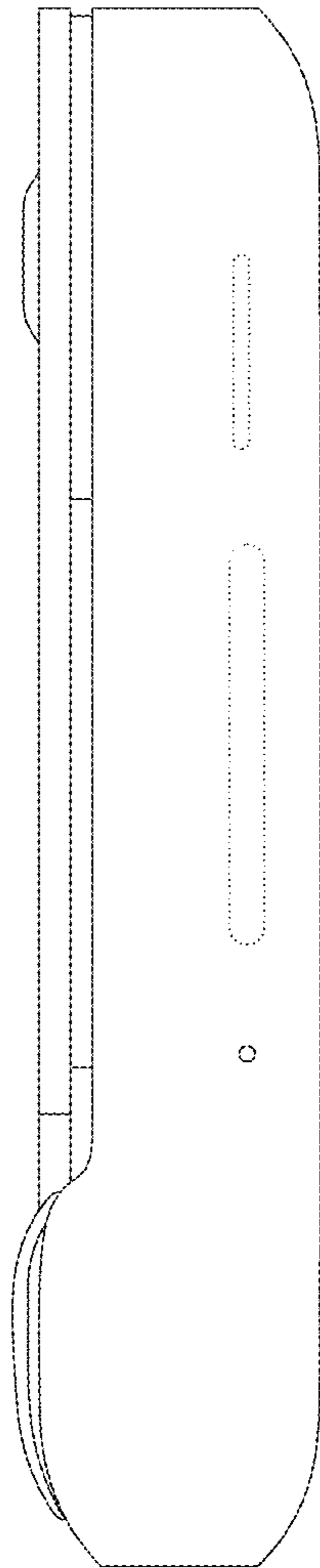


FIG. 5

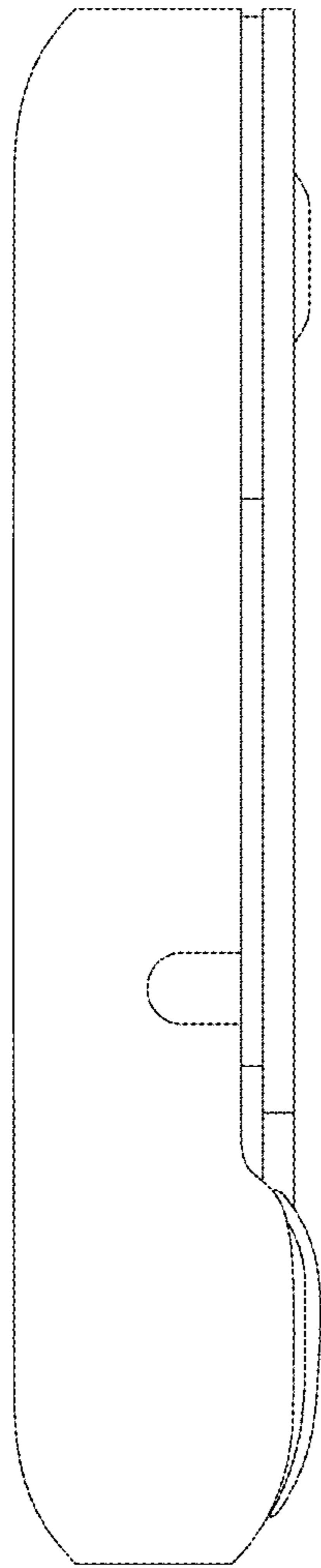


FIG. 6

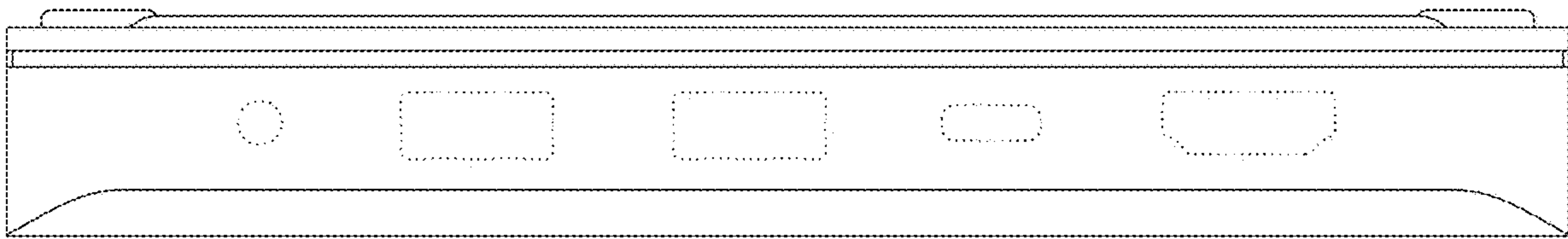


FIG. 7

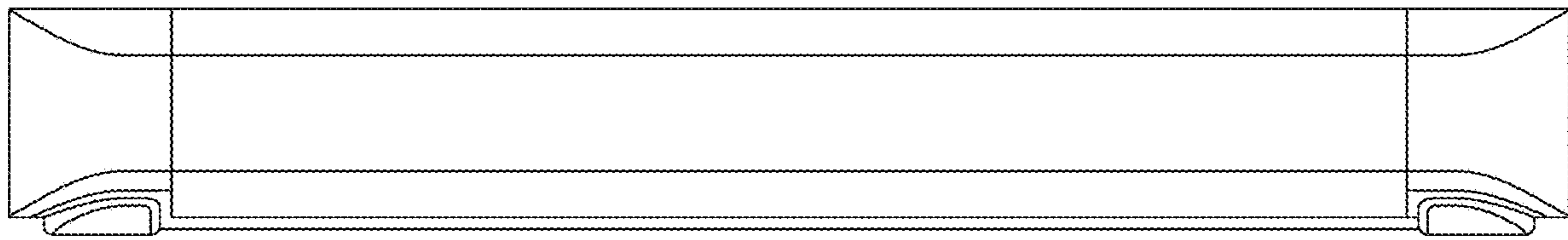


FIG. 8

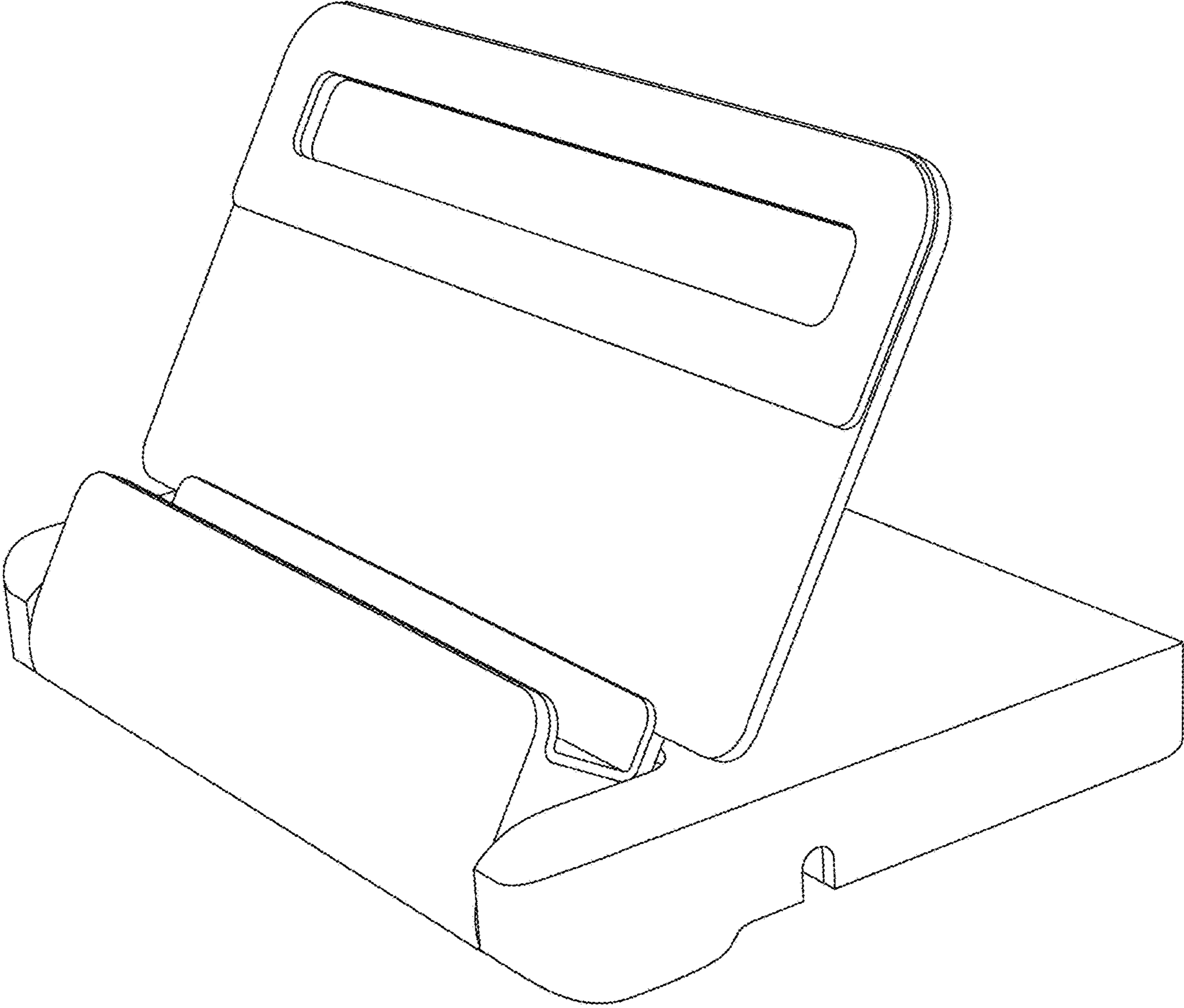


FIG. 9

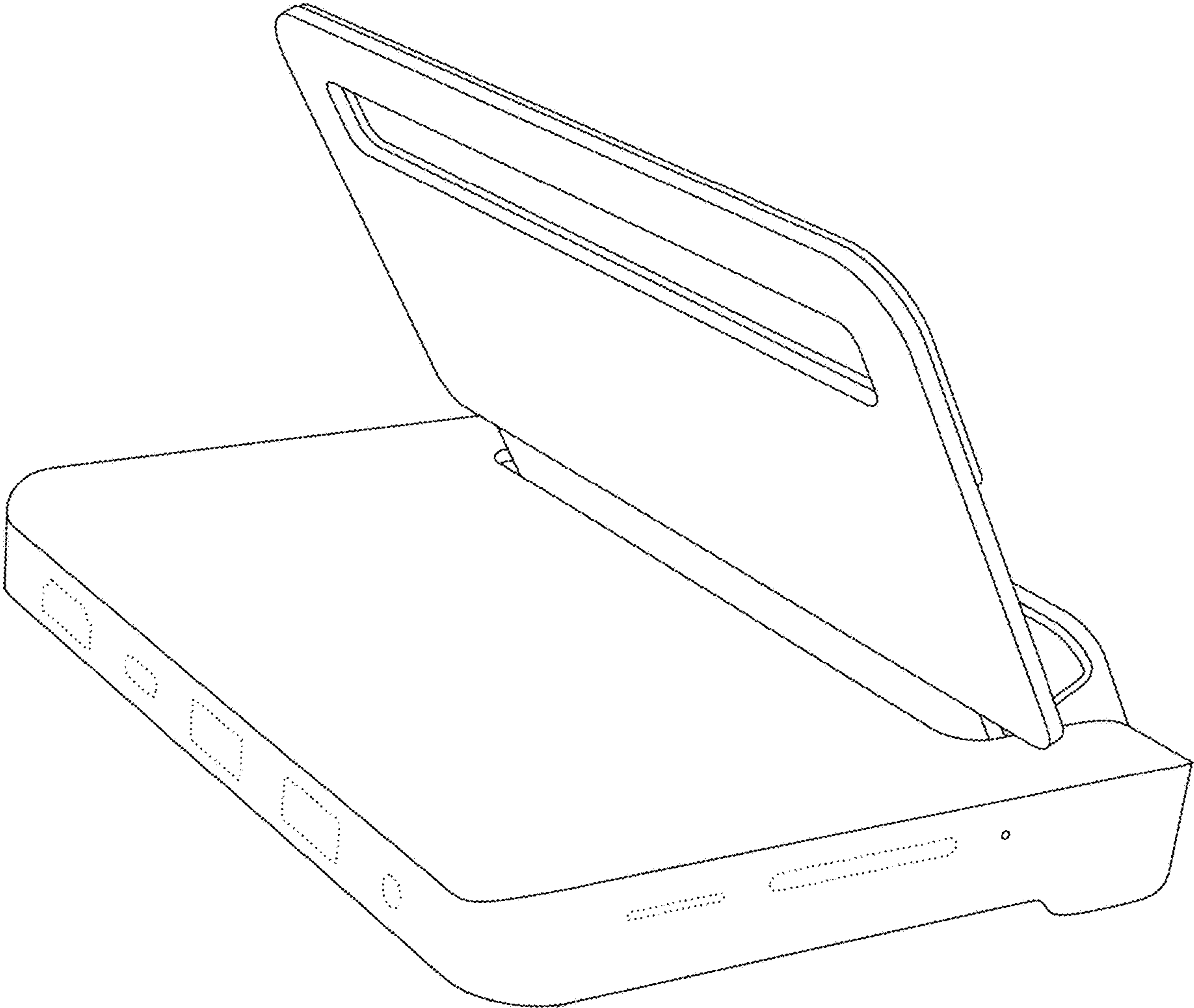


FIG. 10