



US00D944802S

(12) **United States Design Patent**  
**Shen et al.**

(10) **Patent No.:** **US D944,802 S**  
(45) **Date of Patent:** **\*\* Mar. 1, 2022**

(54) **DATA CAPTURE DEVICE**

(71) Applicant: **ZEBRA TECHNOLOGIES CORPORATION**, Lincolnshire, IL (US)

(72) Inventors: **Mu-Kai Shen**, Taipei (TW); **Huang Chih Huang**, Taoyuan (TW); **Chandra M. Nair**, Mount Sinai, NY (US); **Mark Thomas Fountain**, London (GB)

(73) Assignee: **Zebra Technologies Corporation**, Lincolnshire, IL (US)

(\*\*) Term: **15 Years**

(21) Appl. No.: **29/776,700**

(22) Filed: **Mar. 31, 2021**

**Related U.S. Application Data**

(63) Continuation of application No. 29/670,718, filed on Nov. 19, 2018, now Pat. No. Des. 922,386.

(51) **LOC (13) Cl.** ..... **14-02**

(52) **U.S. Cl.**  
USPC ..... **D14/429**; D14/428

(58) **Field of Classification Search**

USPC ..... D14/420, 426–430, 453, 346, 341, 347, D14/412, 138 R, 138 AA, 138 C; D13/107, 184; 358/473; 235/462.43, 235/462.45, 462.47, 462.48, 462.44, 235/462.46, 487, 472.01, 472.02, 145 A, 235/145 R, 385, 440, 383, 454, 462.01; D10/78, 46, 70, 75, 80; 324/426; D3/273; 710/73; D18/7; 361/679, 728, 361/679.56, 679.55, 679.59; 382/313, 382/321; 455/575.1, 561, 572, 557, 349, 455/556.1, 556.2, 90.3; 345/156, 168, 345/169, 172, 173, 87; 705/17, 18, 705/22–25; 343/872, 846, 700 MS  
CPC ..... G06F 1/626; G06F 1/1626; G06F 1/1656; G06F 1/1632; G06F 1/1684; G06F 1/1635; G06F 8/63; G06F 17/30091;

G06F 9/4401; G06K 7/10881; G06K 7/1098; G06K 7/10722; G06K 7/1404; G06K 7/0004; G06K 7/10633; G06K 7/10851; G06K 7/1091; G06K 7/1092; G06K 7/1093; G06K 7/10; G06K 7/109; G06K 7/1417; G06K 7/10386; G06K 7/10079; G06K 7/10891; G06K 7/1097; G06K 7/10366; G06K

(Continued)

(56) **References Cited**

U.S. PATENT DOCUMENTS

D460,075 S 7/2002 Destefano et al.  
D494,593 S \* 8/2004 Wulff ..... D14/347

(Continued)

OTHER PUBLICATIONS

The MC9200 Mobile Computer. The Gold Standard for Mobility in Demanding Environments; published Feb. 21, 2018.

*Primary Examiner* — Susan Moon Lee

(57) **CLAIM**

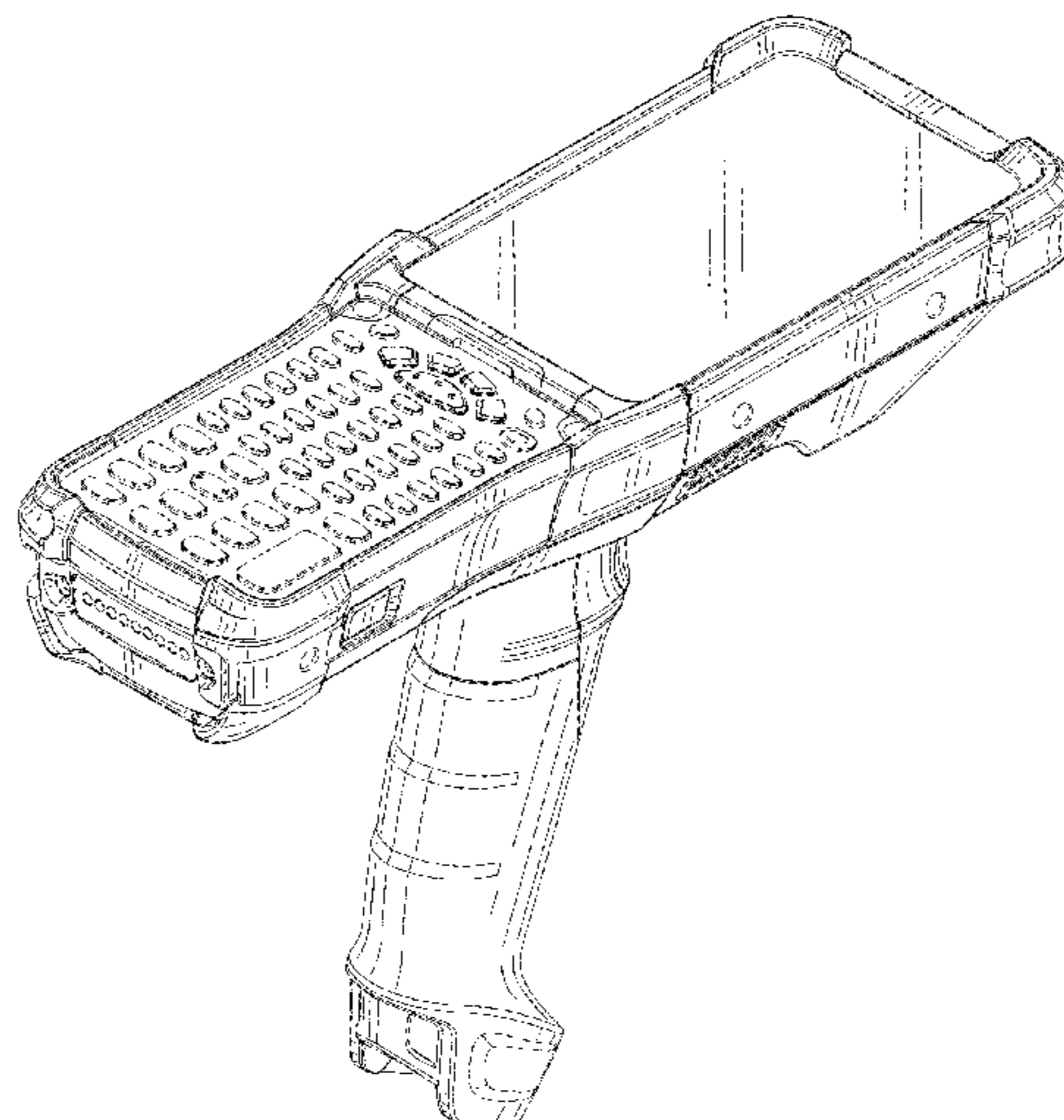
We claim the ornamental design for a data capture device, as shown and described.

**DESCRIPTION**

FIG. 1 is a front perspective view of an example data capture device;  
FIG. 2 is a rear perspective view thereof;  
FIG. 3 is a first side view thereof;  
FIG. 4 is a second side view thereof;  
FIG. 5 is top view thereof;  
FIG. 6 is bottom view thereof;  
FIG. 7 is a rear view thereof; and,  
FIG. 8 is a front view thereof.

Broken lines of a particular embodiment are for purposes of illustrating environment and form no part of the claimed design.

**1 Claim, 8 Drawing Sheets**



(58) **Field of Classification Search**

CPC ..... 7/10425; G06K 7/10376; G06K 7/10396;  
 G06K 7/015; G06K 7/10316; G06K  
 9/228; G06K 17/0022; G06K 17/00;  
 G06K 2207/1011; G06K 2207/1013;  
 G06K 2207/1016; G06K 2207/1018;  
 G06K 2017/0051; G06K 2017/0067;  
 G06K 2007/10524; G06K 2007/10534;  
 G06K 2007/10544; G06K 19/0723; G06K  
 7/1095; G06K 7/089; G06K 7/10821;  
 G07G 1/0081; G07G 1/009; G06Q 20/20;  
 G06Q 20/201; G06Q 20/202; G06Q  
 20/203; G06Q 20/30; G06Q 20/32; G06Q  
 20/322; G06Q 20/4014; G06Q 10/087;  
 H04N 1/00127; H04N 1/00135; H04N  
 1/00326; H04N 1/00334; H04N 1/00307;  
 H04N 1/107; H04N 2201/0084; H04N  
 2101/00; H04M 1/0249; H04M 1/0262;  
 H04M 1/0266; H04M 1/18; H04M 1/23;  
 H04M 1/236; H04B 1/3827; H04B  
 1/3833; H04B 1/3877; H04B 1/3883;  
 H04B 1/3888; H04B 2001/3894; H01M  
 2/1066; H01Q 1/42; H01Q 1/2216; H01Q  
 1/20; H01Q 1/22; H01Q 1/2208; H01Q  
 1/2258; H01Q 1/241; H01Q 1/242; H01Q  
 1/244; H01Q 1/27; H01Q 1/273; H01Q  
 9/16; H01Q 9/285; H01Q 19/28; Y10T  
 29/49016

See application file for complete search history.

(56) **References Cited**

U.S. PATENT DOCUMENTS

D614,627 S \* 4/2010 Lerner ..... D14/429  
 D629,001 S 12/2010 Palmer et al.  
 D634,744 S 3/2011 Palmer et al.  
 7,903,033 B2 \* 3/2011 Bellows ..... H01Q 1/242  
 343/702  
 D638,422 S \* 5/2011 Reed ..... D14/347  
 7,992,787 B2 \* 8/2011 Mangaroo ..... H05K 5/0247  
 235/472.01  
 8,025,236 B2 \* 9/2011 Mangaroo ..... G06K 7/10881  
 235/472.01  
 8,088,507 B2 \* 1/2012 Su ..... H04B 1/3883  
 429/97  
 D661,306 S \* 6/2012 Cullen ..... D14/426  
 D662,099 S \* 6/2012 Cullen ..... D14/426  
 8,199,489 B2 \* 6/2012 Mangaroo ..... G06F 1/1626  
 361/679.55  
 D664,145 S \* 7/2012 Cullen ..... D14/426  
 D673,955 S \* 1/2013 Mangaroo ..... D14/429  
 D676,080 S \* 2/2013 Van Den Broecke ..... D18/14

D676,850 S \* 2/2013 Minato ..... D14/429  
 D677,663 S \* 3/2013 Minafo ..... D14/429  
 8,567,682 B2 \* 10/2013 Boyd ..... G06K 7/10  
 235/472.01  
 8,587,595 B2 \* 11/2013 Wang ..... G06K 7/1417  
 345/505  
 D697,067 S \* 1/2014 Minafo ..... D14/429  
 D704,711 S \* 5/2014 Minafo ..... D14/426  
 D716,307 S \* 10/2014 Paufler ..... D14/426  
 D732,534 S \* 6/2015 Paufler ..... D14/429  
 D753,119 S \* 4/2016 Paufler ..... D14/426  
 D774,507 S \* 12/2016 Borgini ..... D14/347  
 D792,407 S \* 7/2017 Fitch ..... D14/426  
 D835,107 S \* 12/2018 Memke ..... D14/426  
 D917,486 S \* 4/2021 Fountain ..... D14/429  
 D922,386 S \* 6/2021 Shen ..... D14/429  
 2003/0006998 A1 \* 1/2003 Kumar ..... G06F 3/0202  
 715/700  
 2005/0001037 A1 \* 1/2005 Wulff ..... G06F 1/1656  
 235/462.43  
 2006/0054704 A1 \* 3/2006 Fitch ..... G06F 1/1684  
 235/472.01  
 2006/0266841 A1 \* 11/2006 Hansen ..... G06F 1/1684  
 235/472.02  
 2007/0158429 A1 \* 7/2007 Bhatia ..... G06K 7/1098  
 235/462.45  
 2008/0006699 A1 \* 1/2008 Hattersley ..... G06K 7/1098  
 235/472.01  
 2008/0123262 A1 \* 5/2008 Coleman ..... G06F 1/1656  
 361/679.08  
 2008/0128499 A1 \* 6/2008 Chen ..... G06K 7/10851  
 235/444  
 2008/0203167 A1 \* 8/2008 Soule ..... G06F 16/13  
 235/462.01  
 2008/0297479 A1 \* 12/2008 Yeh ..... G06F 1/1626  
 345/169  
 2009/0168337 A1 \* 7/2009 Conti ..... G06F 1/1656  
 361/679.56  
 2009/0224039 A1 \* 9/2009 Hause ..... G06K 7/0004  
 235/385  
 2009/0270136 A1 \* 10/2009 Su ..... H04M 1/0262  
 455/572  
 2012/0118969 A1 \* 5/2012 Zolotov ..... G06K 7/10722  
 235/462.04  
 2012/0120612 A1 \* 5/2012 Tran ..... G02B 6/4463  
 361/730  
 2012/0312877 A1 \* 12/2012 Zolotov ..... G06K 7/10841  
 235/462.04  
 2013/0341399 A1 \* 12/2013 Xian ..... G06K 7/10881  
 235/449  
 2014/0185234 A1 \* 7/2014 Lee ..... H04M 1/236  
 361/679.56  
 2014/0217180 A1 \* 8/2014 Liu ..... E05B 73/0005  
 235/472.01  
 2014/0249942 A1 \* 9/2014 Hicks ..... G06Q 20/20  
 705/17

\* cited by examiner



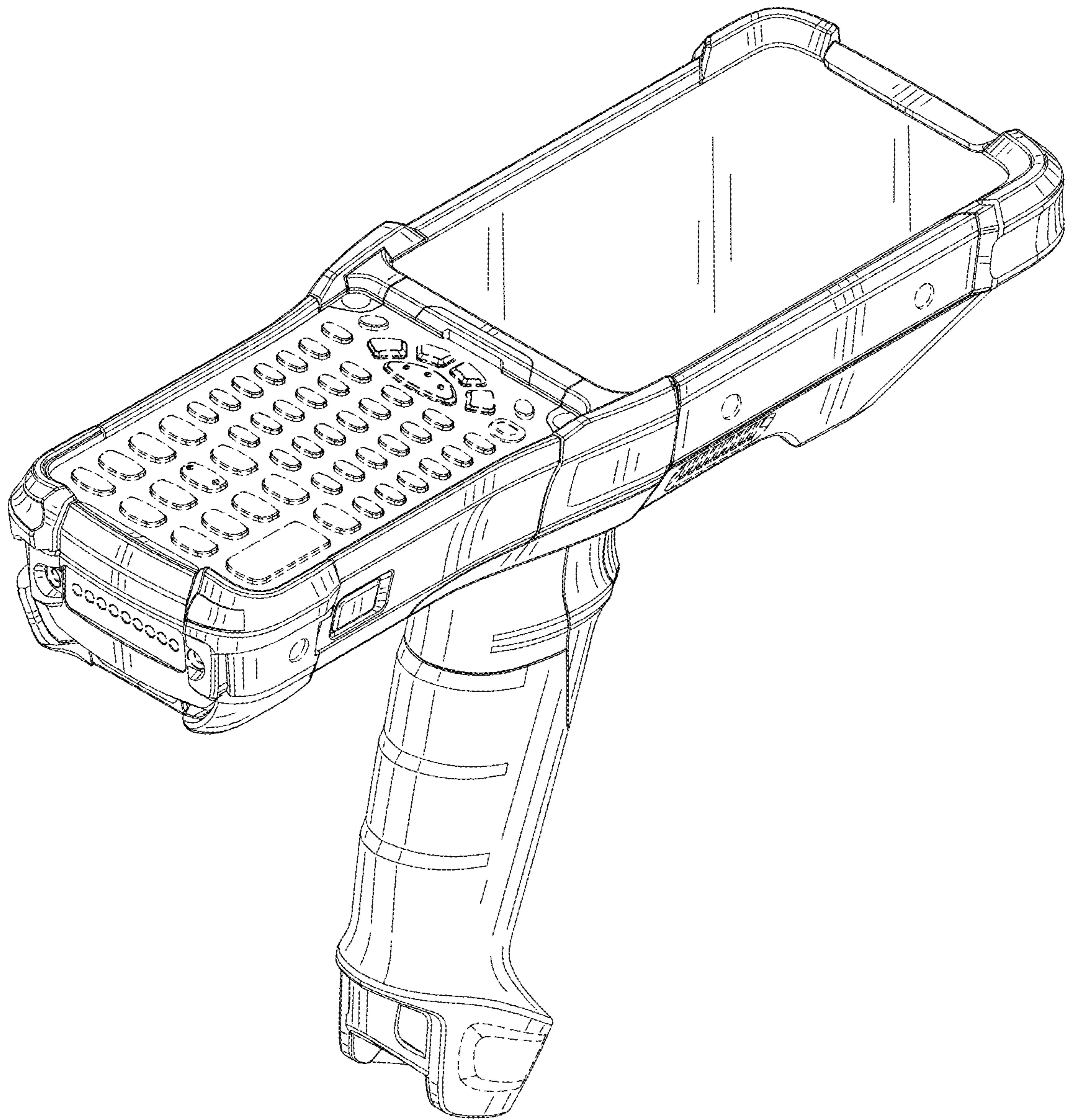


FIG. 1

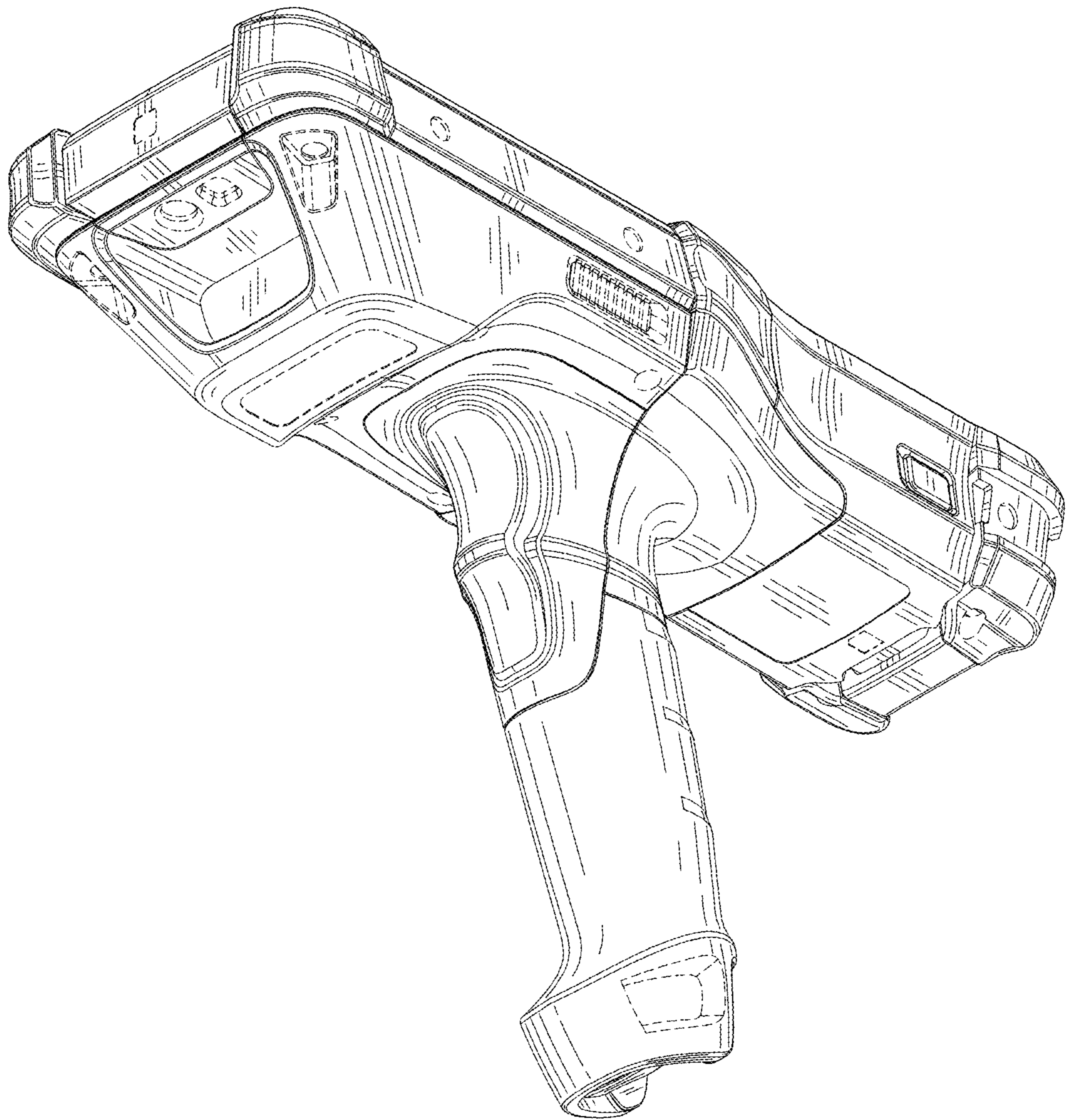


FIG. 2

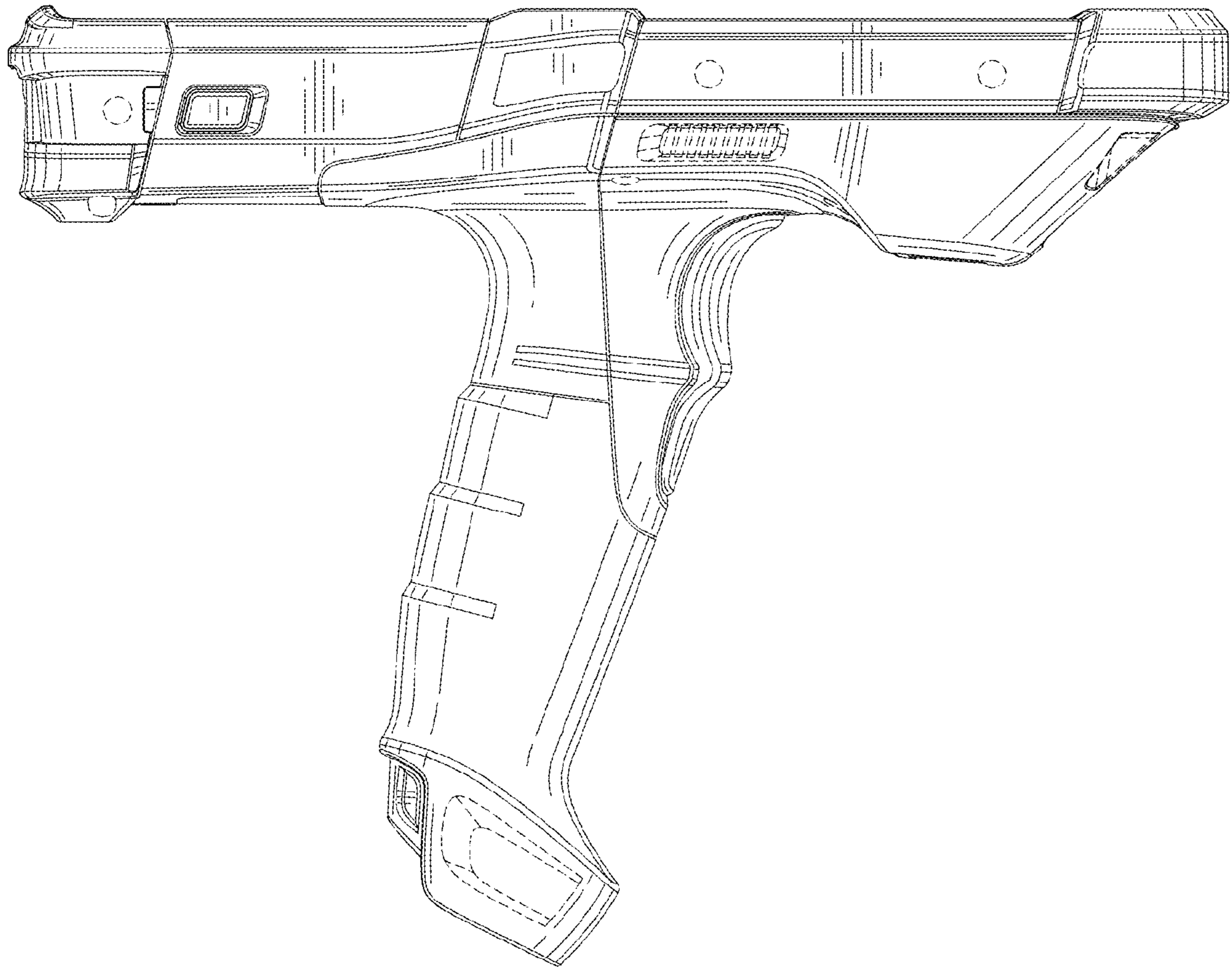


FIG. 3



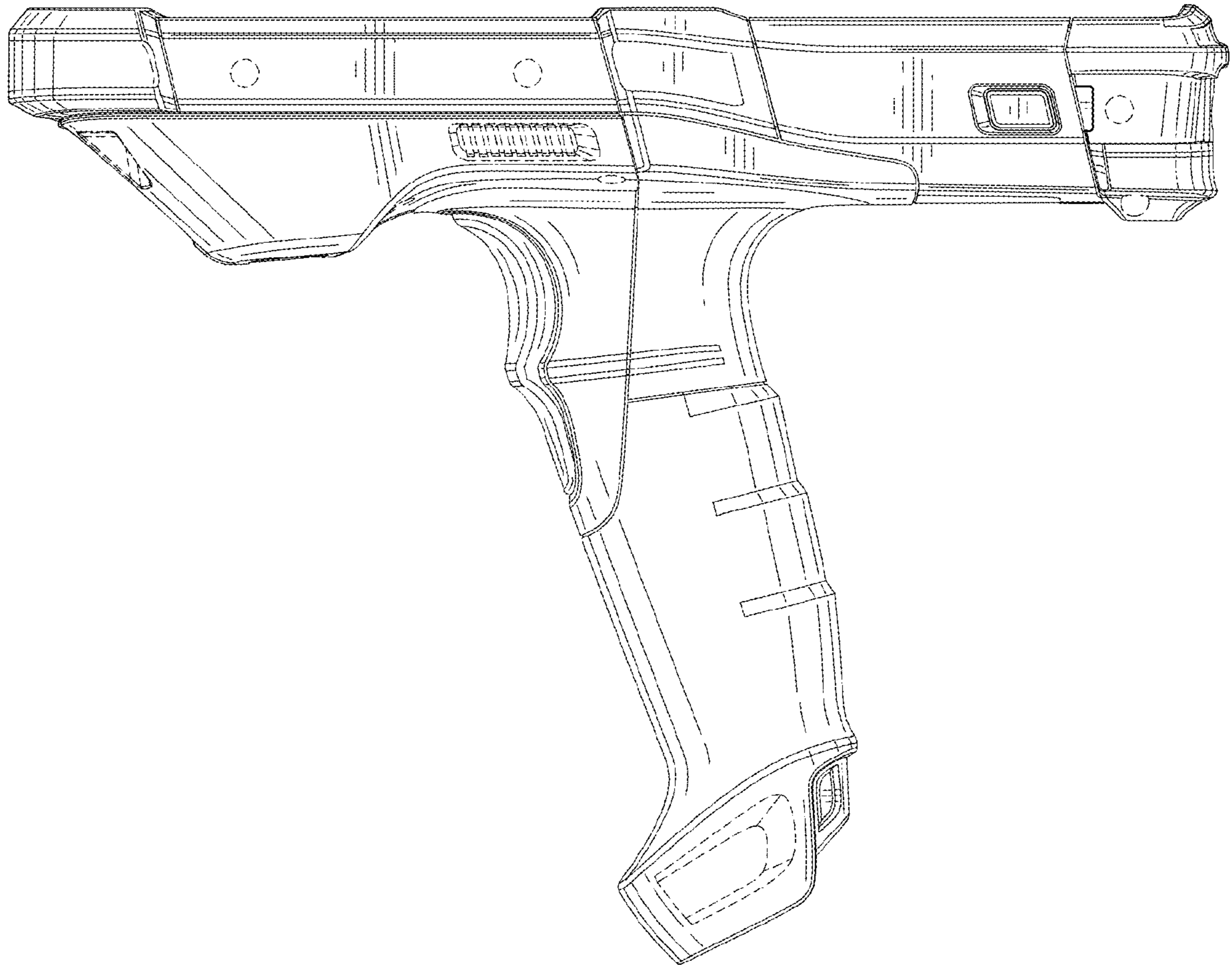


FIG. 4

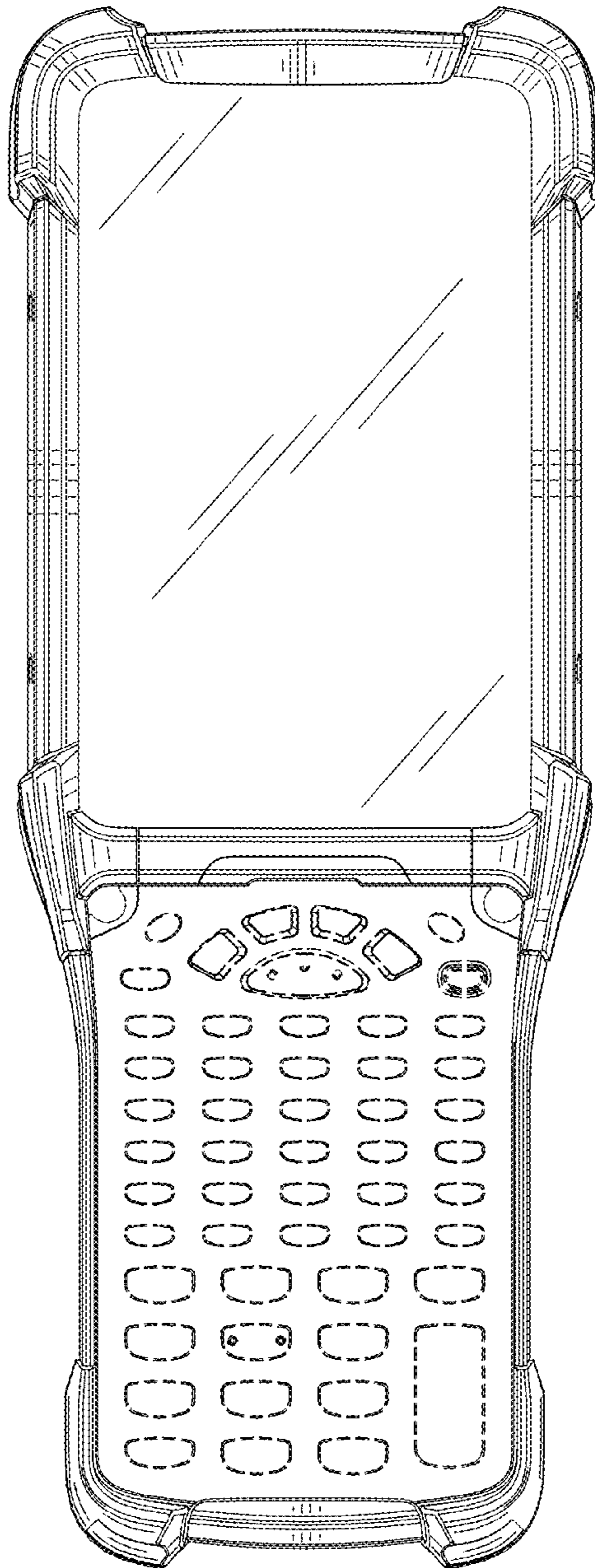


FIG. 5

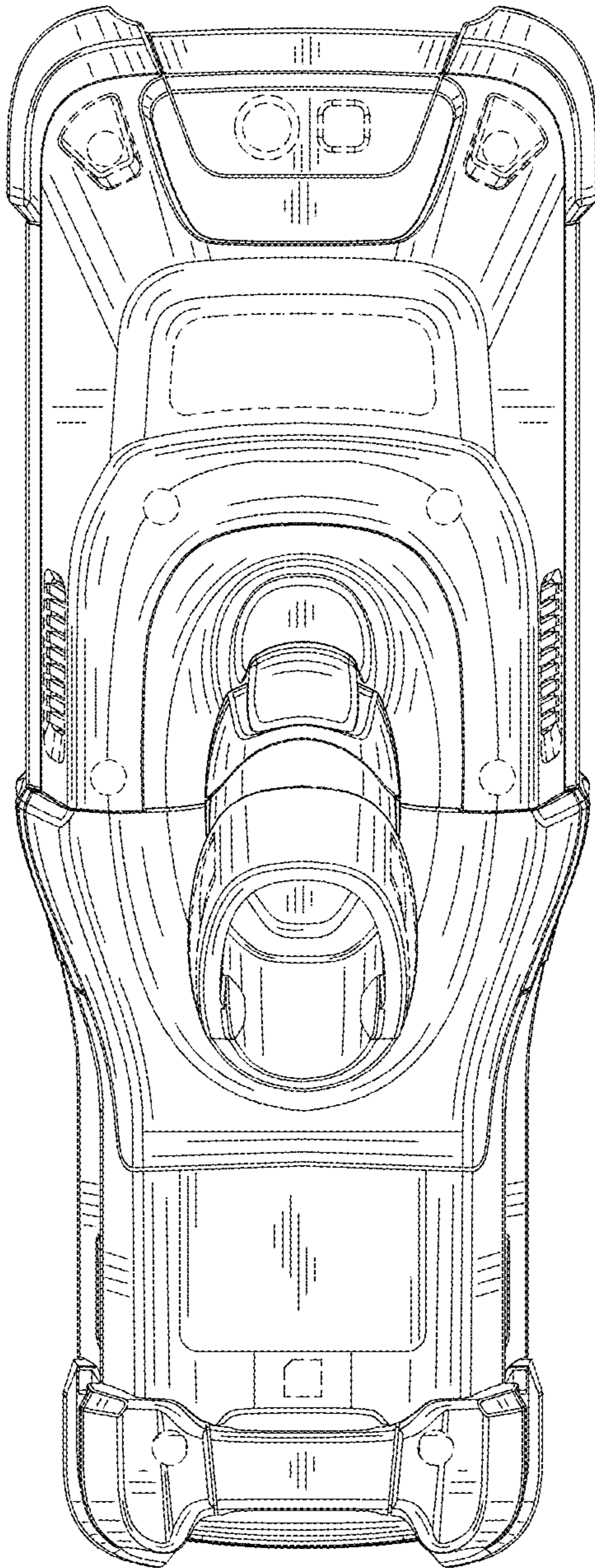


FIG. 6



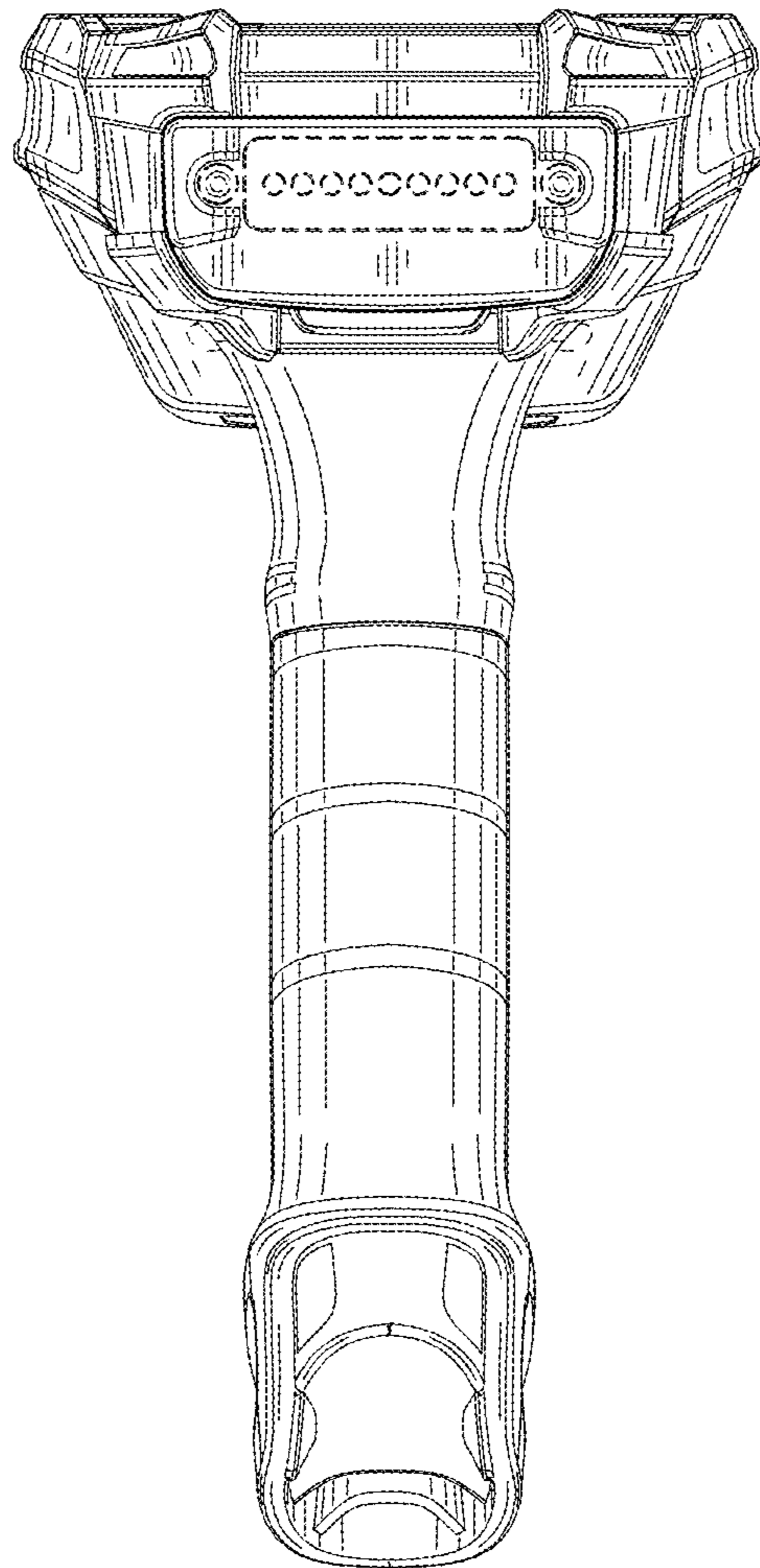


FIG. 7

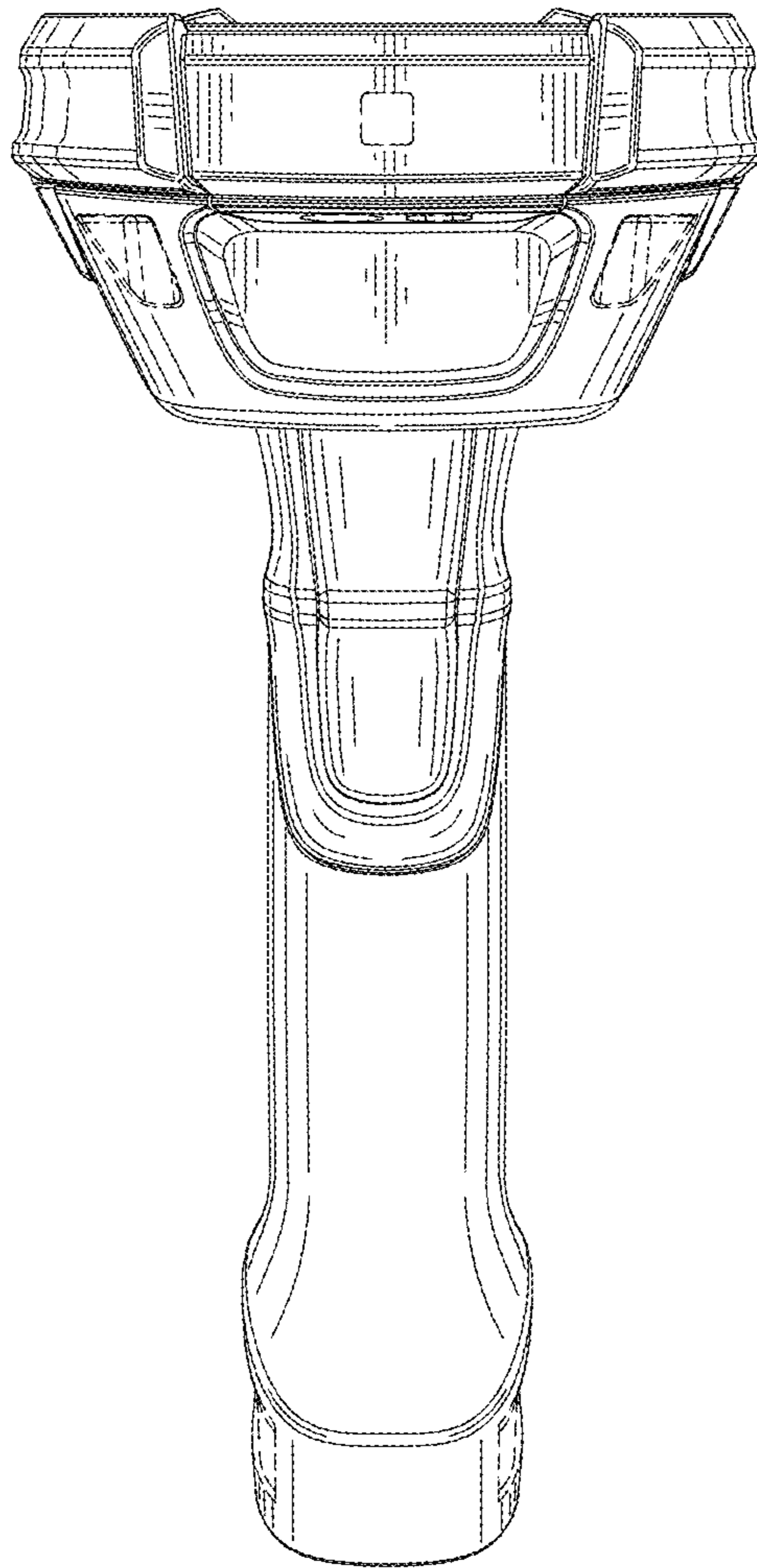


FIG. 8