



US00D944801S

(12) **United States Design Patent**
Huang

(10) **Patent No.:** **US D944,801 S**
(45) **Date of Patent:** **** Mar. 1, 2022**

(54) **STYLUS**
(71) Applicant: **Fengquan Huang**, Heyuan (CN)
(72) Inventor: **Fengquan Huang**, Heyuan (CN)
(**) Term: **15 Years**
(21) Appl. No.: **29/758,856**
(22) Filed: **Nov. 19, 2020**
(51) **LOC (13) Cl.** **14-02**
(52) **U.S. Cl.**
USPC **D14/411**
(58) **Field of Classification Search**
USPC D14/372, 496, 432, 371, 125, 126, 129,
D14/299, 411; D16/300-342; 351/158,
351/153, 144; 345/7-9, 905; 455/344;
348/115, 53, 121, 739
CPC G02B 27/017; G06F 3/016; G06F 3/033;
G06F 3/0317; G06F 3/03545; G06F
3/041; G06K 9/222
See application file for complete search history.

(56) **References Cited**
U.S. PATENT DOCUMENTS
D825,566 S * 8/2018 Peterson D14/411
D826,230 S * 8/2018 Peterson D14/411
D863,436 S * 10/2019 Thies D19/186
D864,298 S * 10/2019 Li D19/177

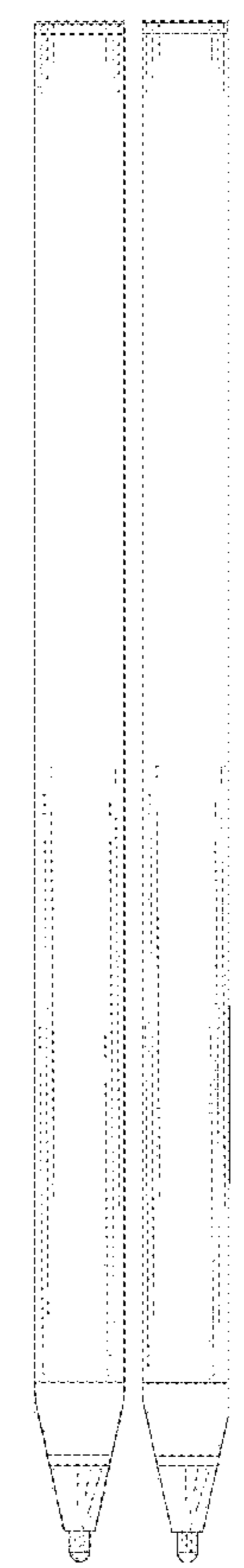
D879,778 S * 3/2020 Nakajima D14/411
D896,810 S * 9/2020 Akana D14/411
D901,585 S * 11/2020 Vadenne D19/186
D908,703 S * 1/2021 Huang D14/411
D914,683 S * 3/2021 Son D14/411
D921,628 S * 6/2021 Huang D14/411
D921,631 S * 6/2021 Huang D14/411
D921,632 S * 6/2021 Huang D14/411
D934,342 S * 10/2021 Lee D19/204
D936,652 S * 11/2021 Cen D14/411
D936,654 S * 11/2021 Wu D14/411
D936,655 S * 11/2021 Wu D14/411

* cited by examiner
Primary Examiner — Austin Murphy
(74) *Attorney, Agent, or Firm* — W&KIP

(57) **CLAIM**
The ornamental design for a stylus, as shown and described.

DESCRIPTION
FIG. 1 is a perspective view of a stylus showing my new design;
FIG. 2 is a front view thereof;
FIG. 3 is a rear view thereof;
FIG. 4 is a left side view thereof;
FIG. 5 is a right side view thereof;
FIG. 6 is an enlarged top plan view thereof; and,
FIG. 7 is an enlarged bottom plan view thereof.

1 Claim, 7 Drawing Sheets



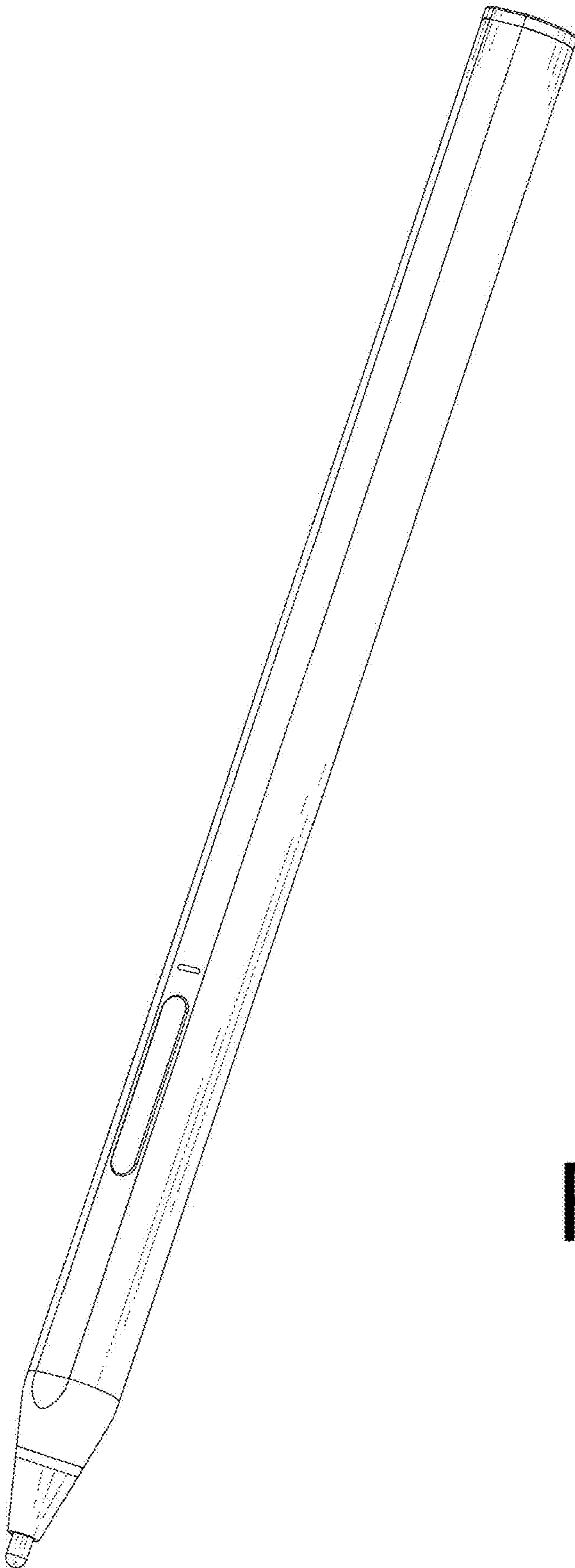


FIG. 1



FIG. 2



FIG. 3



FIG. 4



FIG. 5

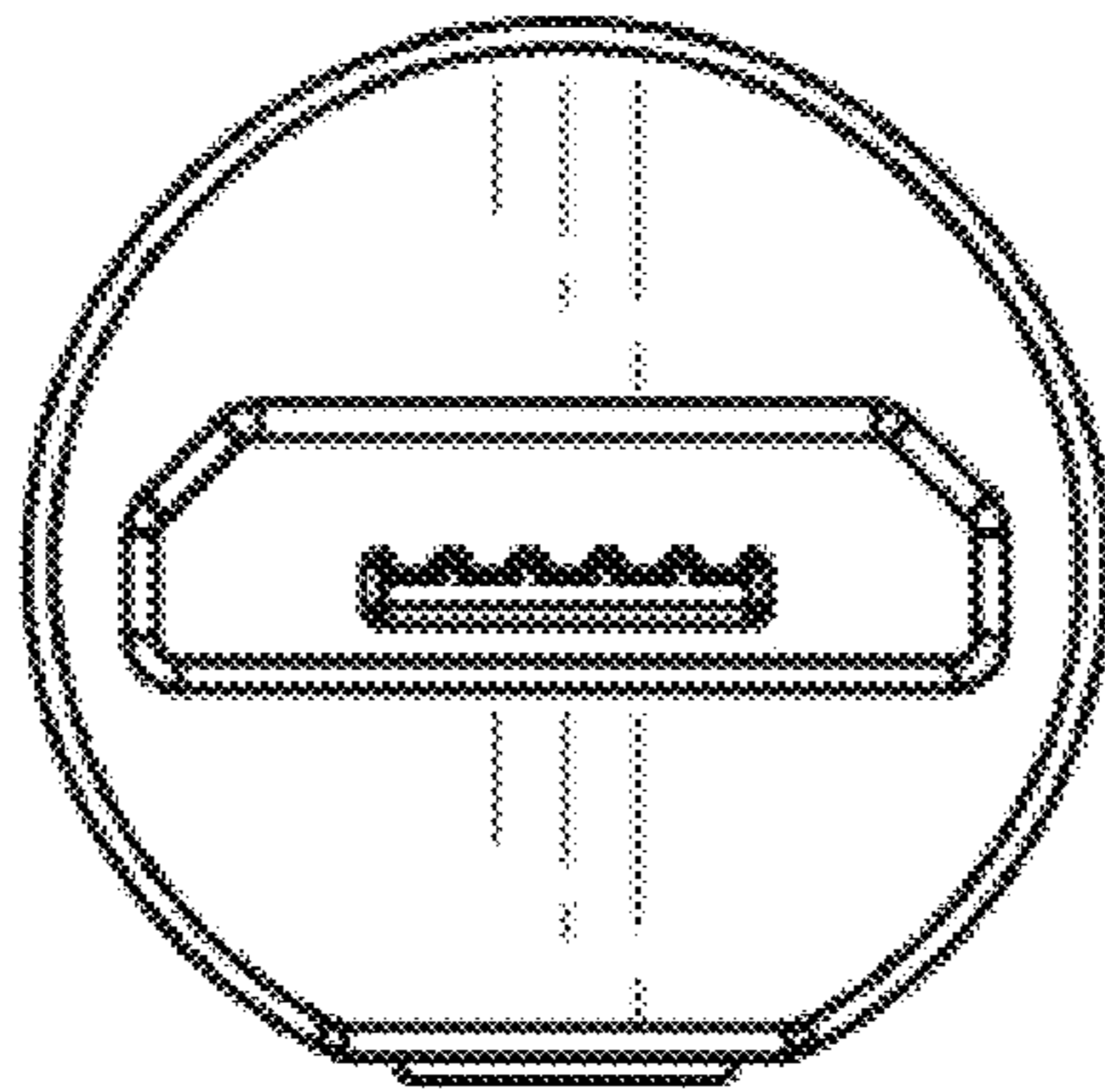


FIG. 6

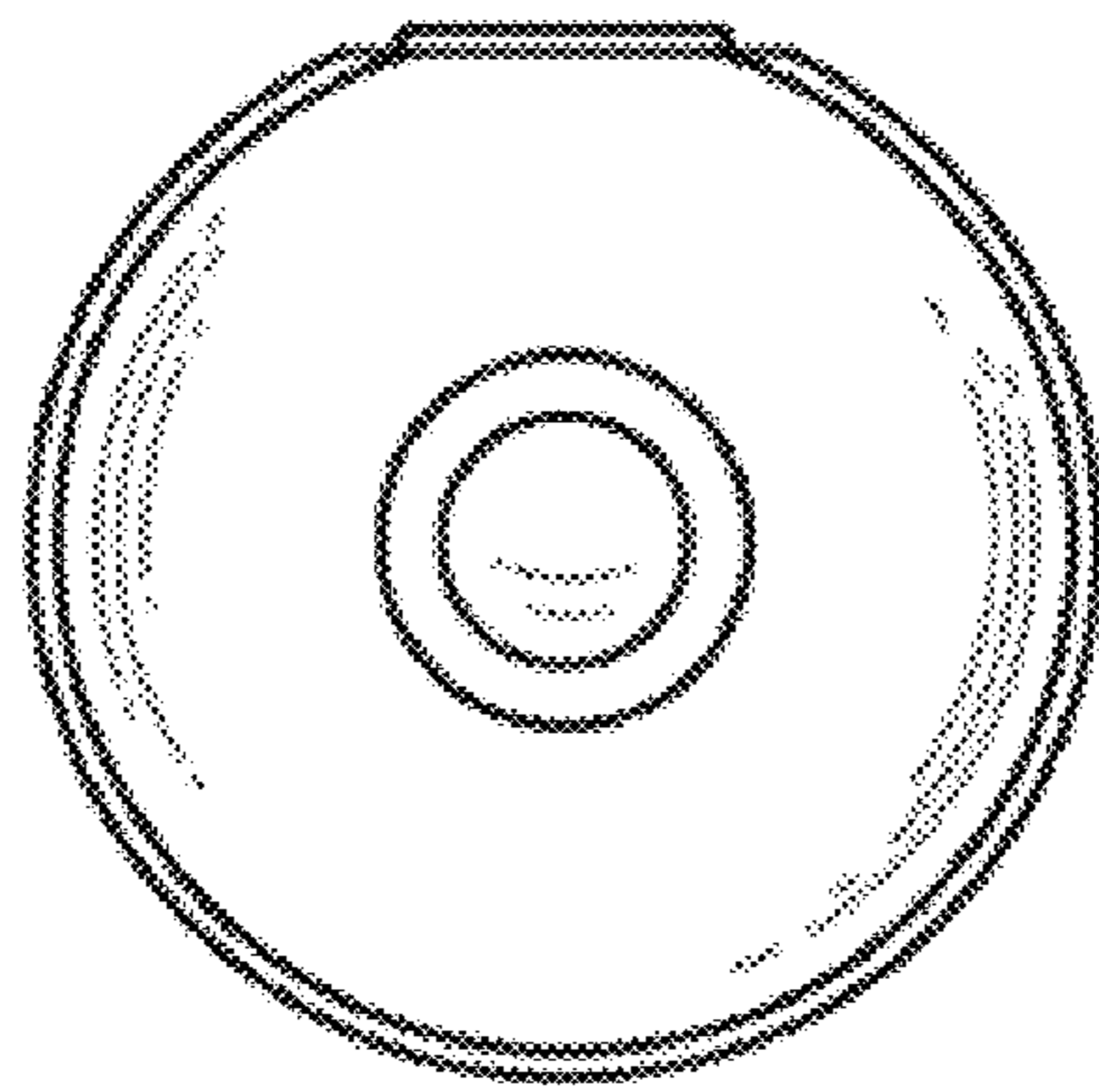


FIG. 7