



US00D944796S

(12) **United States Design Patent** (10) **Patent No.:** **US D944,796 S**
Kim et al. (45) **Date of Patent:** **** Mar. 1, 2022**

(54) **MONITOR FOR COMPUTER**

(56) **References Cited**

(71) Applicant: **LG ELECTRONICS INC.**, Seoul (KR)

U.S. PATENT DOCUMENTS

(72) Inventors: **Yongsoo Kim**, Seoul (KR); **Daihyung Ryu**, Seoul (KR)

D644,642 S *	9/2011	Chou	D14/374
D790,541 S *	6/2017	Jung	D14/374
D791,130 S *	7/2017	Oh	D14/374
D817,900 S *	5/2018	So	D14/126
D826,229 S *	8/2018	Teo	D14/374
D872,085 S *	1/2020	Lee	D14/374
D888,677 S *	6/2020	Ryu	D14/126
D900,820 S *	11/2020	Kim	D14/374
D903,615 S *	12/2020	Goh	D14/126
D912,668 S *	3/2021	Kang	D14/375
D918,908 S *	5/2021	Kang	D14/375
D924,233 S *	7/2021	Kang	D14/371

(73) Assignee: **LG ELECTRONICS INC.**, Seoul (KR)

(**) Term: **15 Years**

* cited by examiner

(21) Appl. No.: **35/510,558**

(22) Filed: **Apr. 10, 2020**

Primary Examiner — Keli L Hill

(80) **Hague Agreement Data**

Int. Filing Date: **Apr. 10, 2020**

Int. Reg. No.: **DM/207592**

Int. Reg. Date: **Apr. 10, 2020**

Int. Reg. Pub. Date: **Oct. 16, 2020**

(74) *Attorney, Agent, or Firm* — Birch, Stewart, Kolasch & Birch, LLP

(57) **CLAIM**

The ornamental design for a monitor for computer, as shown and described.

(30) **Foreign Application Priority Data**

Oct. 21, 2019 (KR) 30-2019-0049778

(51) **LOC (13) Cl.** **14-02**

(52) **U.S. Cl.**
USPC **D14/376**

(58) **Field of Classification Search**

USPC D14/126, 239, 336, 371-382, 448, 450,
D14/451; D21/329, 332, 515; D6/310,
D6/312

CPC G06F 1/16; G06F 1/1601; G06F 1/1637;
H04N 5/64; H05K 5/0204; H05K 5/0004;
H05K 5/0017; H05K 5/0217

See application file for complete search history.

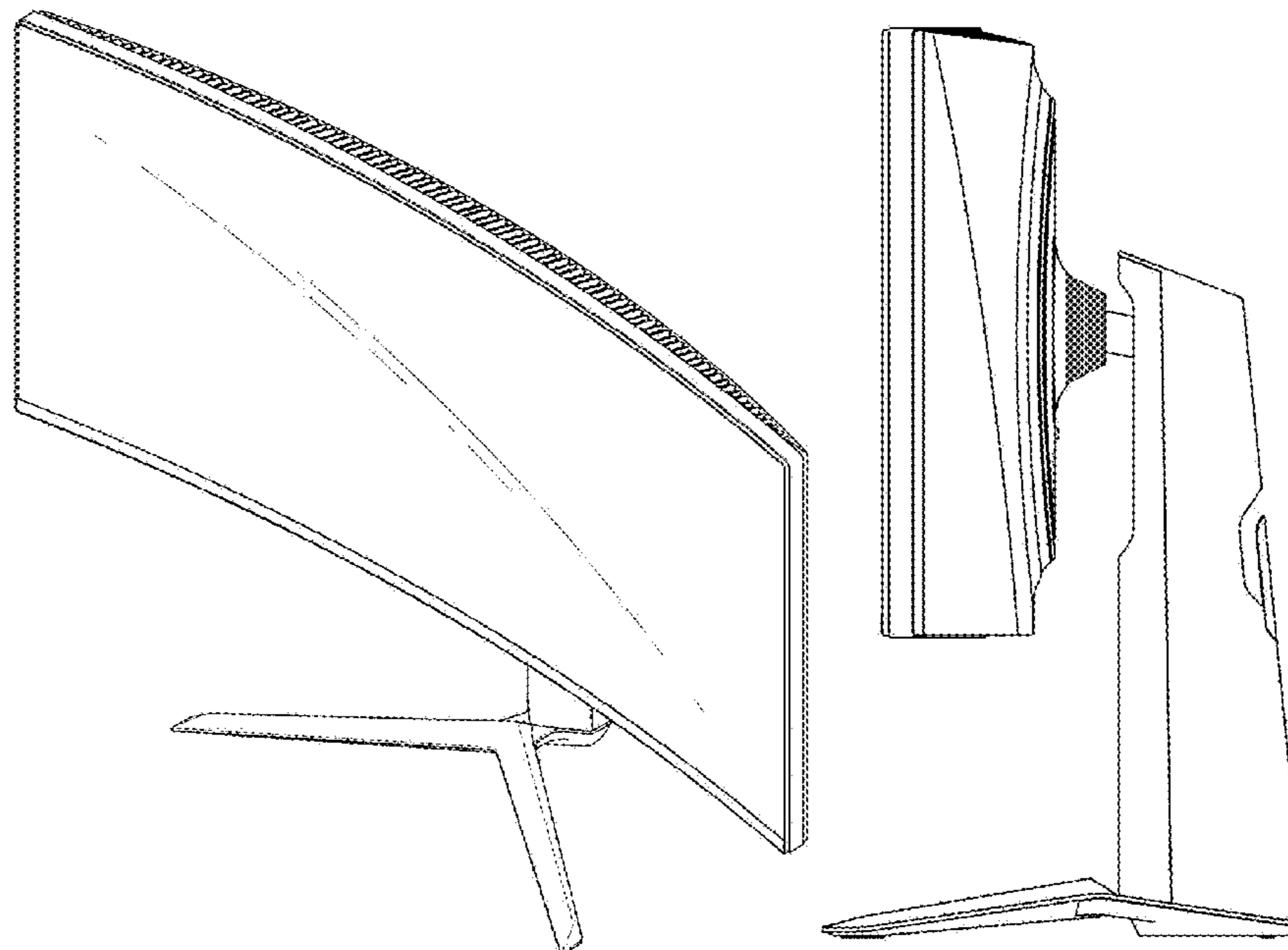
DESCRIPTION

1. Monitor for computer

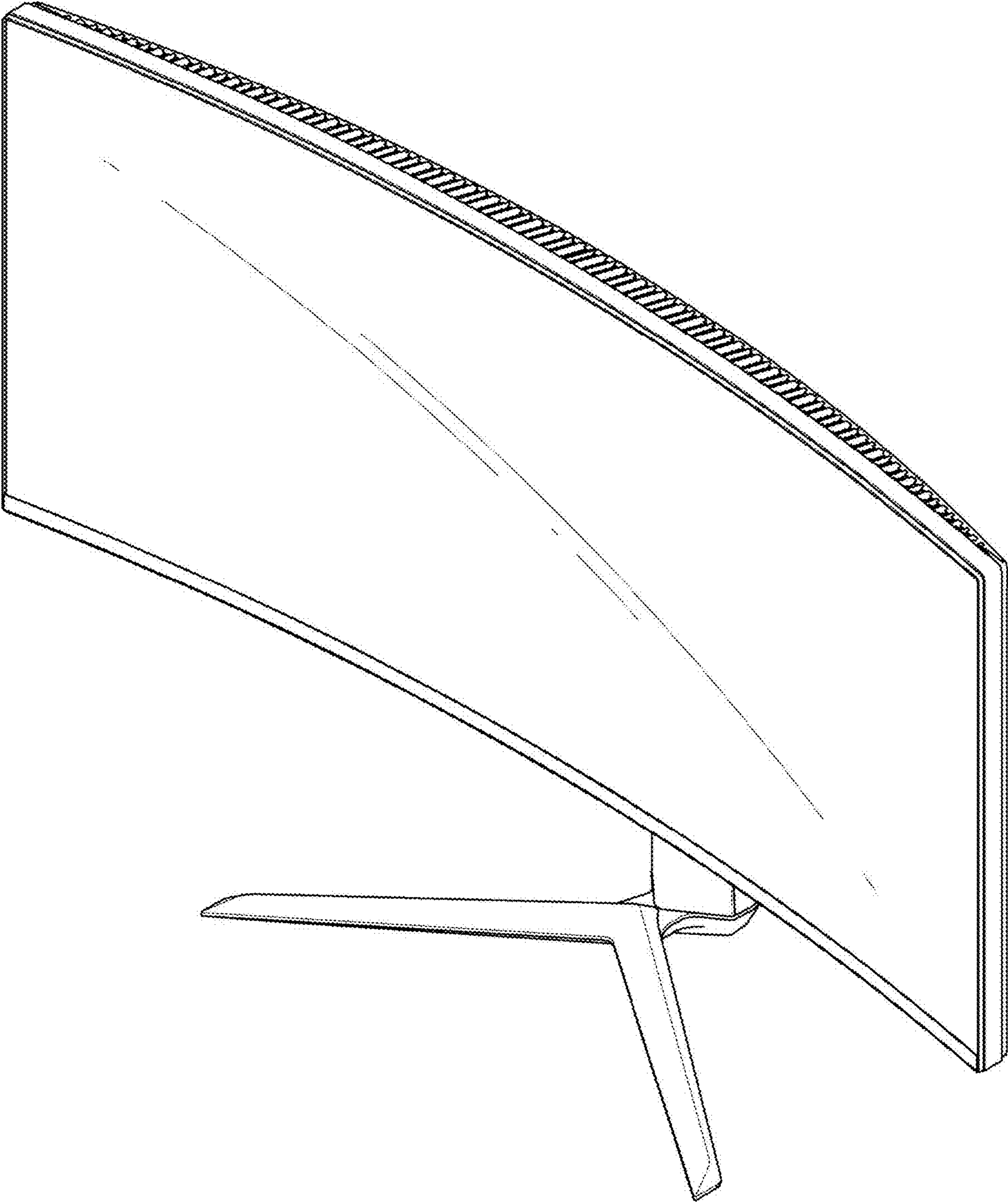
- 1.1 : Perspective
- 1.2 : Rear perspective view
- 1.3 : Front
- 1.4 : Back
- 1.5 : Left
- 1.6 : Right
- 1.7 : Top
- 1.8 : Bottom

The broken lines indicate portions of the article that form no part of the claimed design.

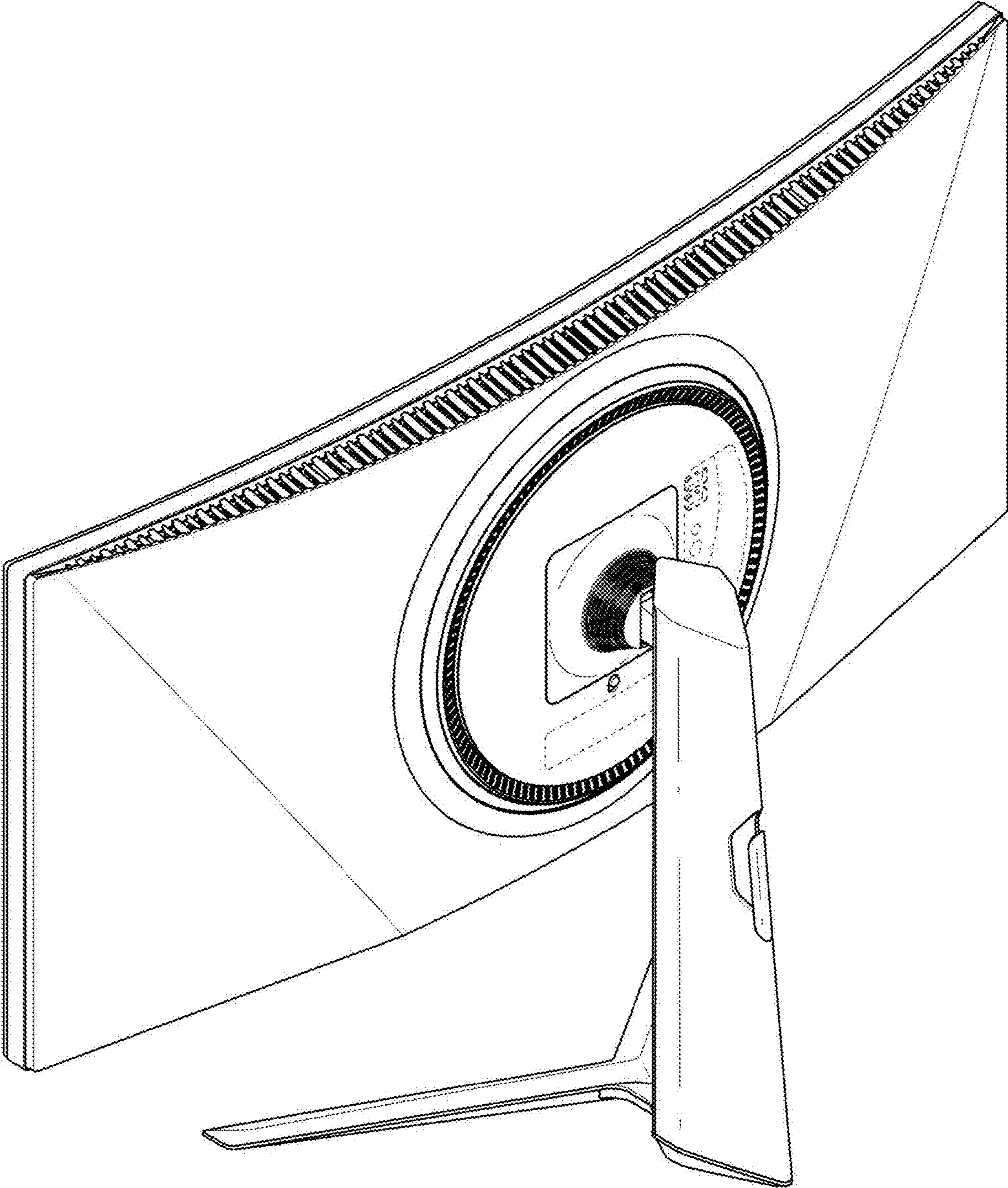
1 Claim, 8 Drawing Sheets



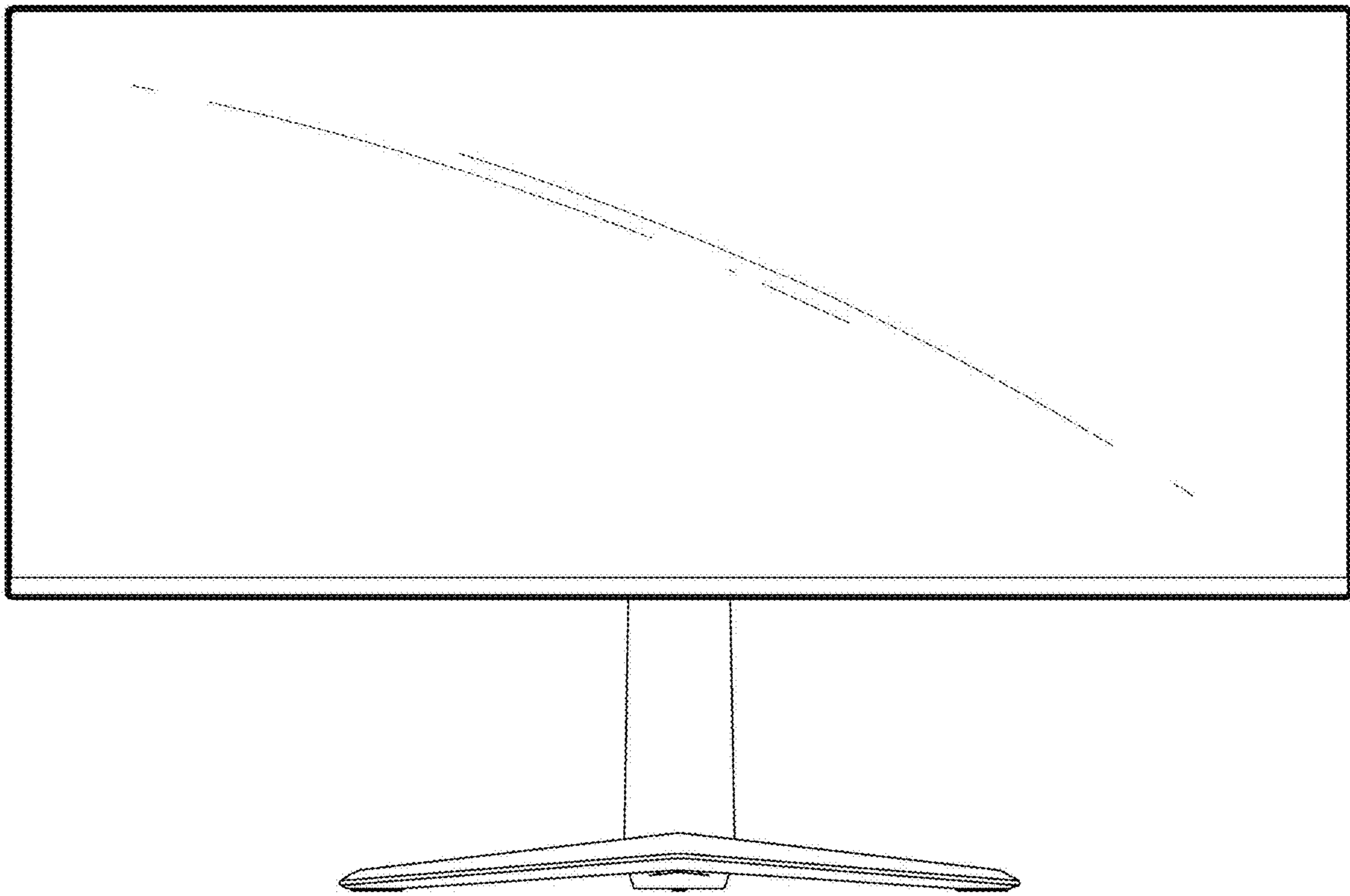
1.1



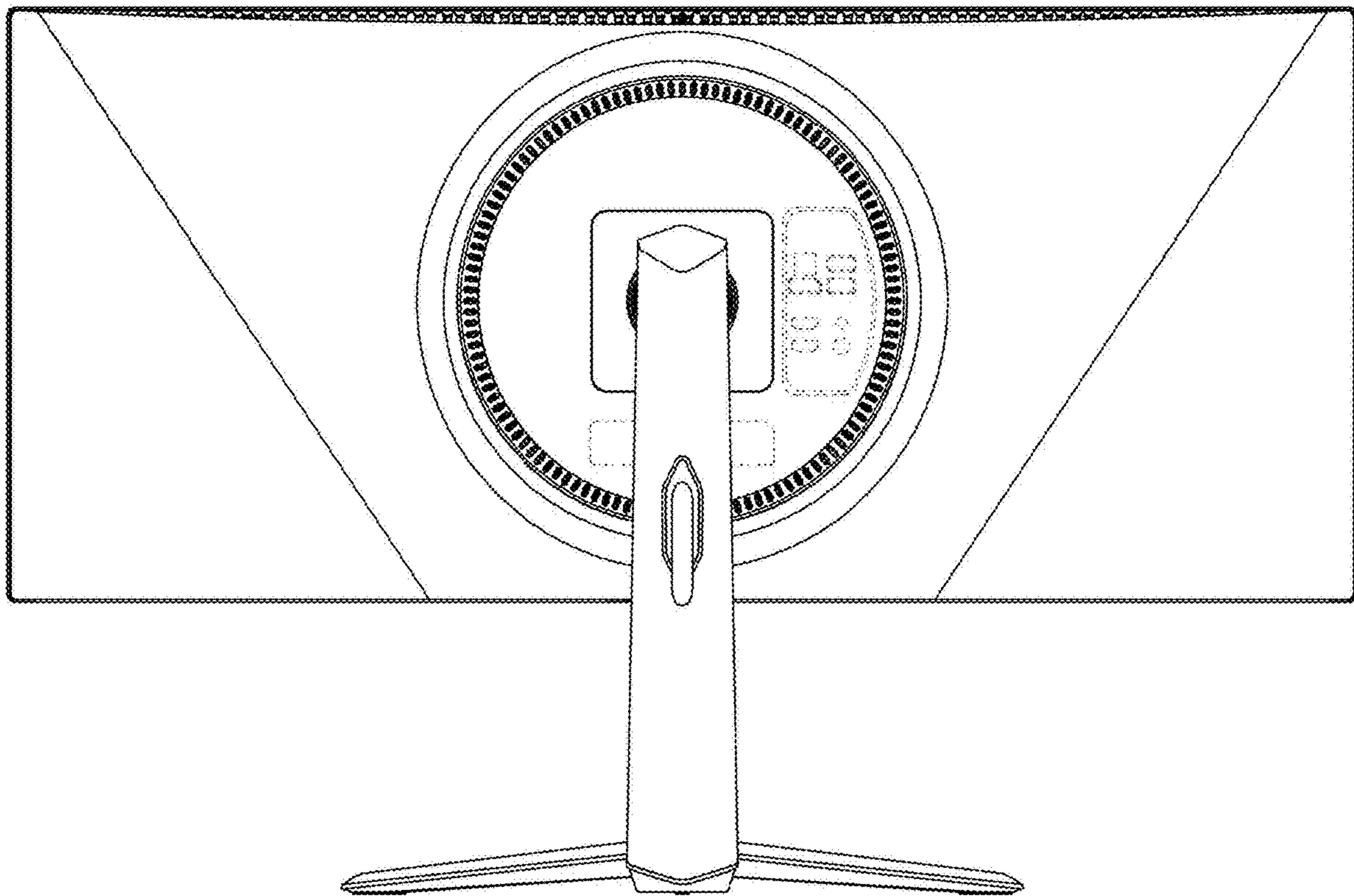
1.2



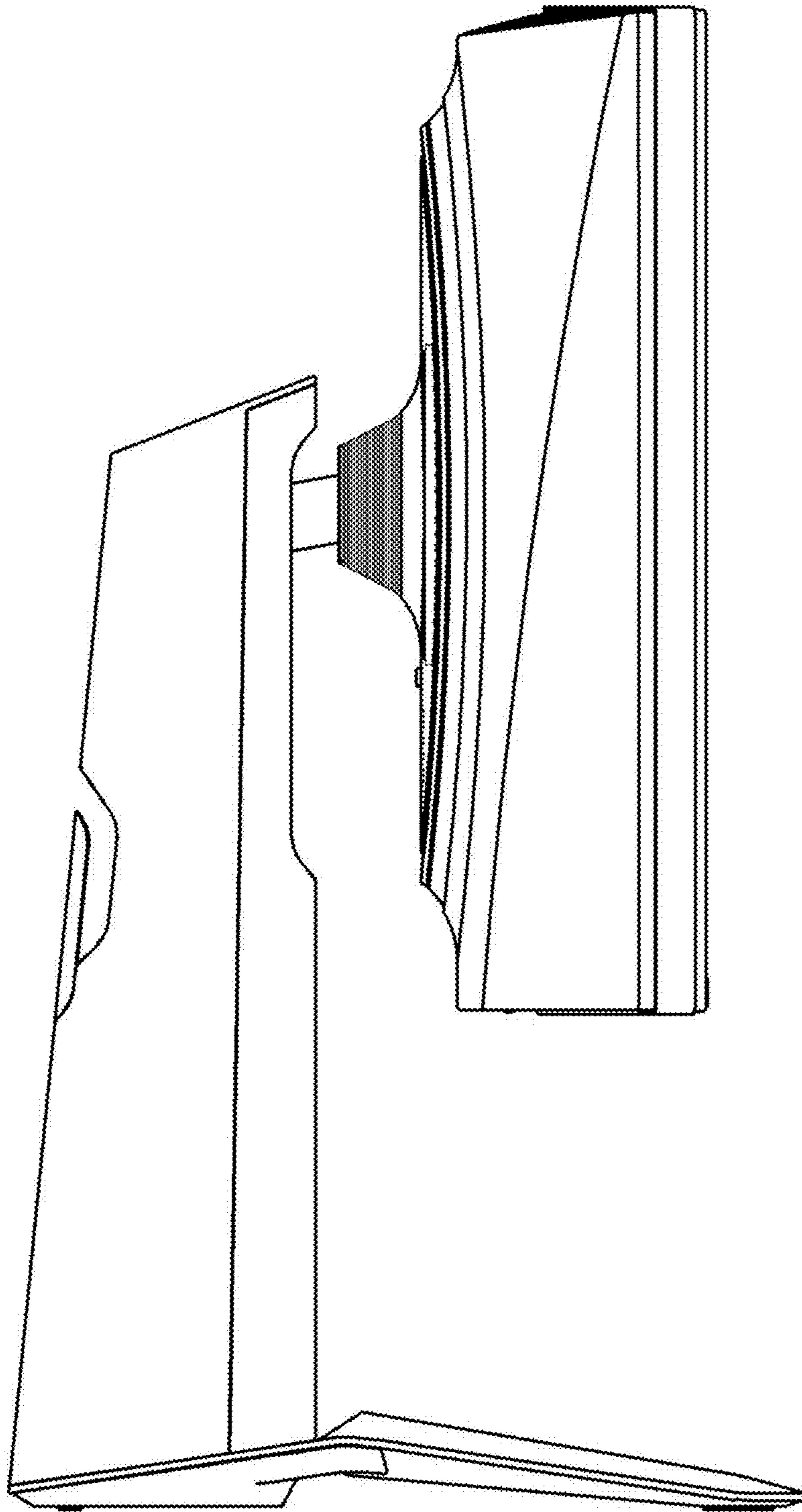
1.3



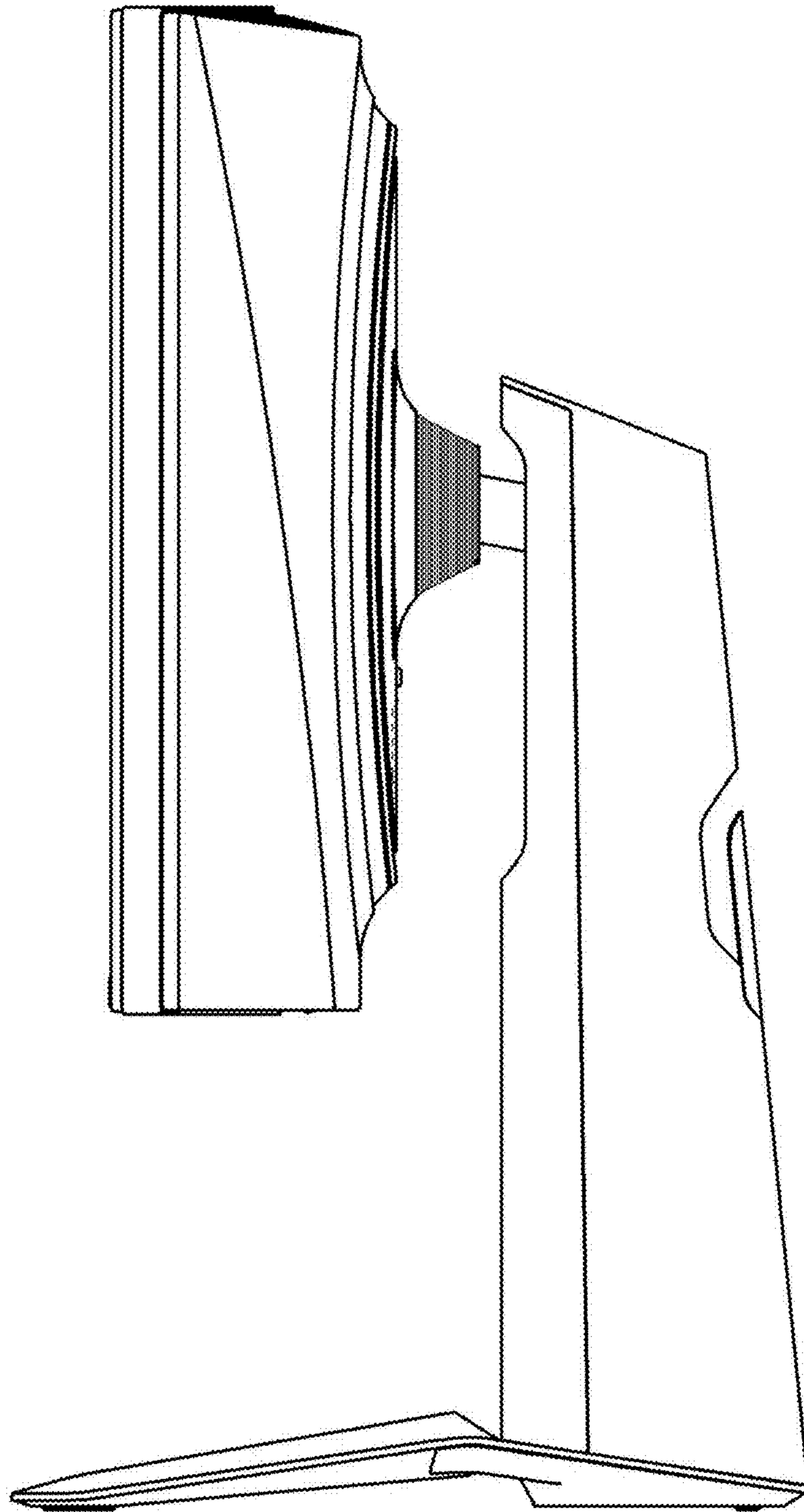
1.4



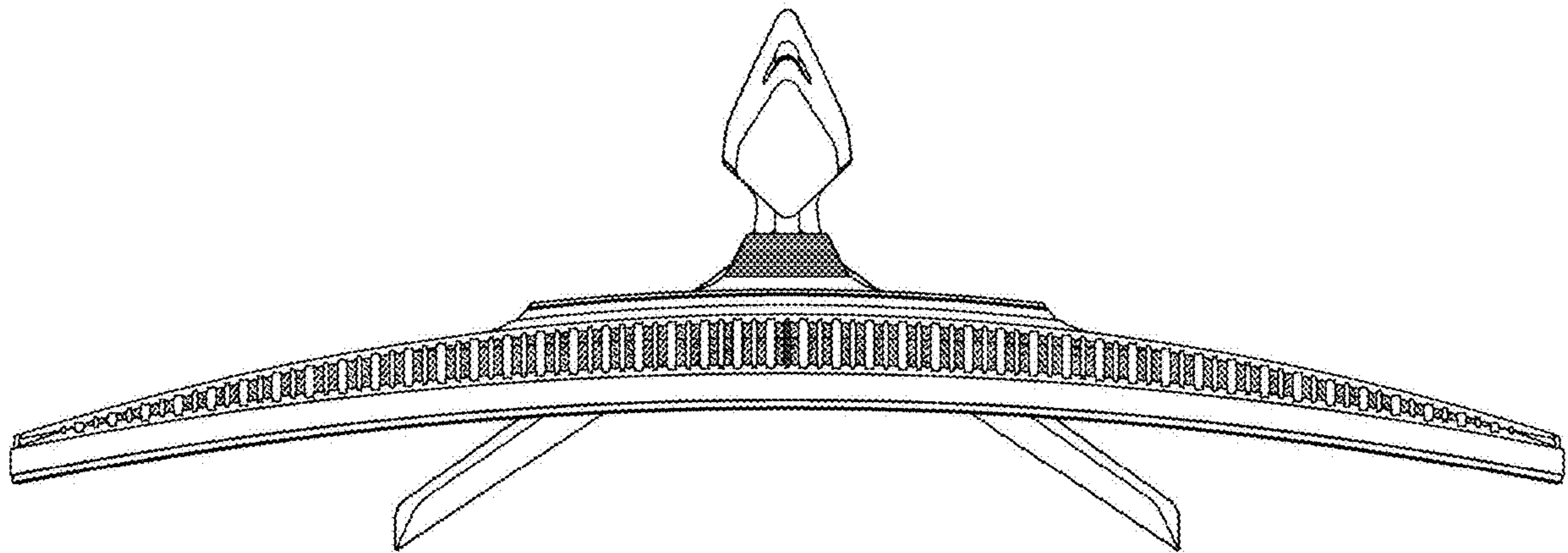
1.5



1.6



1.7



1.8

