



US00D944795S

(12) **United States Design Patent**  
**Xiong**

(10) **Patent No.:** **US D944,795 S**

(45) **Date of Patent:** **\*\* Mar. 1, 2022**

(54) **MONITOR**

(71) Applicant: **Lijun Xiong**, Jingzhou (CN)

(72) Inventor: **Lijun Xiong**, Jingzhou (CN)

(\*\*) Term: **15 Years**

(21) Appl. No.: **29/703,362**

(22) Filed: **Aug. 27, 2019**

(51) **LOC (13) Cl.** ..... **14-02**

(52) **U.S. Cl.**  
USPC ..... **D14/371**

(58) **Field of Classification Search**  
USPC ..... D14/300, 305-307, 314, 336, 373,  
D14/375-376, 448, 450-451, 900-902,  
D14/126-127, 371, 203.8, 209.1, 302,  
D14/374; 40/406, 427; D20/39, 41-42;  
345/1.1, 1.3; 211/180, 207; 248/122.1,  
248/124.1, 220.21; 705/14.37-14.38,  
705/14.65, 16, 26.1; 348/150-151;  
D24/107-108, 163, 177-179, 186  
CPC ... E04H 1/1227; E04H 1/1272; E04H 1/1222;  
G09F 13/00; G09F 9/00; G09F 9/3023;  
G09F 9/3026; G09F 15/00; G06F 1/20;  
G06F 1/1601

See application file for complete search history.

(56) **References Cited**

**U.S. PATENT DOCUMENTS**

D187,221 S *	2/1960	Laub	.....	D10/103
4,569,572 A *	2/1986	Kopich	.....	H04N 5/65 348/373
5,121,253 A *	6/1992	Waintroob	.....	H04N 5/65 348/834
5,243,463 A *	9/1993	Waintroob	.....	H04N 5/65 348/E5.131
D385,543 S *	10/1997	Phirippidis	.....	D14/239
D411,753 S *	6/1999	Jobin	.....	D14/449
5,997,145 A *	12/1999	Mora	.....	G02B 5/00 348/842

D431,536 S *	10/2000	Feasey	.....	D14/239
6,144,418 A *	11/2000	Kappel	.....	G02B 27/027 348/834
D586,350 S *	2/2009	Matsui	.....	D14/449
D611,473 S *	3/2010	Lee	.....	D14/371
D640,215 S *	6/2011	Hanson-Abbott	.....	D14/126

(Continued)

**FOREIGN PATENT DOCUMENTS**

CN	304461446	*	1/2018
CN	305734504	*	4/2020
CN	305868757	*	6/2020

**OTHER PUBLICATIONS**

7" FPV Monitor for DJI Drones, Lilliput, bhphotovideo.com, author unlisted, published on Sep. 9, 2015 © 2000-2020 B&H Foto & Electronics, online, site visited Dec. 26, 2020. Available at URL: [https://www.bhphotovideo.com/c/product/1124185-REG/lilliput\\_664\\_w\\_7\\_fpv\\_monitor.html](https://www.bhphotovideo.com/c/product/1124185-REG/lilliput_664_w_7_fpv_monitor.html) (Year: 2015).\*

*Primary Examiner* — Holly E Thurman  
*Assistant Examiner* — Altaira J Swangin

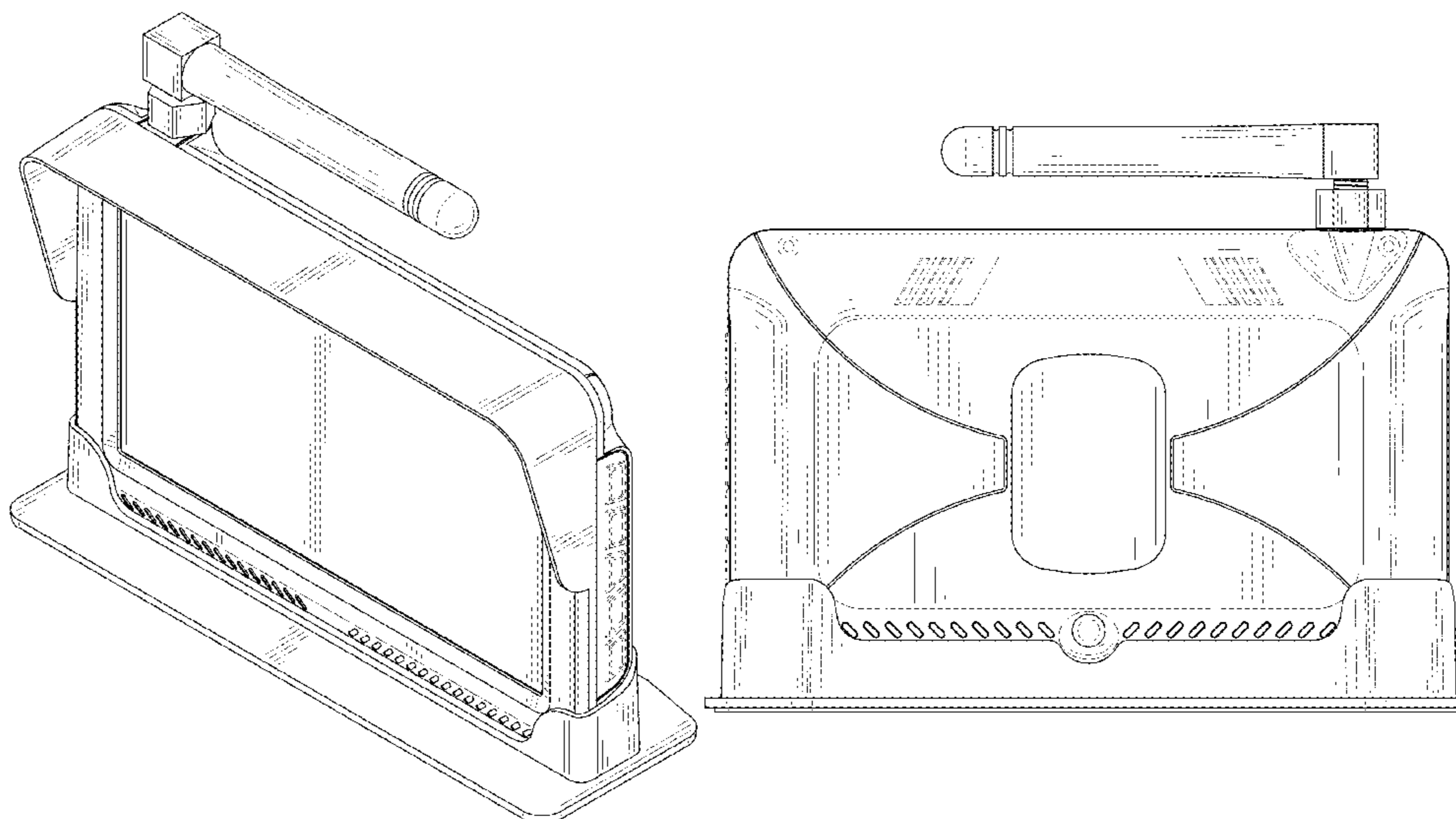
(57) **CLAIM**

The ornamental design for a monitor, as shown and described.

**DESCRIPTION**

FIG. 1 is a perspective view of a monitor showing my design;  
FIG. 2 is a front view thereof;  
FIG. 3 is a back view thereof;  
FIG. 4 is a left side view thereof;  
FIG. 5 is a right side view thereof;  
FIG. 6 is a top view thereof; and,  
FIG. 7 is a bottom view thereof.  
The broken lines shown in the drawings depict portions of the monitor in which the design is embodied that form no part of the claimed design.

**1 Claim, 7 Drawing Sheets**



(56)

**References Cited**

U.S. PATENT DOCUMENTS

D654,922 S *	2/2012	Nguyen .....	D14/449
D730,852 S *	6/2015	Park .....	D14/126
D757,669 S *	5/2016	Bouroullec .....	D14/126
D757,671 S *	5/2016	Bouroullec .....	D14/126
D790,551 S *	6/2017	Hoejlund-Hansen .....	D14/440
D804,473 S *	12/2017	Moon .....	D14/371
D852,870 S *	7/2019	Medlen .....	D16/219
D877,155 S *	3/2020	Law .....	D14/449
D887,299 S *	6/2020	Wei .....	D10/104.2

\* cited by examiner

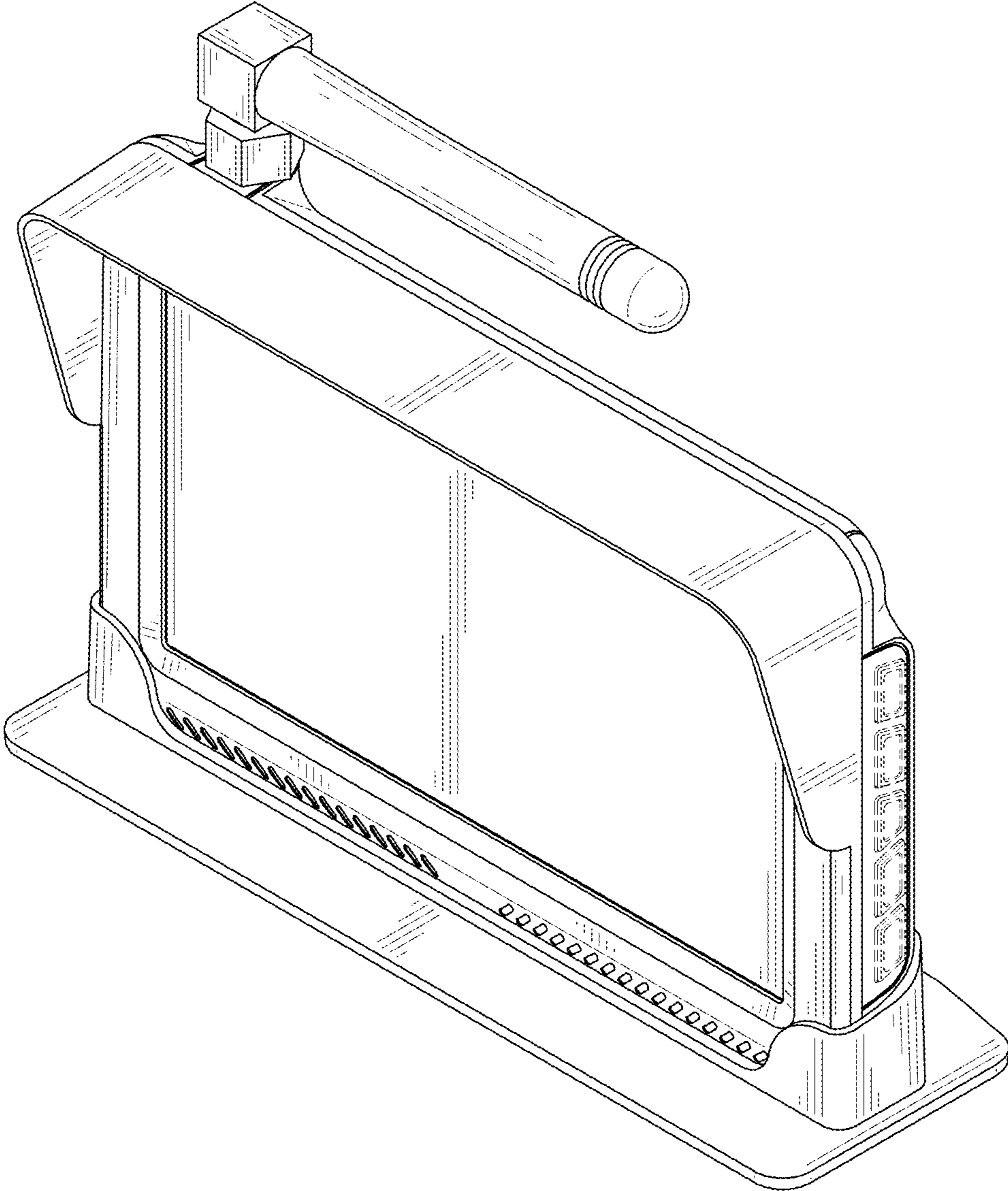


FIG. 1

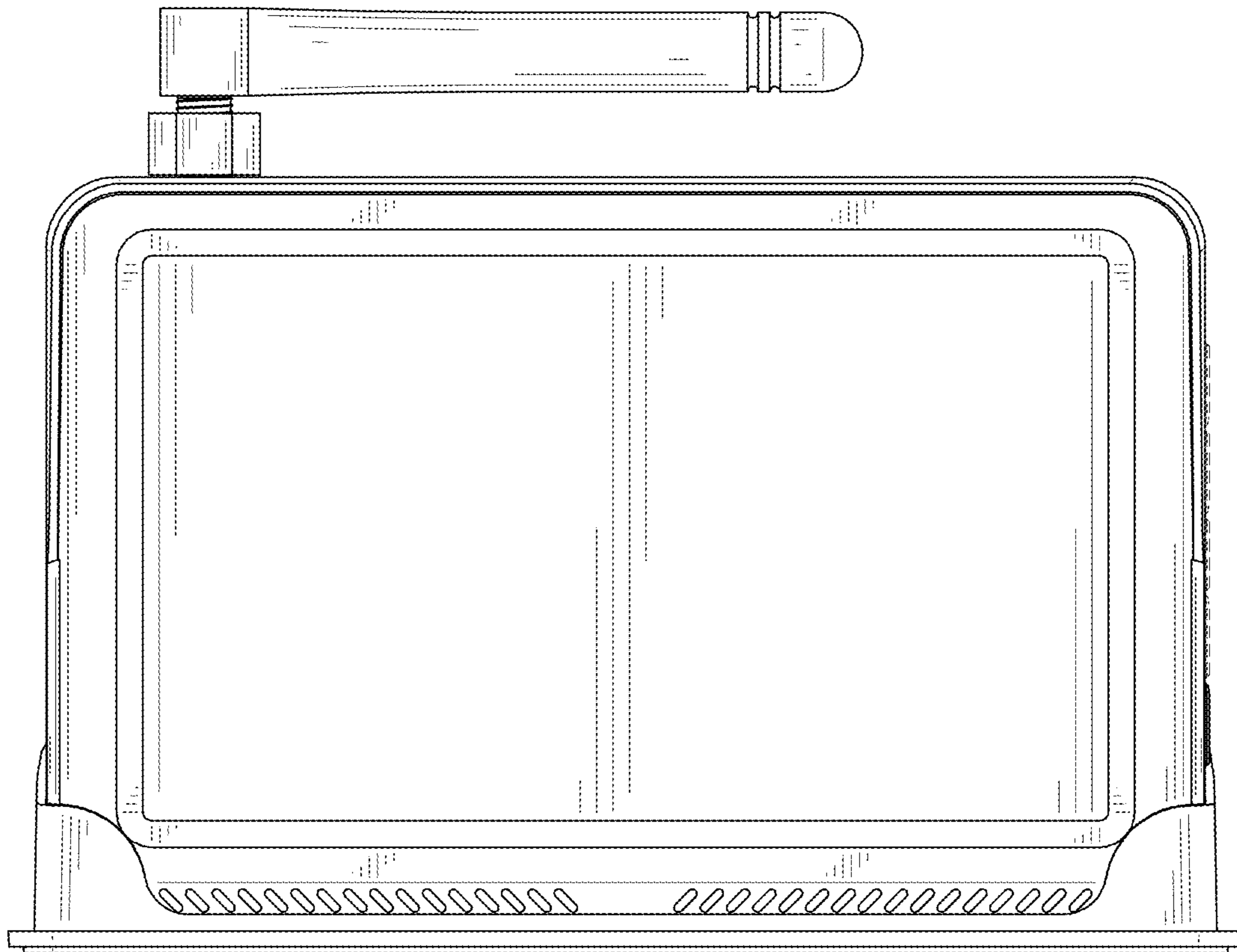


FIG. 2

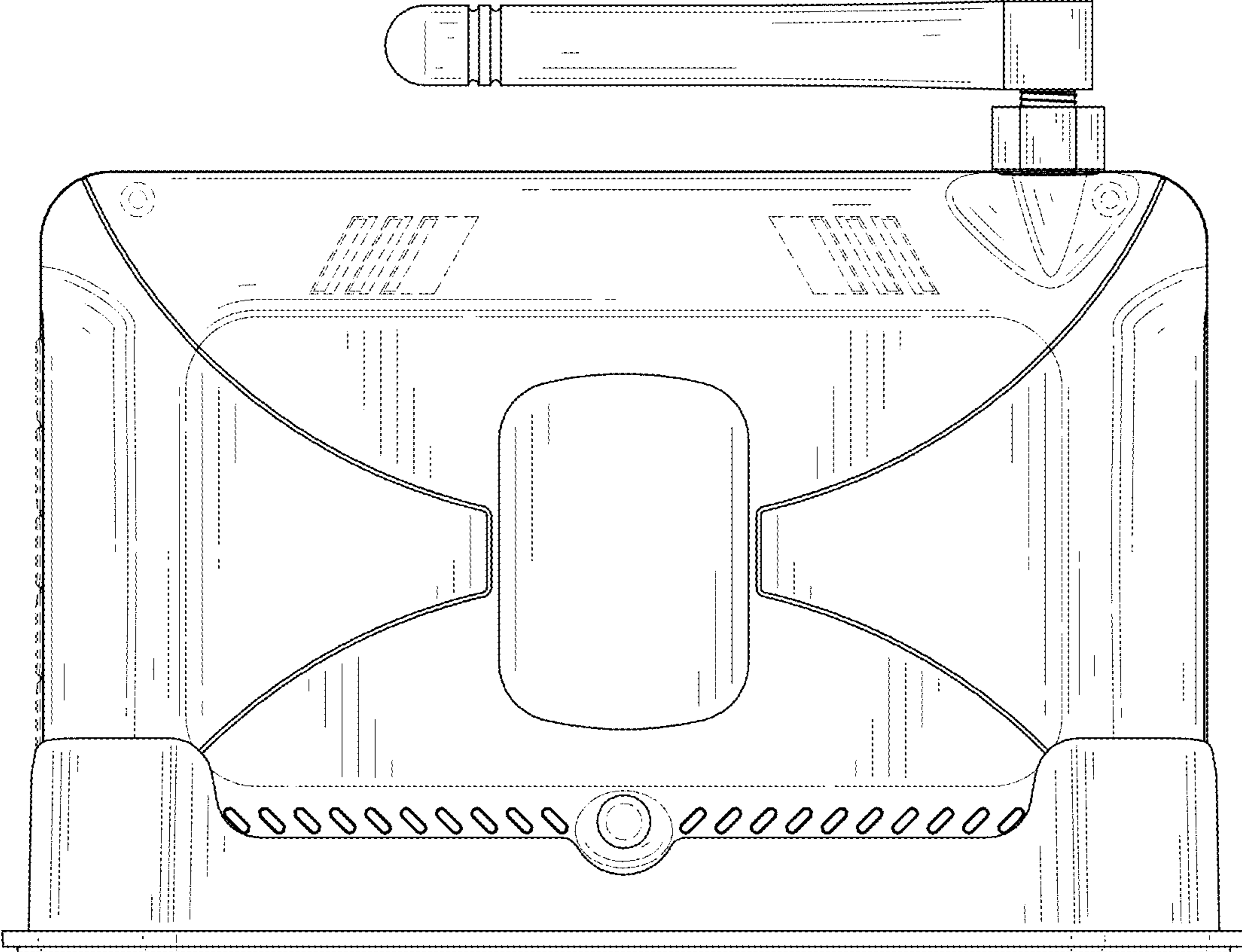


FIG. 3

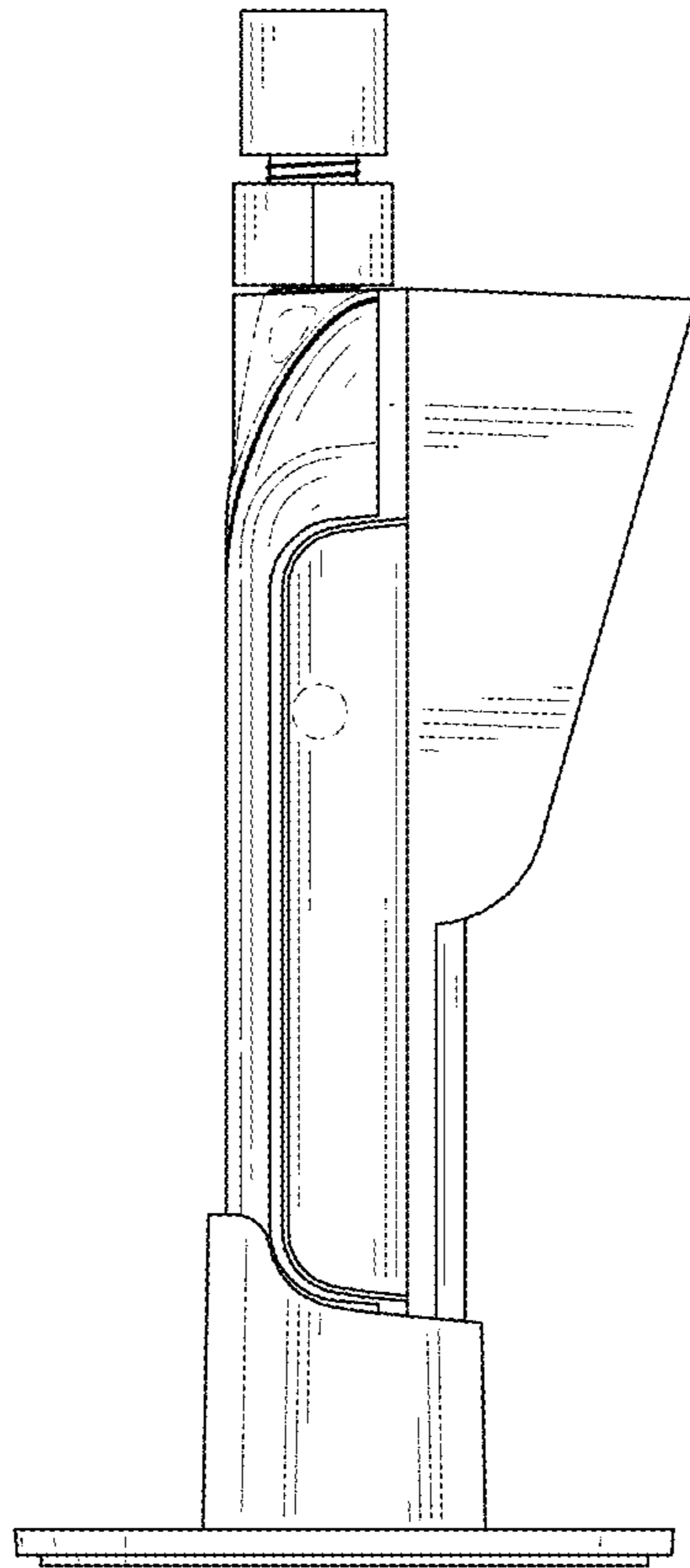


FIG. 4

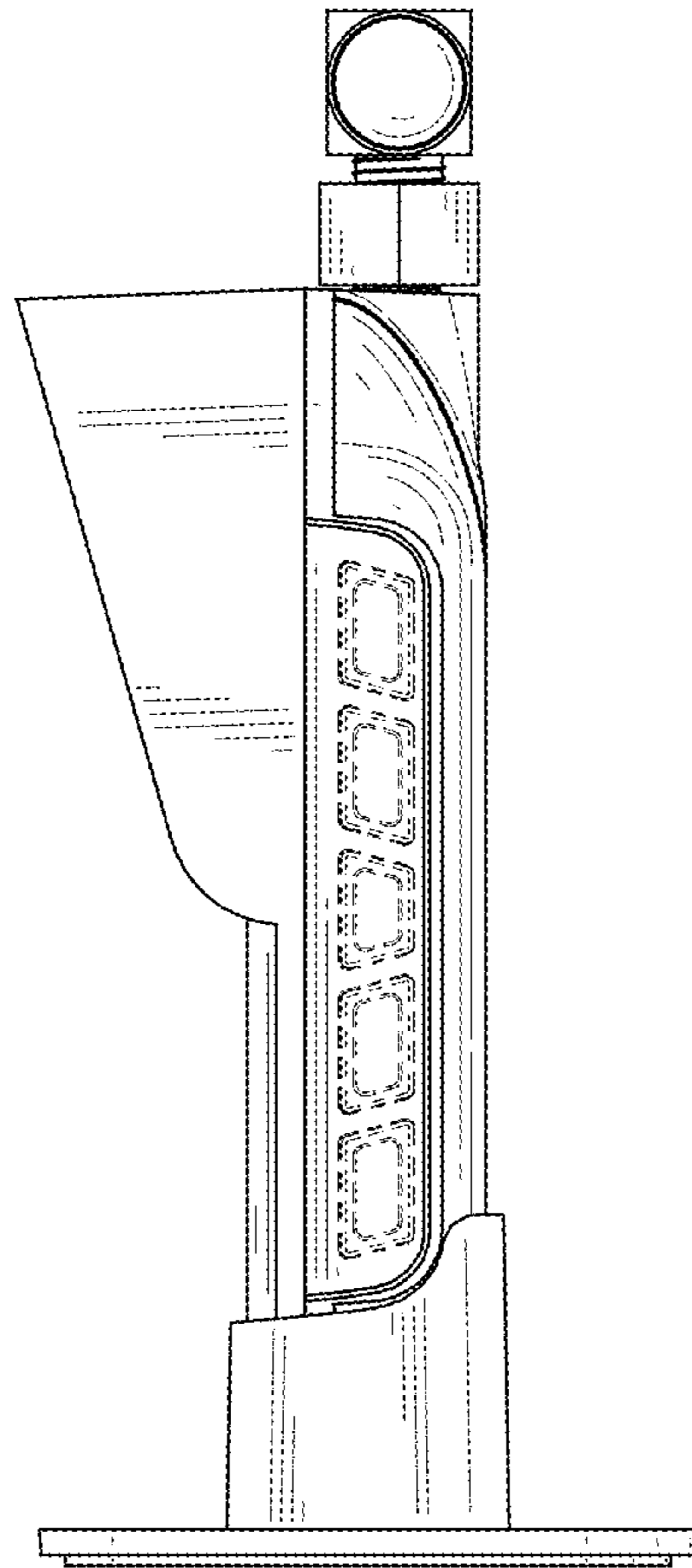


FIG. 5

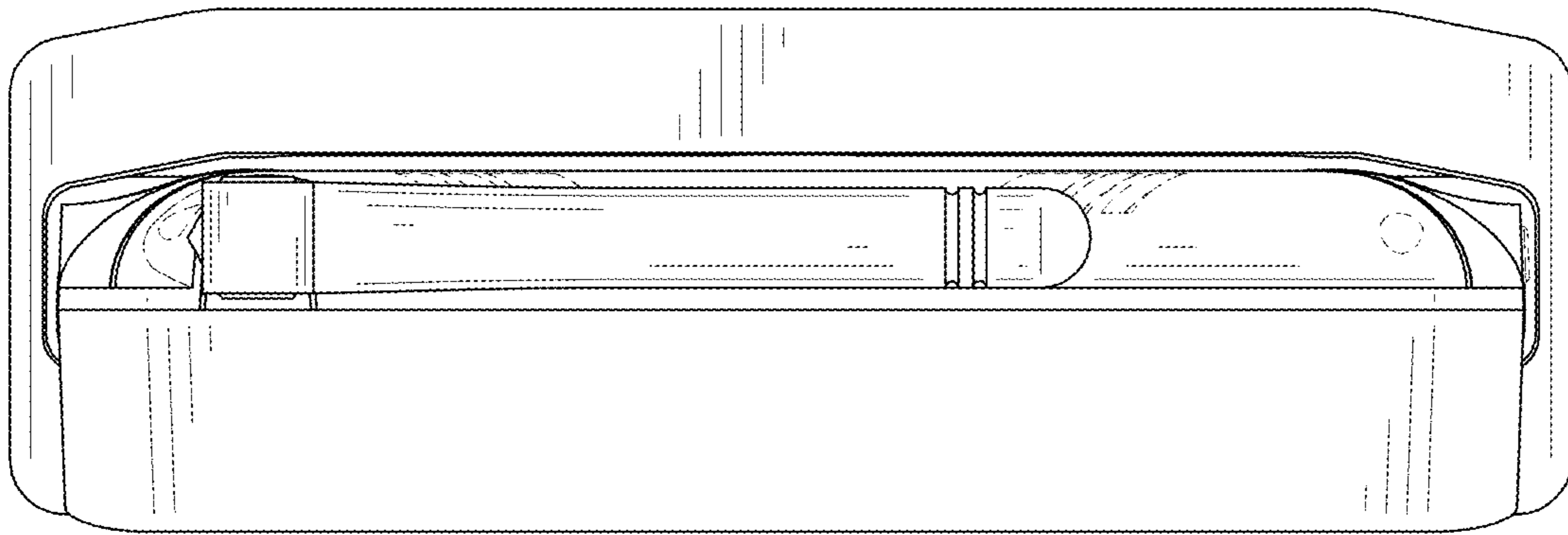


FIG. 6



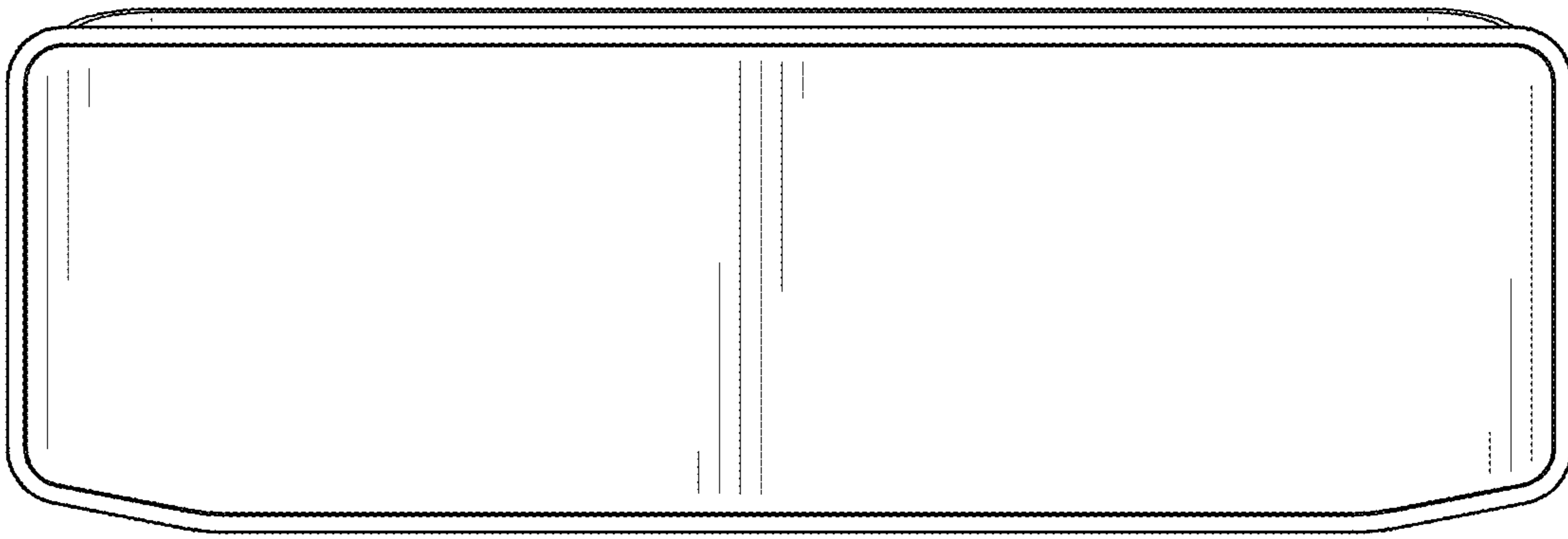


FIG. 7